



US00D426820S

United States Patent [19] Zeitman

[11] **Patent Number: Des. 426,820**
[45] **Date of Patent: ** Jun. 20, 2000**

[54] **TELEPHONE**

[75] Inventor: **Josh Zeitman**, Brooklyn, N.Y.

[73] Assignee: **Lenox Electronics Corp.**, Brooklyn, N.Y.

[**] Term: **14 Years**

[21] Appl. No.: **29/106,414**

[22] Filed: **Jun. 15, 1999**

[51] **LOC (7) Cl.** **14-03**

[52] **U.S. Cl.** **D14/148**

[58] **Field of Search** D14/137, 138,
D14/148, 147, 149-151, 140-142, 240,
241; 379/433-436, 419, 420, 428, 440

[56] **References Cited**

U.S. PATENT DOCUMENTS

D. 276,157	10/1984	Marshall	D14/148
D. 278,433	4/1985	Perkins	D14/148
D. 281,242	11/1985	Hova	D14/148
D. 287,124	12/1986	Becker	D14/148
D. 287,362	12/1986	Rittenhouse et al.	D14/148
D. 299,026	12/1988	Iino	D14/148
D. 301,874	6/1989	Roegner	D14/148
D. 303,383	9/1989	Reichenstein	D14/138
D. 313,800	1/1991	Appleby	D14/151
D. 324,383	3/1992	Konno	D14/138
D. 324,681	3/1992	Klucznik et al.	D14/141

D. 324,682	3/1992	Renard et al.	D14/151
D. 353,374	12/1994	Heijnen	D14/149
D. 384,327	9/1997	Nakui	D13/103
D. 391,254	2/1998	Rosati et al.	D14/148
D. 392,637	3/1998	Rosati et al.	D14/148
D. 403,678	1/1999	Hawley et al.	D14/149

OTHER PUBLICATIONS

Big Button Slim Design Telephone, dated Nov. 1998, Model PR5001, Conair Corp.

Spiegel Catalog, date Jun. 1992, p. 521, Panasonic Cordless Phone.

Primary Examiner—Jeffrey Asch

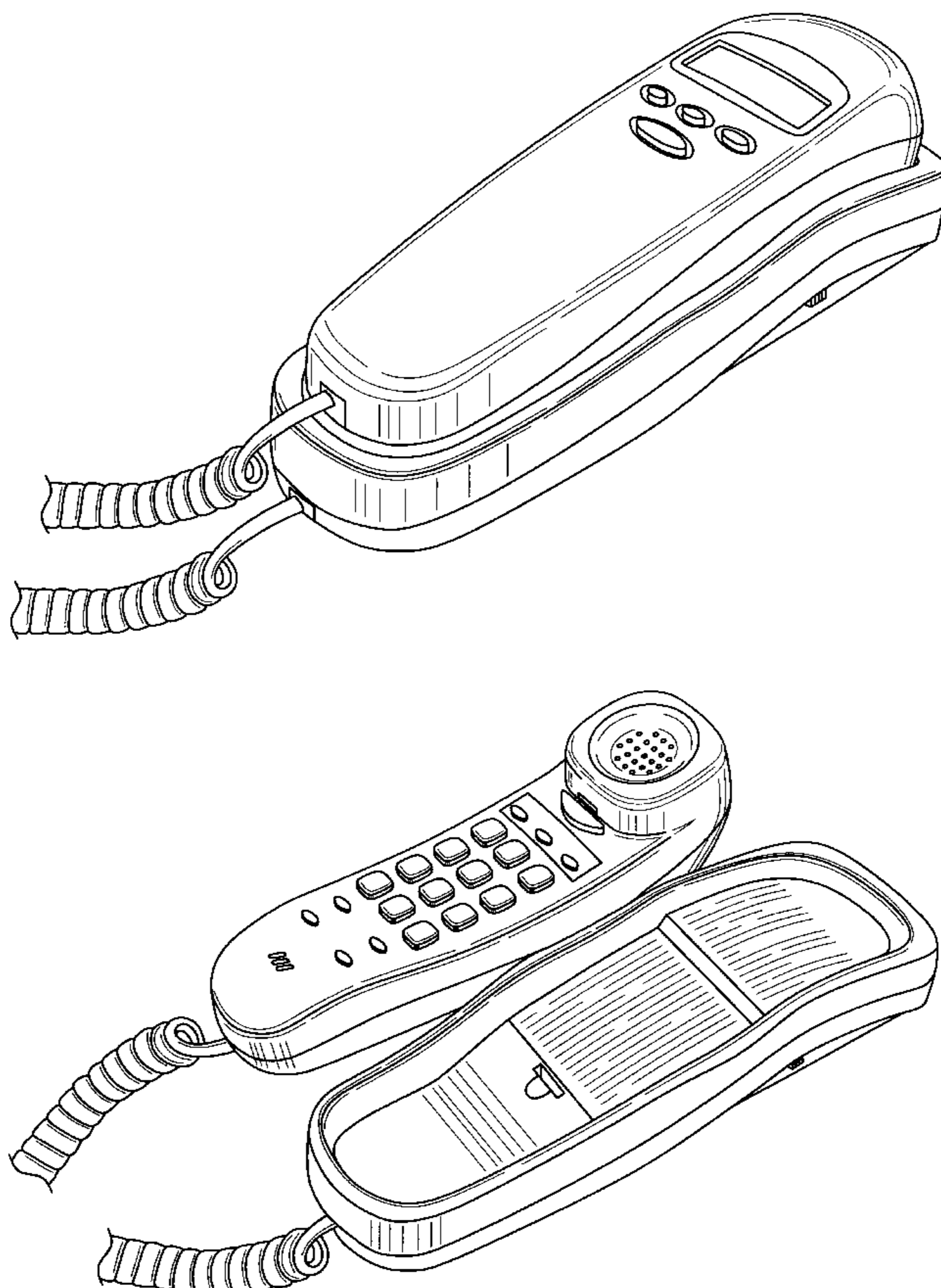
[57] **CLAIM**

The ornamental design for a “telephone”, as shown and described.

DESCRIPTION

FIG. 1 is a bottom perspective view of a telephone showing my design, with the cord removed for clarity of illustration; FIG. 2 is a top perspective view thereof; FIG. 3 is a left side view thereof, with the cord attached; FIG. 4 is a right side view thereof; FIG. 5 is a front view thereof; FIG. 6 is a back view thereof; FIG. 7 is a perspective view thereof; and, FIG. 8 is another perspective view thereof, in a separated configuration.

1 Claim, 7 Drawing Sheets



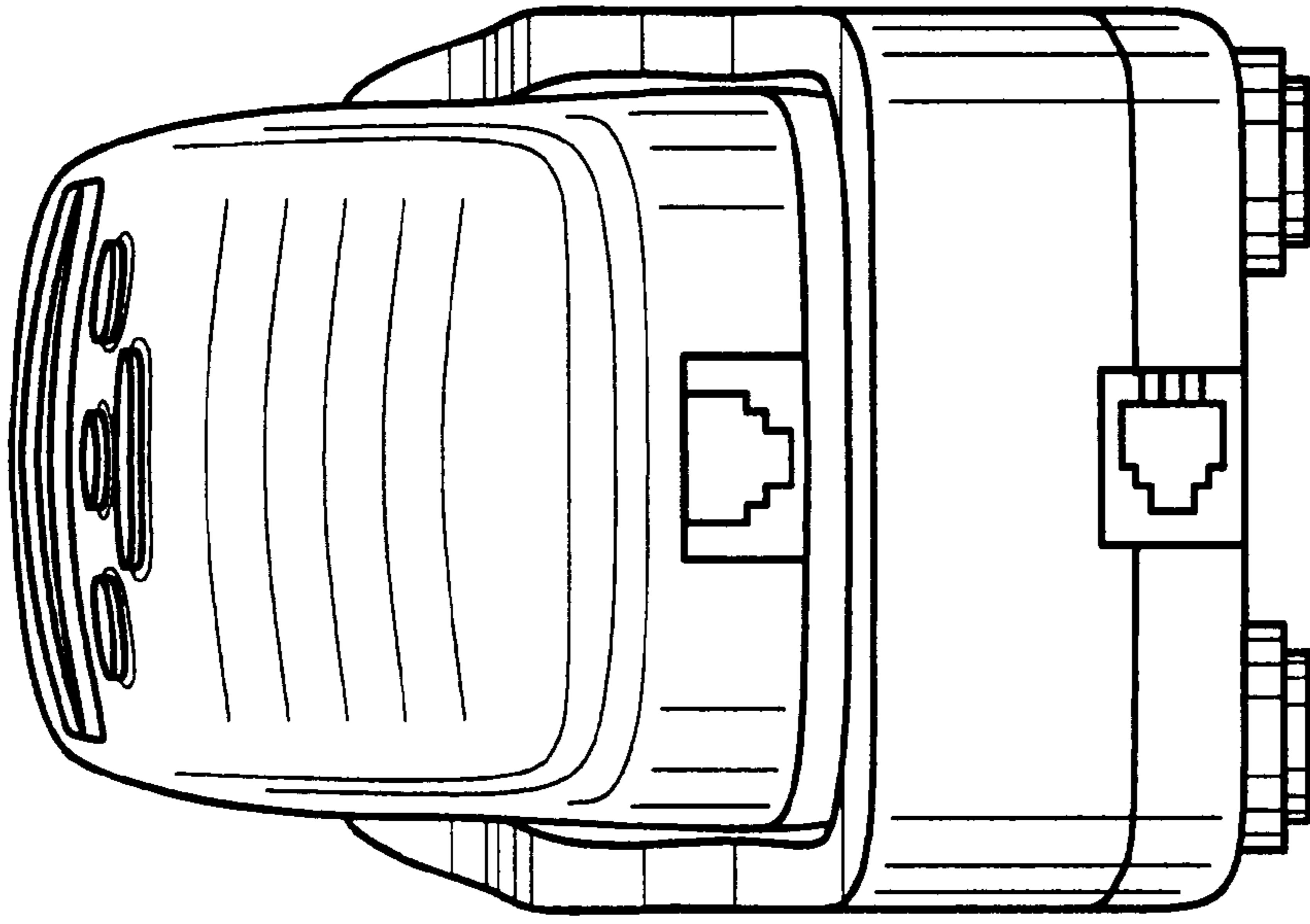


FIG. 1

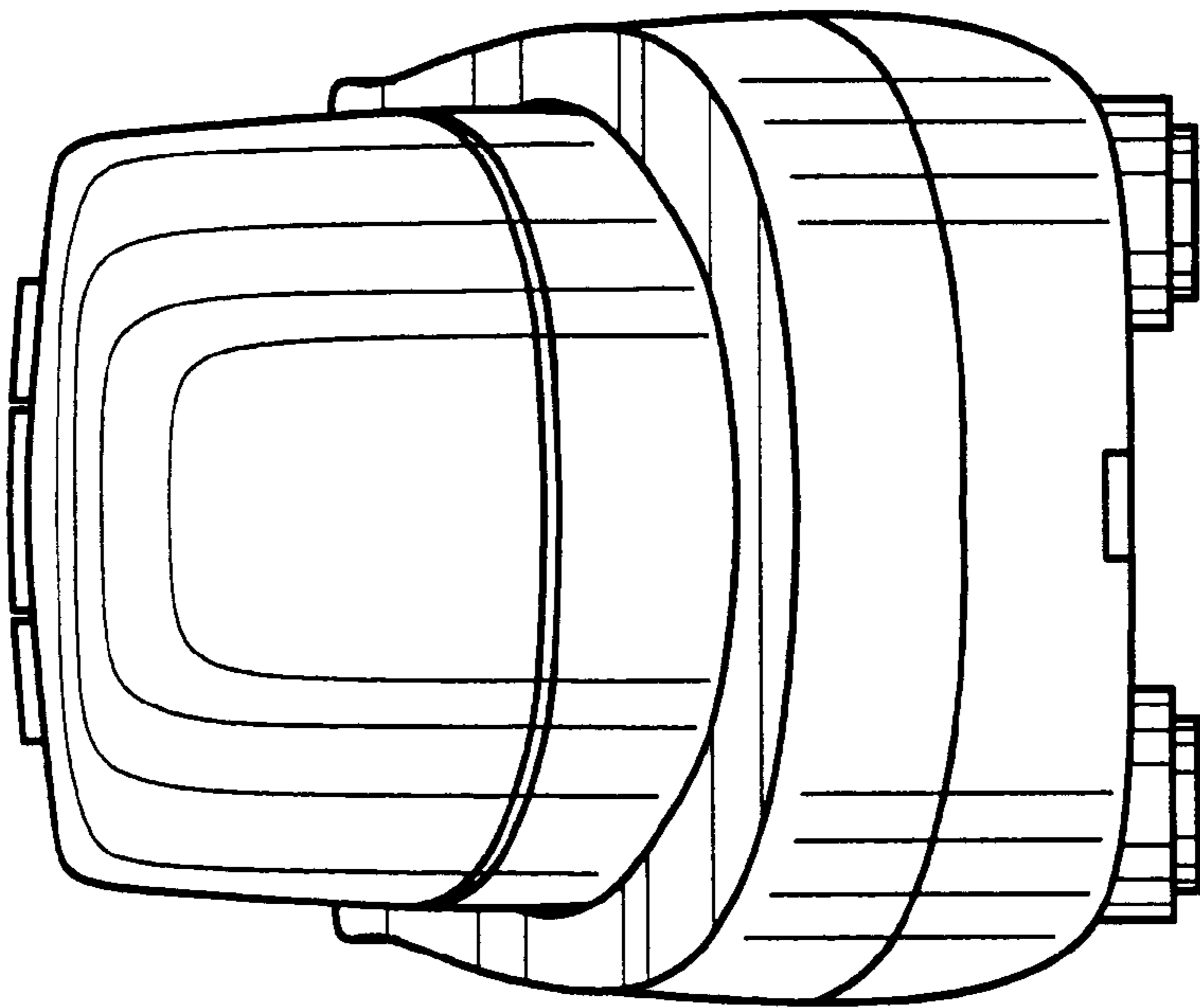


FIG. 2

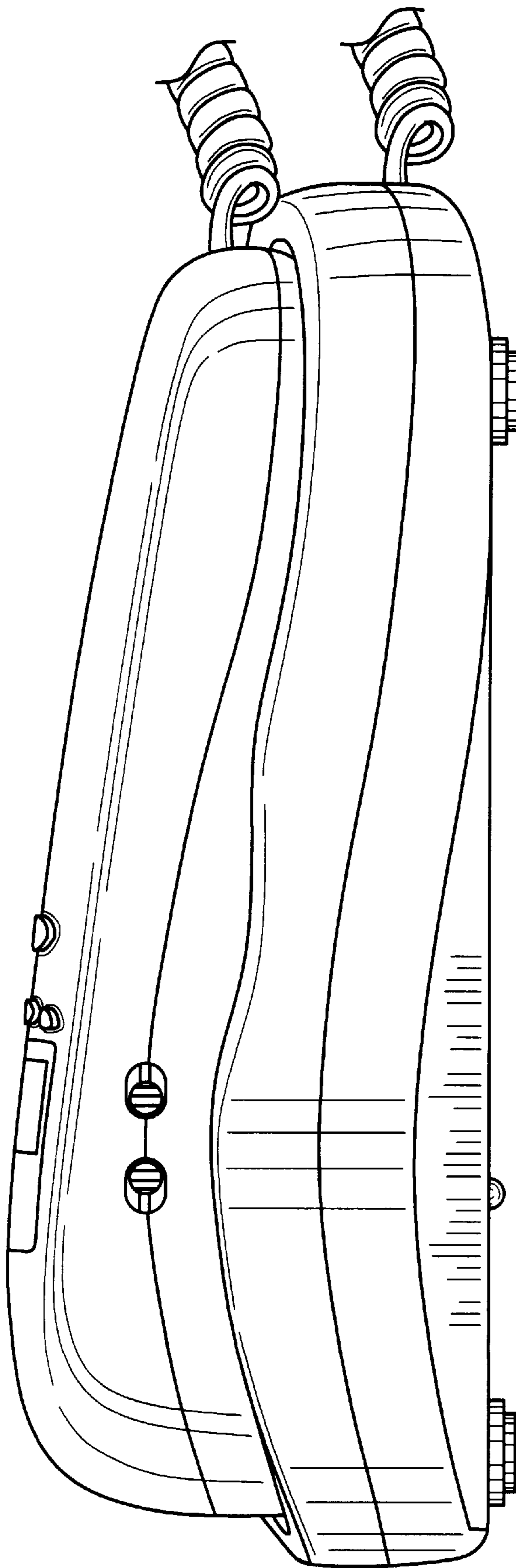


FIG. 3

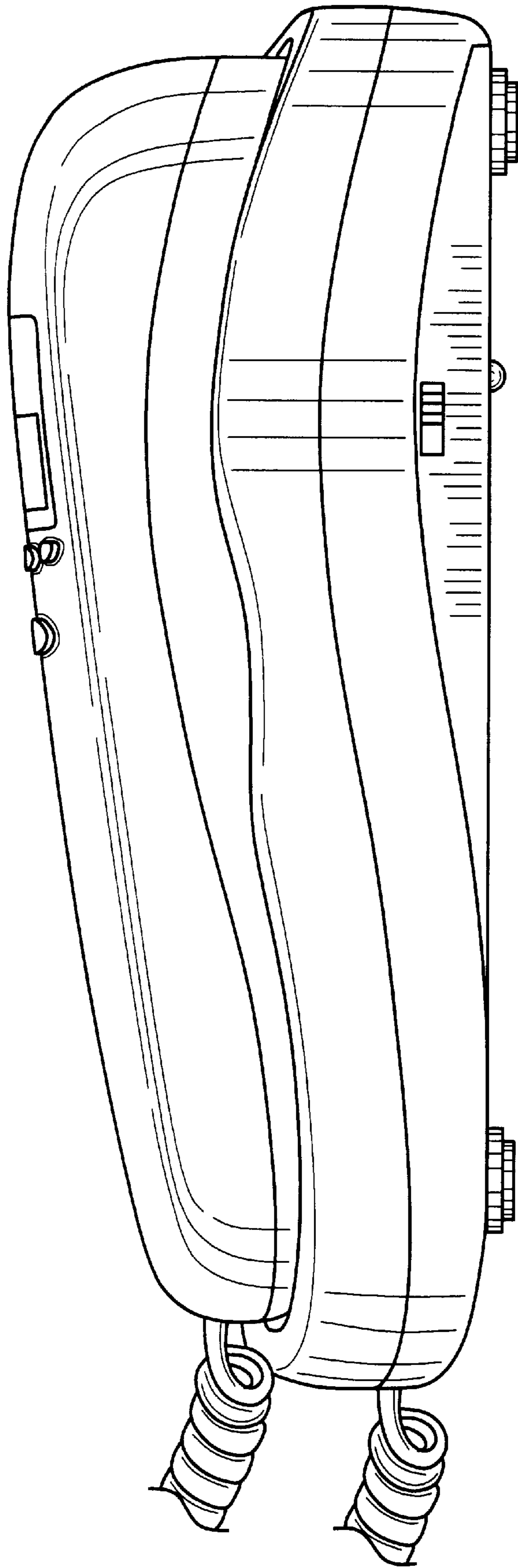


FIG. 4

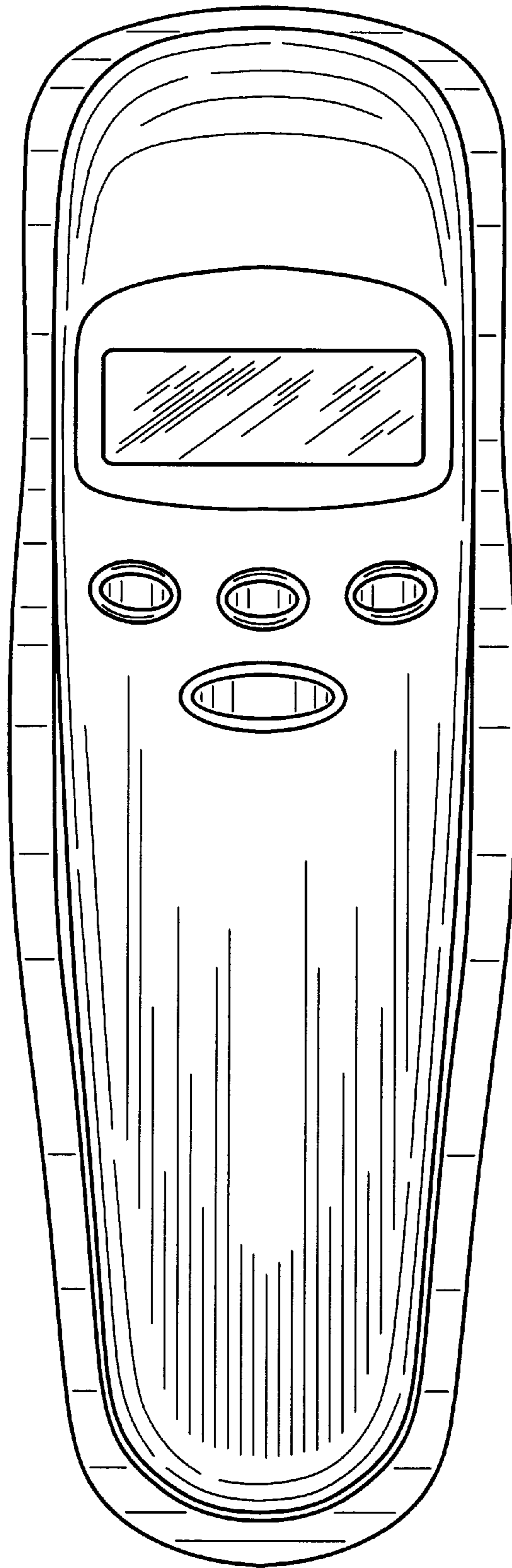


FIG. 5

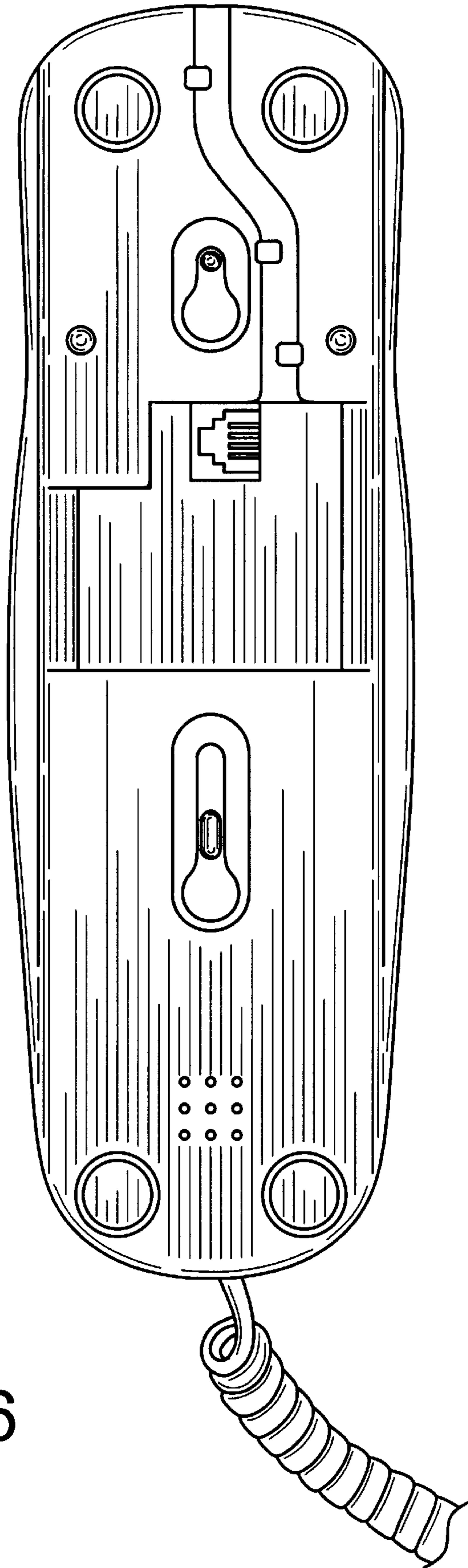


FIG. 6

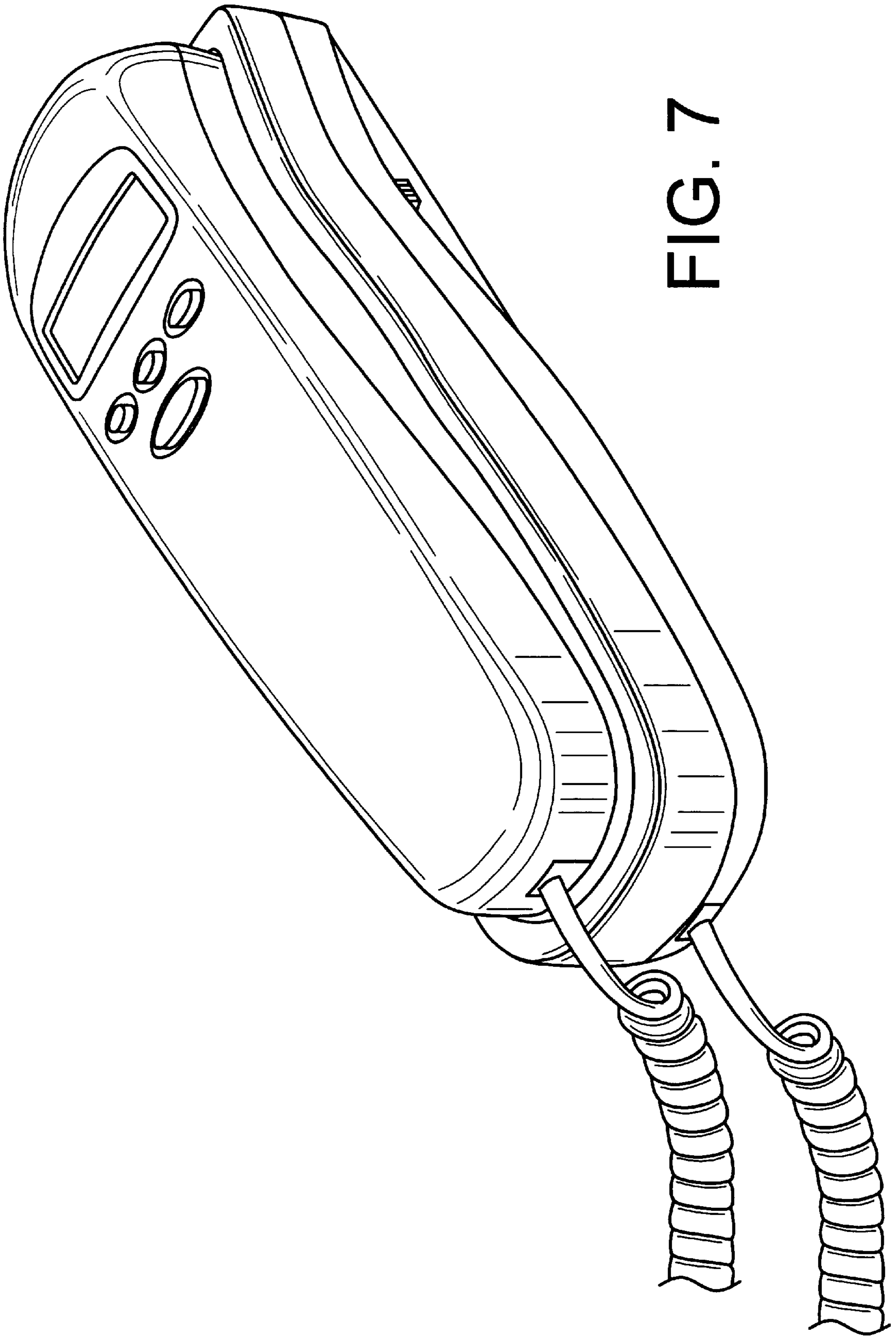


FIG. 7

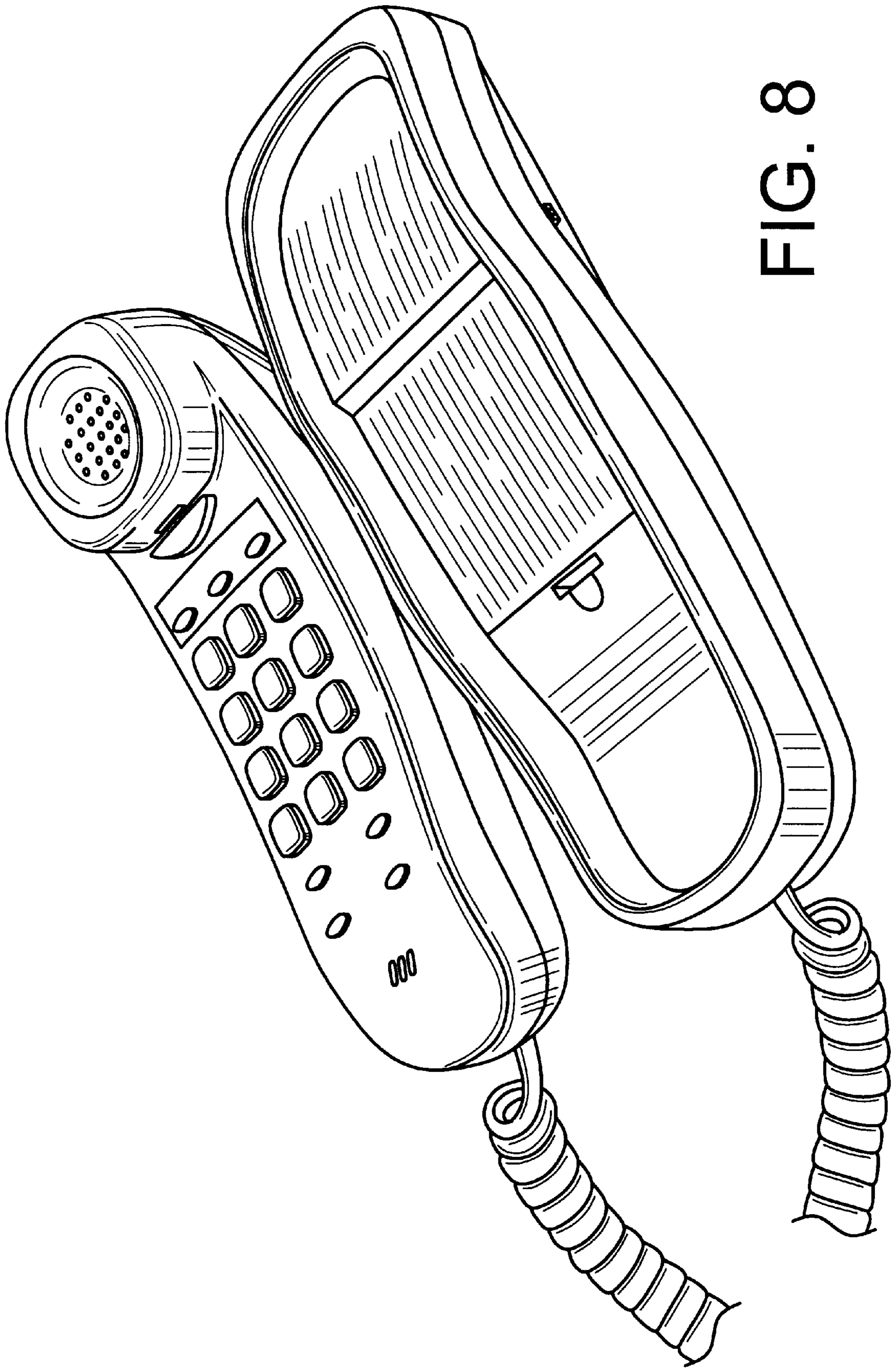


FIG. 8