



US00D426817S

United States Patent [19]

Sugano et al.

[11] Patent Number: Des. 426,817

[45] Date of Patent: ** Jun. 20, 2000

[54] ELECTRONIC COMPUTER

[75] Inventors: **Yoshihiko Sugano**, Tokyo; **Mikio Kamegi**, Kawasaki; **Yuuki Shibata**, Tokyo; **Shogo Suzuki**, Matsudo, all of Japan; **Kenji Shimano**, Irvine, Calif.

[73] Assignee: **Kabushiki Kaisha Toshiba**, Kawasaki, Japan

[**] Term: **14 Years**

[21] Appl. No.: **29/102,179**

[22] Filed: **Mar. 18, 1999**

[30] Foreign Application Priority Data

Sep. 30, 1998 [JP] Japan 10-28071

[51] LOC (7) Cl. **14-02**

[52] U.S. Cl. **D14/106**

[58] Field of Search D14/100, 106, D14/113, 115; D18/1, 7; 235/145 A, 145 R; 341/22, 23; 345/104, 156, 168, 169; 361/680-686; 364/708.1; 400/486, 489

[56] References Cited

U.S. PATENT DOCUMENTS

- D. 310,213 8/1990 Tsukada et al. .
- D. 324,674 3/1992 Iino .
- D. 331,919 12/1992 Sekino et al. .
- D. 332,783 1/1993 Krakower et al. .
- D. 336,465 6/1993 Kim .

(List continued on next page.)

FOREIGN PATENT DOCUMENTS

- M 88 00 660 10/1988 Germany .
- M 88 02 901 5/1989 Germany .
- M 93 09 976 7/1994 Germany .
- M 94 05 001 12/1994 Germany .
- 684172 8/1986 Japan .
- 763838 6/1989 Japan .
- 763840 6/1989 Japan .
- 894357 3/1994 Japan .
- 894947 3/1994 Japan .

- 981354 5/1997 Japan .
- 981843 5/1997 Japan .
- 982614 6/1997 Japan .
- 90-9679 6/1991 Rep. of Korea .
- 90-9680 6/1991 Rep. of Korea .
- 115780 7/1991 Rep. of Korea .
- 118262 9/1991 Rep. of Korea .
- 118263 9/1991 Rep. of Korea .
- 122562 1/1992 Rep. of Korea .
- 224002 5/1994 Taiwan .

OTHER PUBLICATIONS

Data General One Advertisement, dated Sep. 28, 1984.
 Nihon Keizai Shinbun (FLORA 1010MA) (Newspaper), Hitachi Seisakusyo, dated Feb. 16, 1995.
 Mitsubishi Maxy, The Architecture Extended—AX, dated May 15, 1990.
 Denpa Sinbun Nihon NCR, dated Oct. 27, 1993.
 Mitac—DX4/100MHz, dated Jul. 18, 1994.
 Texas Instruments, Travel Mate 6000 Series Mobile Computers, dated Oct. 9, 1996.

Primary Examiner—Freda Nunn
Attorney, Agent, or Firm—Banner & Witcoff, Ltd.

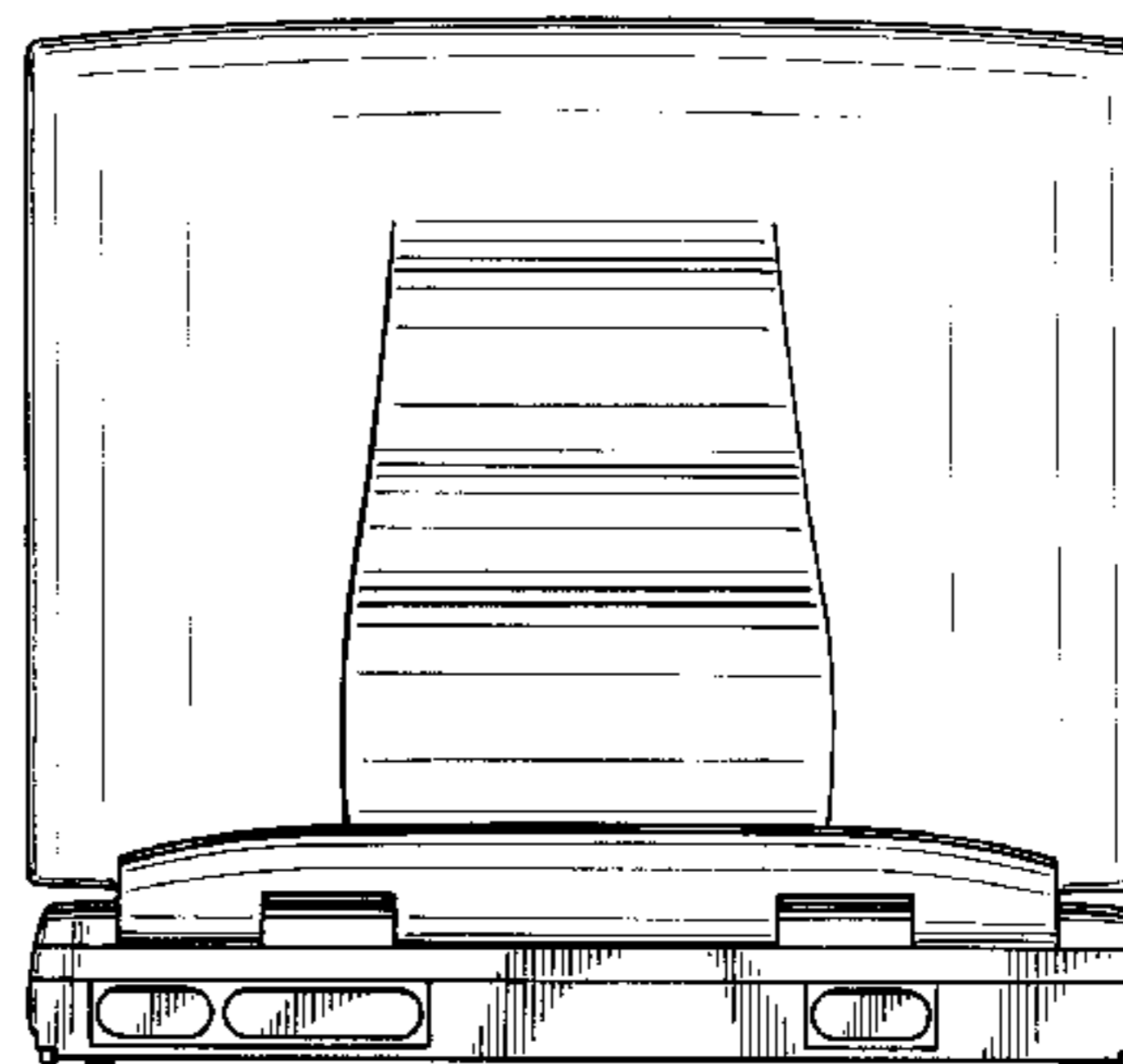
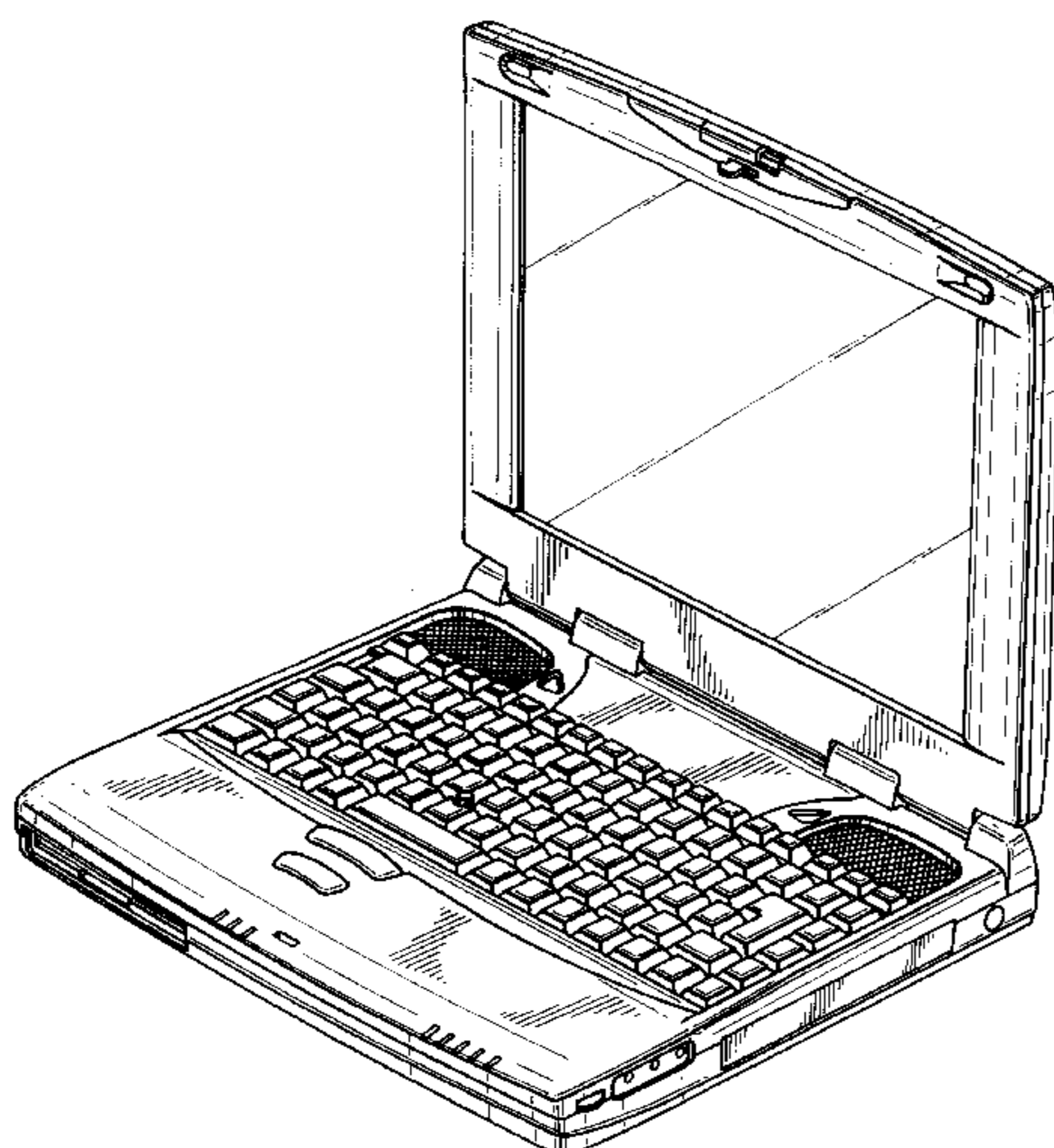
[57] CLAIM

The ornamental design for an electronic computer, as shown and described.

DESCRIPTION

FIG. 1 is a top, front and right side perspective view of an electronic computer showing our new design;
 FIG. 2 is a front elevational view thereof;
 FIG. 3 is a top plan view thereof;
 FIG. 4 is a bottom plan view thereof;
 FIG. 5 is a right side elevational view thereof;
 FIG. 6 is a left side elevational view thereof;
 FIG. 7 is a rear elevational view thereof;
 FIG. 8 is a top plan view in a closed position thereof;
 FIG. 9 is a front elevational view in the closed position thereof; and,
 FIG. 10 is a right side elevational view in the closed position thereof.

1 Claim, 4 Drawing Sheets



U.S. PATENT DOCUMENTS

D. 338,456	8/1993	Brunner et al. .	D. 368,470	4/1996	Kondo .
D. 338,660	8/1993	Youens et al. .	D. 372,020	7/1996	Iino .
D. 340,920	11/1993	Okuda et al. .	D. 372,466	8/1996	Chu .
D. 345,550	3/1994	Iino .	D. 374,433	10/1996	Shima et al. D14/106
D. 345,552	3/1994	Mundt .	D. 375,294	11/1996	Iino .
D. 346,369	4/1994	Iino .	D. 380,459	7/1997	Tanimura et al. D14/106
D. 349,278	8/1994	Wettrin .	D. 384,043	9/1997	Tamaki D14/106
D. 351,377	10/1994	Yu .	D. 386,480	11/1997	Daly et al. .
D. 355,171	2/1995	Derocher .	D. 388,401	12/1997	Tanaka .
D. 356,069	3/1995	Lee .	D. 395,868	7/1998	Iino .
D. 359,033	6/1995	Lee .	D. 396,703	8/1998	Han D14/106
D. 365,548	12/1995	Youens .	D. 398,908	9/1998	Iino .
			D. 401,572	11/1998	Tanaka .
			D. 402,277	12/1998	Iino .

FIG. 1

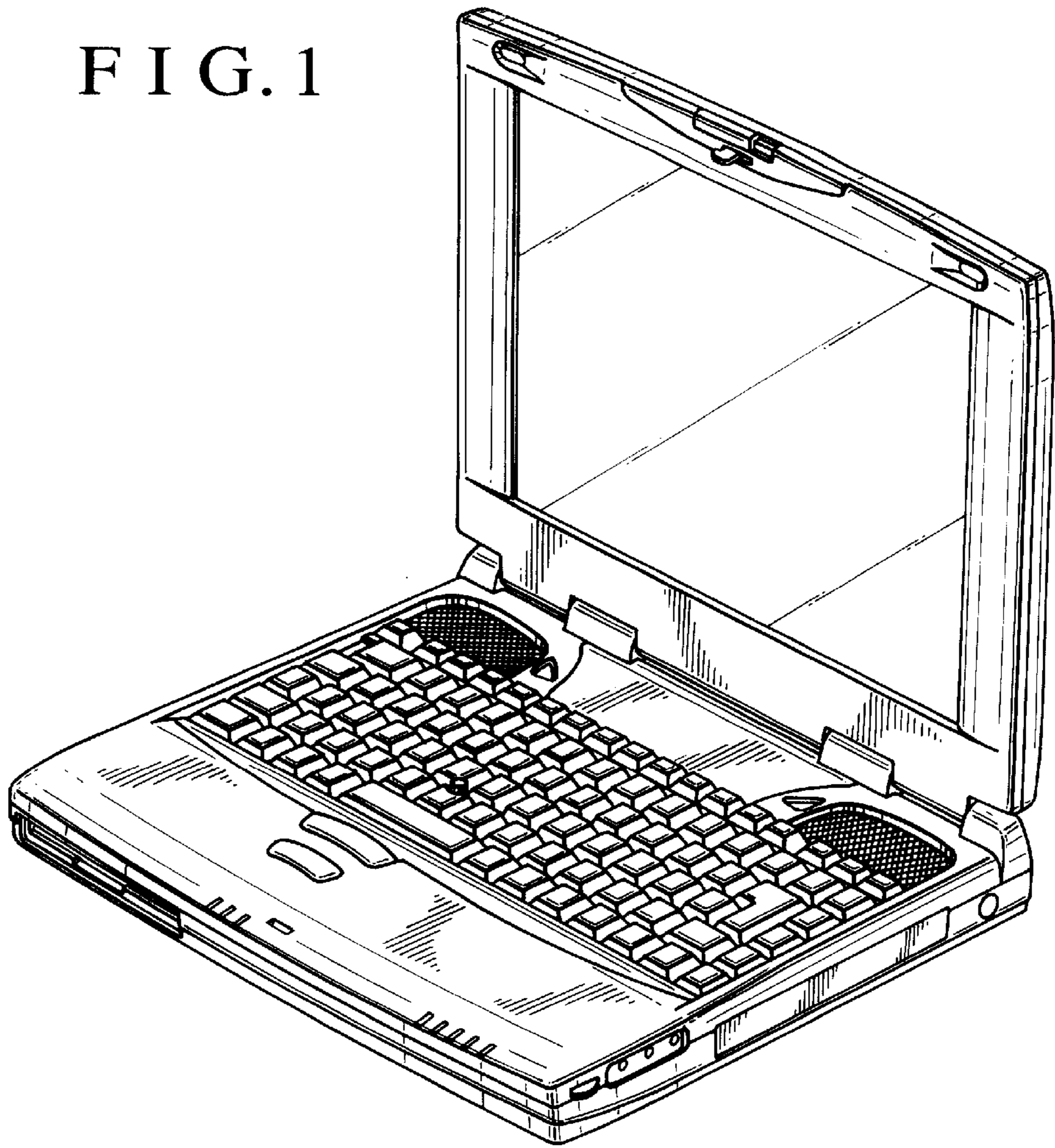


FIG. 2

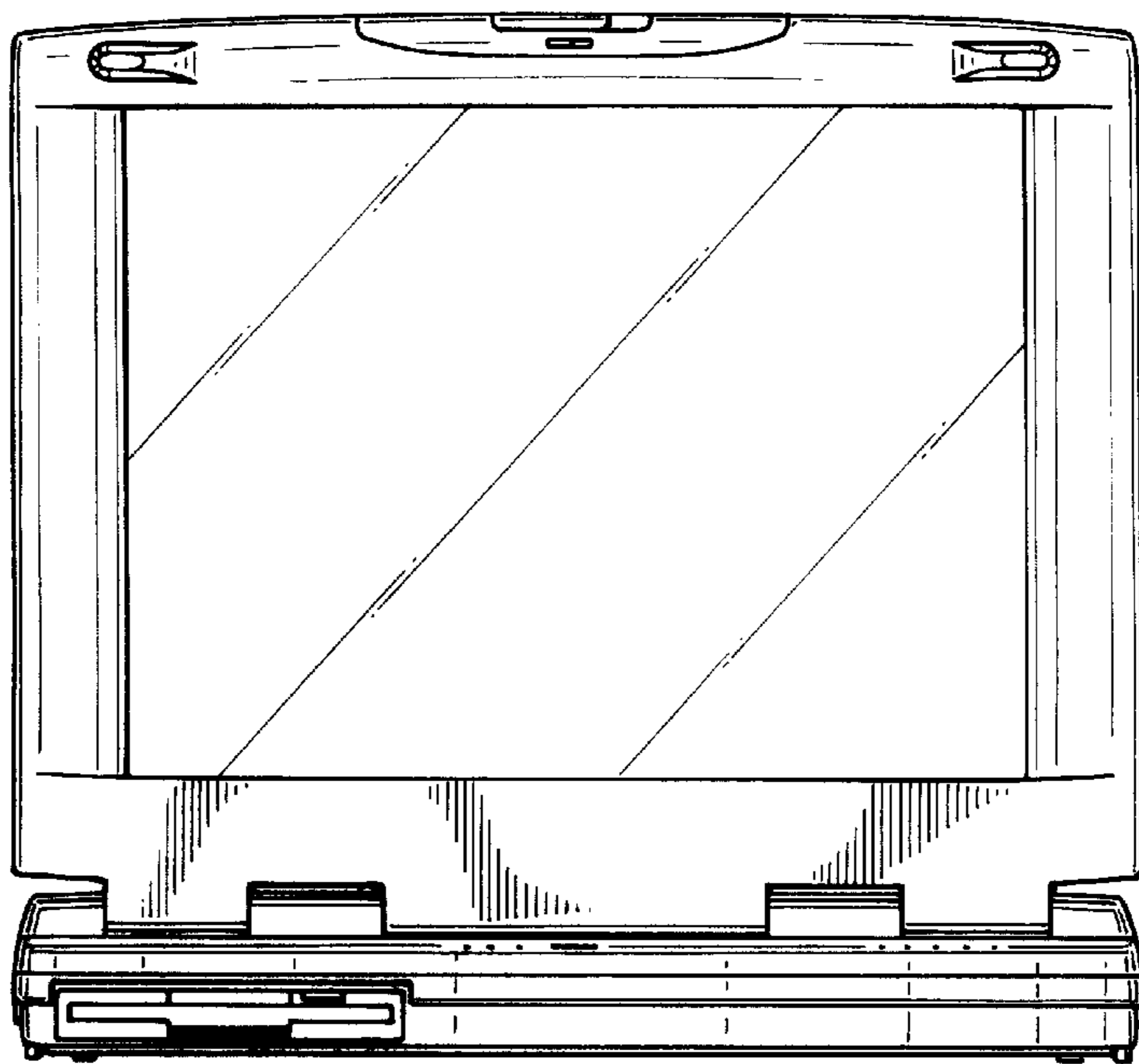


FIG. 3

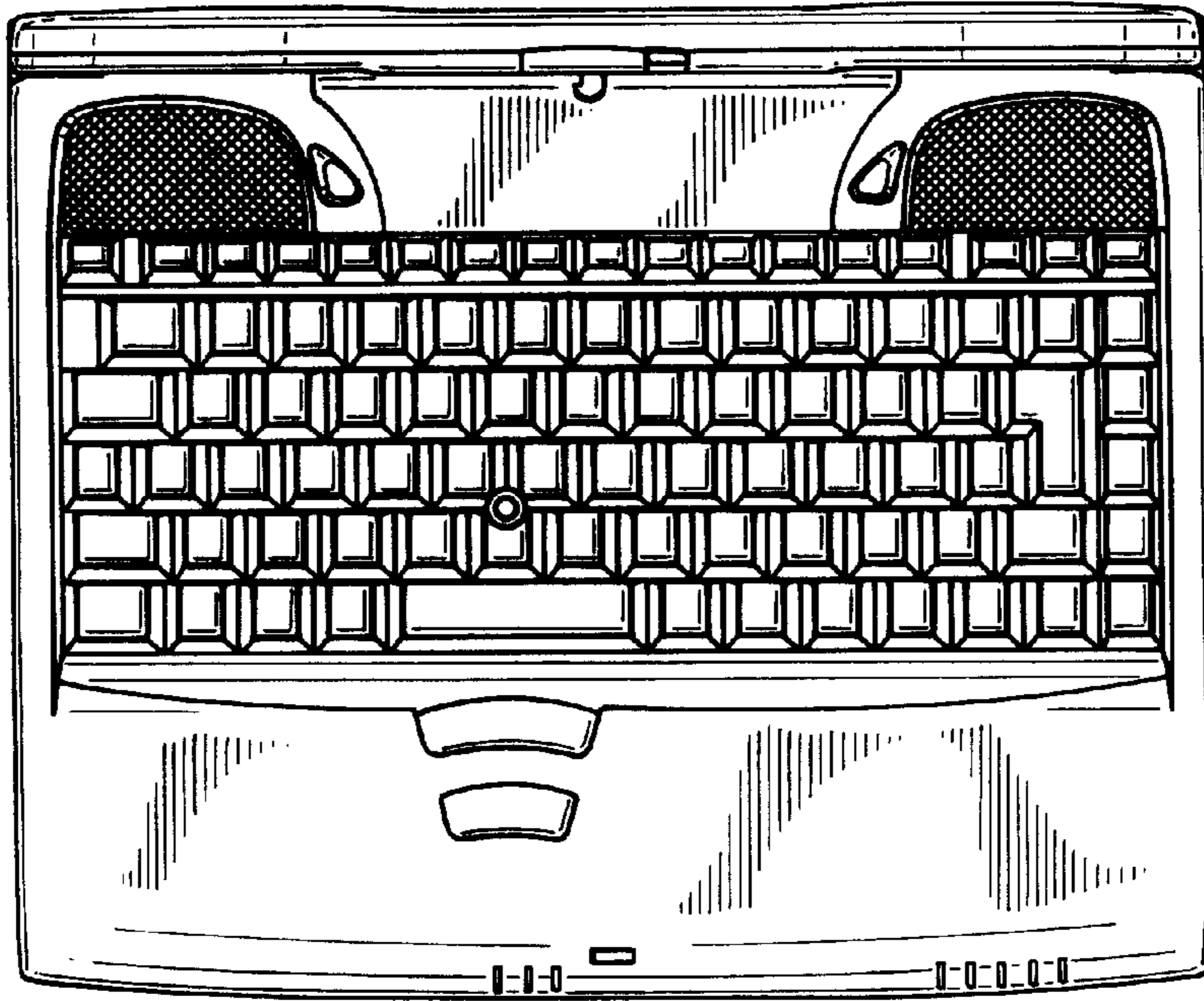


FIG. 4

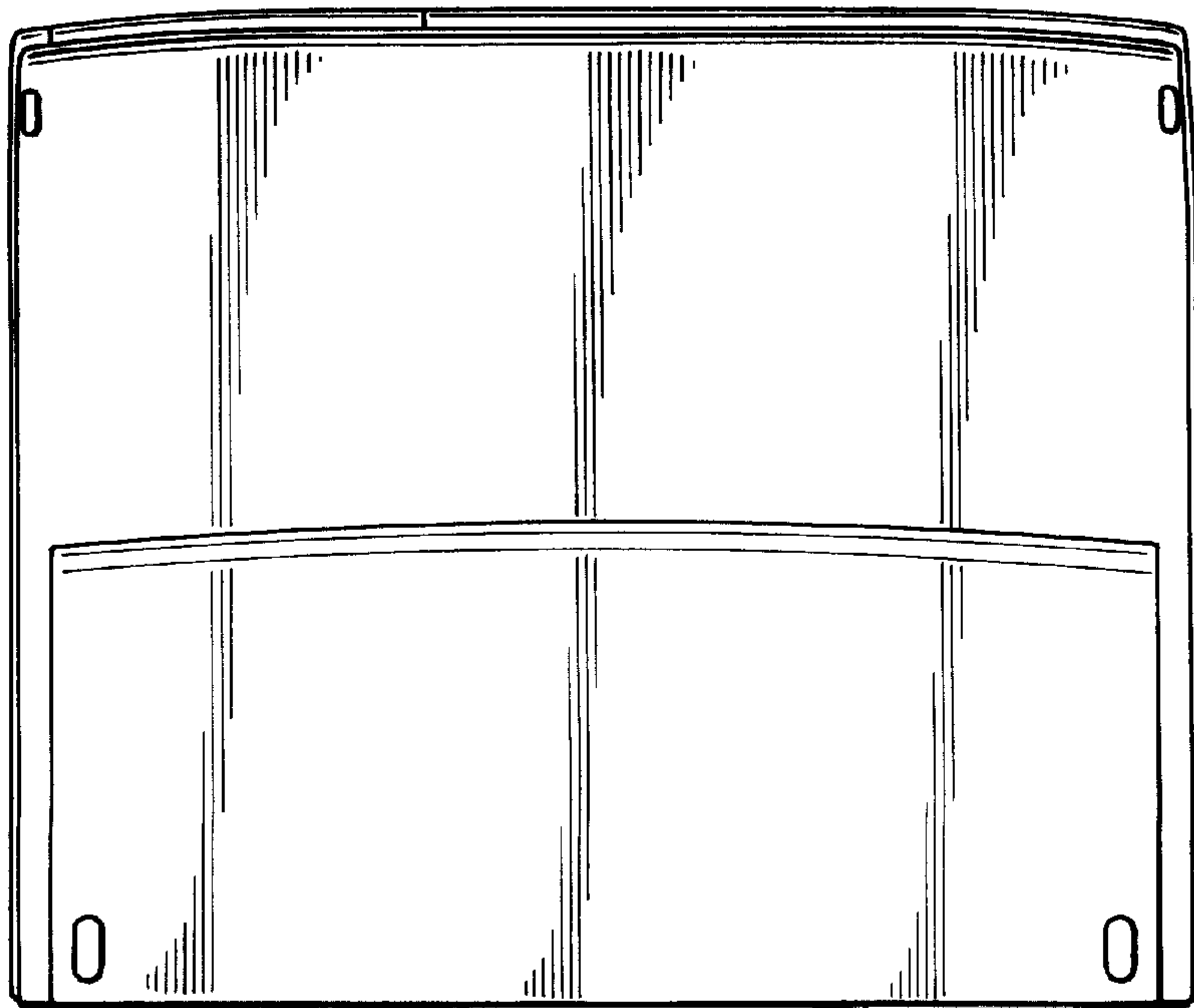


FIG. 5

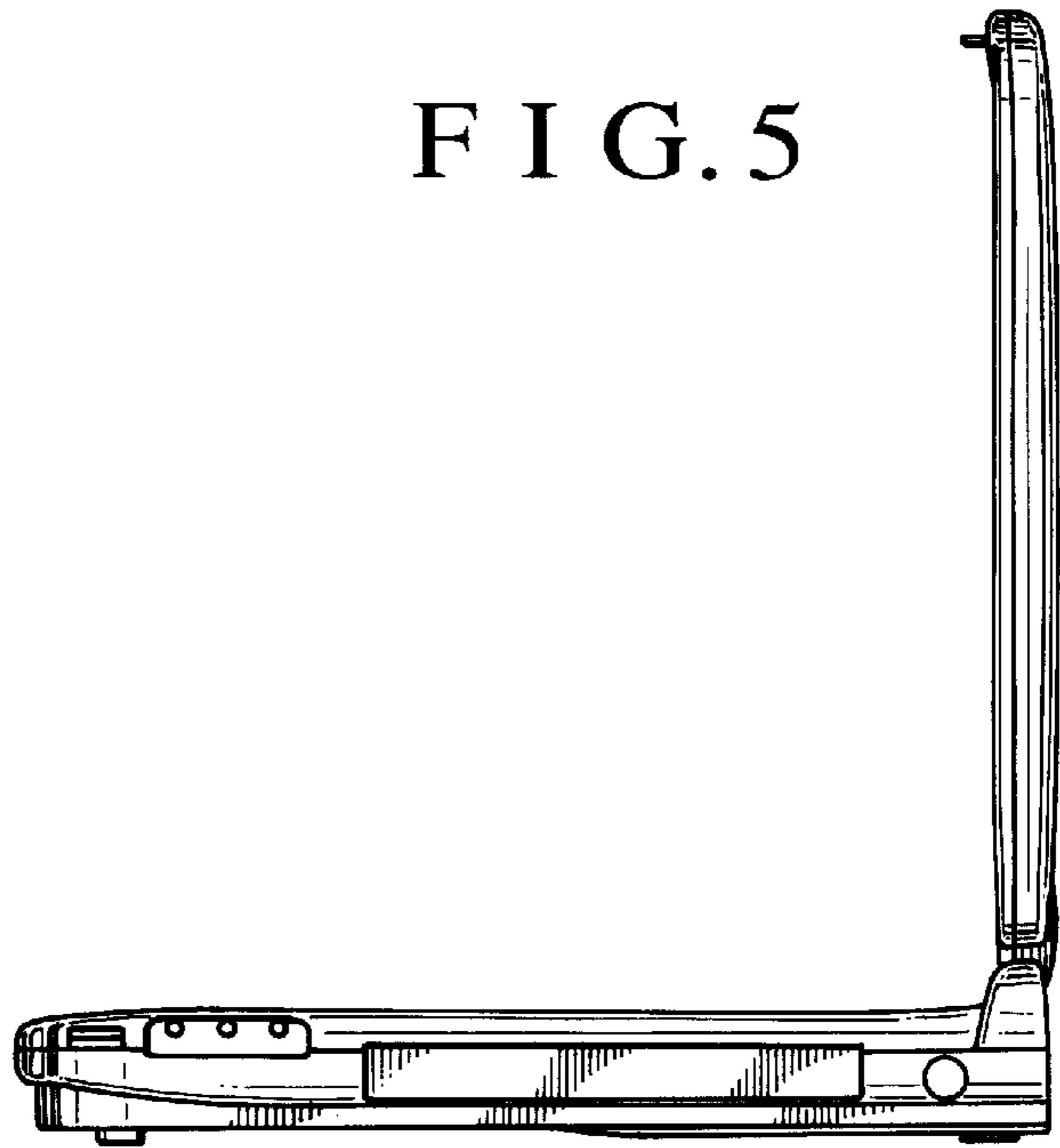


FIG. 6

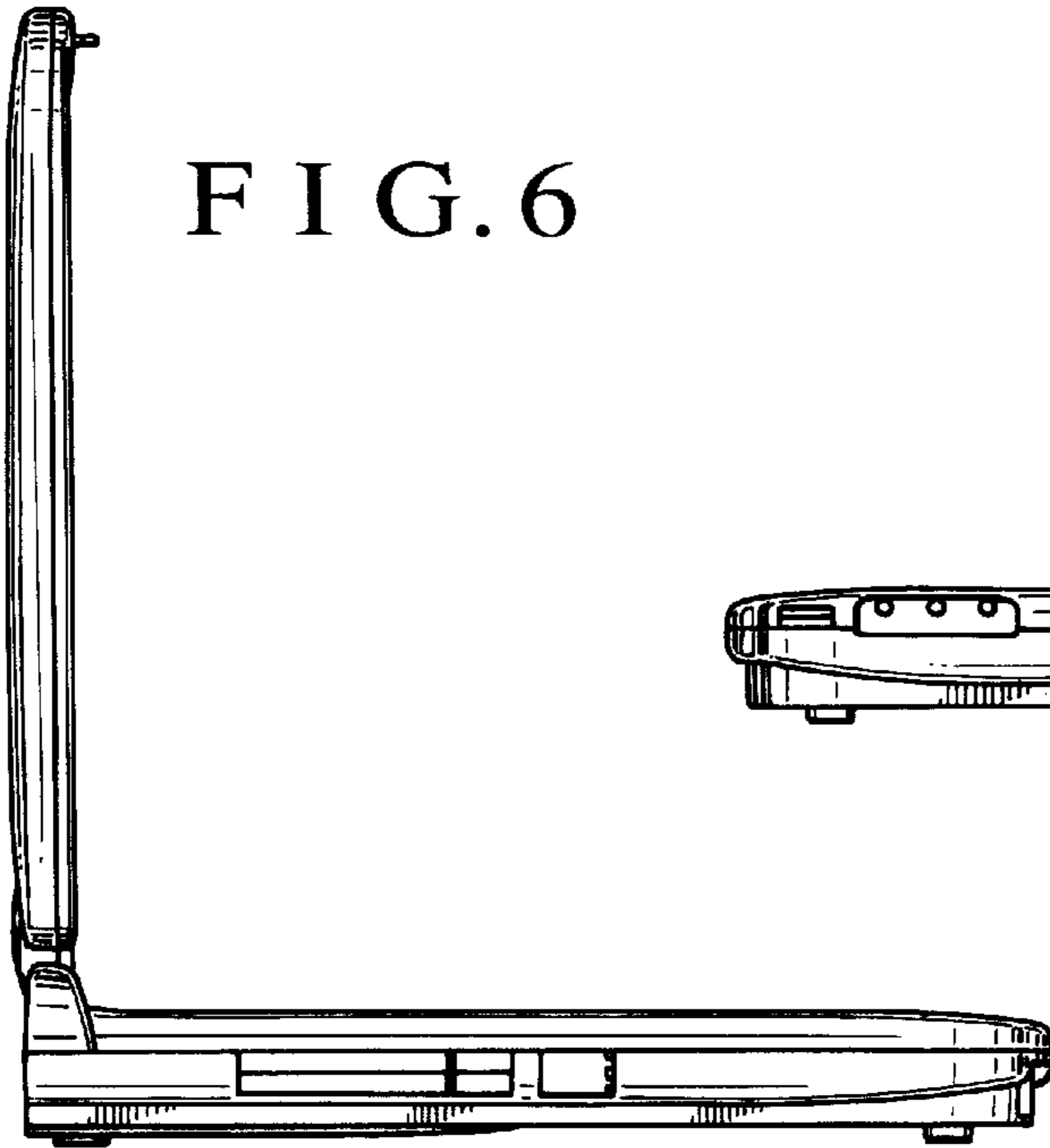


FIG. 7

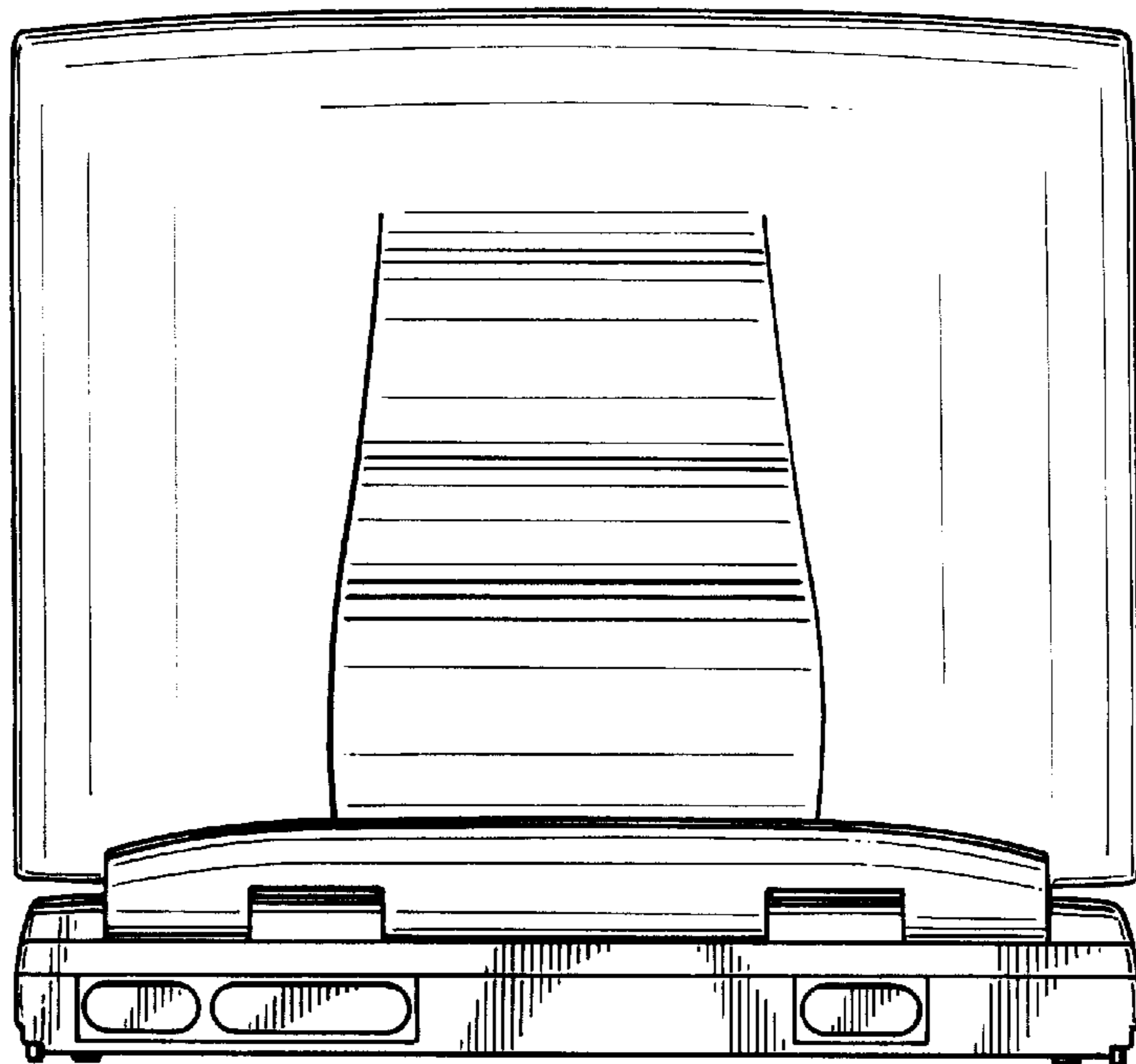


FIG. 8

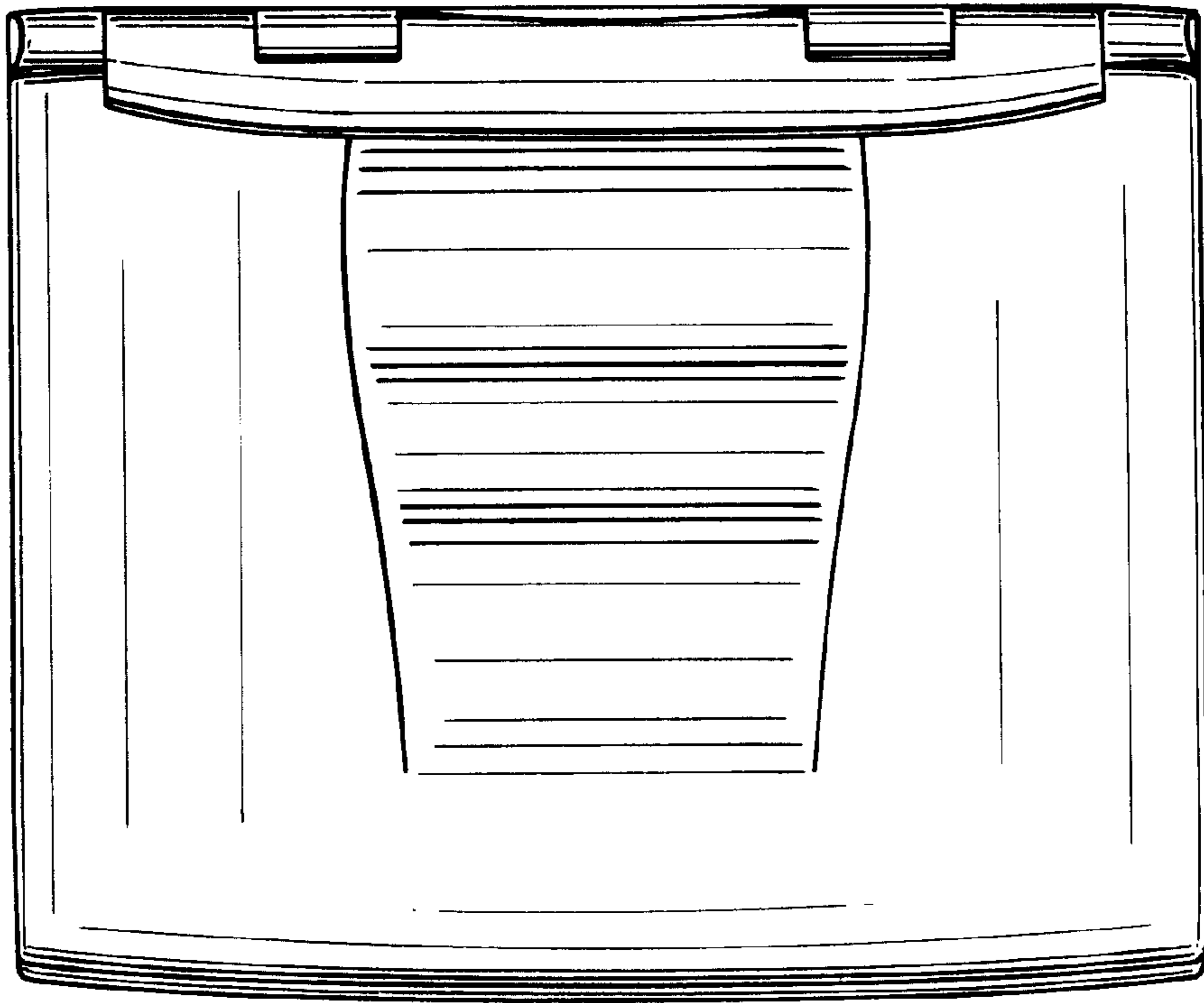


FIG. 9

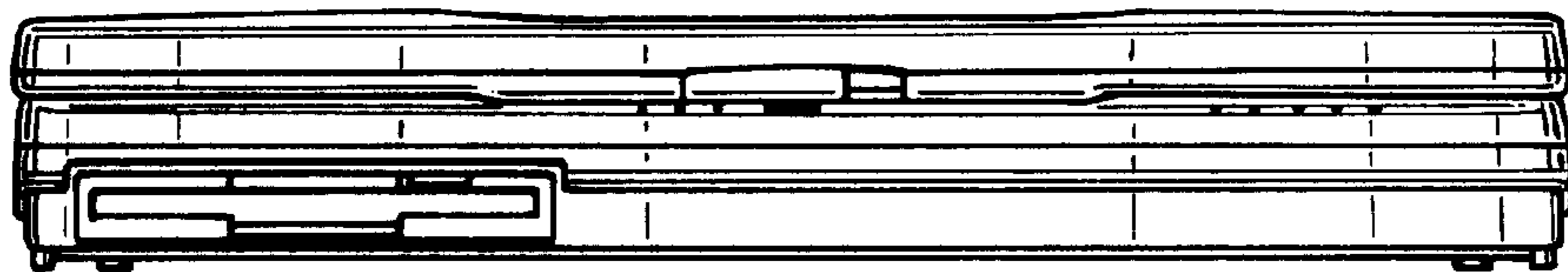


FIG. 10

