



US00D426813S

United States Patent [19]
Rohmer

[11] **Patent Number: Des. 426,813**
[45] **Date of Patent: ** Jun. 20, 2000**

[54] **ELECTRICAL DISCONNECT BOX WITH FUSES**

[75] Inventor: **Richard M. Rohmer**, Jordan, N.Y.

[73] Assignee: **Pass & Seymour, Inc.**, Solvay, N.Y.

[**] Term: **14 Years**

[21] Appl. No.: **29/107,832**

[22] Filed: **Jul. 14, 1999**

[51] **LOC (7) Cl.** **13-03**

[52] **U.S. Cl.** **D13/169**

[58] **Field of Search** D13/158, 160,
D13/169; 200/50.01, 51.11, 51.12

[56] **References Cited**

U.S. PATENT DOCUMENTS

- D. 354,738 1/1995 Zimmermann et al. .
- D. 406,820 3/1999 Johnson .
- 4,553,000 11/1985 Appleton .
- 5,243,157 9/1993 Hoffman 200/51.11

Primary Examiner—Brian N. Vinson
Attorney, Agent, or Firm—Harter, Secrest & Emery LLP;
Stephen B. Salai, Esq.; Brian B. Shaw, Esq.

[57] **CLAIM**

The ornamental design for an electrical disconnect box with fuses, as shown and described.

DESCRIPTION

FIG. 1 is a top right side perspective view of an electrical

disconnect box with fuses in accordance with a first embodiment of our new design;

FIG. 2 is a top plan view thereof;

FIG. 3 is a left side elevation thereof;

FIG. 4 is a right side elevation thereof;

FIG. 5 is a bottom plan view thereof;

FIG. 6 is a rear elevation thereof;

FIG. 7 is a front elevation thereof;

FIG. 8 is a top right side perspective view of another embodiment of the invention;

FIG. 9 is a top plan view thereof;

FIG. 10 is a left side elevation thereof;

FIG. 11 is a right side elevation thereof;

FIG. 12 is a bottom plan view thereof;

FIG. 13 is a rear elevation thereof;

FIG. 14 is a front elevation thereof;

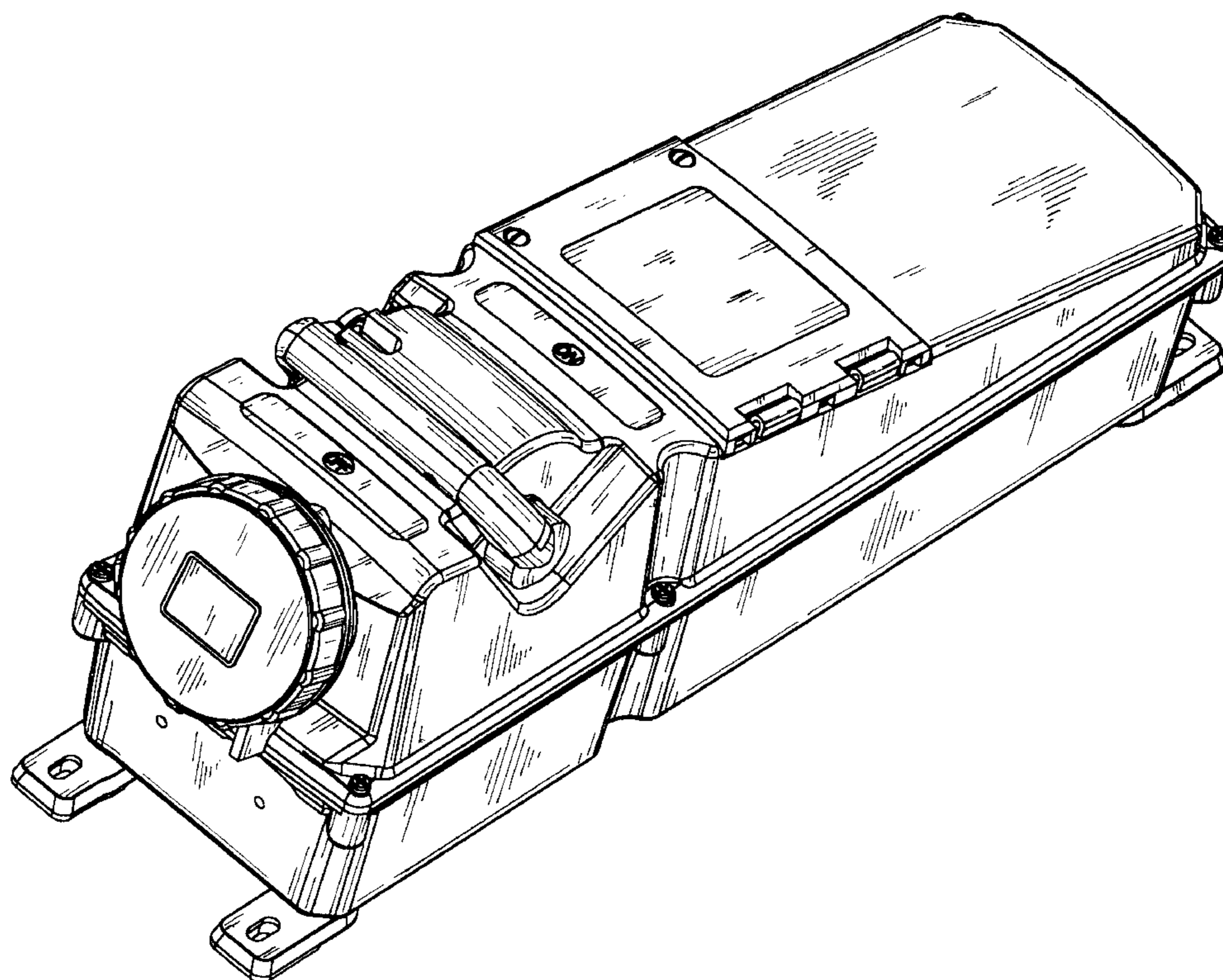
FIG. 15 is a top right side perspective view of another embodiment of the invention;

FIG. 16 is a top plan view thereof;

FIG. 17 is a top right side perspective view of another embodiment of the invention; and,

FIG. 18 is a top plan view thereof.

1 Claim, 12 Drawing Sheets



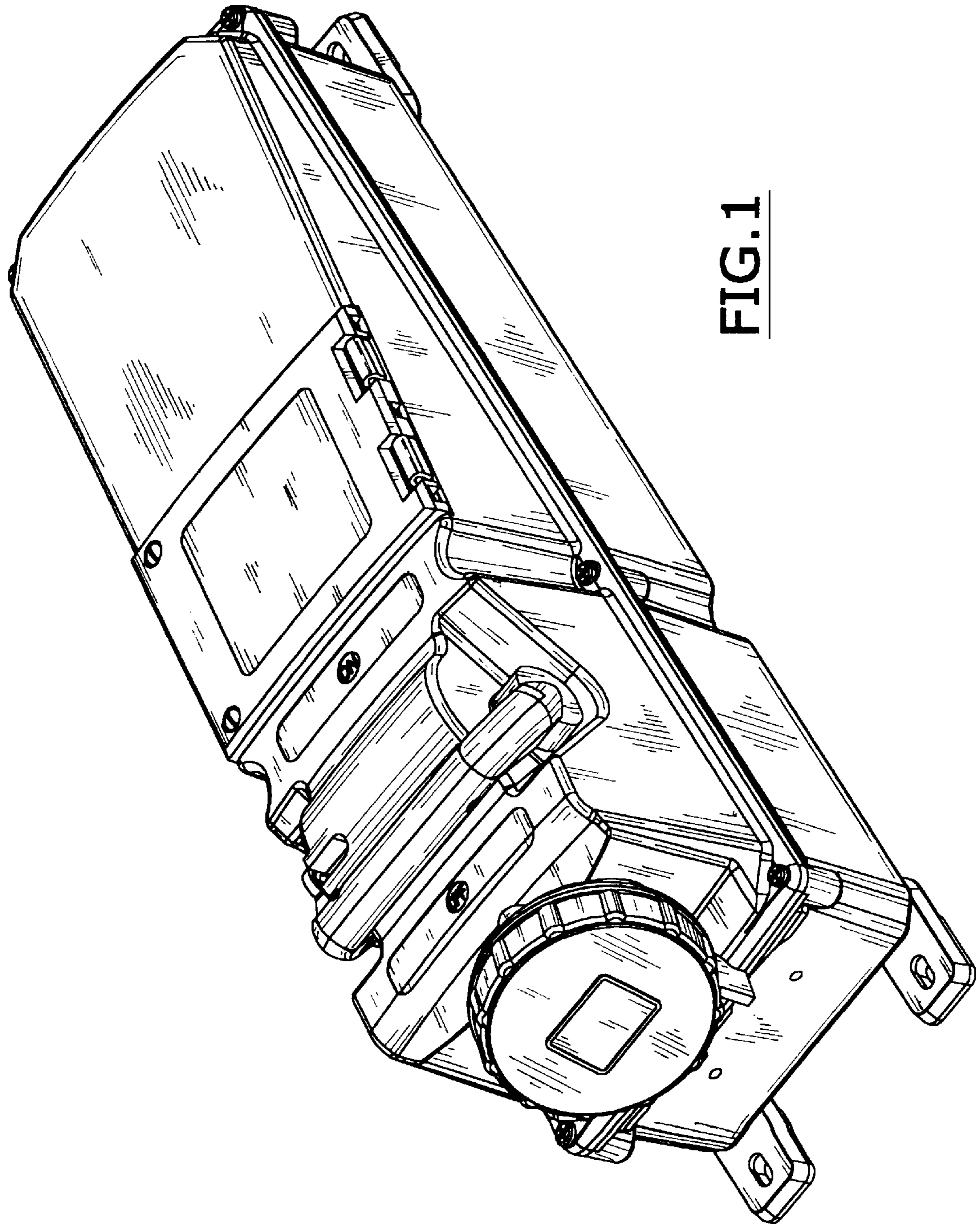


FIG. 1

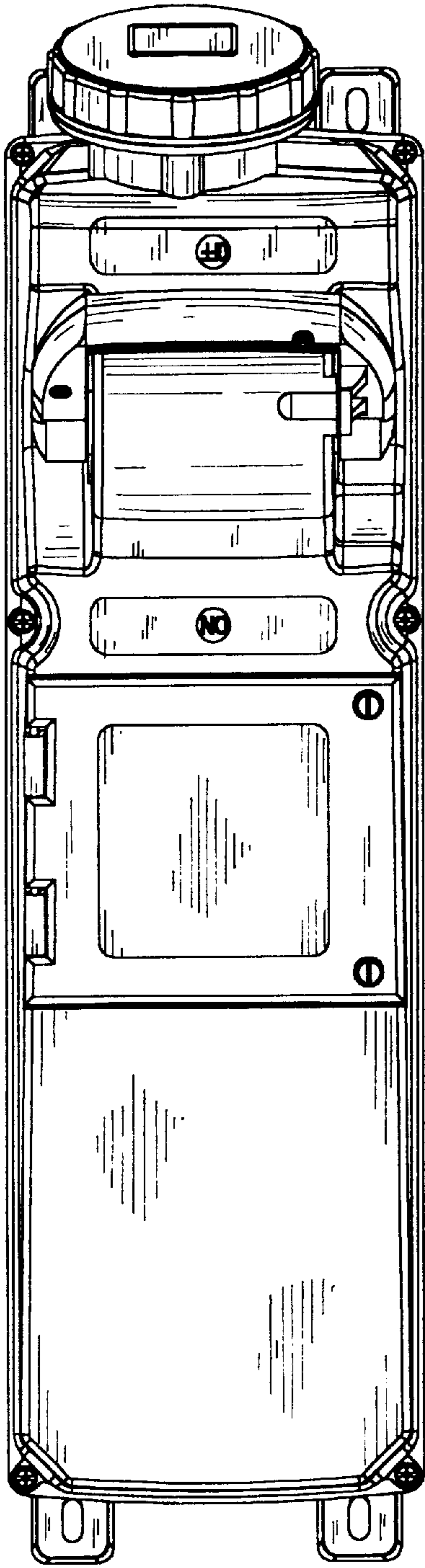


FIG. 2

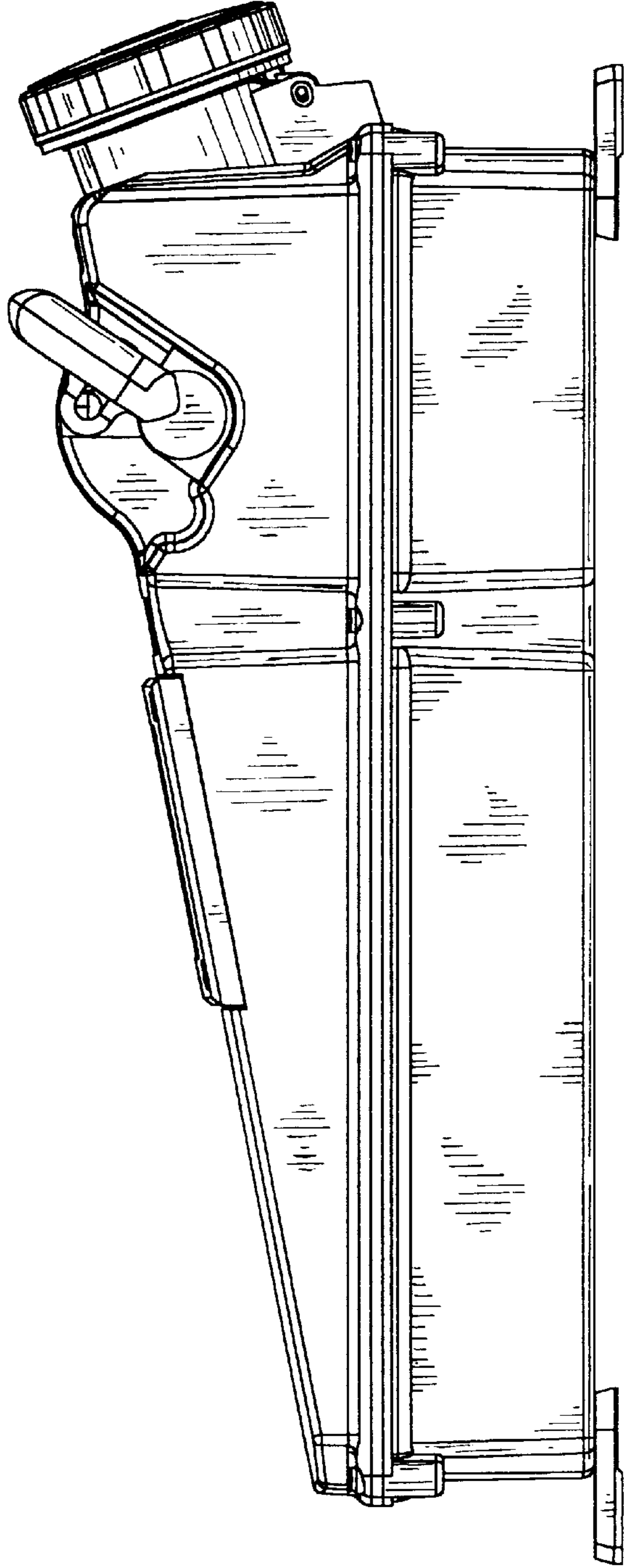


FIG. 3

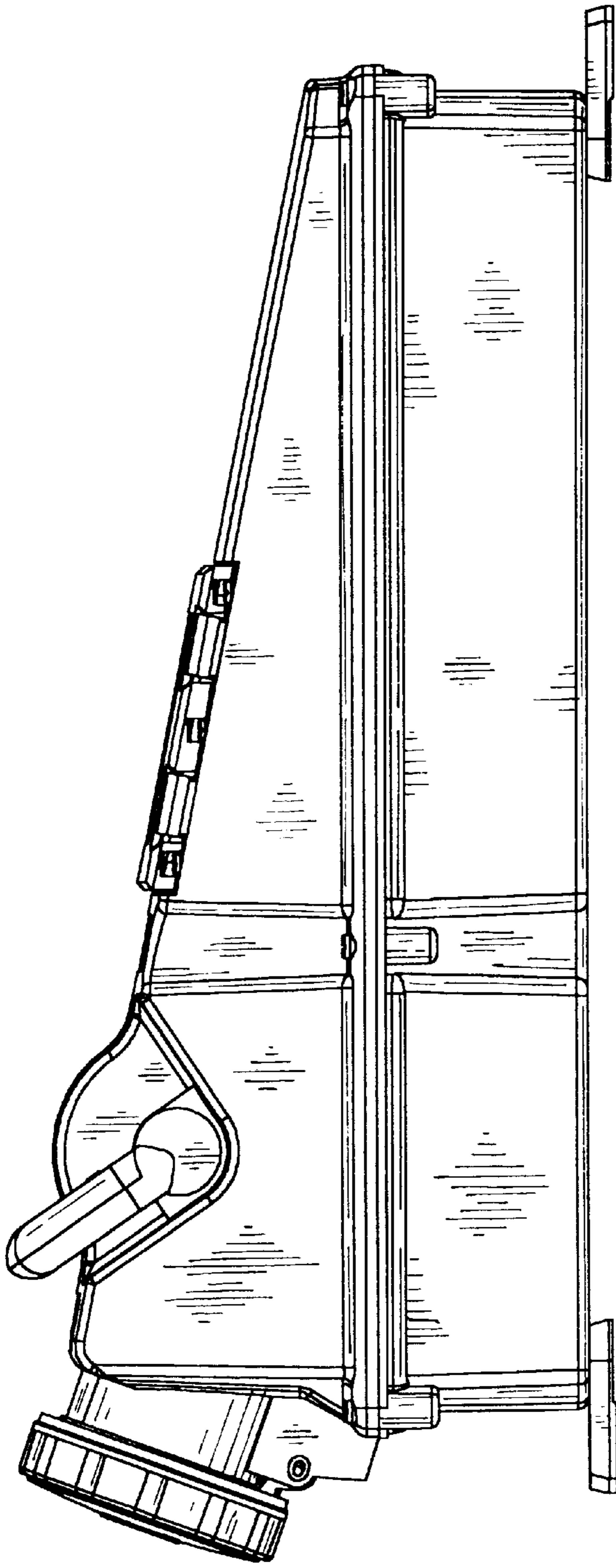


FIG. 4

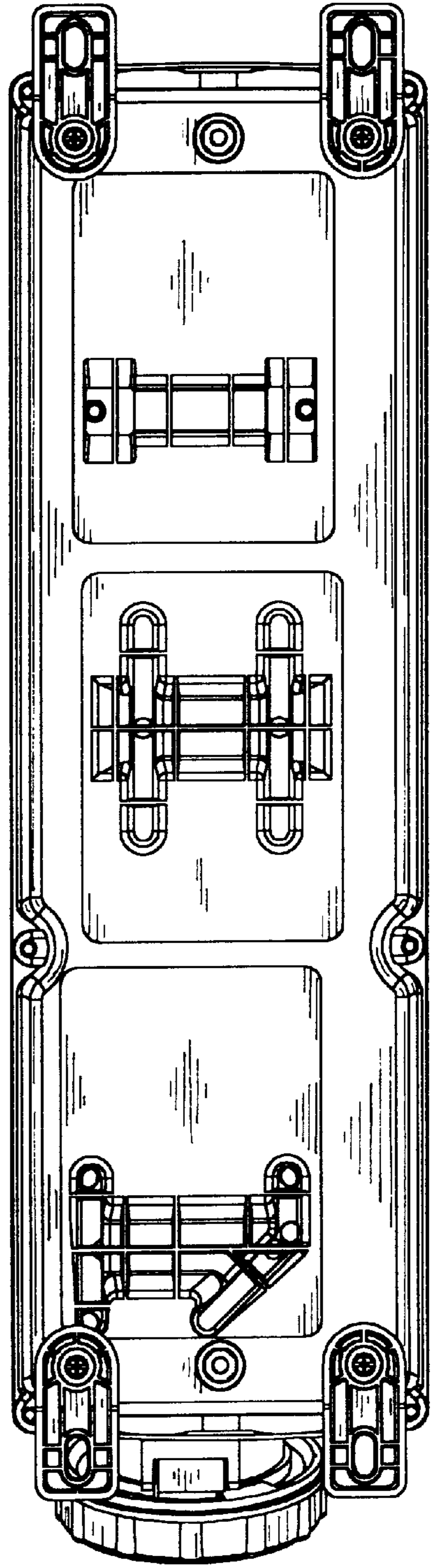


FIG. 5

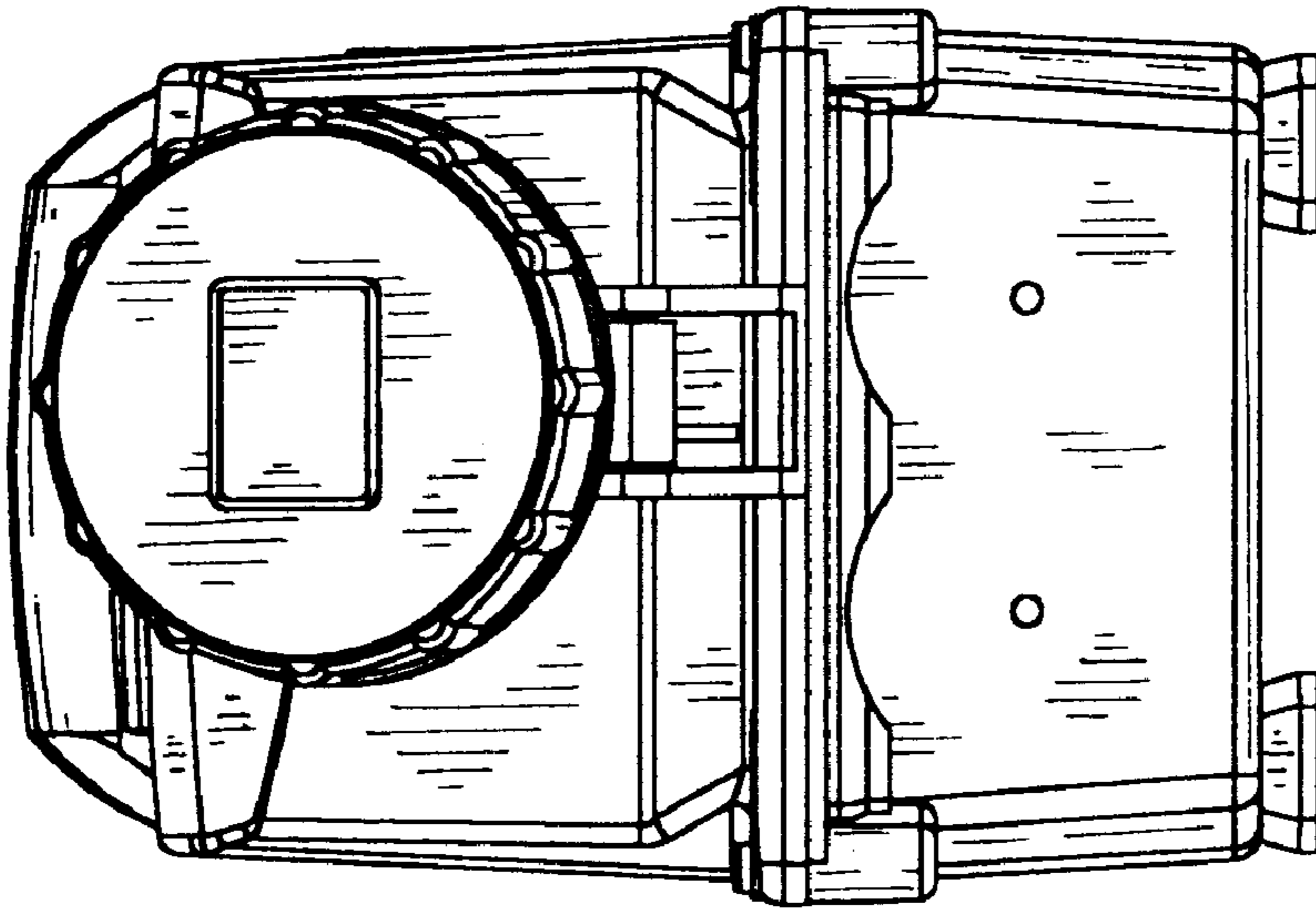


FIG. 6

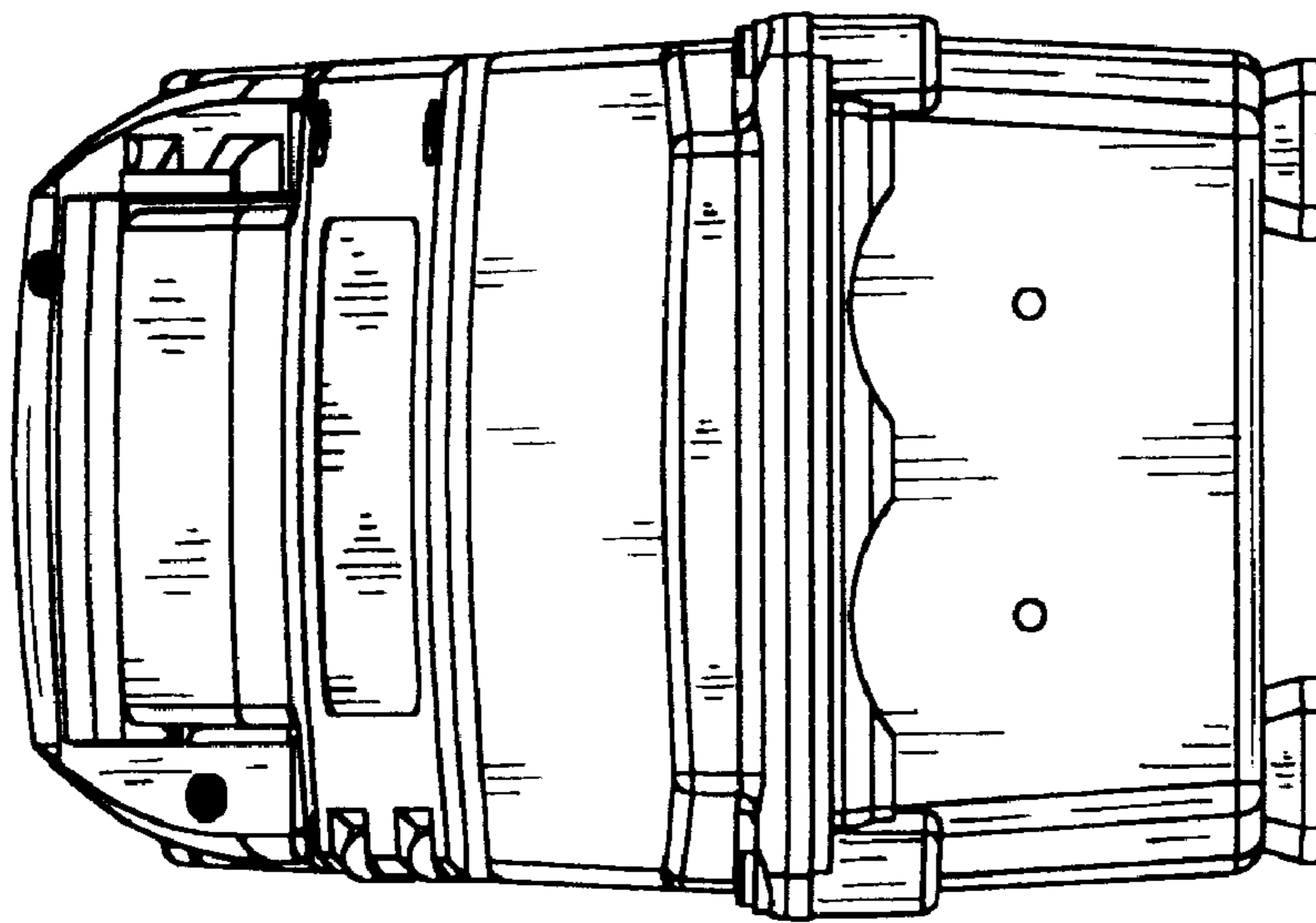


FIG. 7

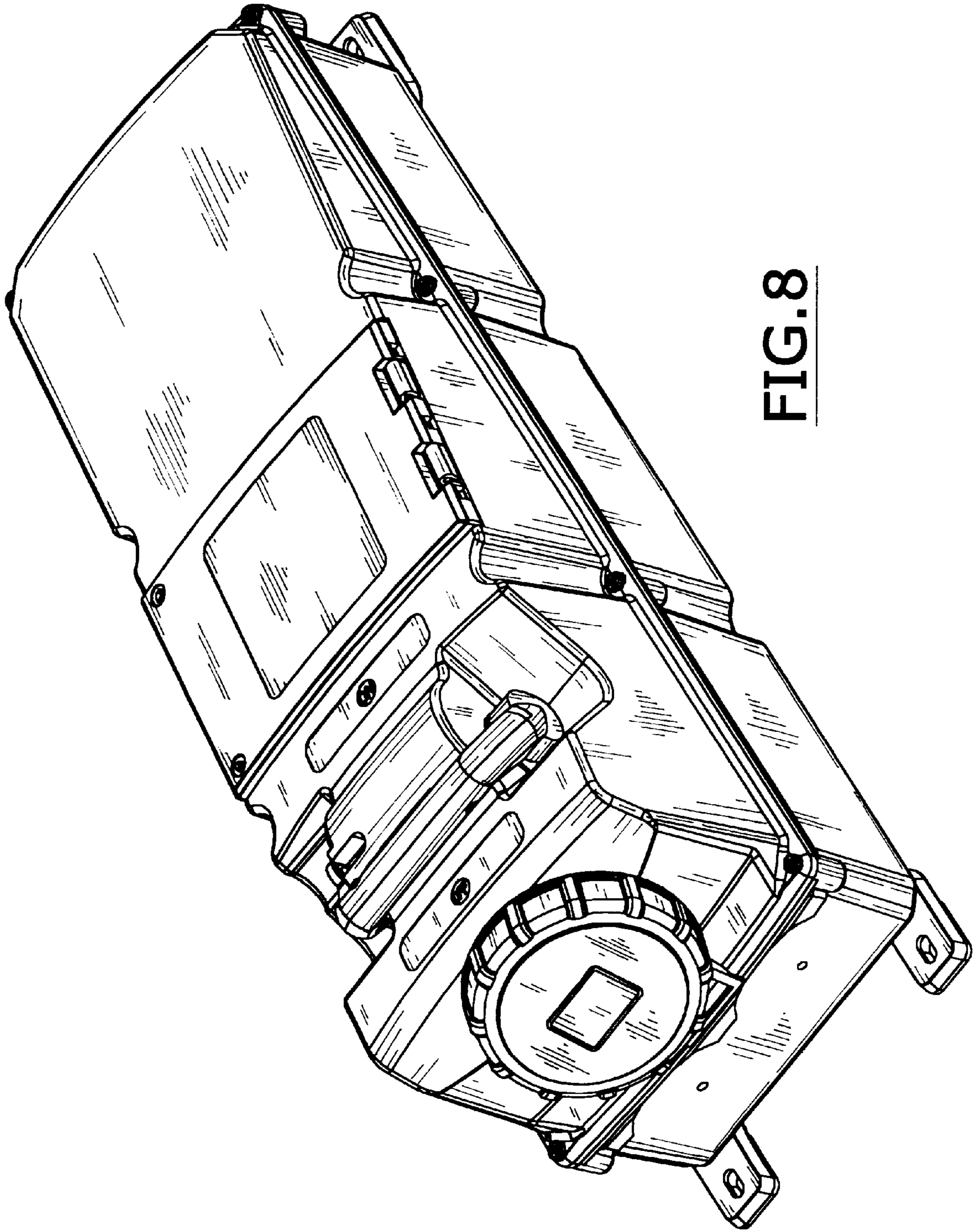


FIG. 8

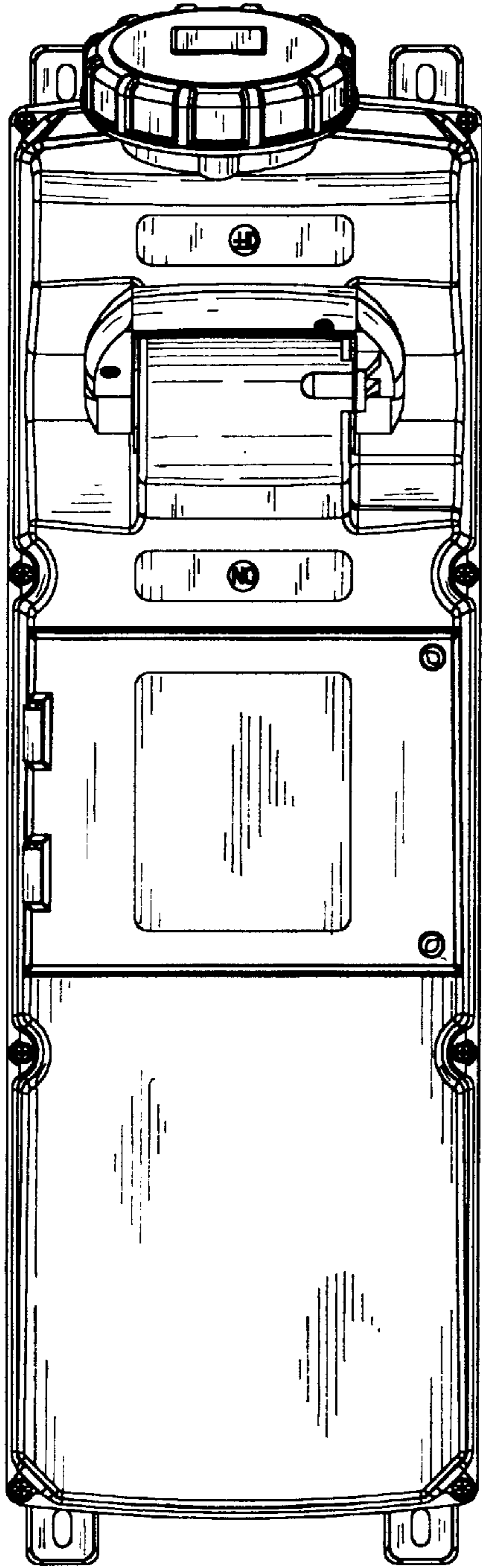


FIG. 9

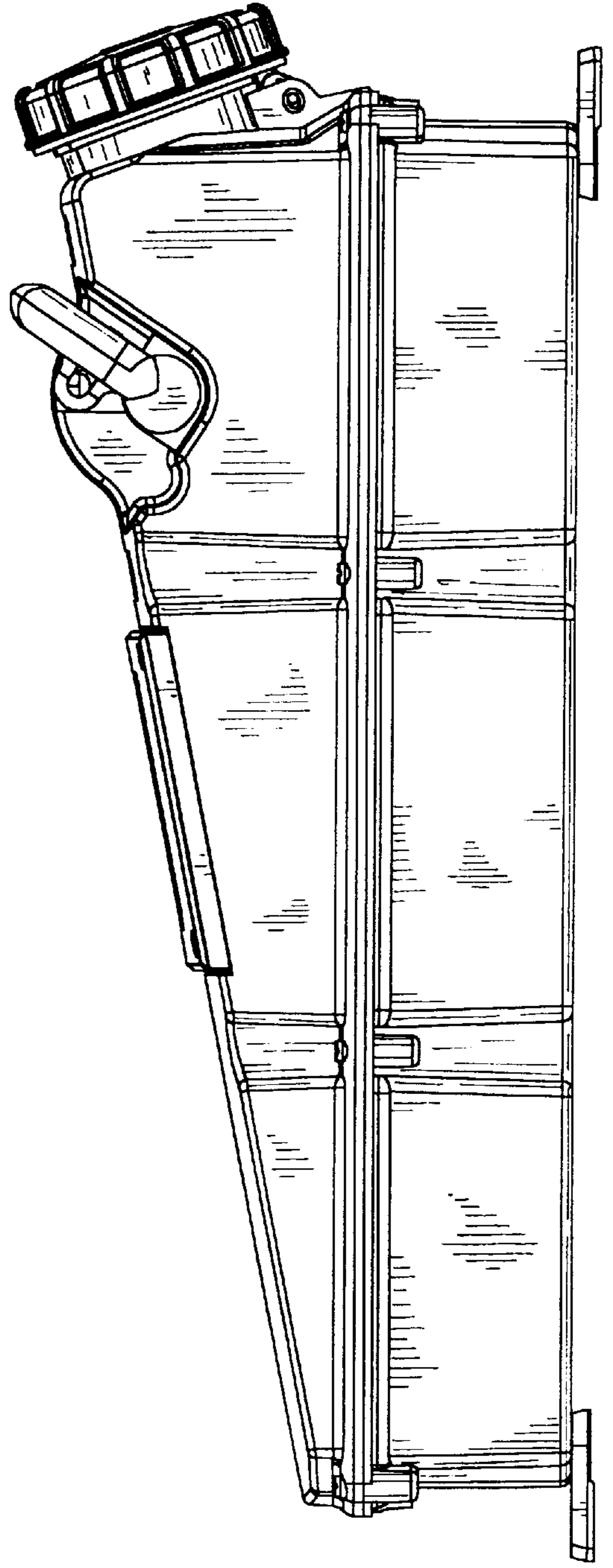


FIG. 10

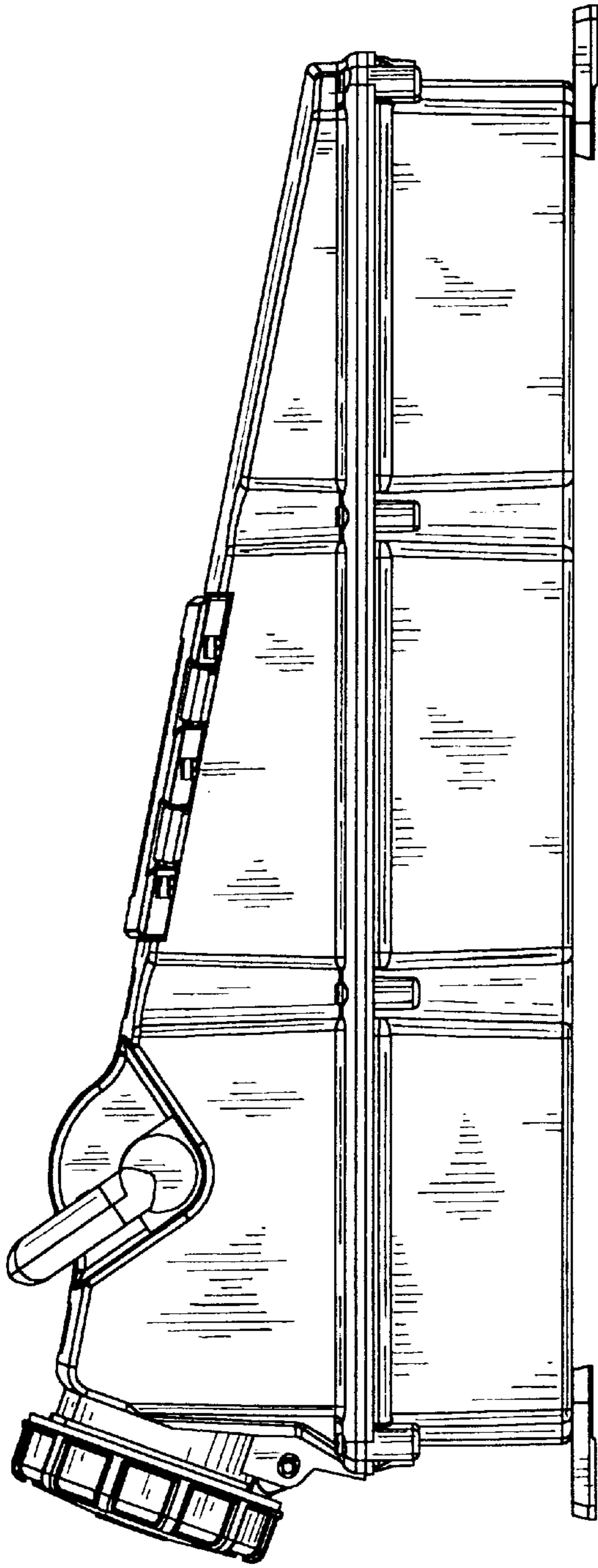


FIG. 11

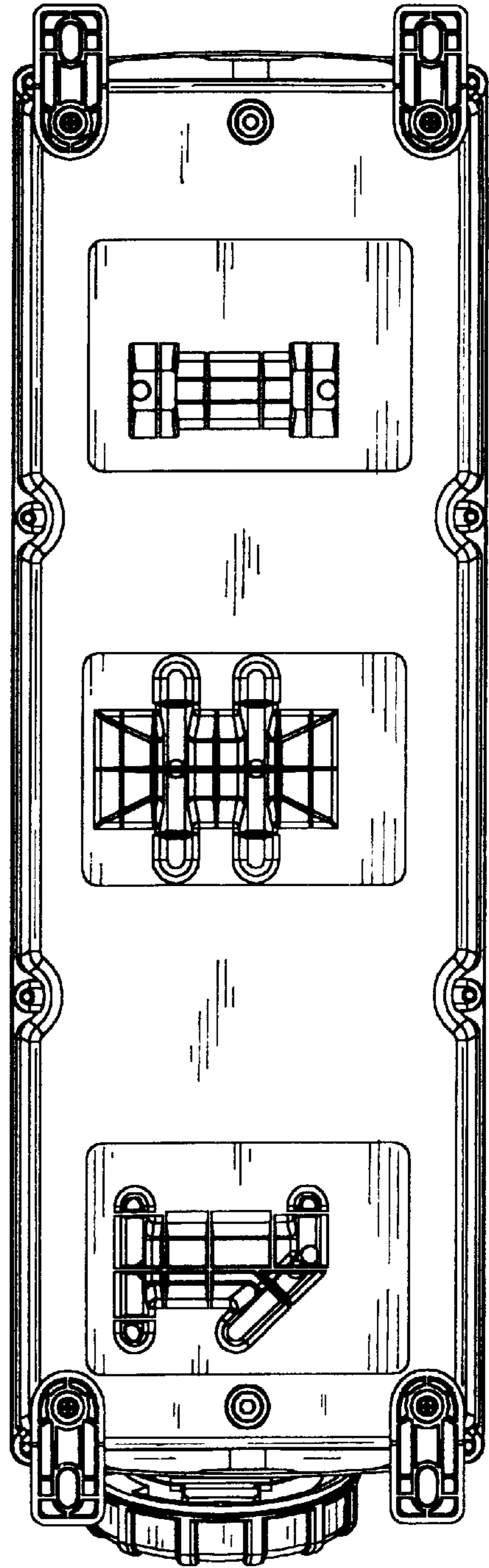


FIG. 12

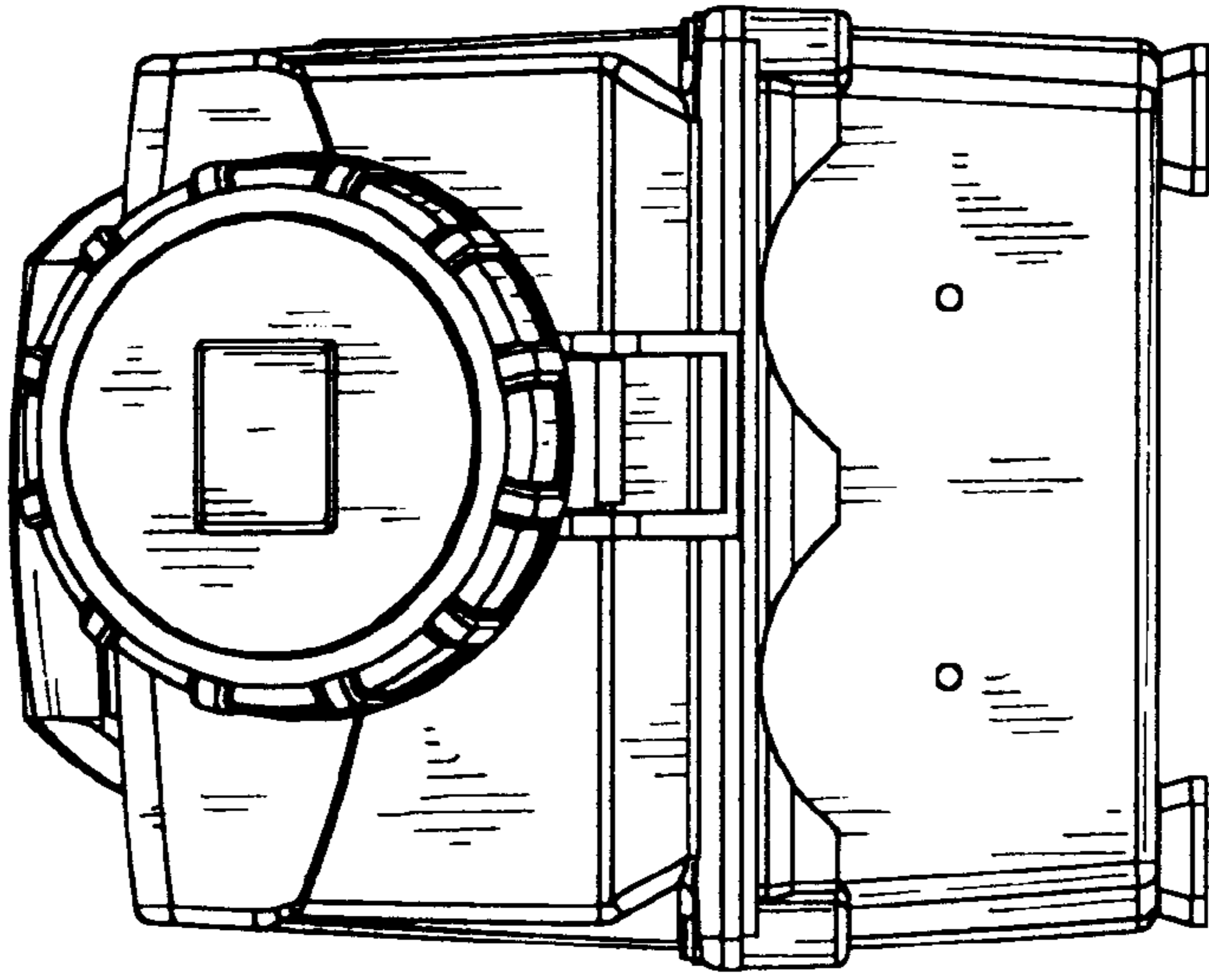


FIG. 13

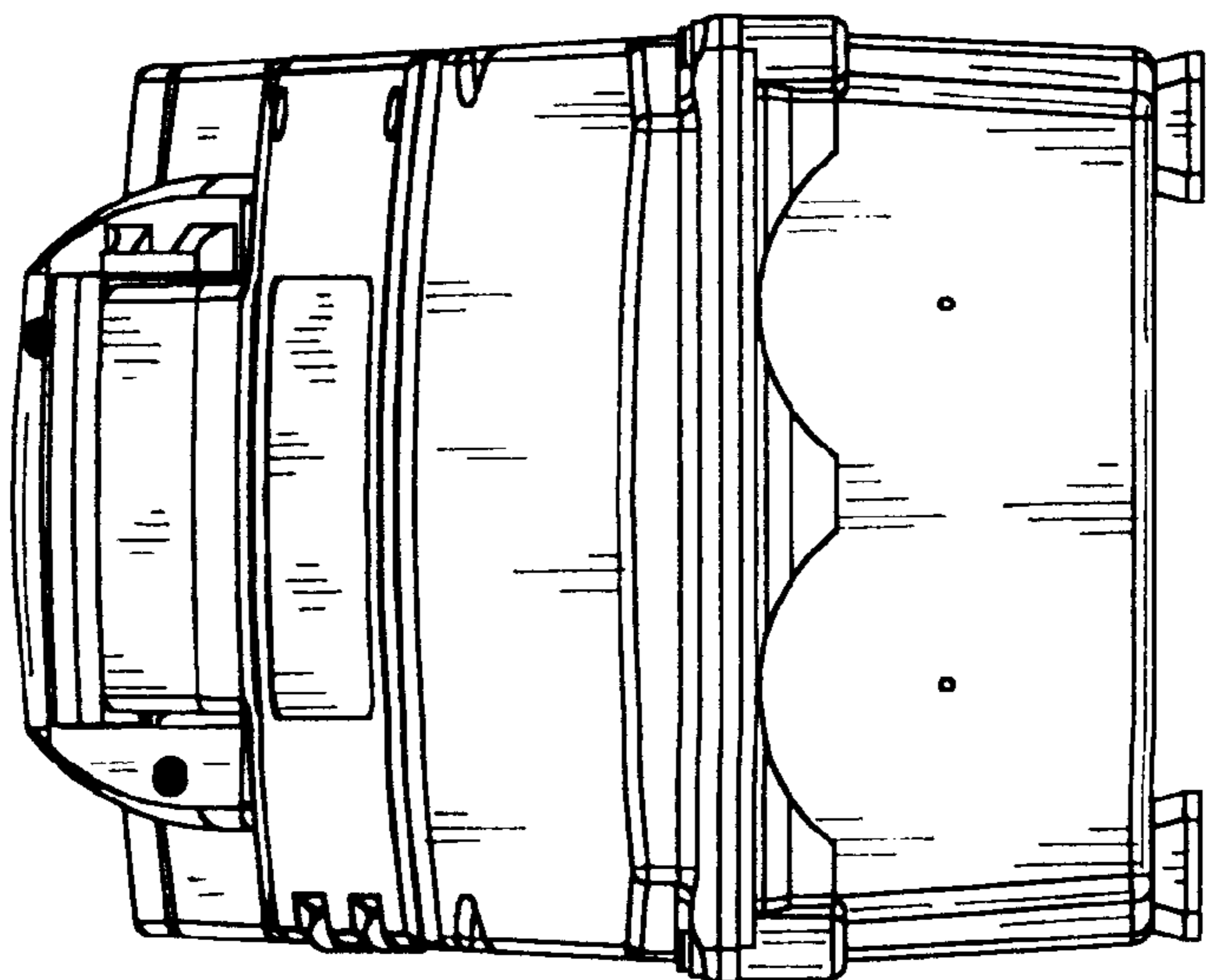


FIG. 14

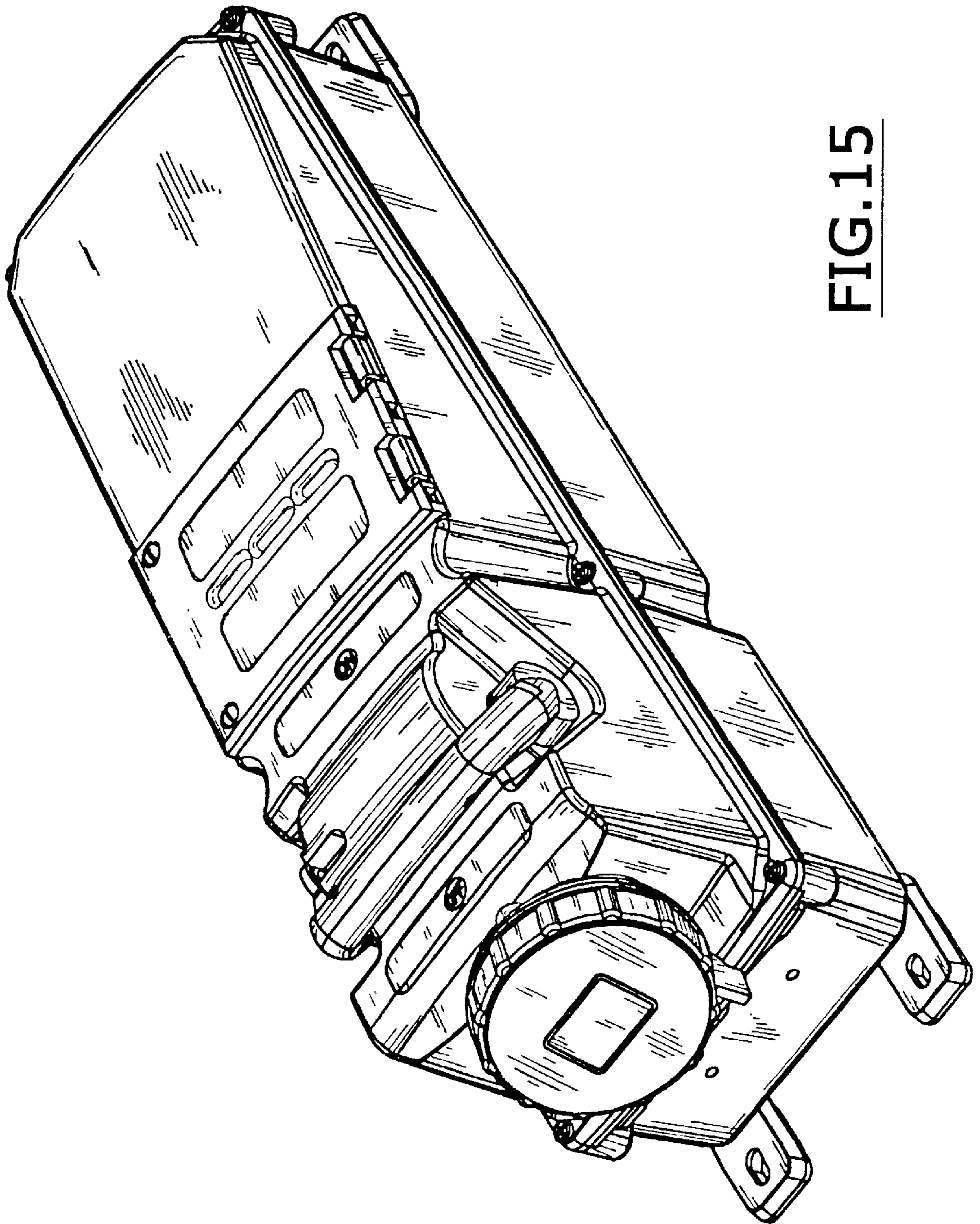


FIG. 15

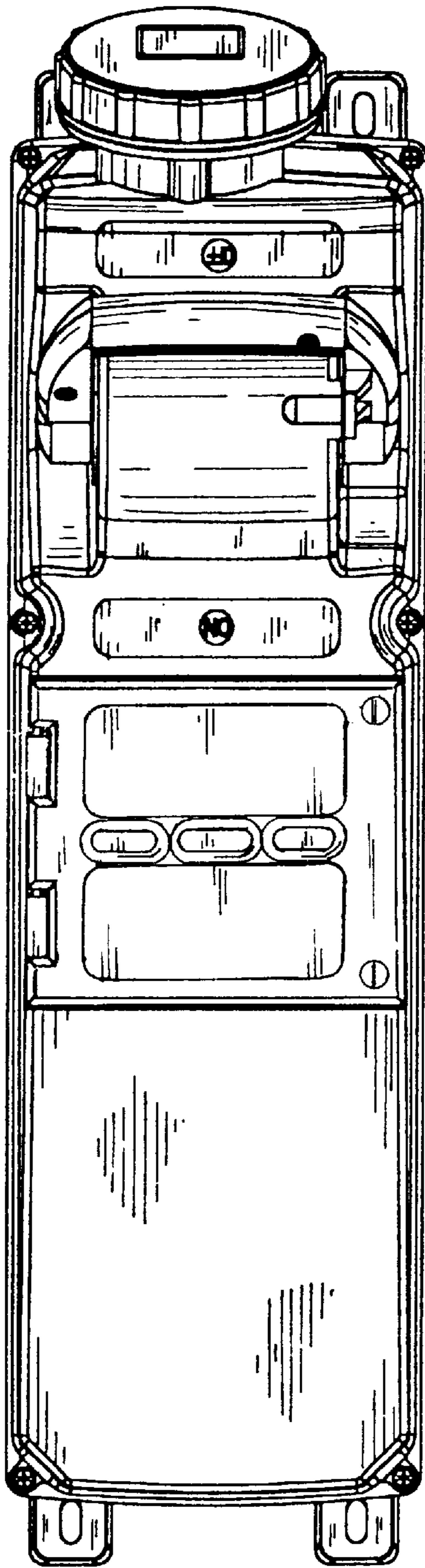


FIG. 16

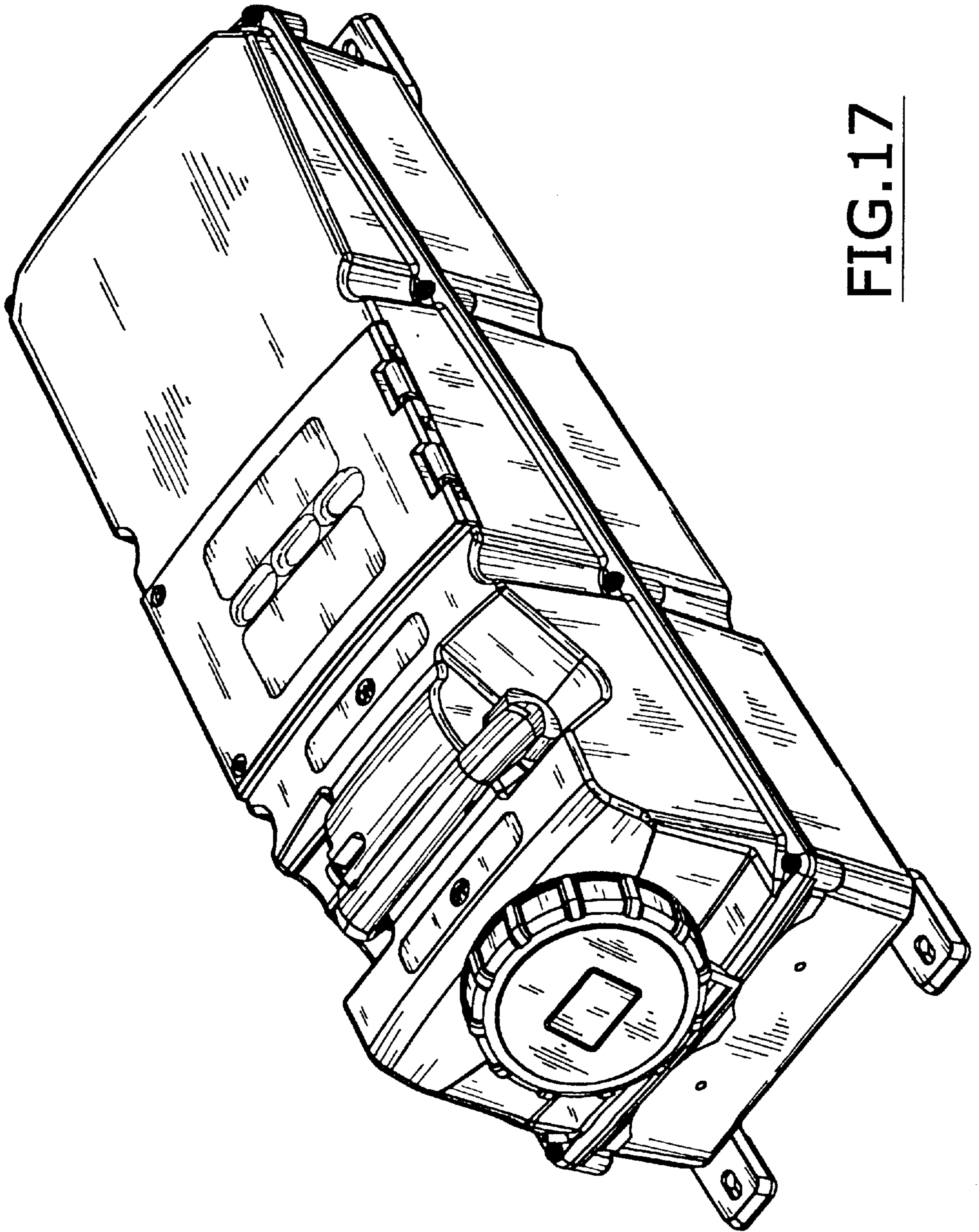


FIG. 17

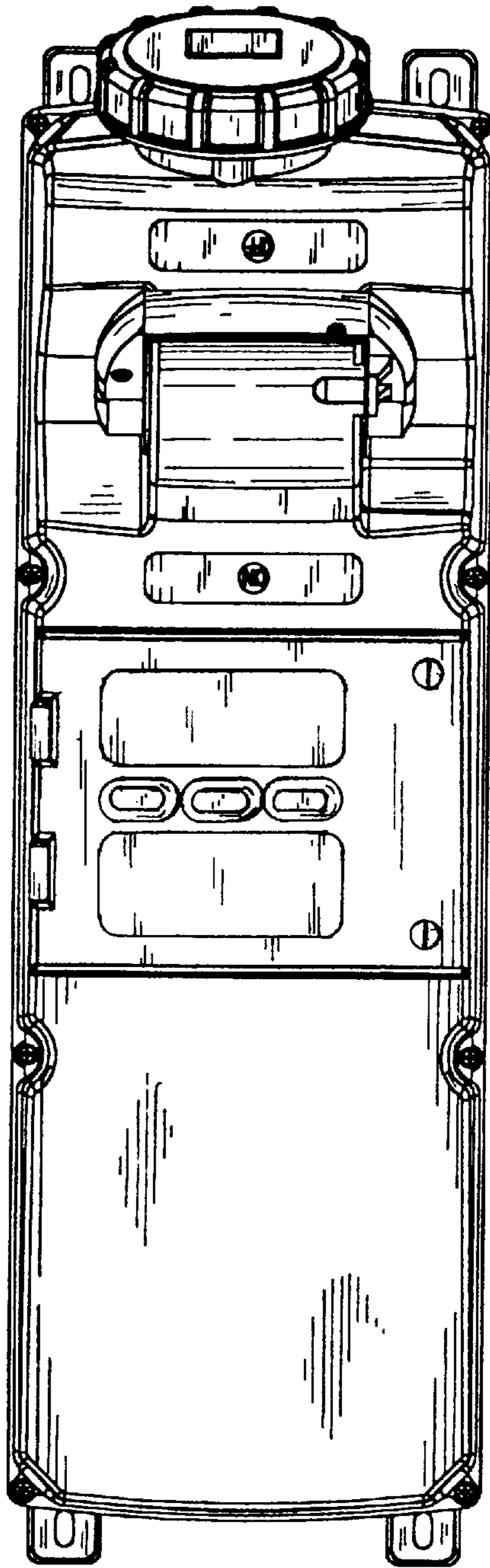


FIG. 18