



US00D426812S

United States Patent [19]

Hwang et al.

[11] Patent Number: **Des. 426,812**

[45] Date of Patent: **** Jun. 20, 2000**

[54] **CABLE CONNECTOR**

[75] Inventors: **Jeng-Yih Hwang**, Irvine; **David Tso-Chin Ko**, Thousand Oaks, both of Calif.

[73] Assignee: **Hon Hai Precision Ind. Co., Ltd.**, Taipei Hsien, Taiwan

[**] Term: **14 Years**

[21] Appl. No.: **29/114,771**

[22] Filed: **Nov. 30, 1999**

[51] **LOC (7) Cl.** **13-03**

[52] **U.S. Cl.** **D13/147**

[58] **Field of Search** D13/146, 147; 439/607, 608, 609, 610, 352, 362, 638

[56] **References Cited**

U.S. PATENT DOCUMENTS

D. 415,108 10/1999 Arai D13/147

4,659,166	4/1987	Morningstar et al.	439/580
4,738,635	4/1988	Harrington et al.	439/452
5,207,586	5/1993	MacGregor et al.	439/76.1
5,567,180	10/1996	Seo	439/638
5,830,001	11/1998	Kinoshita et al.	439/354
5,993,258	11/1999	Matsunuma et al.	439/607

Primary Examiner—Joel Sincavage
Attorney, Agent, or Firm—Wei Te Chung

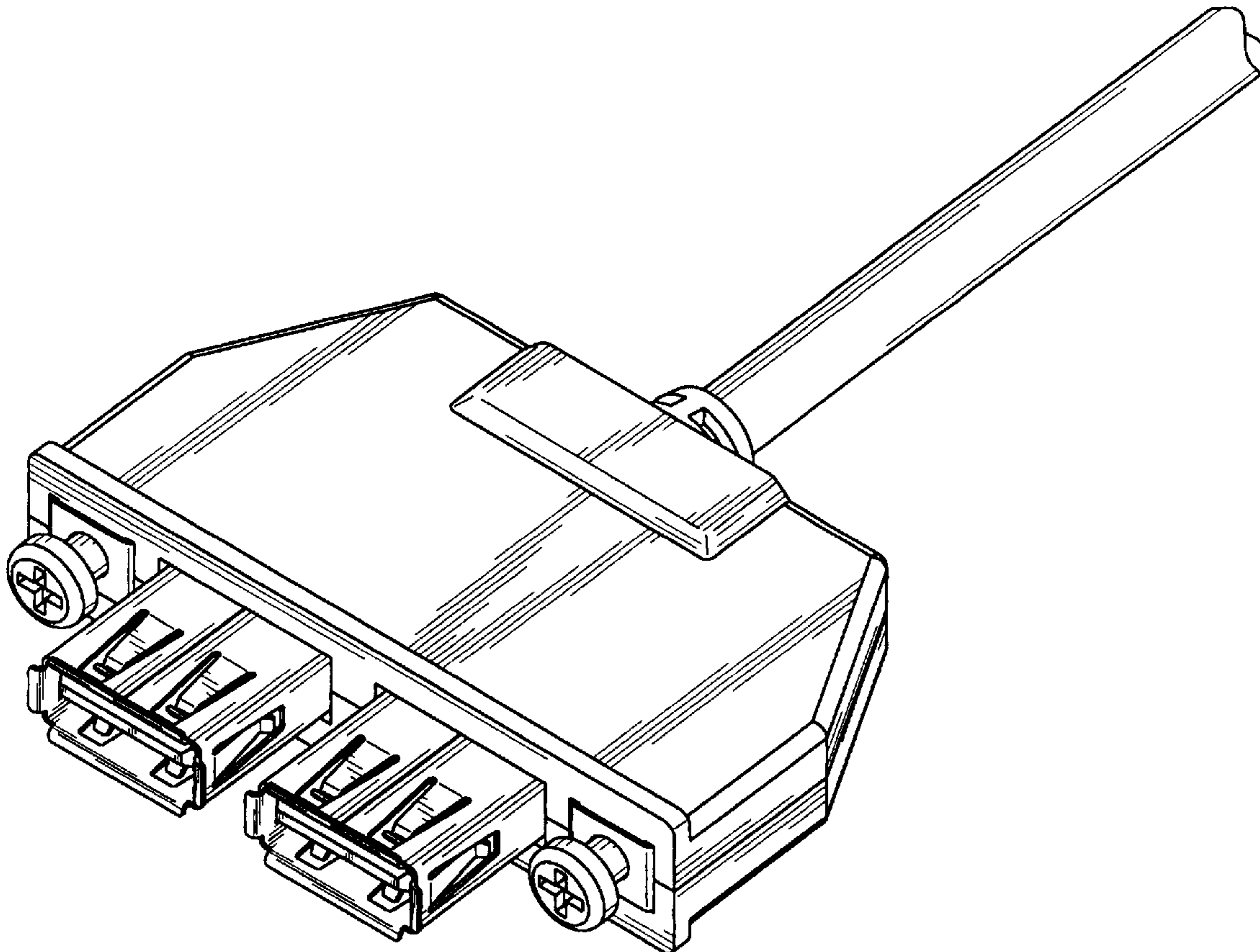
[57] **CLAIM**

The ornamental design for a cable connector, as shown.

DESCRIPTION

FIG. 1 is a front, top and right side perspective view of a cable connector showing our new design; FIG. 2 is a front elevational view thereof; FIG. 3 is a rear elevational view thereof; FIG. 4 is a left side elevational view thereof; FIG. 5 is a right side elevational view thereof; FIG. 6 is a top plan view thereof; and, FIG. 7 is a bottom plan view thereof.

1 Claim, 5 Drawing Sheets



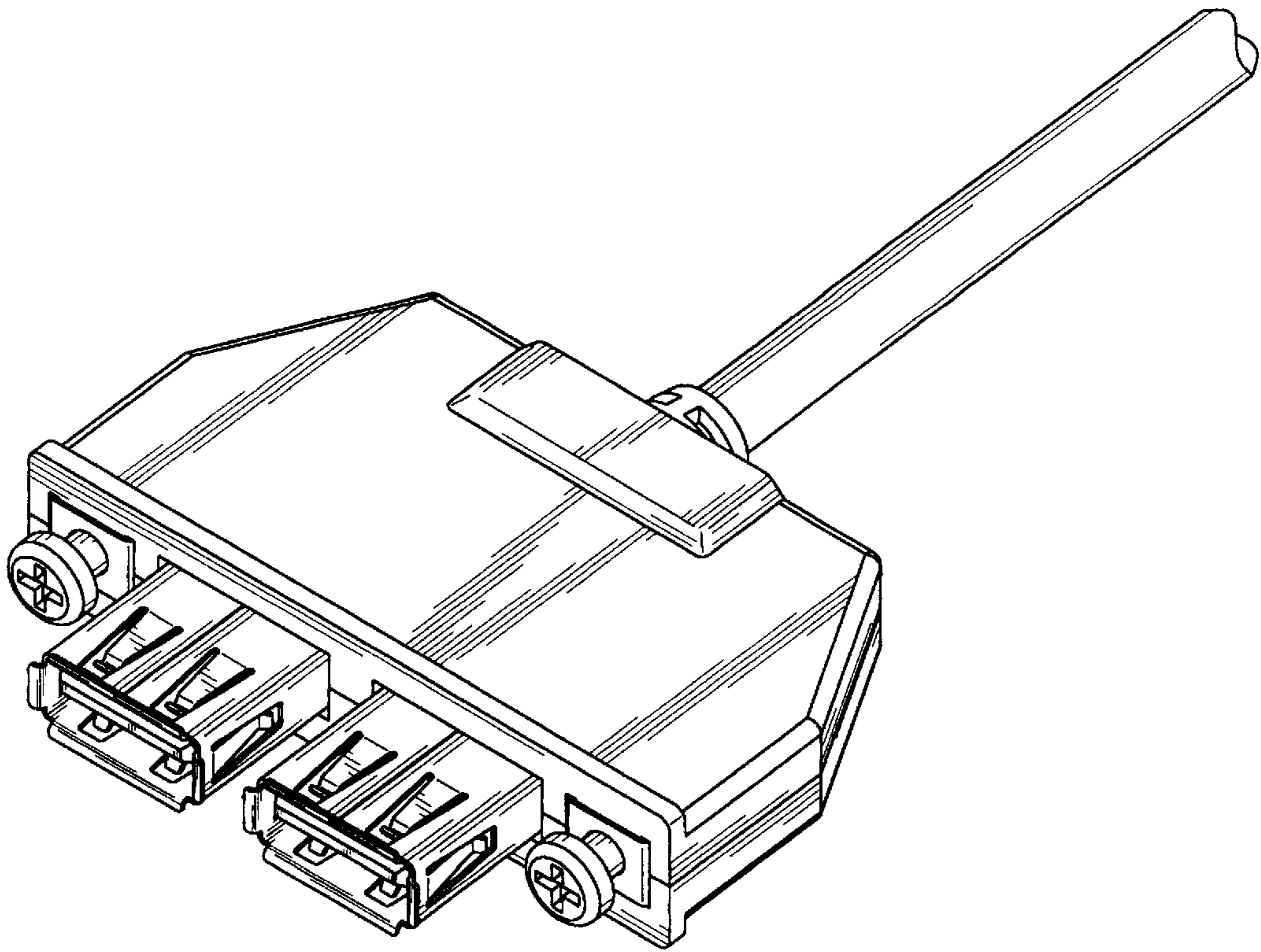


FIG. 1

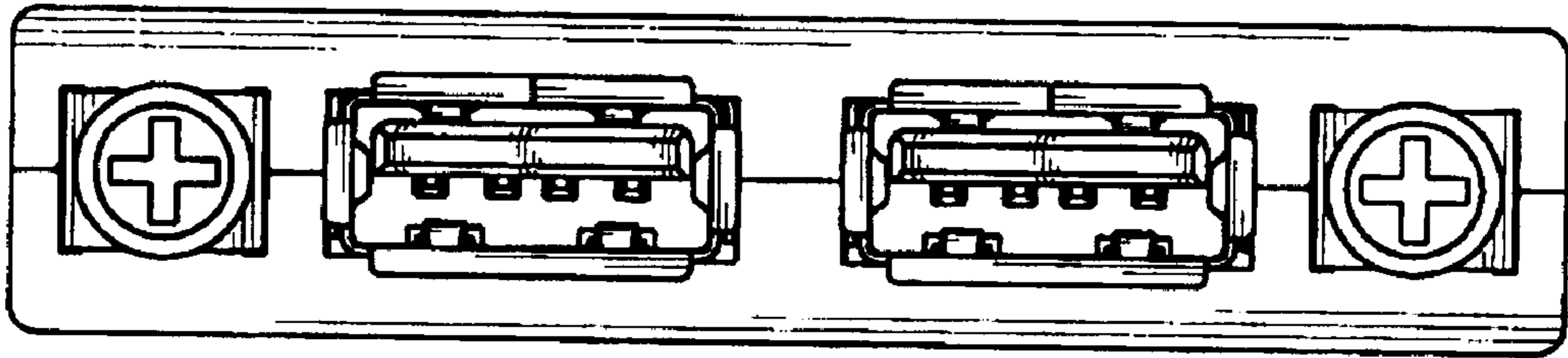


FIG. 2

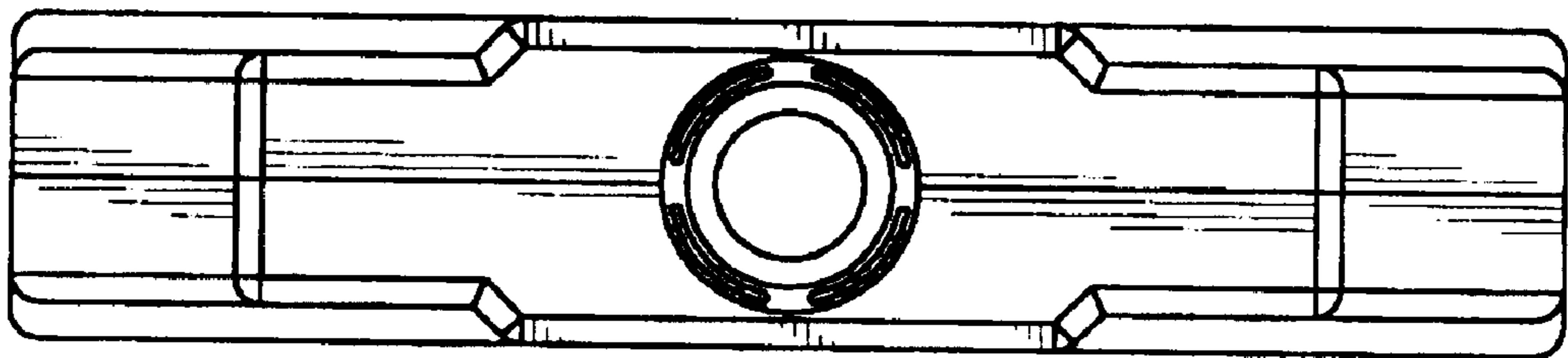


FIG. 3

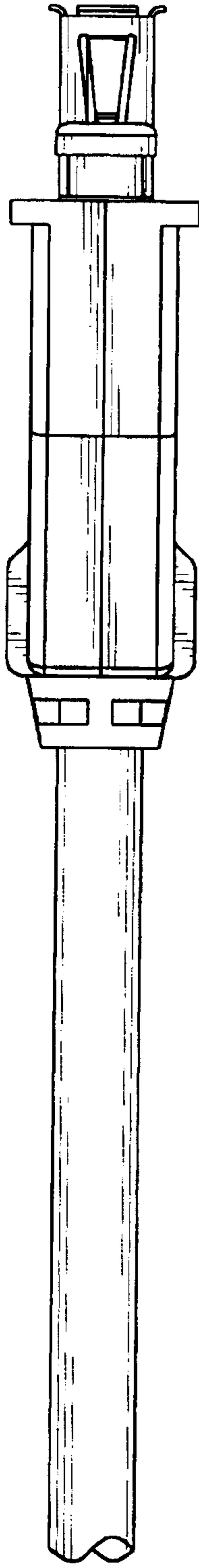


FIG. 4

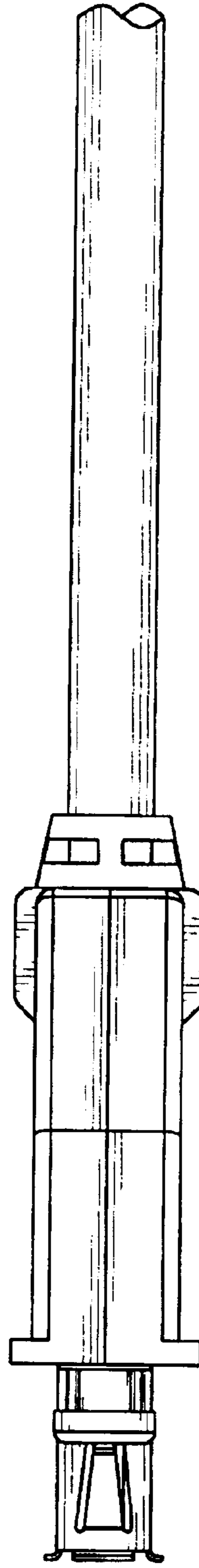


FIG. 5

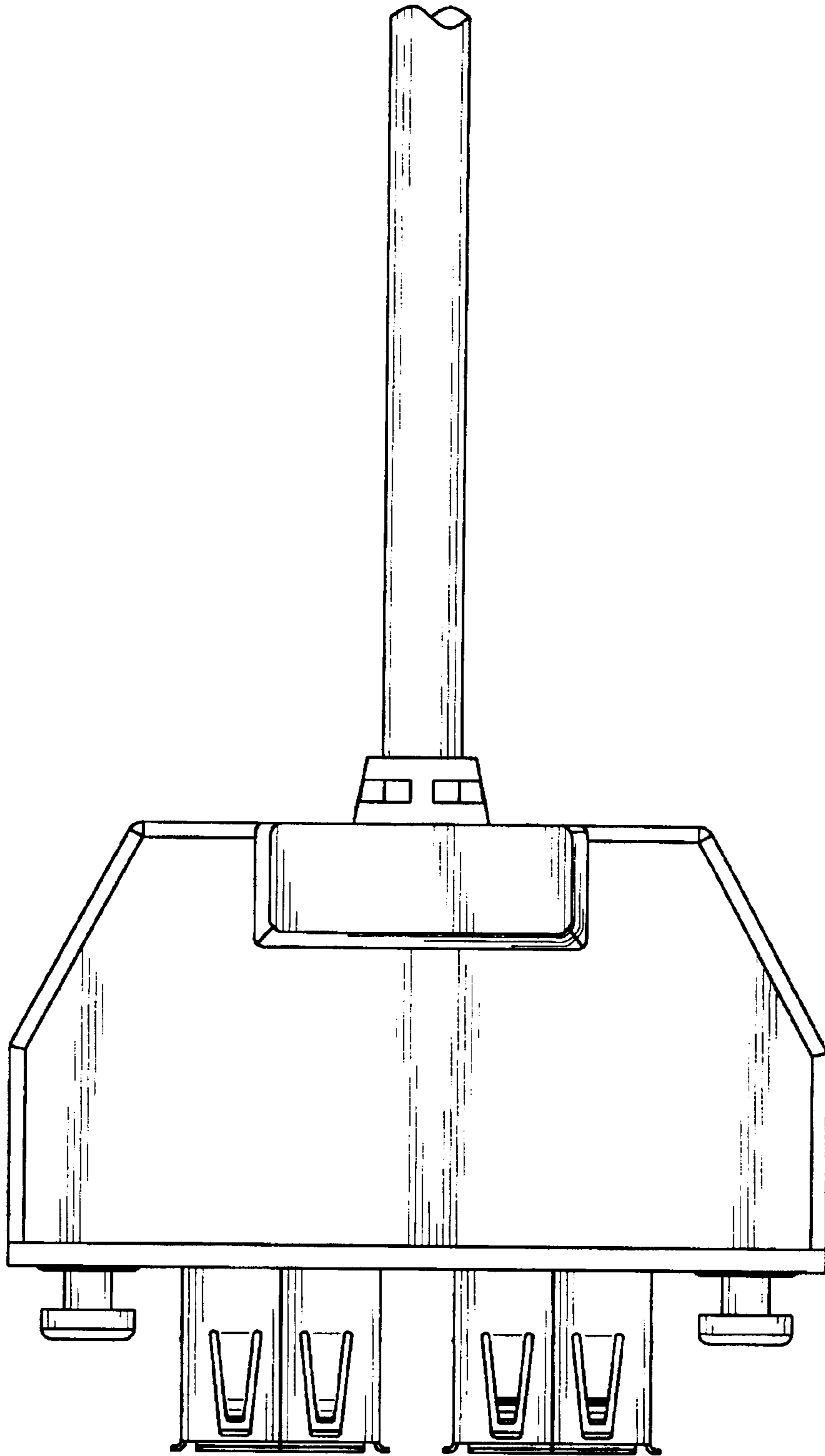


FIG. 6

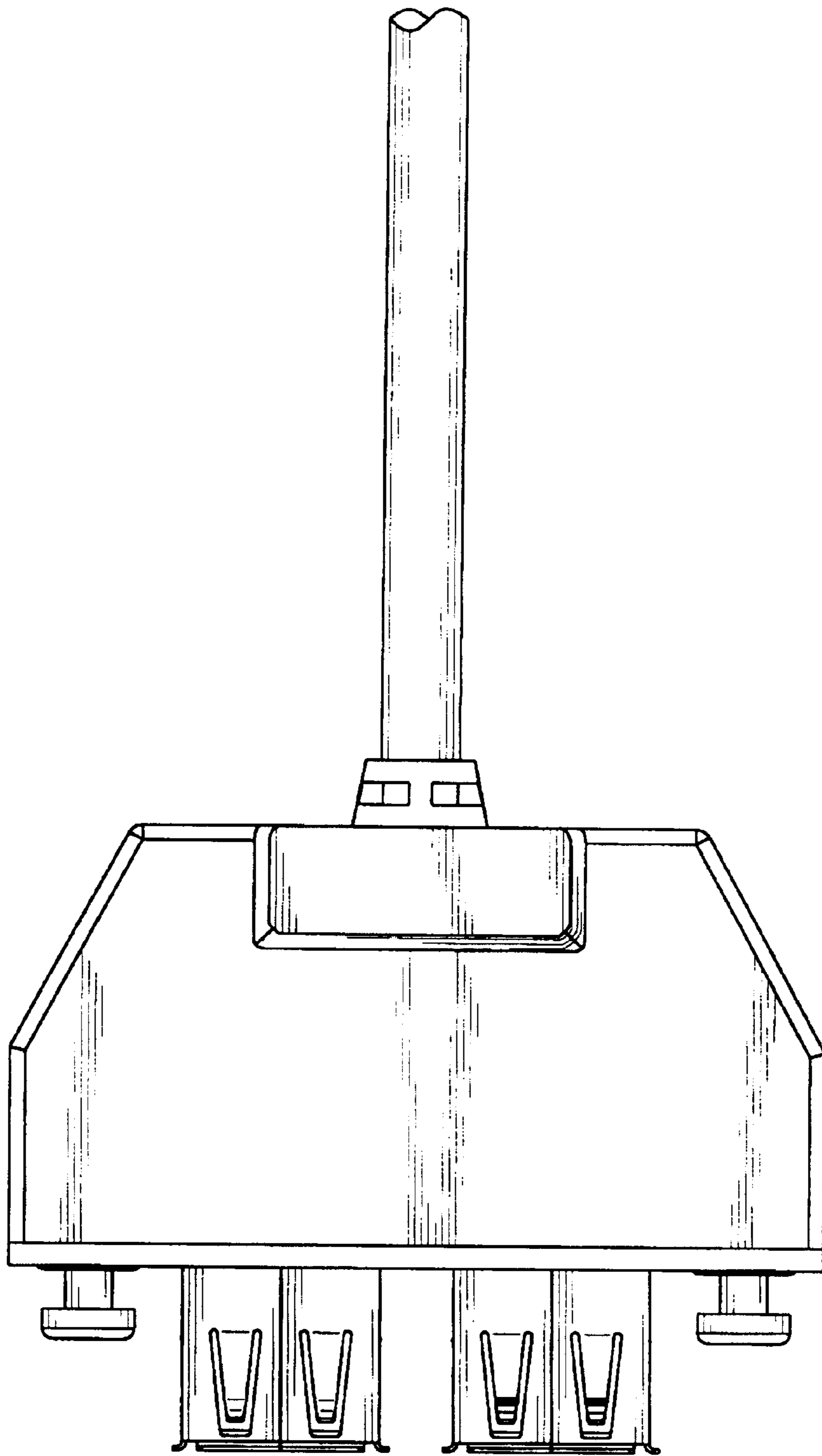


FIG. 7