



US00D426811S

United States Patent [19]

White et al.

[11] Patent Number: **Des. 426,811**

[45] Date of Patent: **** Jun. 20, 2000**

[54] **ELECTRICAL CONNECTOR**

[75] Inventors: **Rowland White**, Lunenburg; **Benjamin Misrahi**, Haverhill; **Kyle Brookshire**; **Christopher Ramm**, both of Arlington, all of Mass.; **Herb Hauser**, New York, N.Y.

[73] Assignee: **Molex Incorporated**, Lisle, Ill.

[**] Term: **14 Years**

[21] Appl. No.: **29/096,364**

[22] Filed: **Nov. 12, 1998**

[51] **LOC (7) Cl.** **13-03**

[52] **U.S. Cl.** **D13/147**

[58] **Field of Search** D13/133, 146, D13/147; 439/476.1, 483, 484, 352, 372

[56] **References Cited**

U.S. PATENT DOCUMENTS

D. 241,649	9/1976	Anderson et al.	D13/133 X
3,711,816	1/1973	Schumacher	439/352
4,990,099	2/1991	Marin et al.	D13/146 X

5,131,851	7/1992	Billger et al.	439/372 X
5,658,162	8/1997	Harting et al.	439/372
5,810,612	9/1998	Flask et al.	439/372 X

Primary Examiner—Joel Sincavage
Attorney, Agent, or Firm—A. A. Tirva

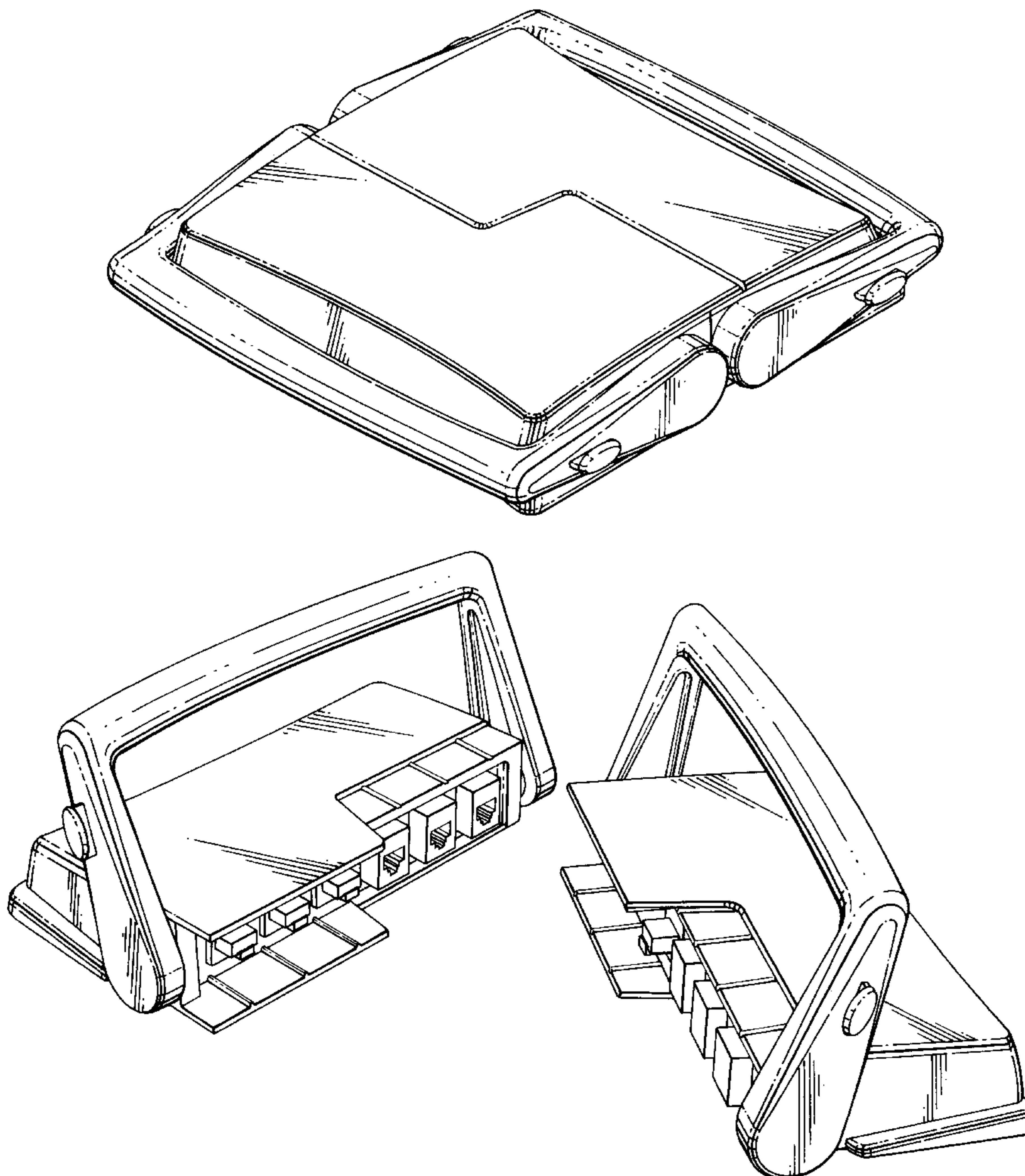
[57] **CLAIM**

The ornamental design for an electrical connector, as shown and described.

DESCRIPTION

FIG. 1 is a perspective view of an electrical connector embodying our design and shown in a closed position; FIG. 2 is a perspective view of an electrical connector embodying our design and shown in a slightly separated position; FIG. 3 is a perspective view of an electrical connector embodying our design and shown in a fully separated position; and, FIG. 4 is an underside view of an electrical connector embodying our design. The rear and left side of the electrical connector are the same as the front and right side respectively.

1 Claim, 4 Drawing Sheets



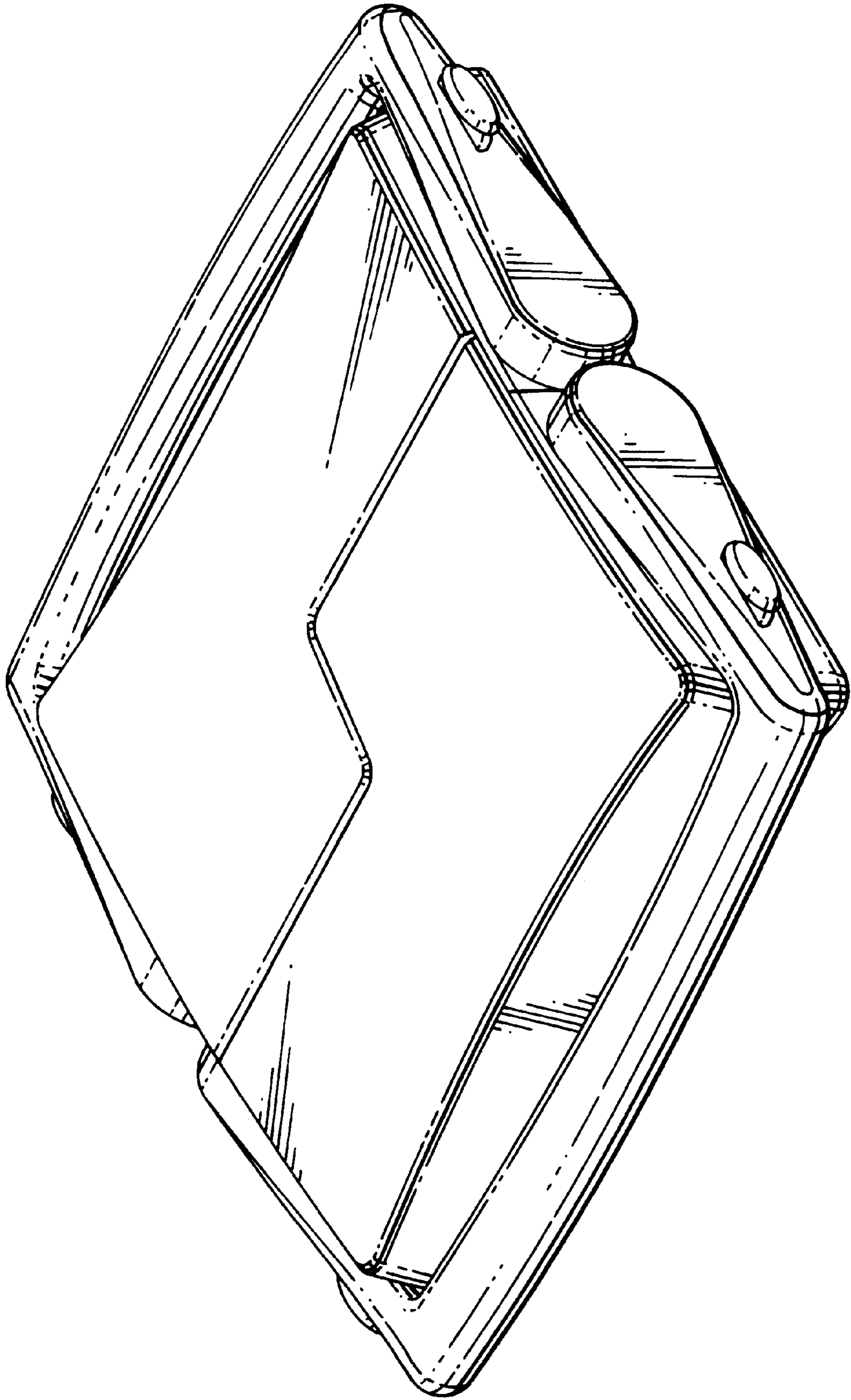


FIG. 1

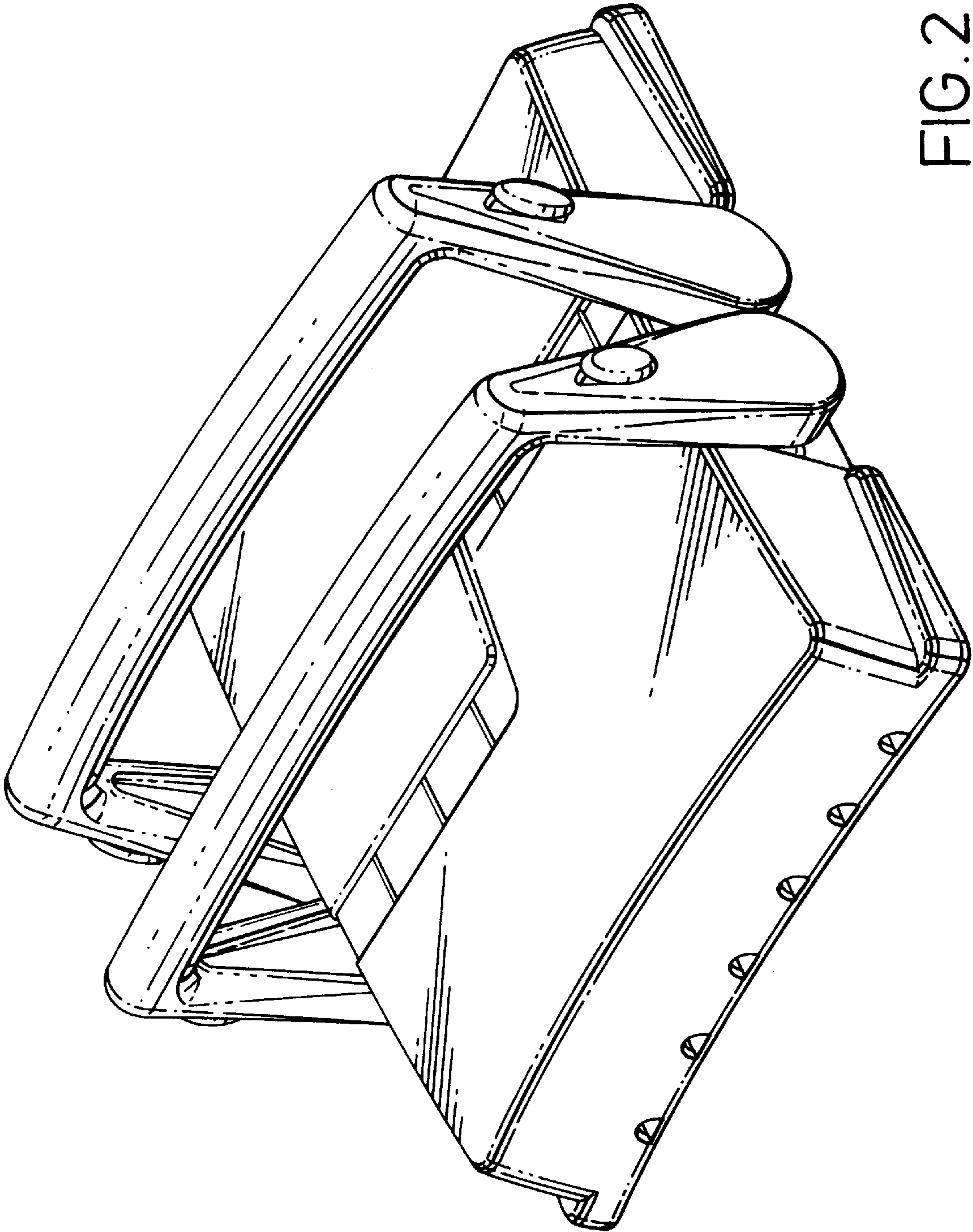


FIG. 2

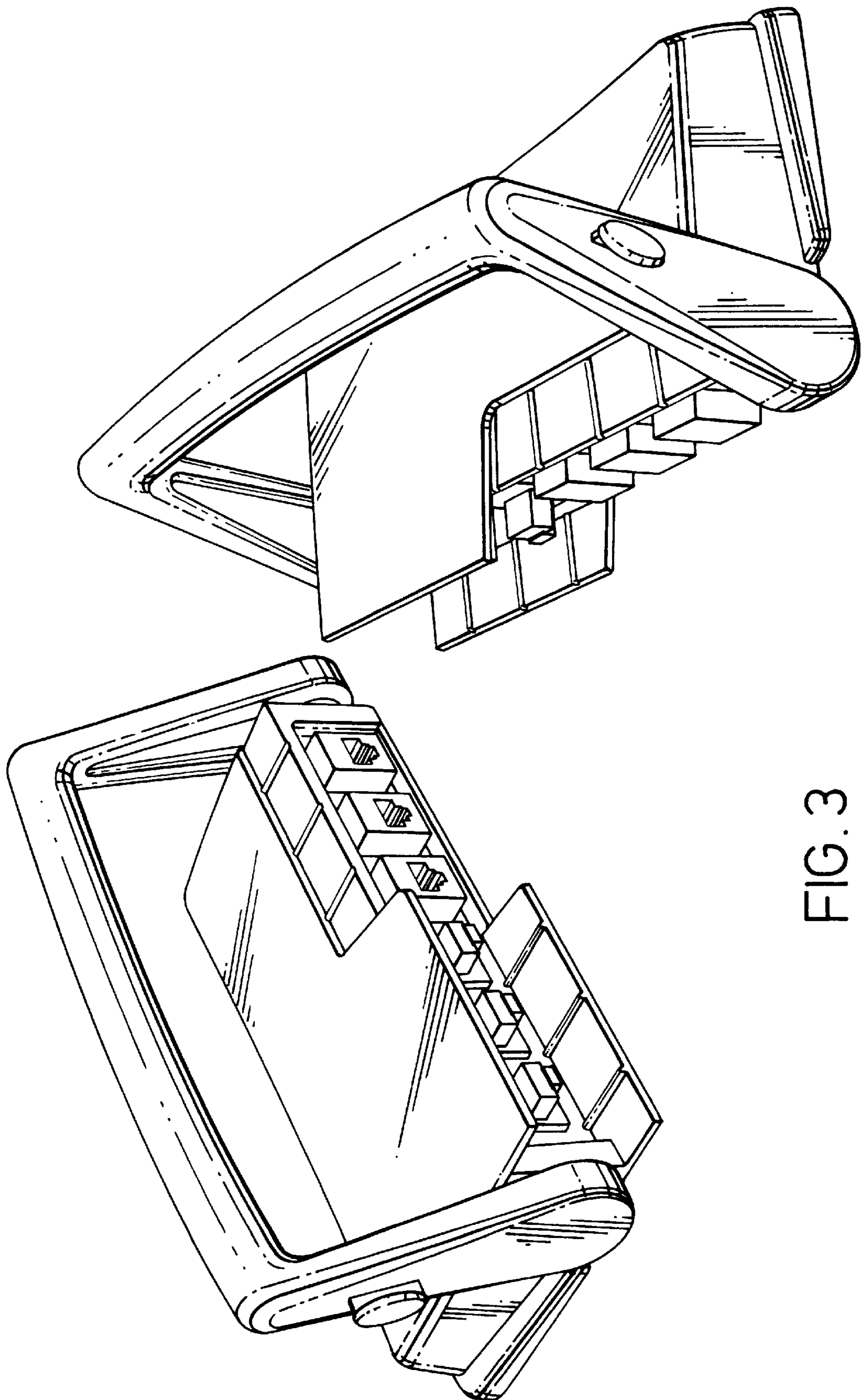


FIG. 3

FIG. 4

