



US00D426810S

United States Patent [19] Wei

[11] **Patent Number: Des. 426,810**

[45] **Date of Patent: ** Jun. 20, 2000**

[54] **POWER INVERTER**

[76] Inventor: **Cheng Tsung Wei**, No. 48, Lane 798,
Tan Wan Road, Yung Kang Shih, Tainan
Hsien, Taiwan

[**] Term: **14 Years**

[21] Appl. No.: **29/114,052**

[22] Filed: **Nov. 18, 1999**

[51] **LOC (7) Cl.** **13-02**

[52] **U.S. Cl.** **D13/110**

[58] **Field of Search** D13/110, 184;
D14/188; 363/141; 361/690, 704, 707,
715, 730, 622

[56] **References Cited**

U.S. PATENT DOCUMENTS

D. 332,443	1/1993	Sharpe	D13/184
D. 337,114	7/1993	Mantz	D14/188
D. 343,395	1/1994	Kakizaki	D14/188
D. 349,682	8/1994	Hunziker	D13/110
D. 365,082	12/1995	Cook, II et al.	D13/110
D. 386,761	11/1997	Pleitz	D14/188

D. 387,333	12/1997	Pellow et al.	D13/184
D. 401,216	11/1998	Person et al.	D13/110
D. 413,567	9/1999	Person et al.	D13/110
5,347,211	9/1994	Jakubowski	363/146 X
5,521,792	5/1996	Pleitz et al.	361/715
5,742,478	4/1998	Wu	361/704
5,909,358	6/1999	Bradt	361/707
5,949,640	9/1999	Cameron et al.	361/622 X

Primary Examiner—Joel Sincavage
Attorney, Agent, or Firm—Bacon & Thomas

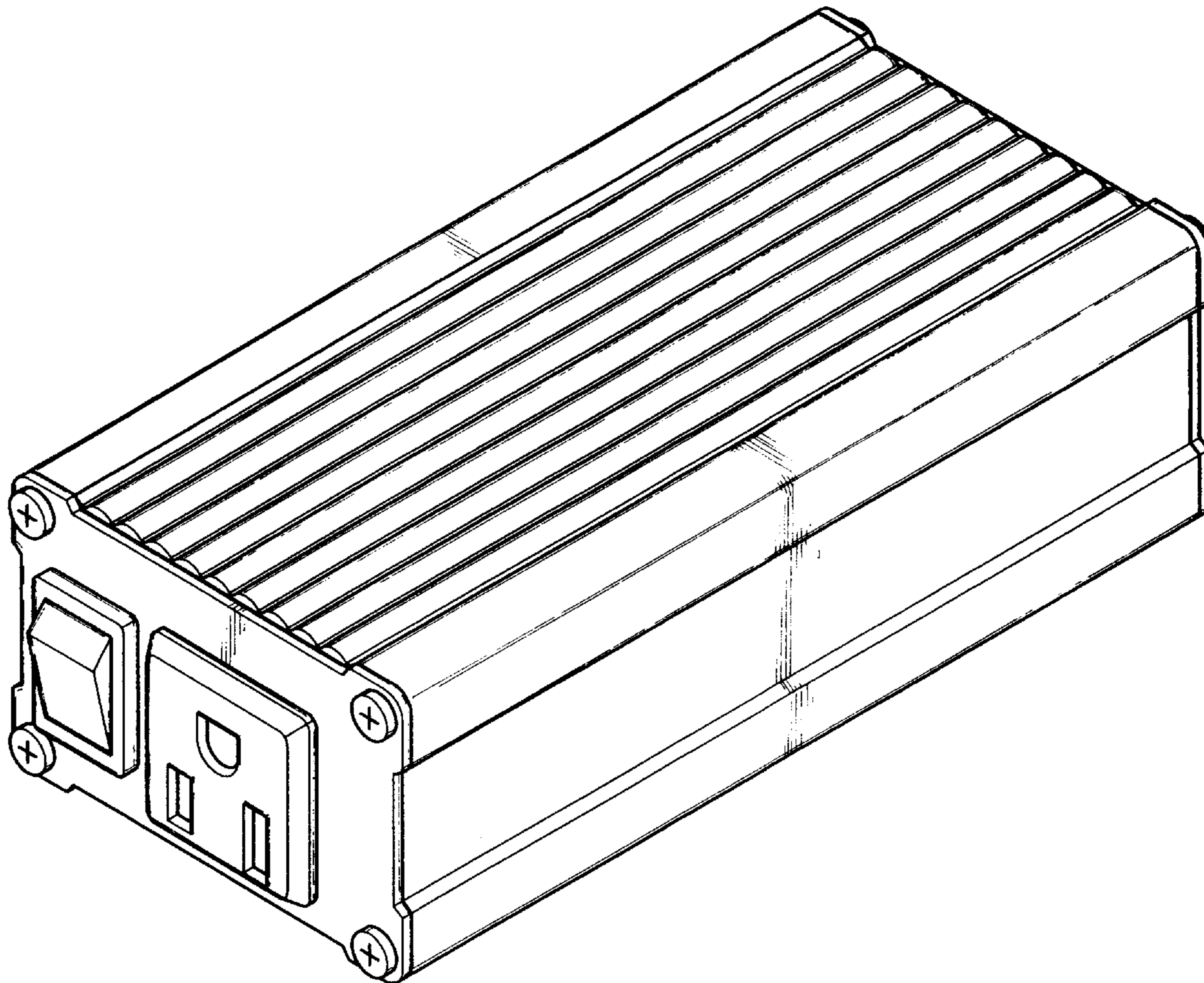
[57] **CLAIM**

The ornamental design for a power inverter, as shown and described.

DESCRIPTION

FIG. 1 is a perspective view of a power inverter showing my new design;
FIG. 2 is a right side elevational view thereof;
FIG. 3 is a top plan view thereof;
FIG. 4 is a front elevational view thereof;
FIG. 5 is a bottom plan view thereof;
FIG. 6 is a left elevational view thereof; and,
FIG. 7 is a rear elevational view.

1 Claim, 4 Drawing Sheets



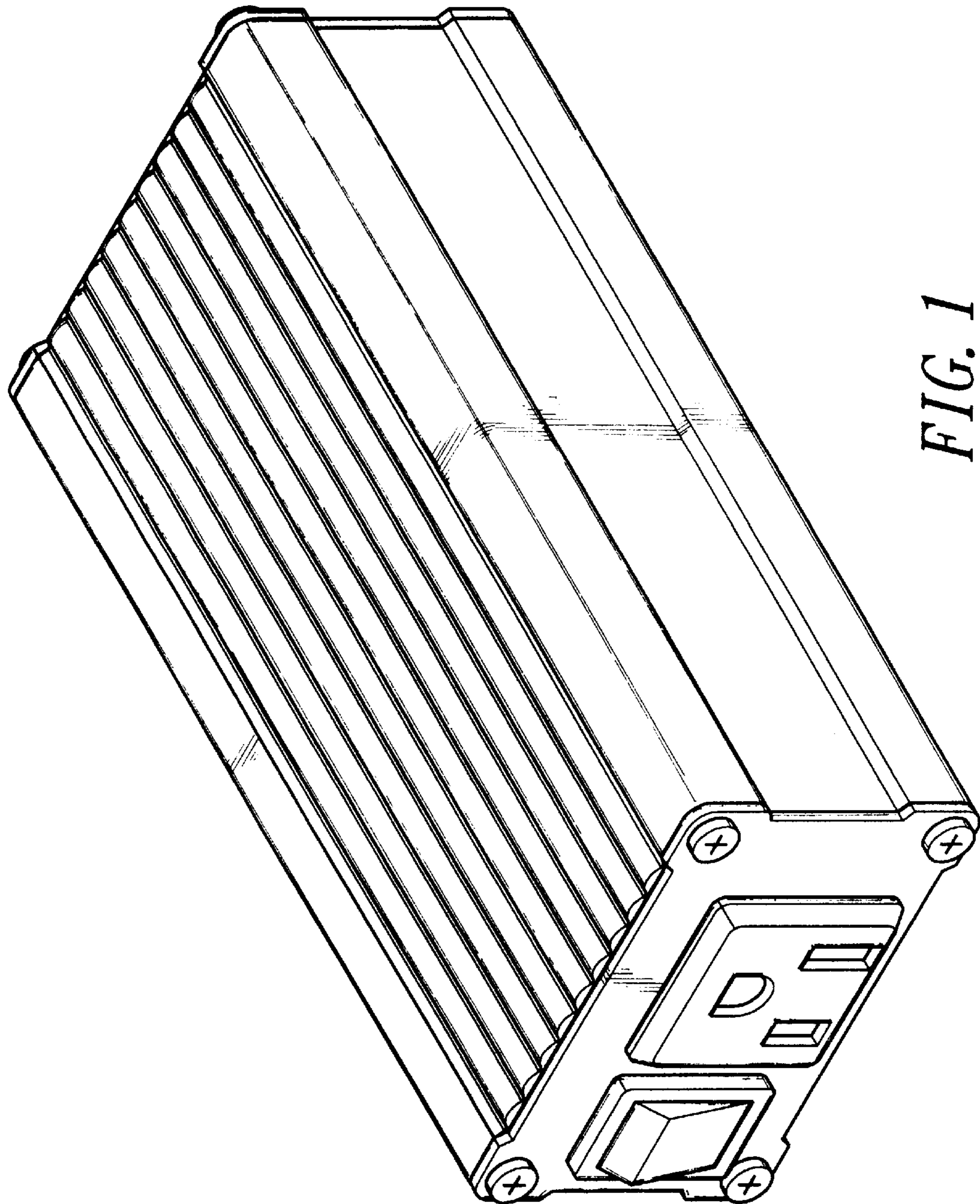


FIG. 1

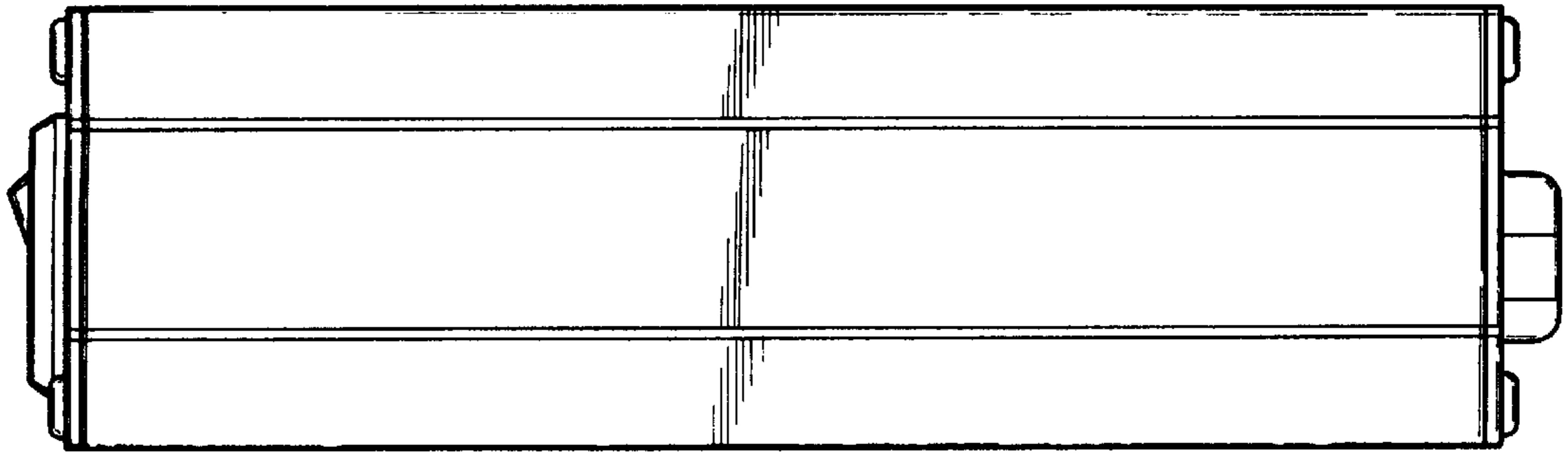


FIG. 2

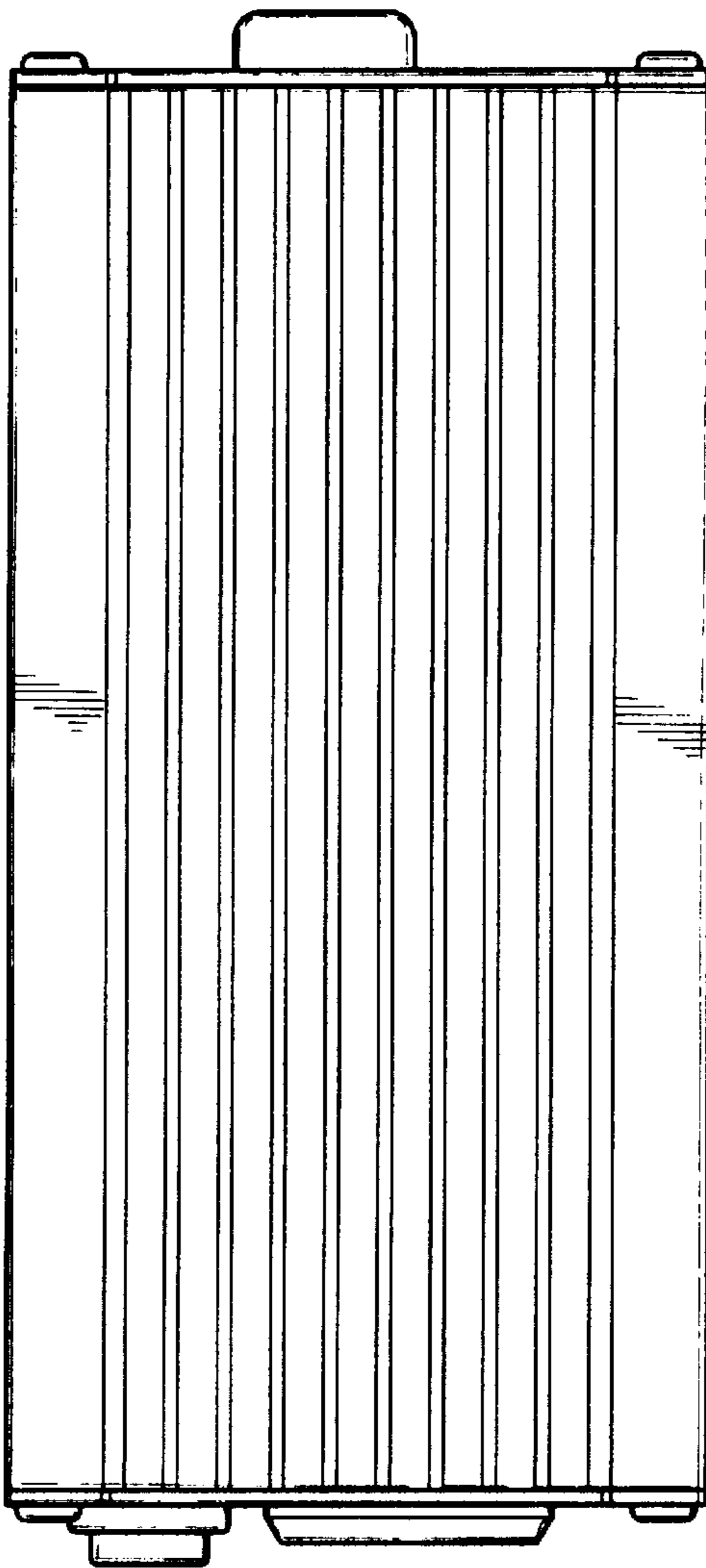


FIG. 3

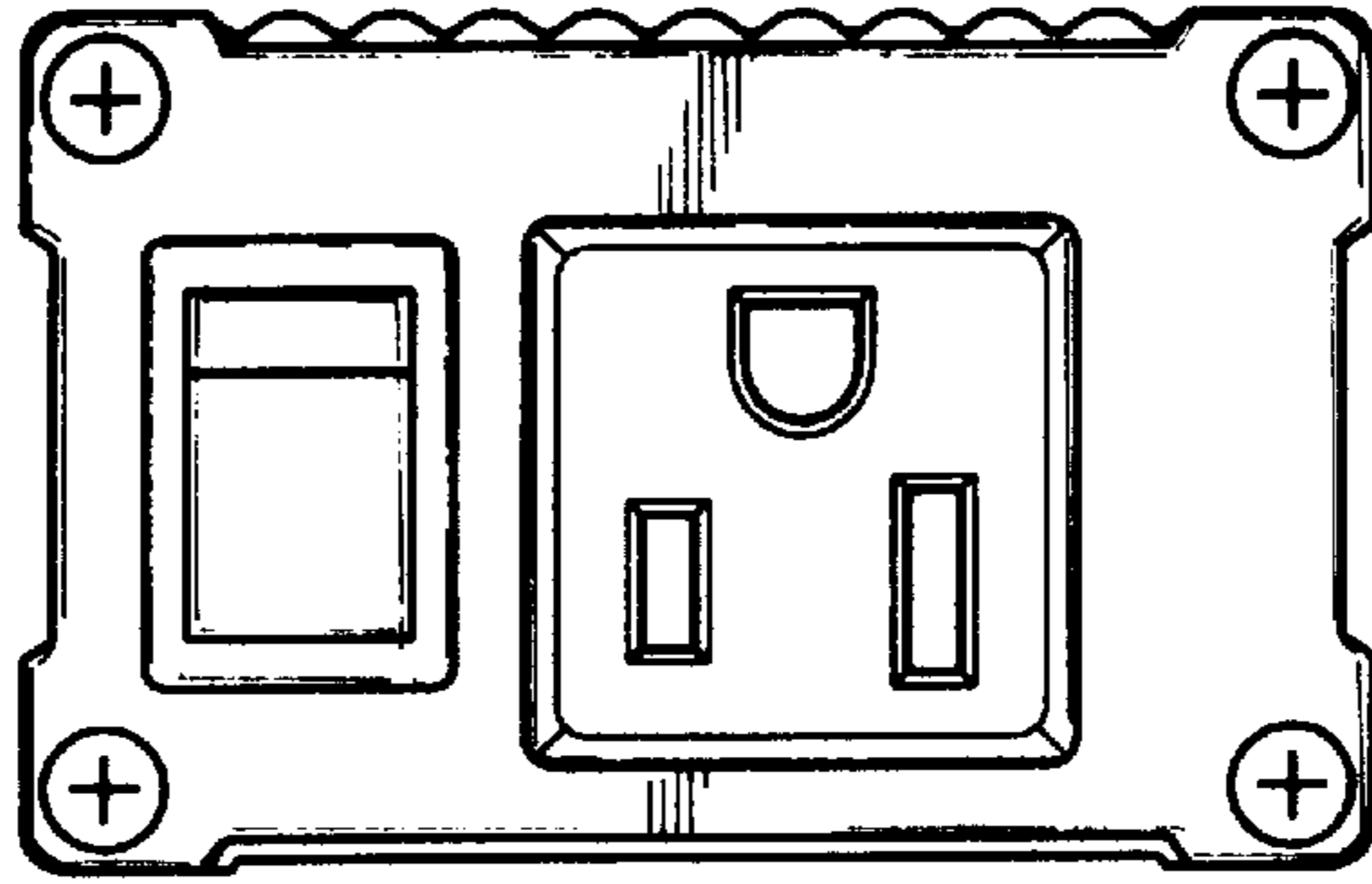


FIG. 4

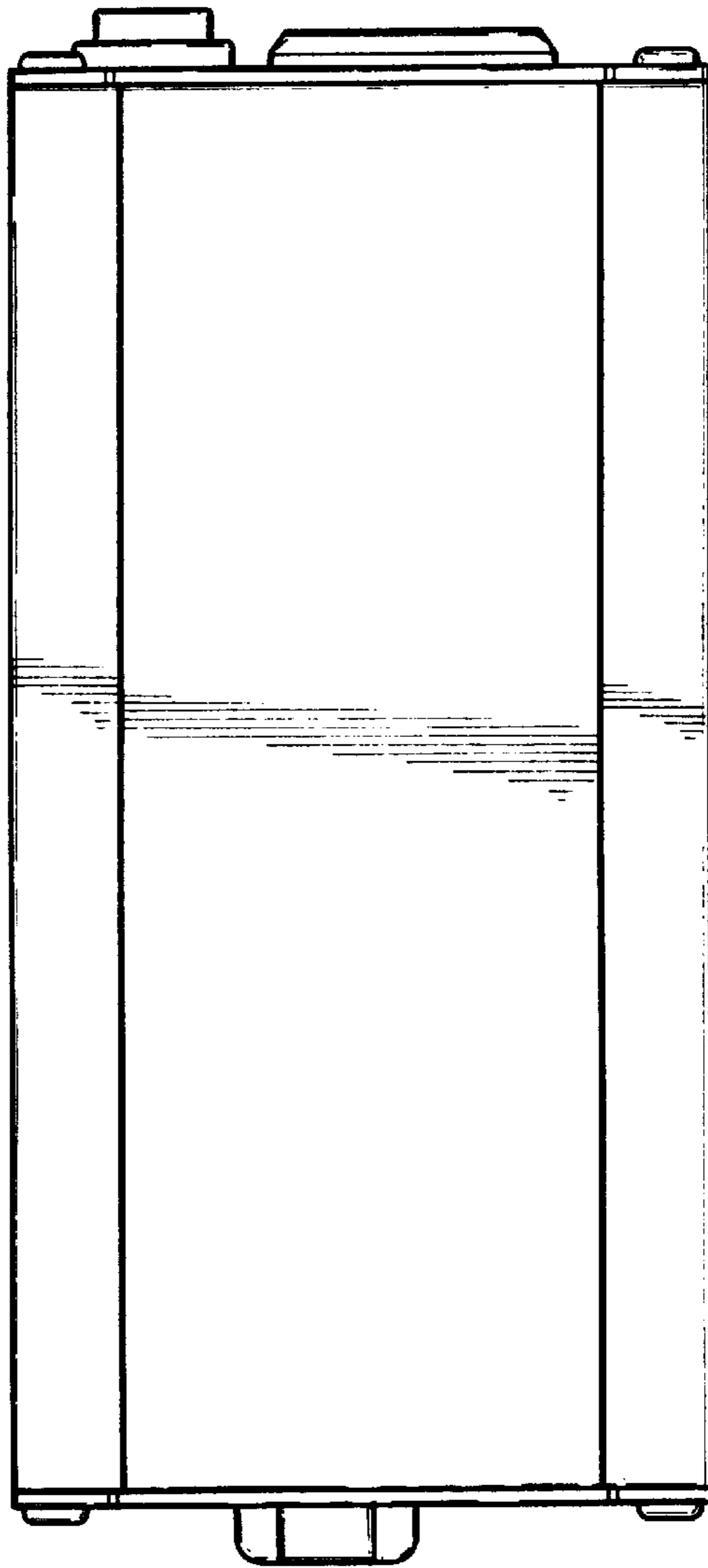


FIG. 5

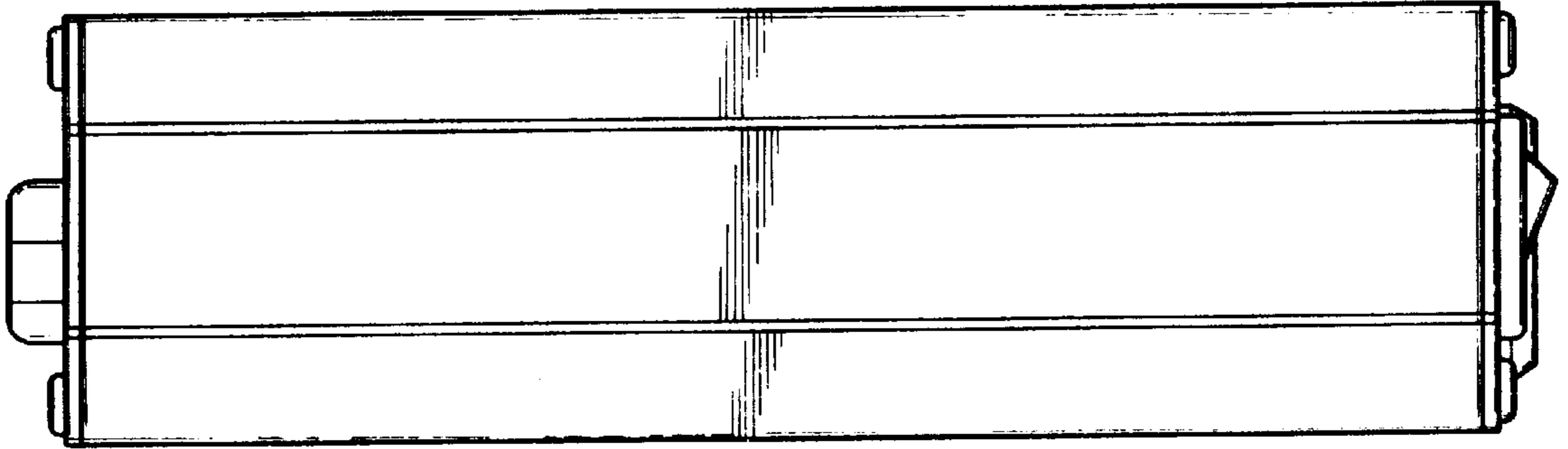


FIG. 6

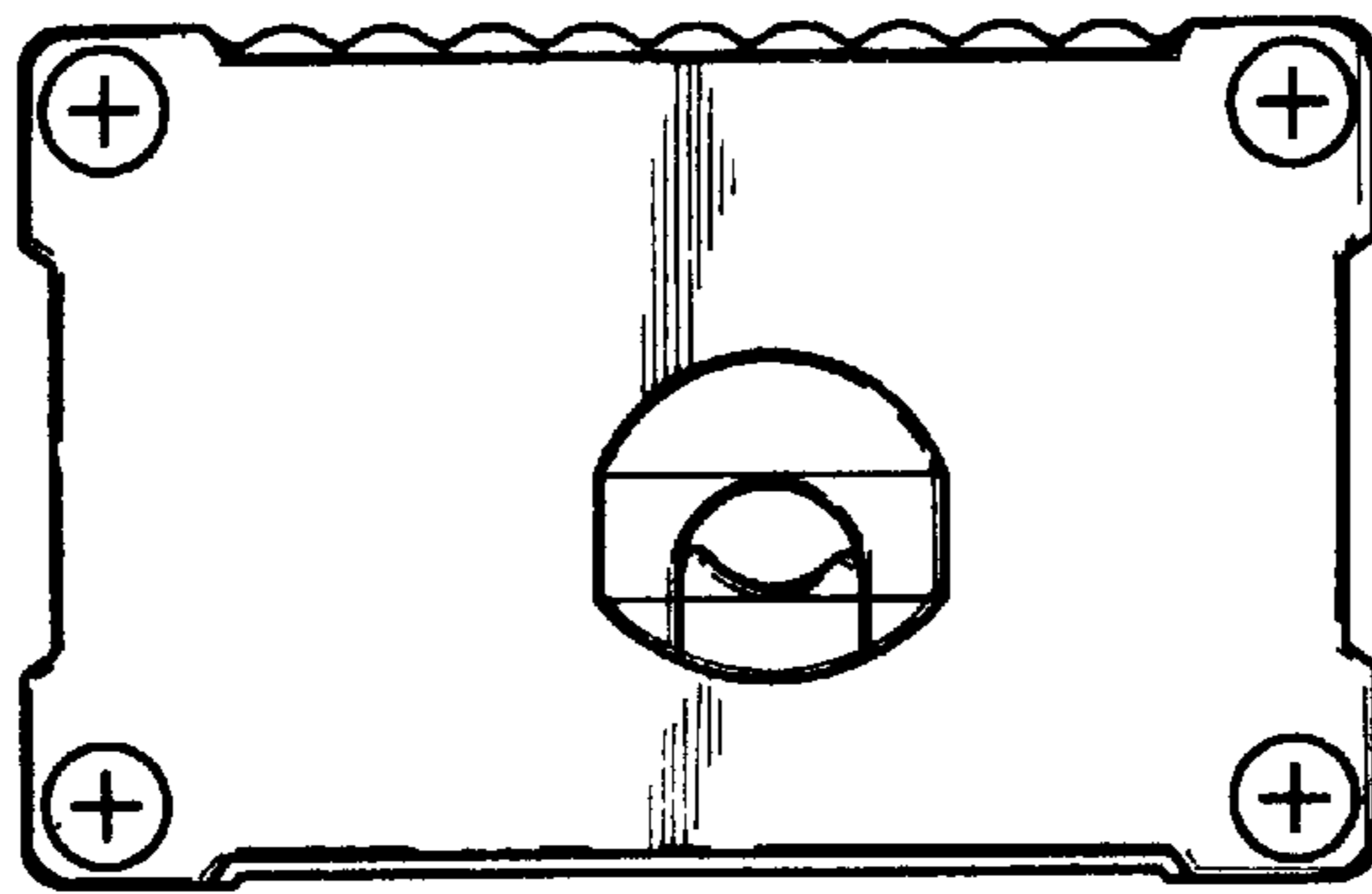


FIG. 7