



US00D426809S

# United States Patent [19]

Stevens et al.

[11] Patent Number: **Des. 426,809**

[45] Date of Patent: **\*\* Jun. 20, 2000**

[54] **POWER SUPPLY APPARATUS FOR MANICURIST TOOL**

[75] Inventors: **Christopher T. Stevens**, Laguna Niguel; **Richard B. Hurter**, Burbank, both of Calif.

[73] Assignee: **Kupa, Inc**, Buena Park, Calif.

[\*\*] Term: **14 Years**

[21] Appl. No.: **29/078,167**

[22] Filed: **Oct. 22, 1997**

[51] **LOC (7) Cl.** ..... **13-02**

[52] **U.S. Cl.** ..... **D13/110**

[58] **Field of Search** ..... D13/110, 118, D13/123, 108; 307/150, 66

[56] **References Cited**

**U.S. PATENT DOCUMENTS**

|            |         |                  |       |         |
|------------|---------|------------------|-------|---------|
| D. 289,395 | 4/1987  | Bowers           | ..... | D13/110 |
| D. 302,677 | 8/1989  | Precht           | ..... | D13/108 |
| D. 349,883 | 8/1994  | Gallagher et al. | ..... | D13/108 |
| D. 400,166 | 10/1998 | Concari et al.   | ..... | D13/108 |
| D. 407,064 | 3/1999  | Lebherz          | ..... | D13/108 |

*Primary Examiner*—Joel Sincavage  
*Attorney, Agent, or Firm*—G. Donald Weber, Jr.

[57] **CLAIM**

The ornamental design for a power supply apparatus for manicurist tool, as shown and described.

**DESCRIPTION**

FIG. 1 is a perspective view of the power supply apparatus for manicurist tool of the instant invention.

FIG. 2 is a top plan view of the power supply apparatus for manicurist tool of the instant invention.

FIG. 3 is a bottom plan view of the power supply apparatus for manicurist tool of the instant invention.

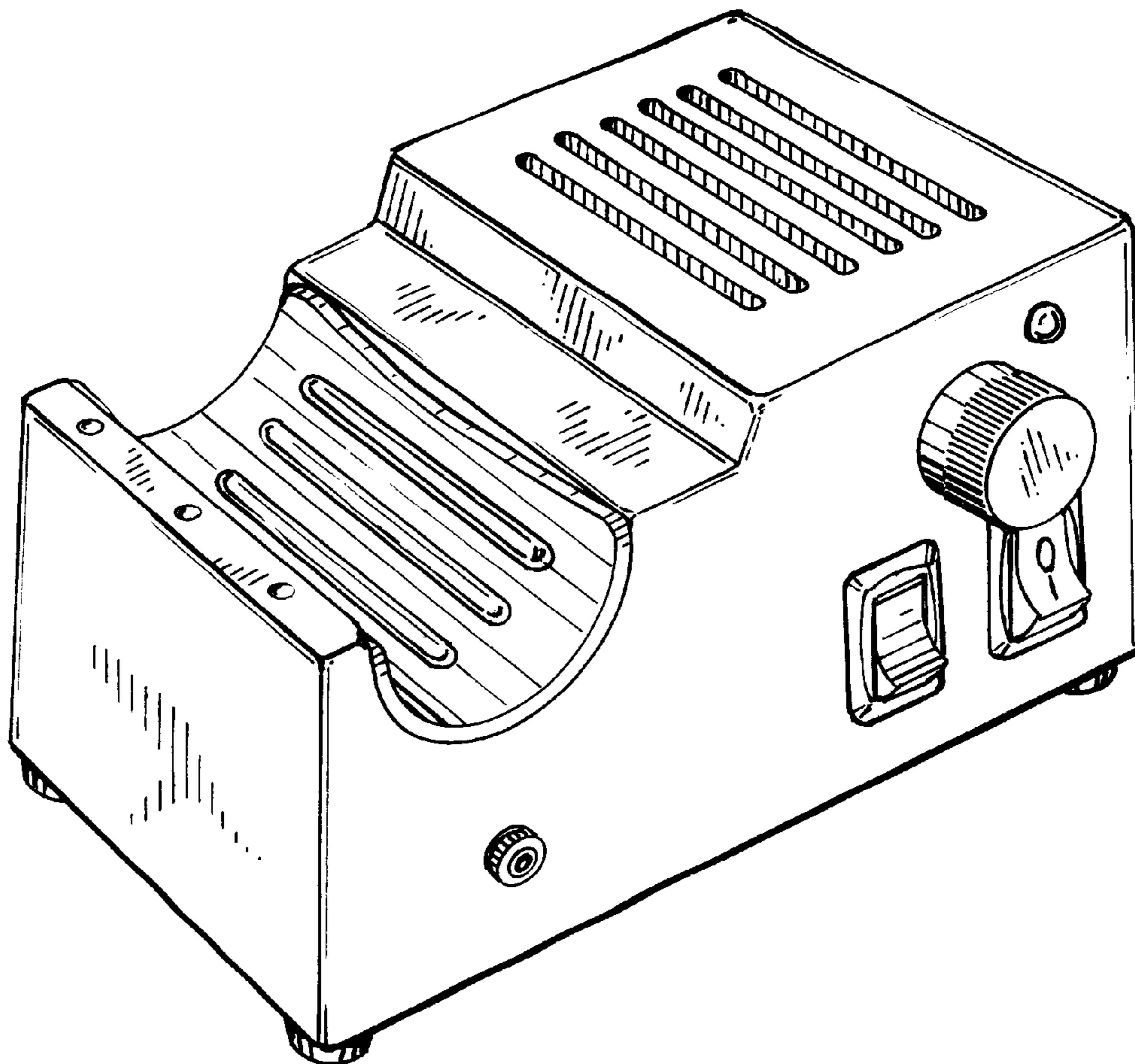
FIG. 4 is an elevation view of one end of the power supply apparatus for manicurist tool of the instant invention taken from the left of the power supply apparatus for manicurist tool shown in FIG. 1.

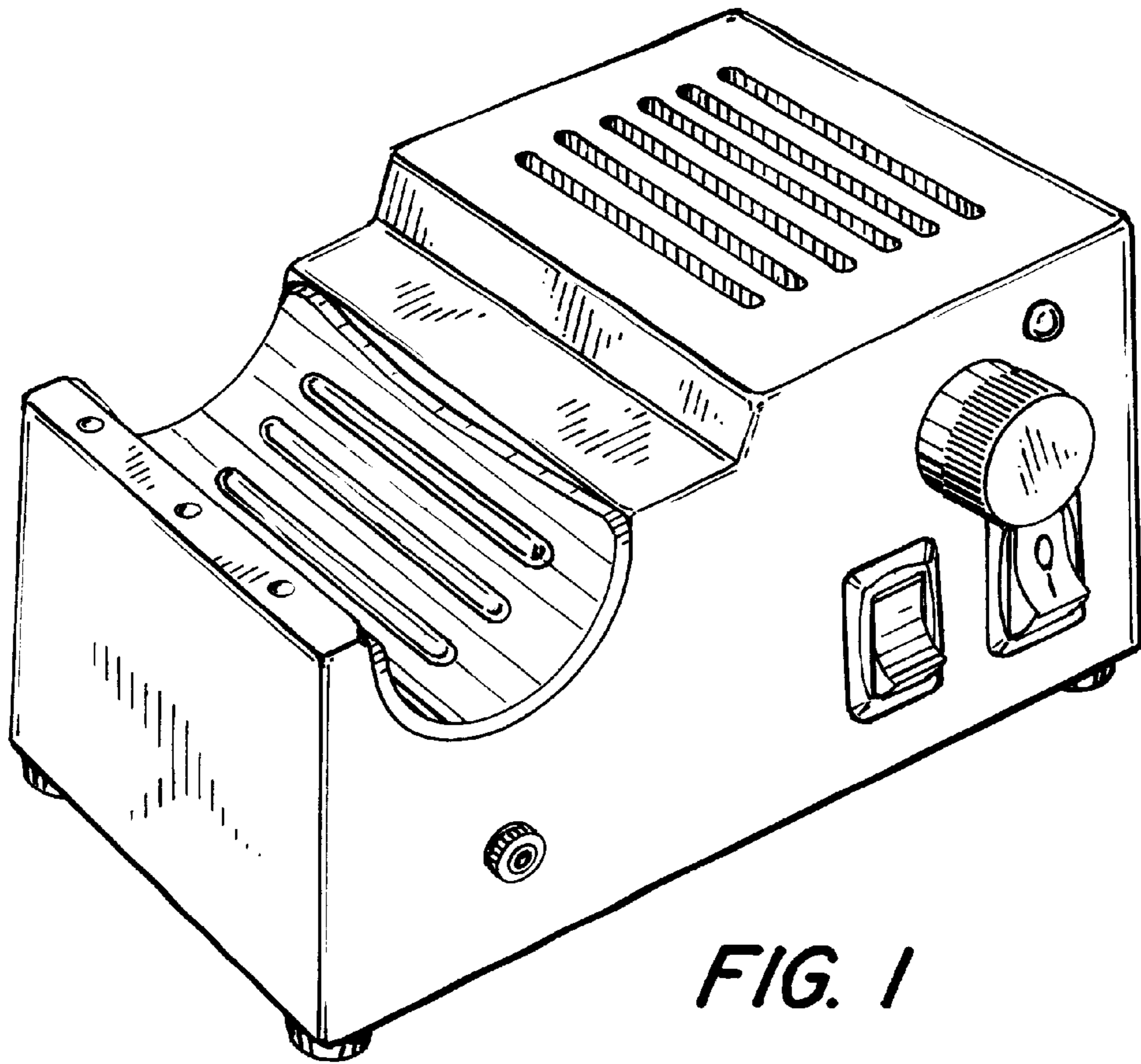
FIG. 5 is an elevation view of the opposite end of the power supply apparatus for manicurist tool of the instant invention taken from the right of the power supply apparatus for manicurist tool shown in FIG. 1.

FIG. 6 is a side elevation view of the power supply apparatus for manicurist tool of the instant invention taken from the left side of the power supply apparatus for manicurist tool shown in FIG. 2; and,

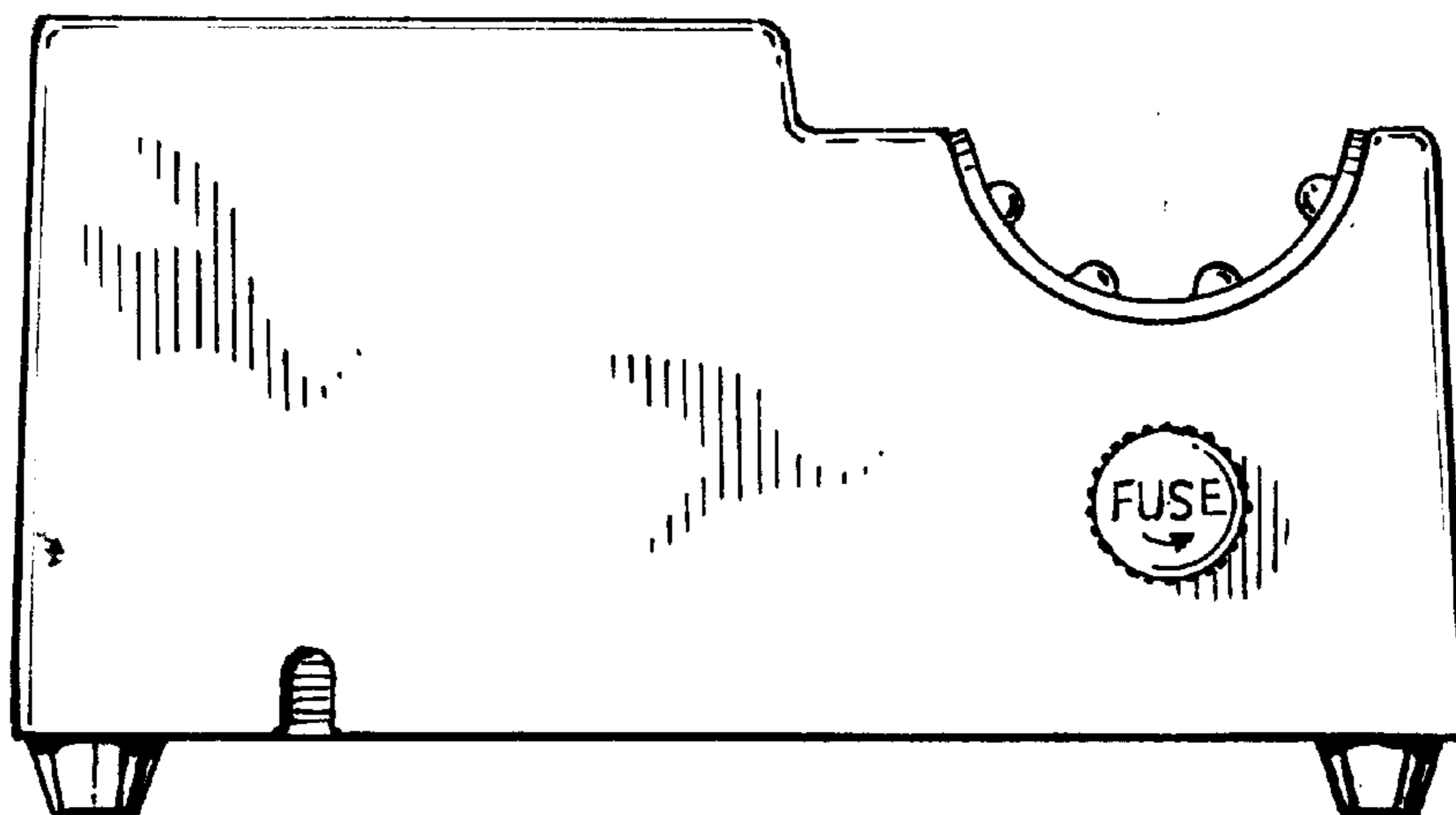
FIG. 7 is the opposite side elevation view of the power supply apparatus for manicurist tool of the instant invention taken from the right side of the power supply apparatus for manicurist tool shown in FIG. 2.

**1 Claim, 2 Drawing Sheets**



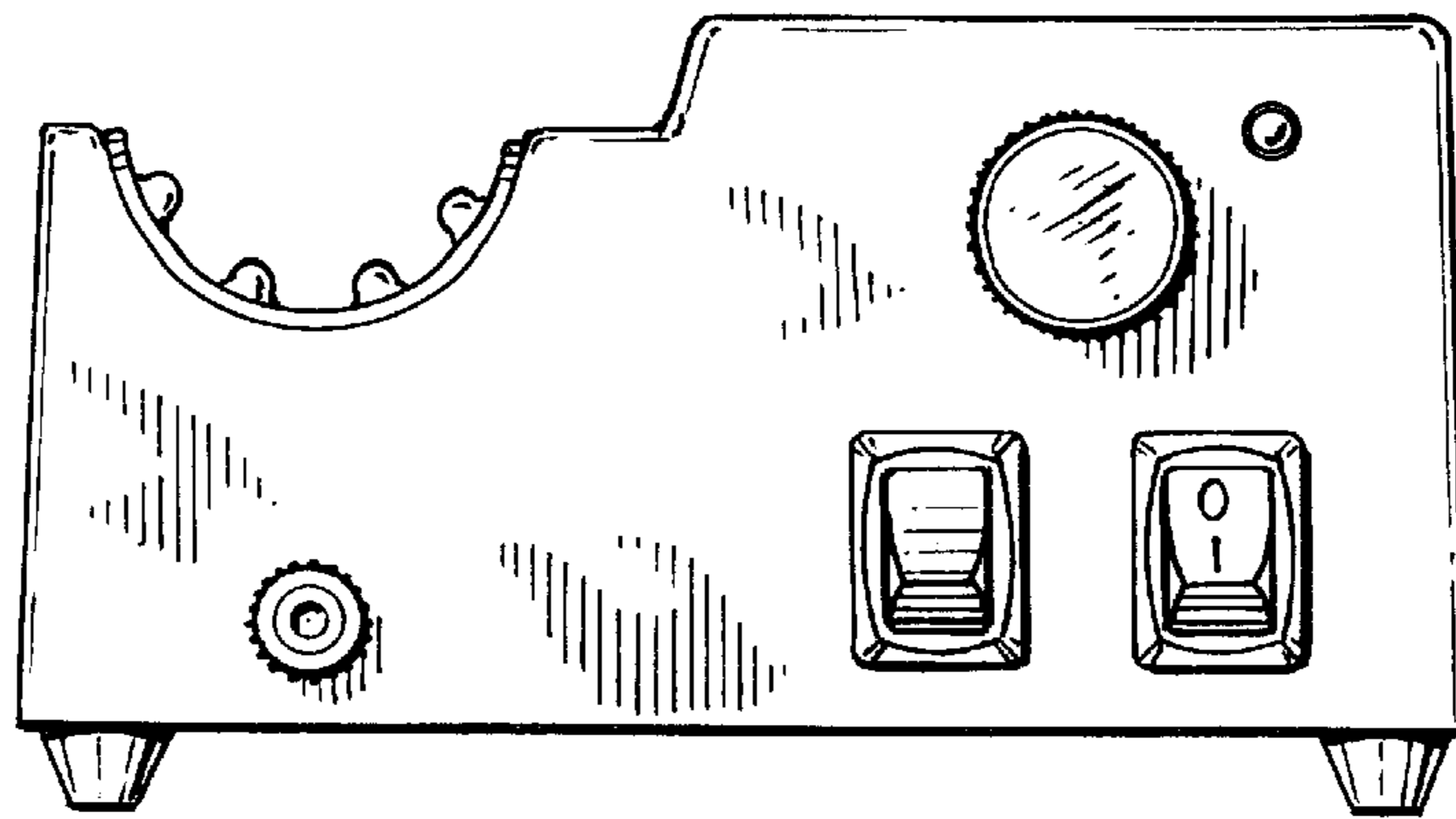


*FIG. 1*

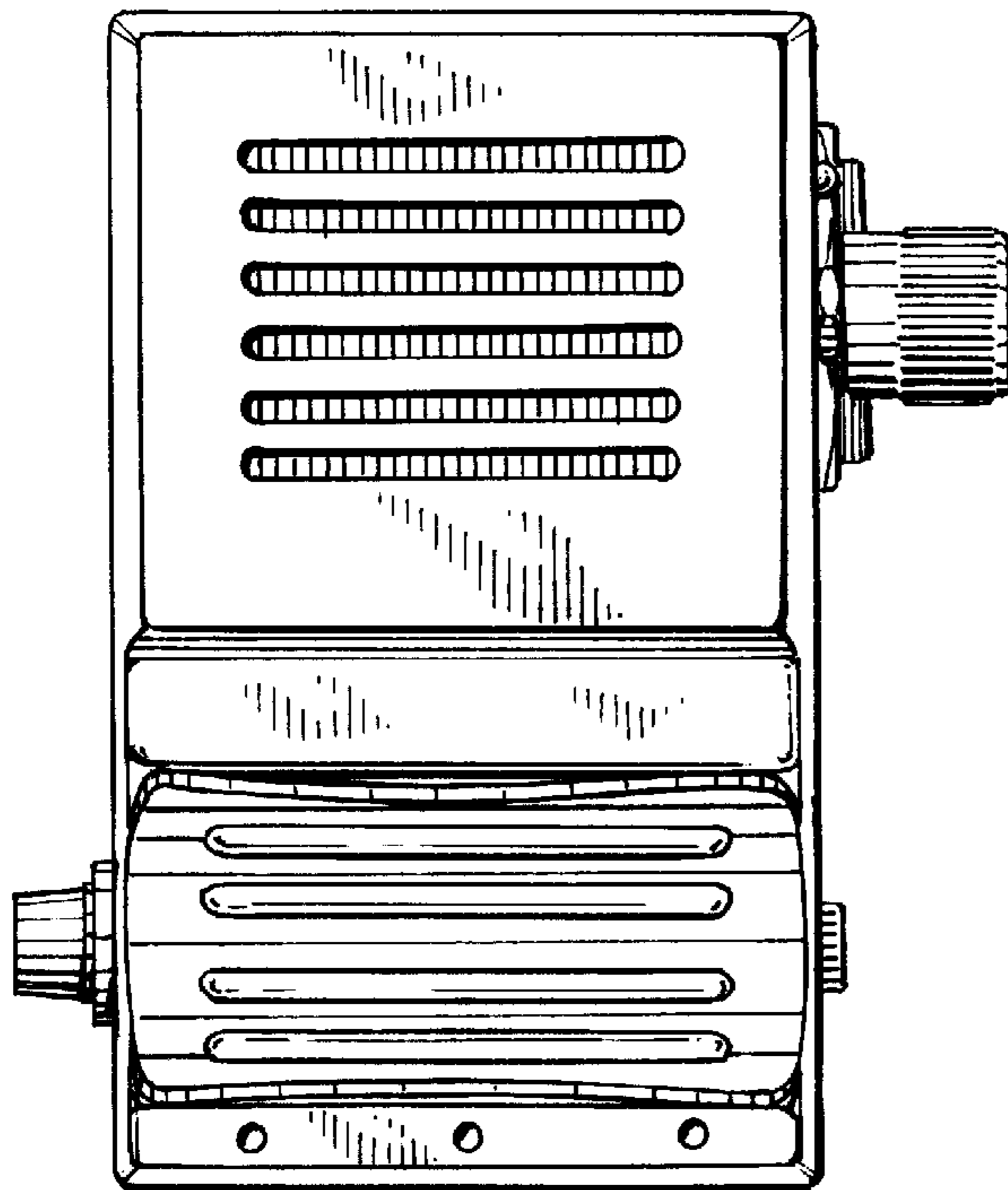


*FIG. 6*

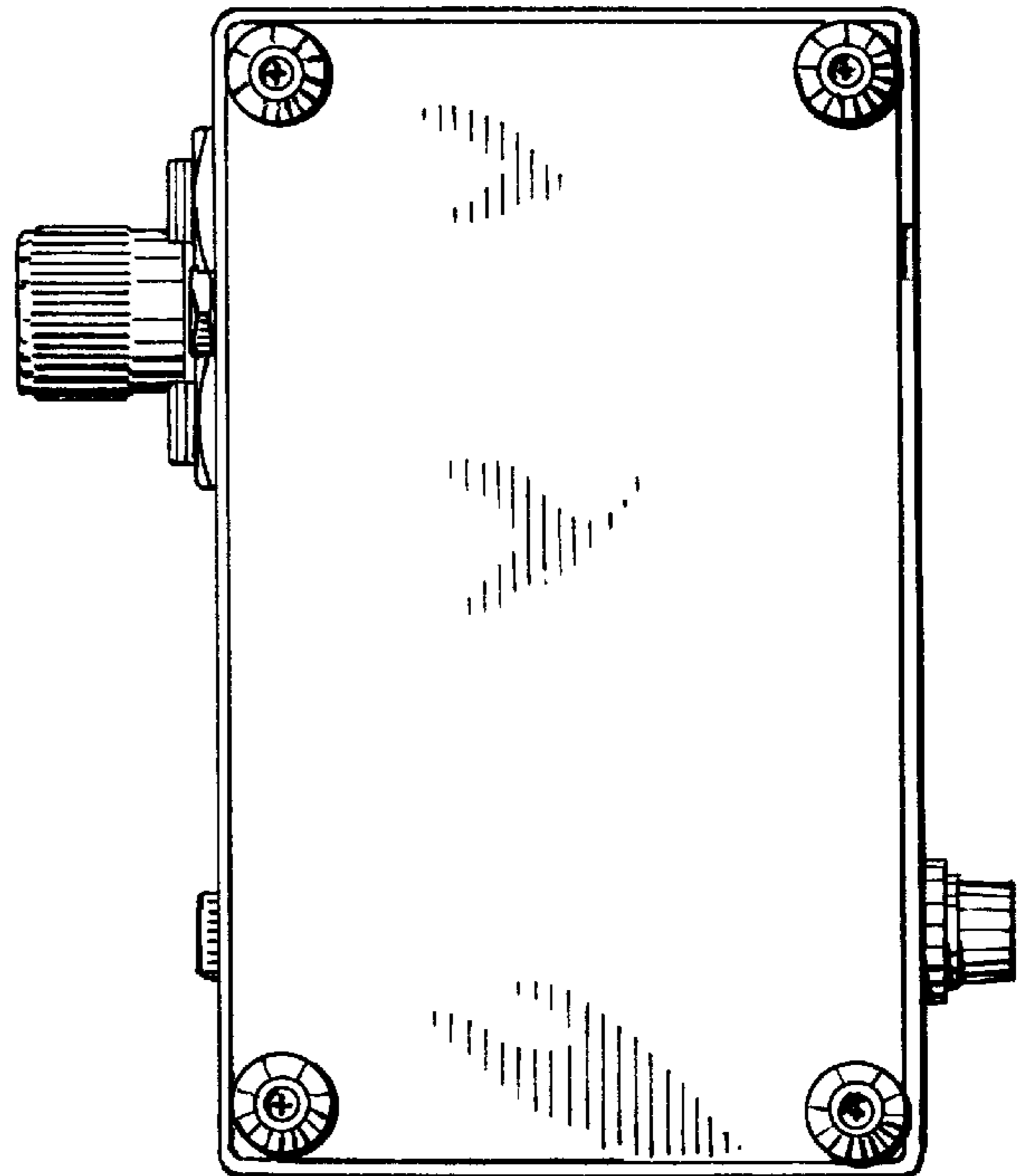
*FIG. 7*



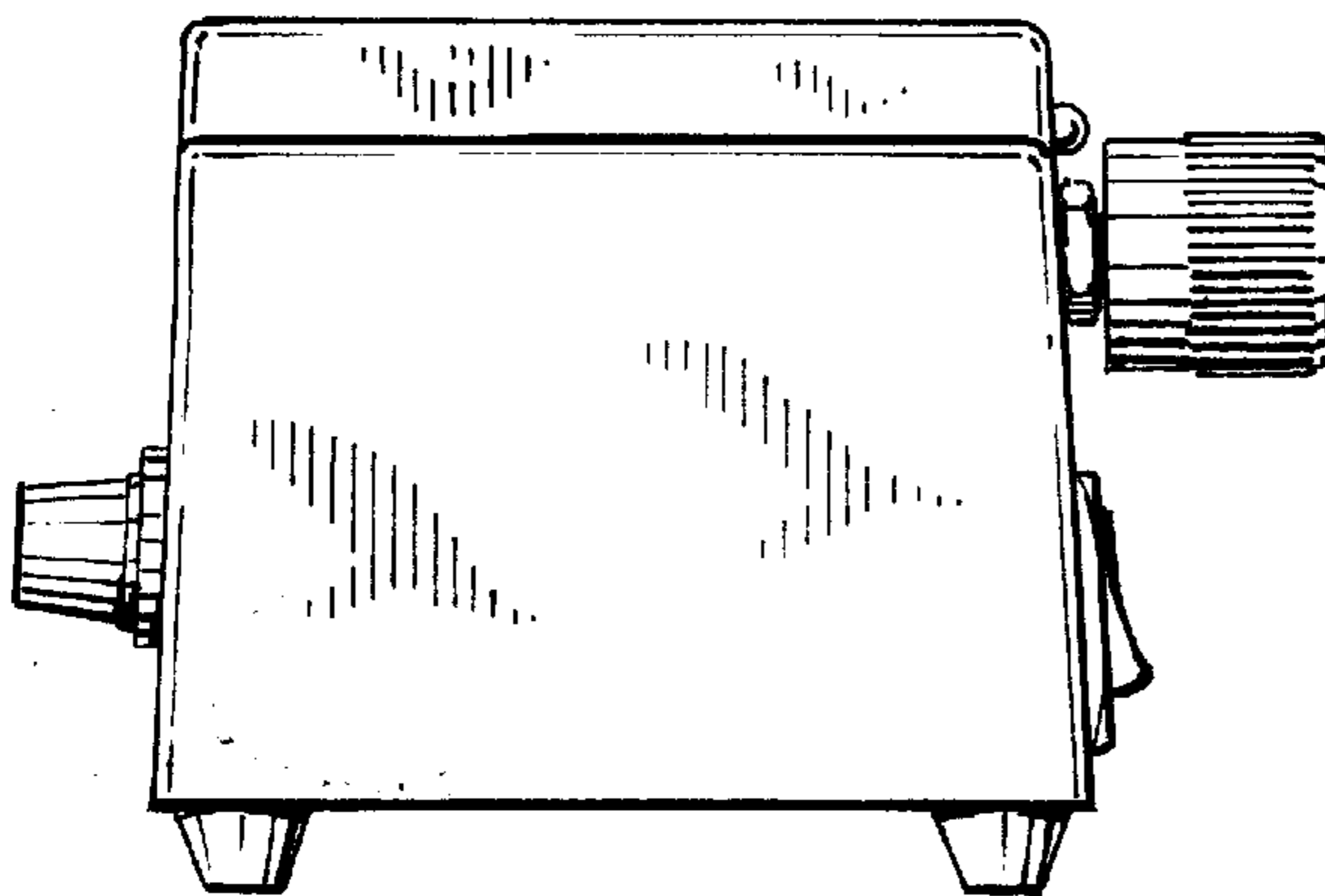
*FIG. 2*



*FIG. 3*



*FIG. 4*



*FIG. 5*

