



US00D426800S

United States Patent [19]
Zimmerman

[11] **Patent Number: Des. 426,800**
[45] **Date of Patent: ** Jun. 20, 2000**

[54] **TRUCK VEHICLE HOOD**

[75] Inventor: **Robert M. Zimmerman**, Kendallville, Ind.

[73] Assignee: **Navistar International Transportation Corp**

[**] Term: **14 Years**

[21] Appl. No.: **29/112,382**

[22] Filed: **Oct. 14, 1999**

[51] **LOC (7) Cl.** **12-08**

[52] **U.S. Cl.** **D12/173**

[58] **Field of Search** D12/173, 96; 180/69.2, 180/89.1, 89.12; 296/190

[56] **References Cited**

U.S. PATENT DOCUMENTS

D. 391,908 3/1998 Allendorph et al. D12/173

D. 394,624 5/1998 Allendorph et al. .
D. 401,198 11/1998 Muller et al. D12/173
D. 403,636 1/1999 Meryman et al. D12/173
D. 412,689 8/1999 Onopa D12/173

Primary Examiner—Melody N. Brown
Attorney, Agent, or Firm—Dennis Kelly Sullivan; Jeffrey P. Calfa

[57] **CLAIM**

The ornamental design for a truck vehicle hood, as shown and described.

DESCRIPTION

FIG. 1 is a left, front perspective view of a truck vehicle hood showing our new design;
FIG. 2 is a left side view thereof;
FIG. 3 is a right side view thereof;
FIG. 4 is a front view thereof; and,
FIG. 5 is a top view thereof.

1 Claim, 2 Drawing Sheets

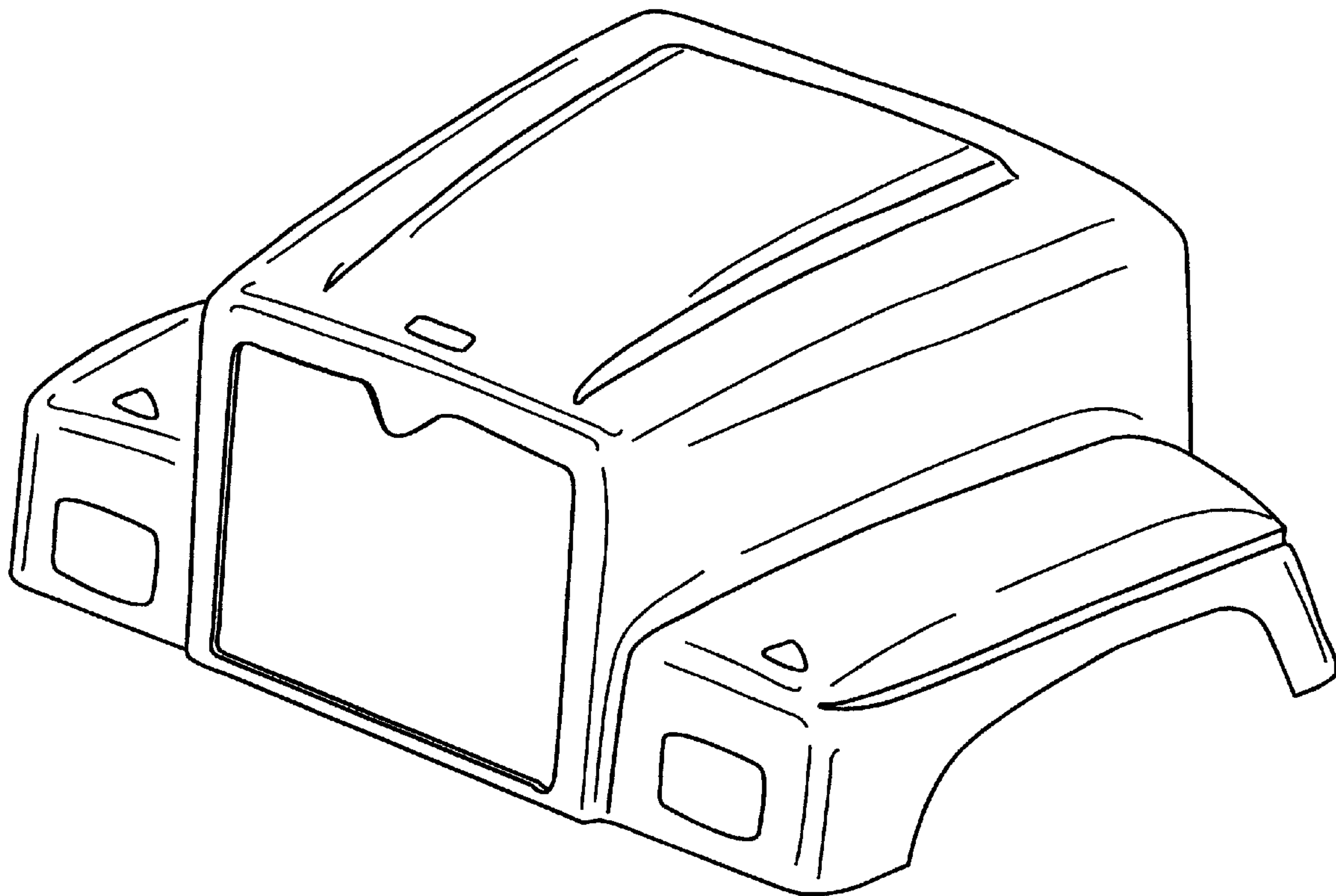


FIG. 1

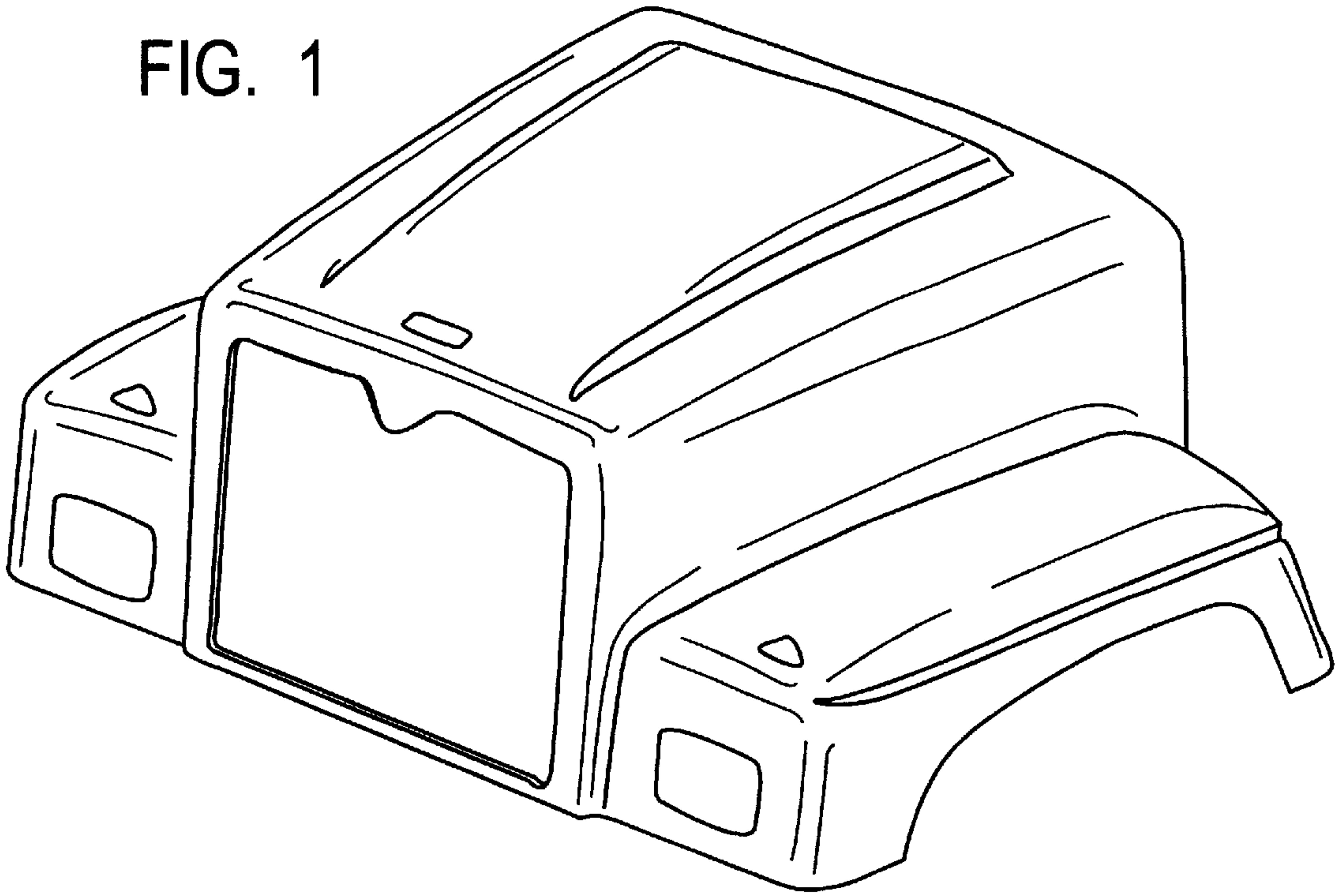


FIG. 2

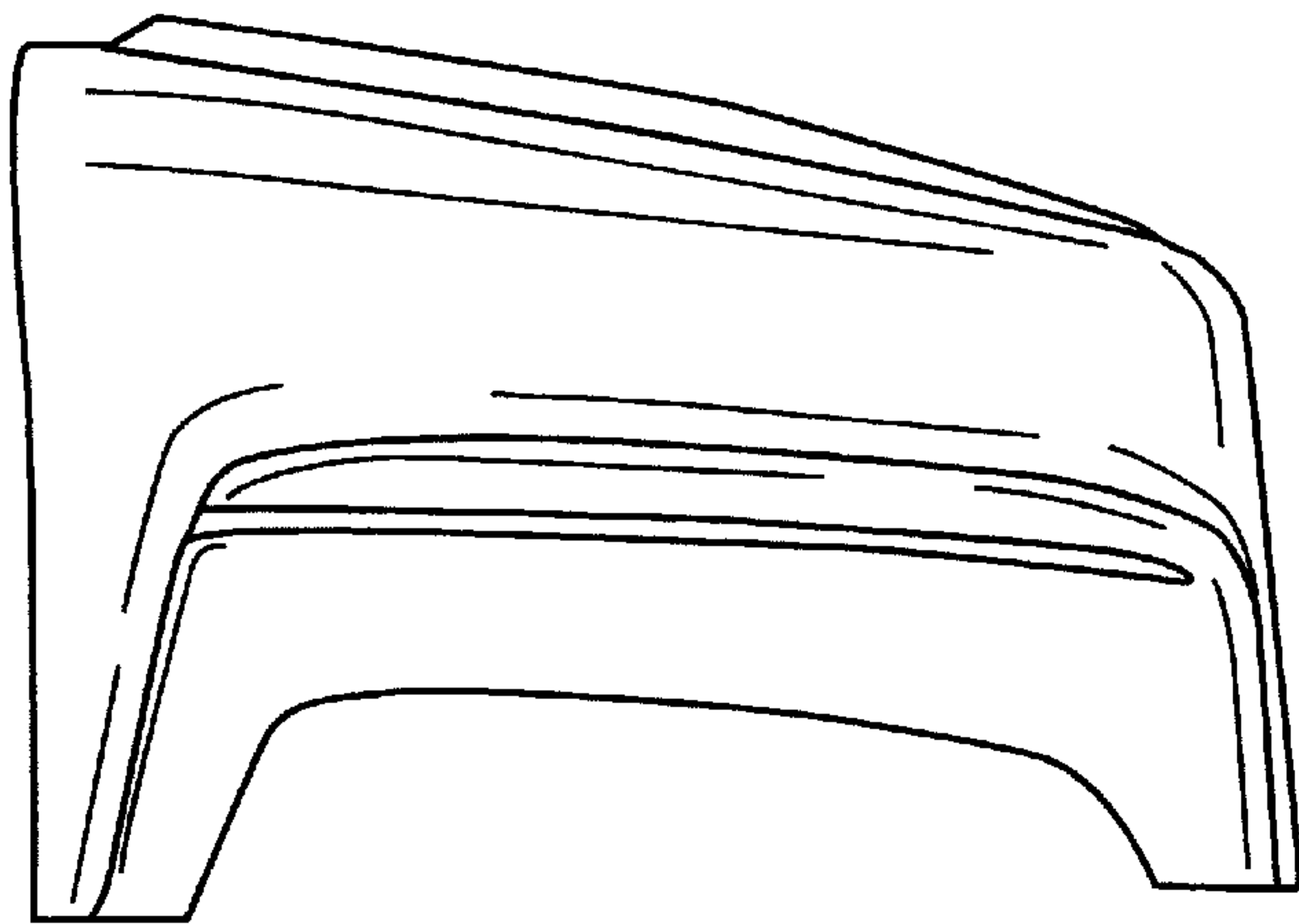
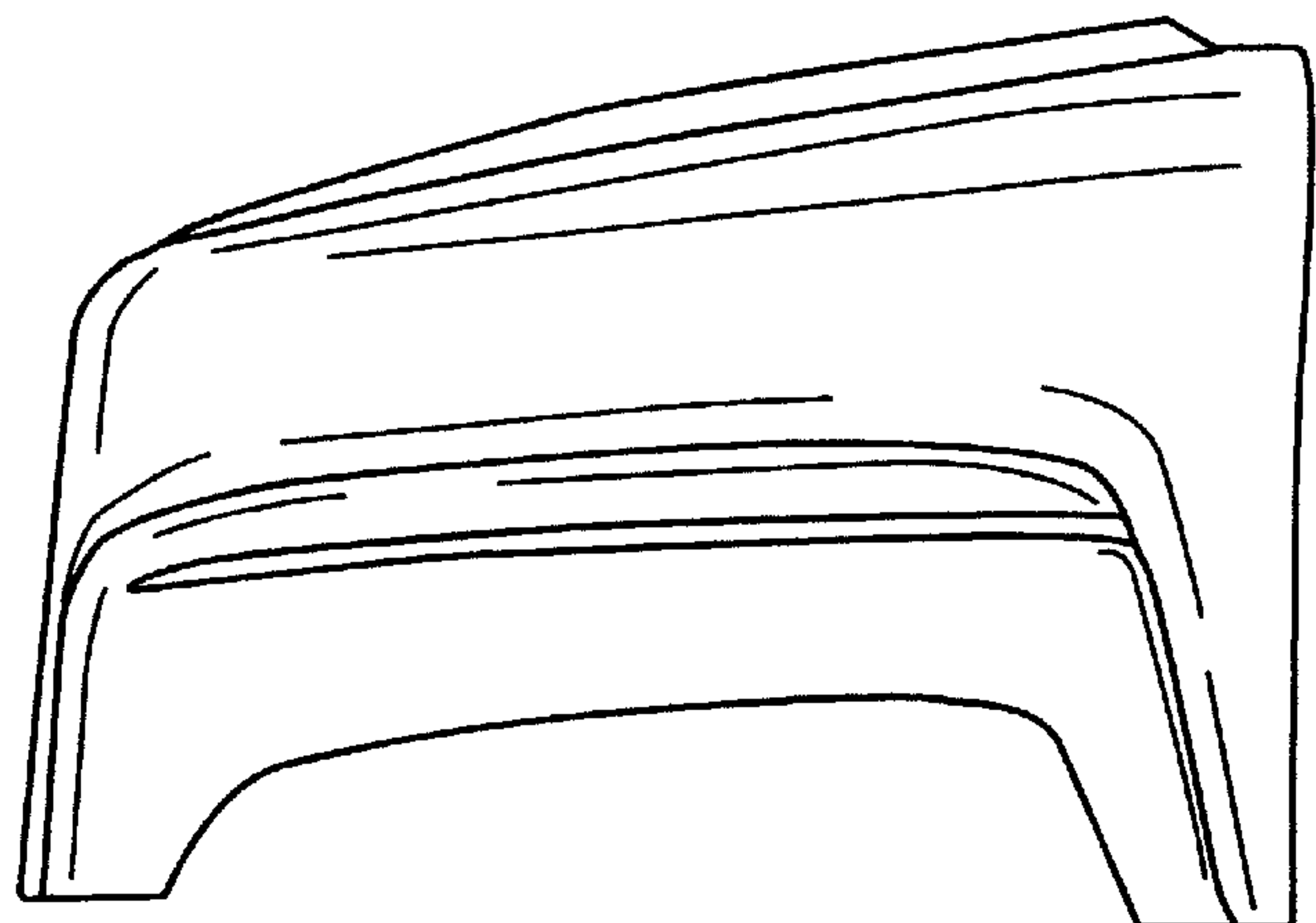


FIG. 3



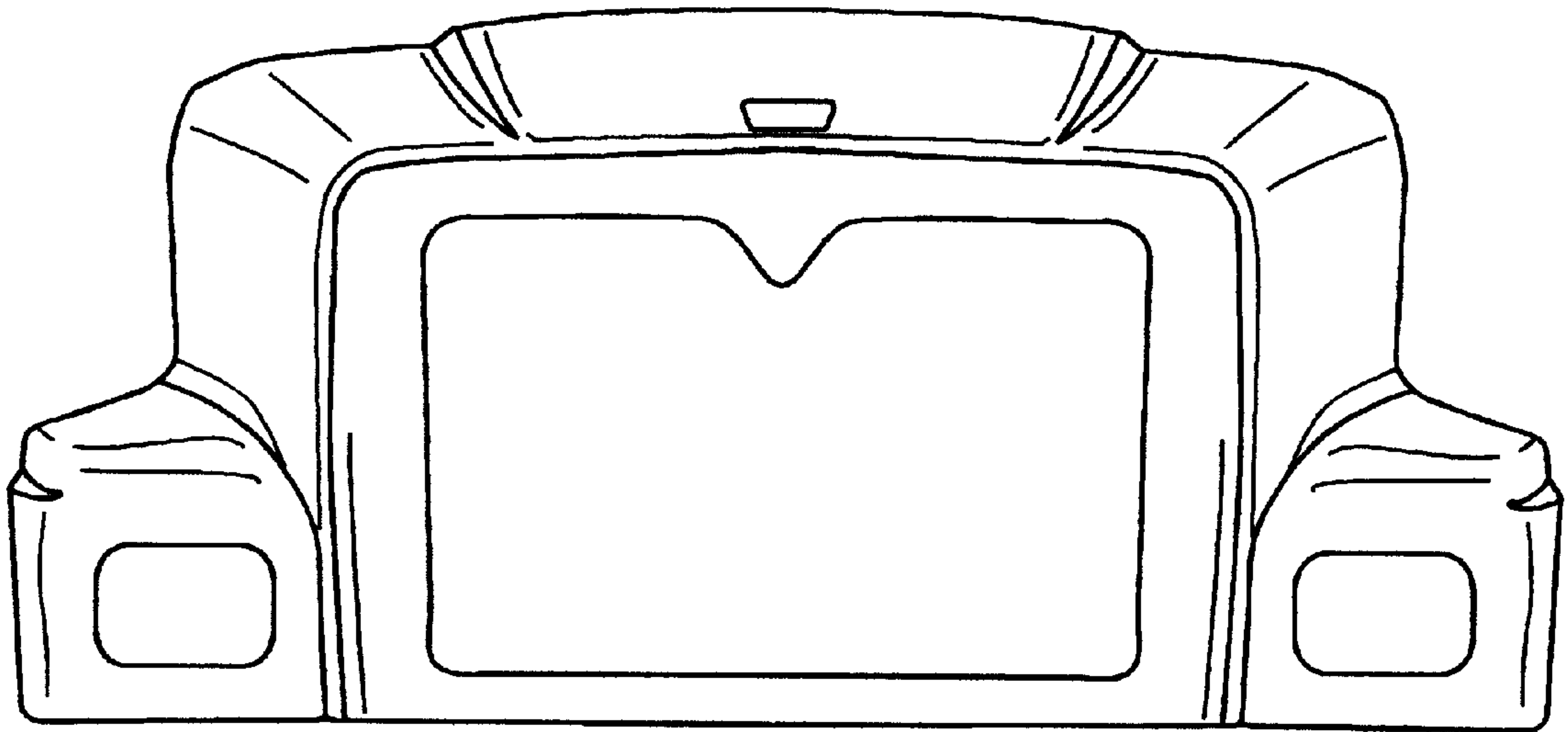


FIG. 4

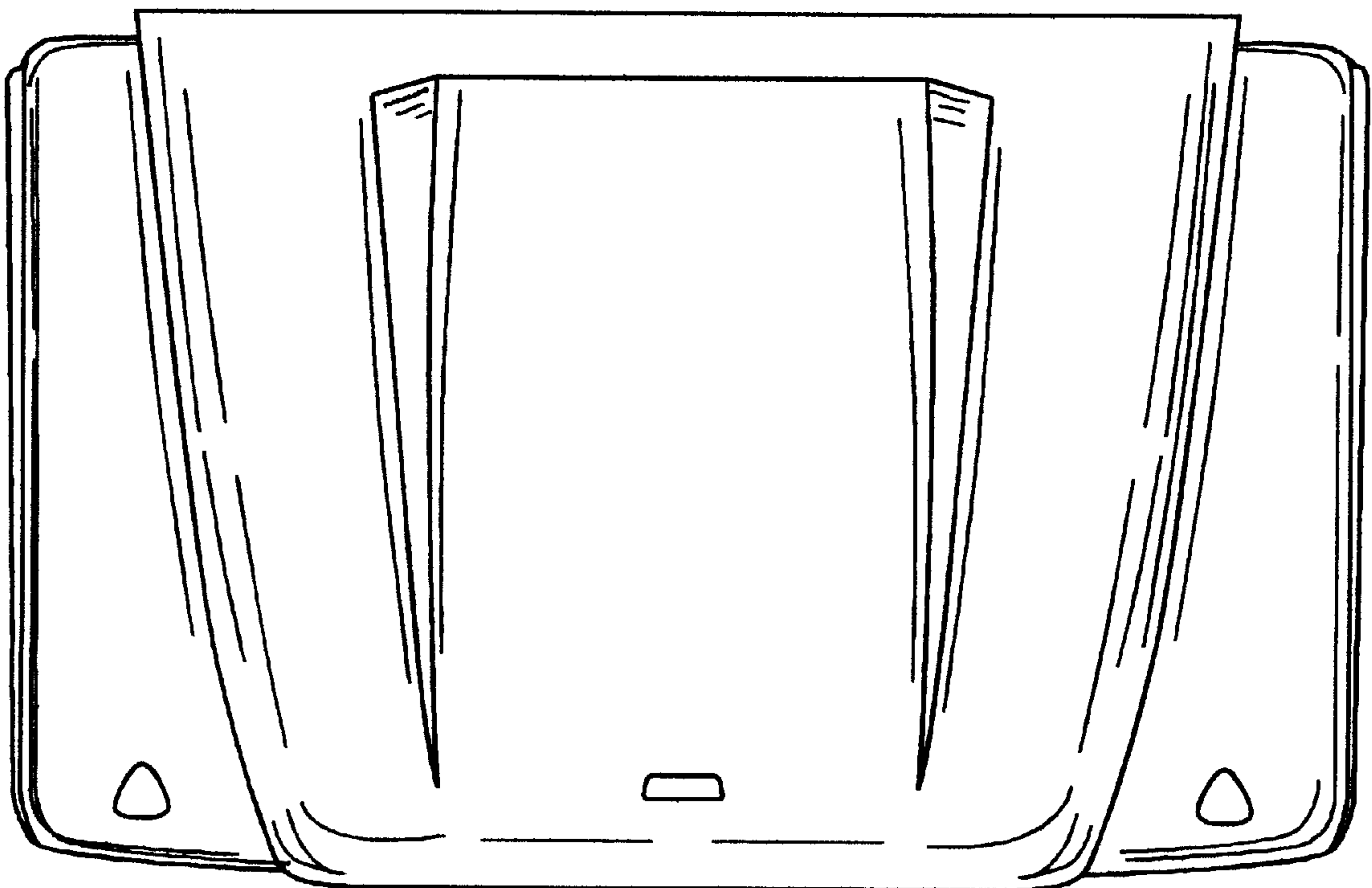


FIG. 5