



US00D426794S

United States Patent [19]

Meer et al.

[11] Patent Number: Des. 426,794

[45] Date of Patent: ** Jun. 20, 2000

[54] TIRE TREAD

[75] Inventors: Alex Van Der Meer, Schieren; Claude Lardo, Luxembourg, both of Luxembourg

[73] Assignee: The Goodyear Tire & Rubber Company, Akron, Ohio

[**] Term: 14 Years

[21] Appl. No.: 29/110,137

[22] Filed: Aug. 31, 1999

[51] LOC (7) Cl. 12-15

[52] U.S. Cl. D12/142

[58] Field of Search D12/134-152; 152/209.1, 209.8, 209.9, 209.11, 209.13, 209.16, 209.28, 900, 901

D. 398,567 9/1998 Brown et al. D12/147
D. 399,175 10/1998 Brown et al. D12/146
4,690,189 9/1987 Bradisse et al. 152/209 R

OTHER PUBLICATIONS

Multi-Mile Nova 880 Tire, 1998 Tread Design Guide, p. 53. 3/5.
Roadmaster Magis LXI Tire, 1998 Tread Design Guide, p. 63. 4/3.
Michelin XDN Tire, 1998 Tread Design Guide, p. 151. 4/1.

Primary Examiner—Robert M. Spear
Attorney, Agent, or Firm—T P. Lewandowski

[57] CLAIM

The ornamental design for the tire tread, as shown and described.

DESCRIPTION

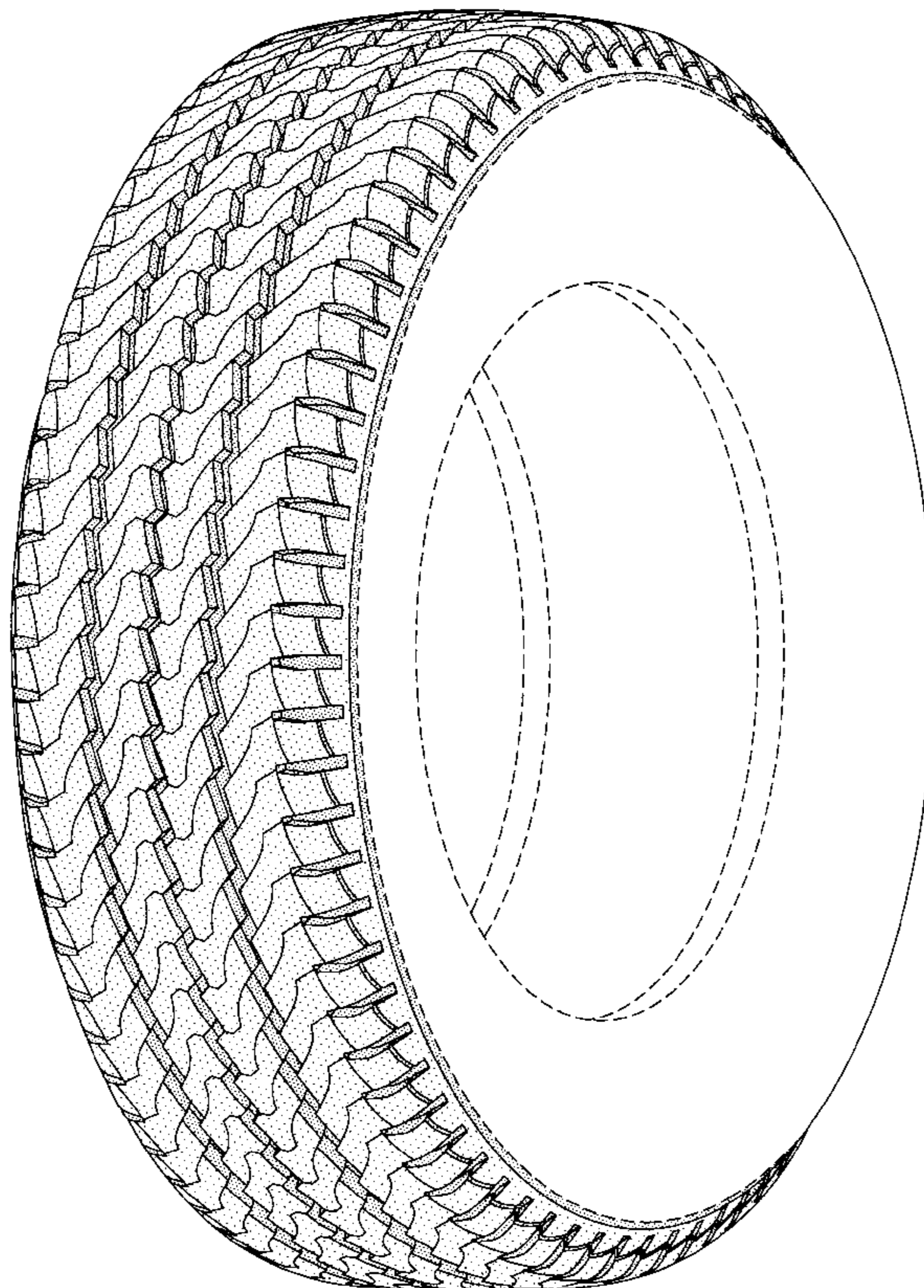
FIG. 1 is a perspective view of a tire tread showing our new design, it being understood that the pattern repeats uniformly throughout the circumference of the tread;
FIG. 2 is a front elevational view thereof;
FIG. 3 is a side elevational view thereof, the opposite side elevational view being identical thereto; and,
FIG. 4 is an enlarged fragmentary perspective view.
In the drawings, the broken lines defining the inner bead of the sidewall and the peripheral boundary between the tire tread and the sidewall are for illustrative purposes only and form no part of the claimed design.

[56] References Cited

U.S. PATENT DOCUMENTS

D. 278,220	4/1985	McDonald	D12/147
D. 315,124	3/1991	Baus	D12/142
D. 321,157	10/1991	Cottrell et al.	D12/147
D. 334,362	3/1993	Stone et al.	D12/147
D. 350,926	9/1994	Hutz	D12/147
D. 354,467	1/1995	Wallet et al.	D12/147
D. 365,793	1/1996	Scarpitti et al.	D12/146
D. 383,425	9/1997	Himuro	D12/147
D. 384,609	10/1997	Gillard et al.	D12/146
D. 384,918	10/1997	Guspodin et al.	D12/146
D. 387,020	12/1997	Gause et al.	D12/143

1 Claim, 4 Drawing Sheets



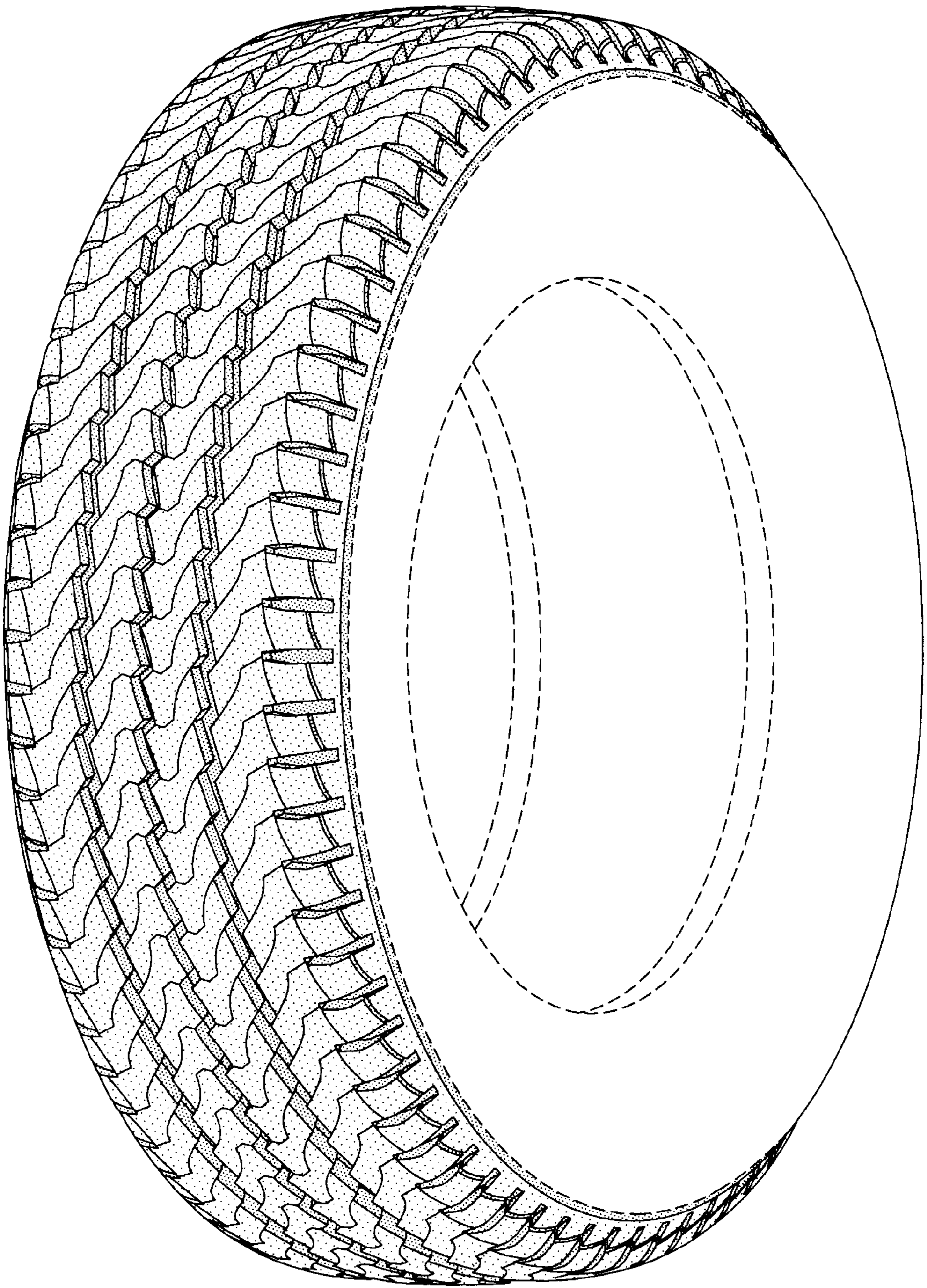


FIG-1

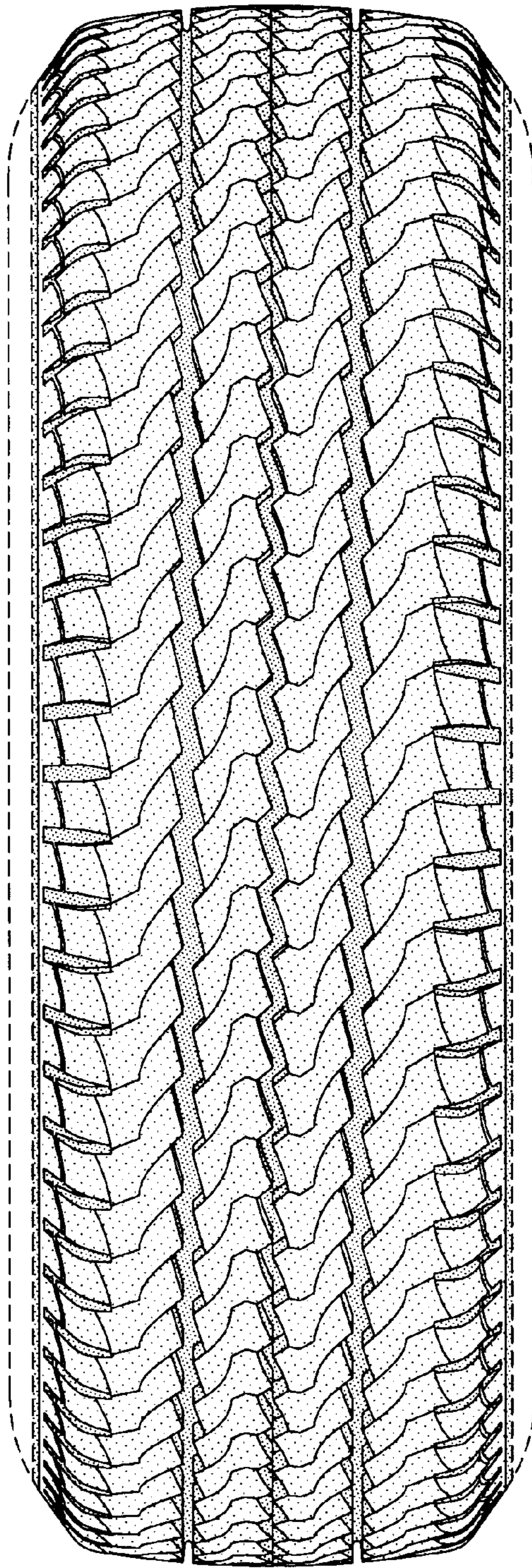


FIG-2

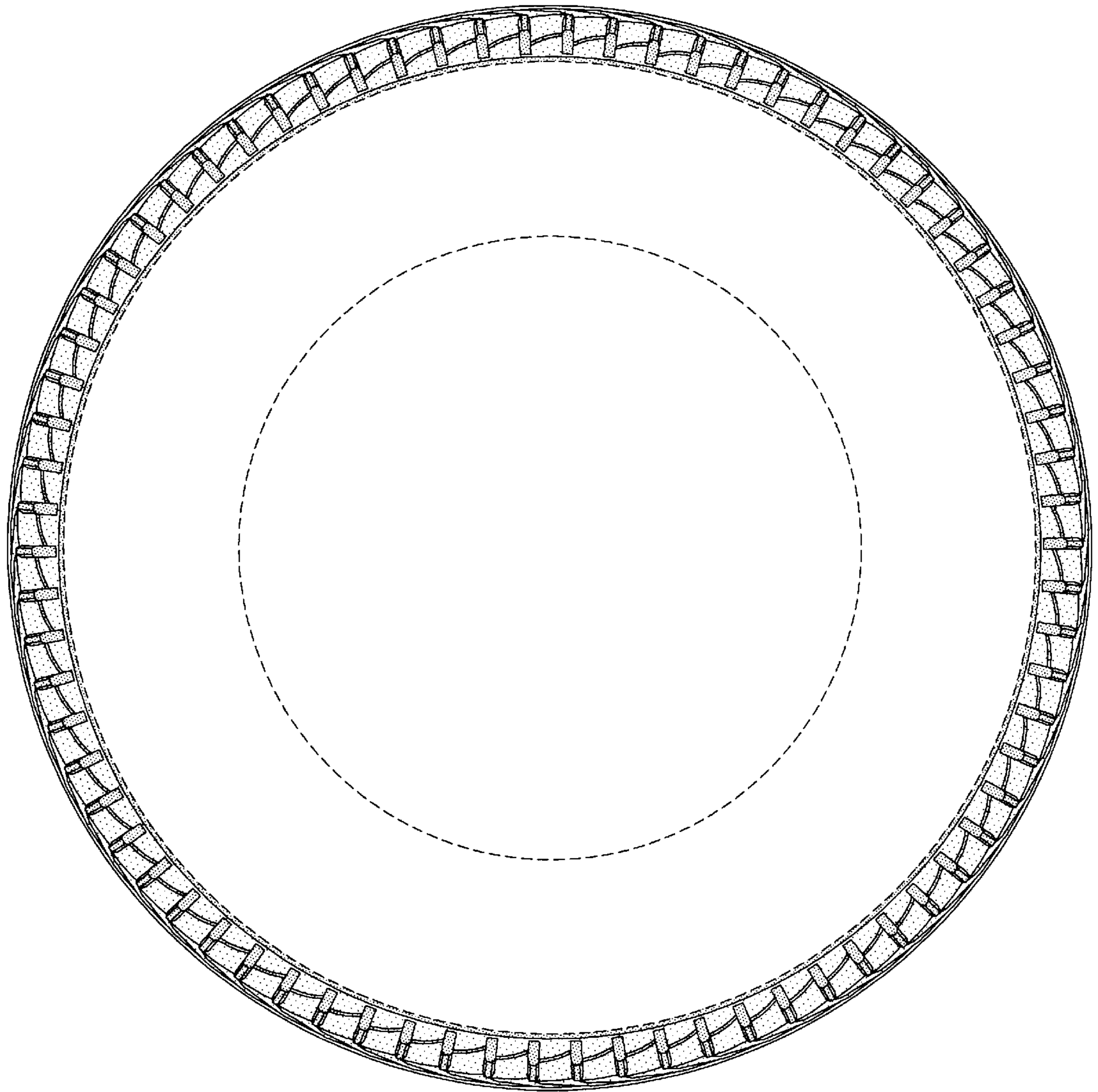


FIG-3

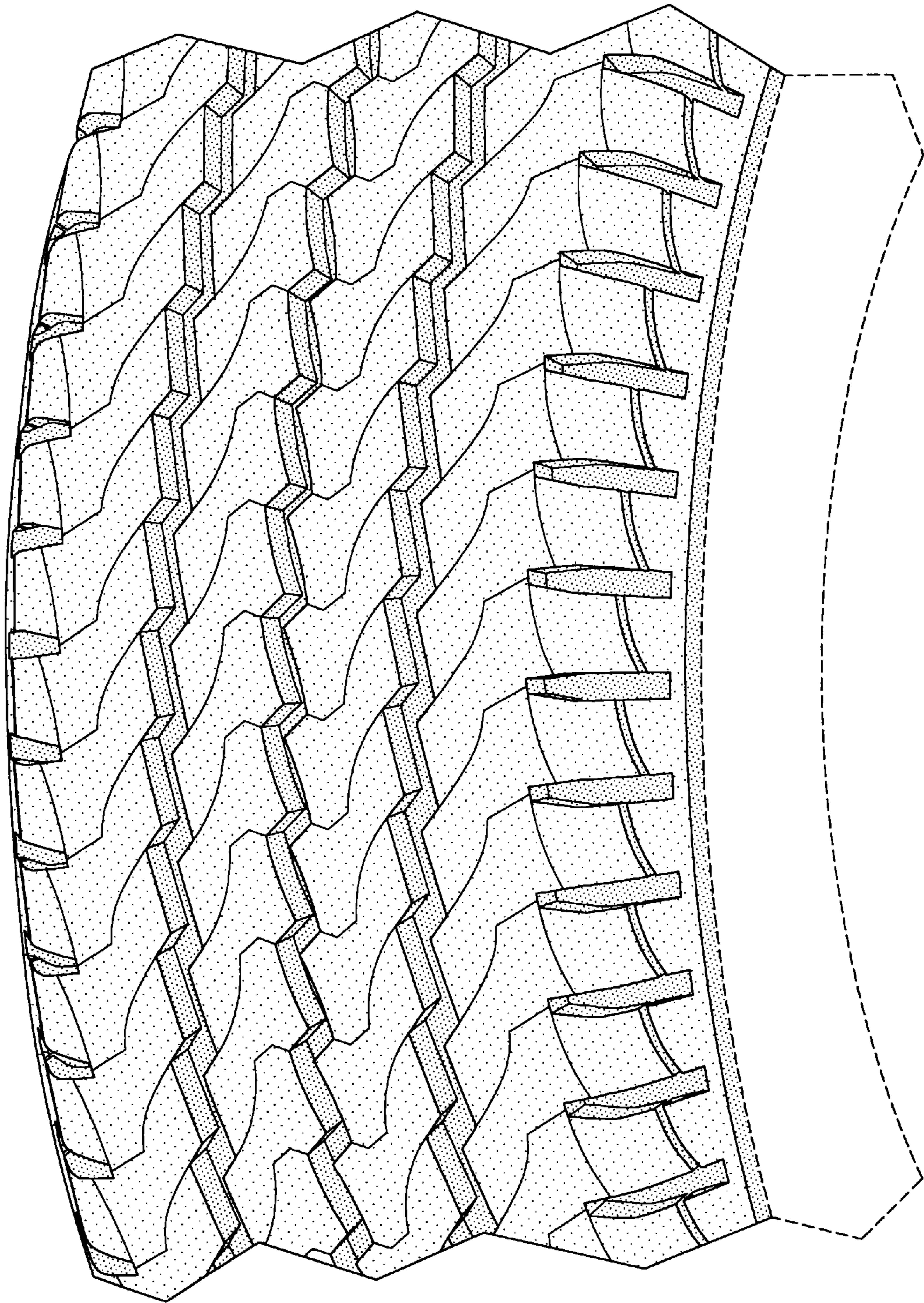


FIG-4