



US00D426791S

United States Patent [19] Nezu

[11] Patent Number: **Des. 426,791**
[45] Date of Patent: **** Jun. 20, 2000**

[54] **BUCKLE**

[75] Inventor: **Mikio Nezu**, Suita, Japan
[73] Assignee: **Nifco Inc.**, Yokohama, Japan
[**] Term: **14 Years**

[21] Appl. No.: **29/101,593**
[22] Filed: **Mar. 8, 1999**

[30] **Foreign Application Priority Data**

Sep. 17, 1998 [JP] Japan 10-26478

[51] **LOC (7) Cl.** **02-07**
[52] **U.S. Cl.** **D11/218**
[58] **Field of Search** D11/200, 214-218,
D11/231, 234; D8/383; 24/196, 616, 625,
633, 650, 580, 525, 174, 573.1

[56] **References Cited**

U.S. PATENT DOCUMENTS

D. 341,105 11/1993 Lovato D11/218
D. 381,936 8/1997 Anscher D11/216
D. 385,826 11/1997 Anscher D11/200
D. 386,125 11/1997 Anscher D11/200

Primary Examiner—Ralf Seifert
Attorney, Agent, or Firm—Kanesaka & Takeuchi

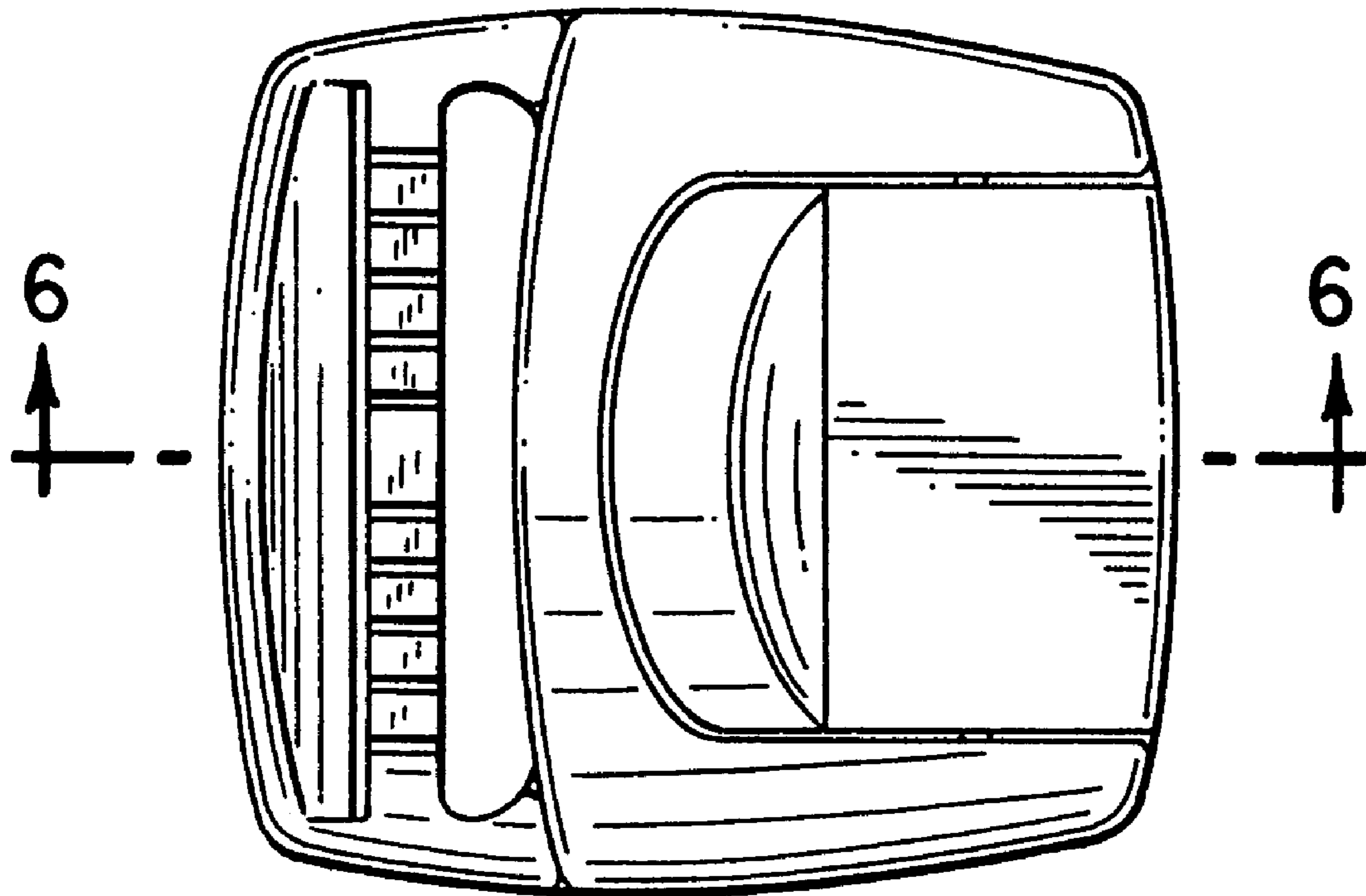
[57] **CLAIM**

The ornamental design for a buckle, as shown and described.

DESCRIPTION

FIG. 1 is a top plan view of a buckle showing my new design;
FIG. 2 is a bottom plan view thereof;
FIG. 3 is a front view thereof, the rear view being symmetrical to the front view;
FIG. 4 is a left side view thereof;
FIG. 5 is a right side view thereof;
FIG. 6 is a cross sectional view taken along line 6—6 in FIG. 1;
FIG. 7 is a top plan view of a male member of the buckle shown separately for convenience of illustration;
FIG. 8 is a bottom plan view thereof;
FIG. 9 is a front view thereof, the rear view being symmetrical to the front view;
FIG. 10 is a left side view thereof;
FIG. 11 is a right side view thereof;
FIG. 12 is a cross sectional view taken along line 12—12 in FIG. 7;
FIG. 13 is a top plan view of a female member of the buckle shown separately for convenience of illustration;
FIG. 14 is a bottom plan view thereof;
FIG. 15 is a front view thereof, the rear view being symmetrical to the front view;
FIG. 16 is a left side view thereof;
FIG. 17 is a right side view thereof; and,
FIG. 18 is a cross sectional view taken along line 18—18 in FIG. 13.

1 Claim, 6 Drawing Sheets



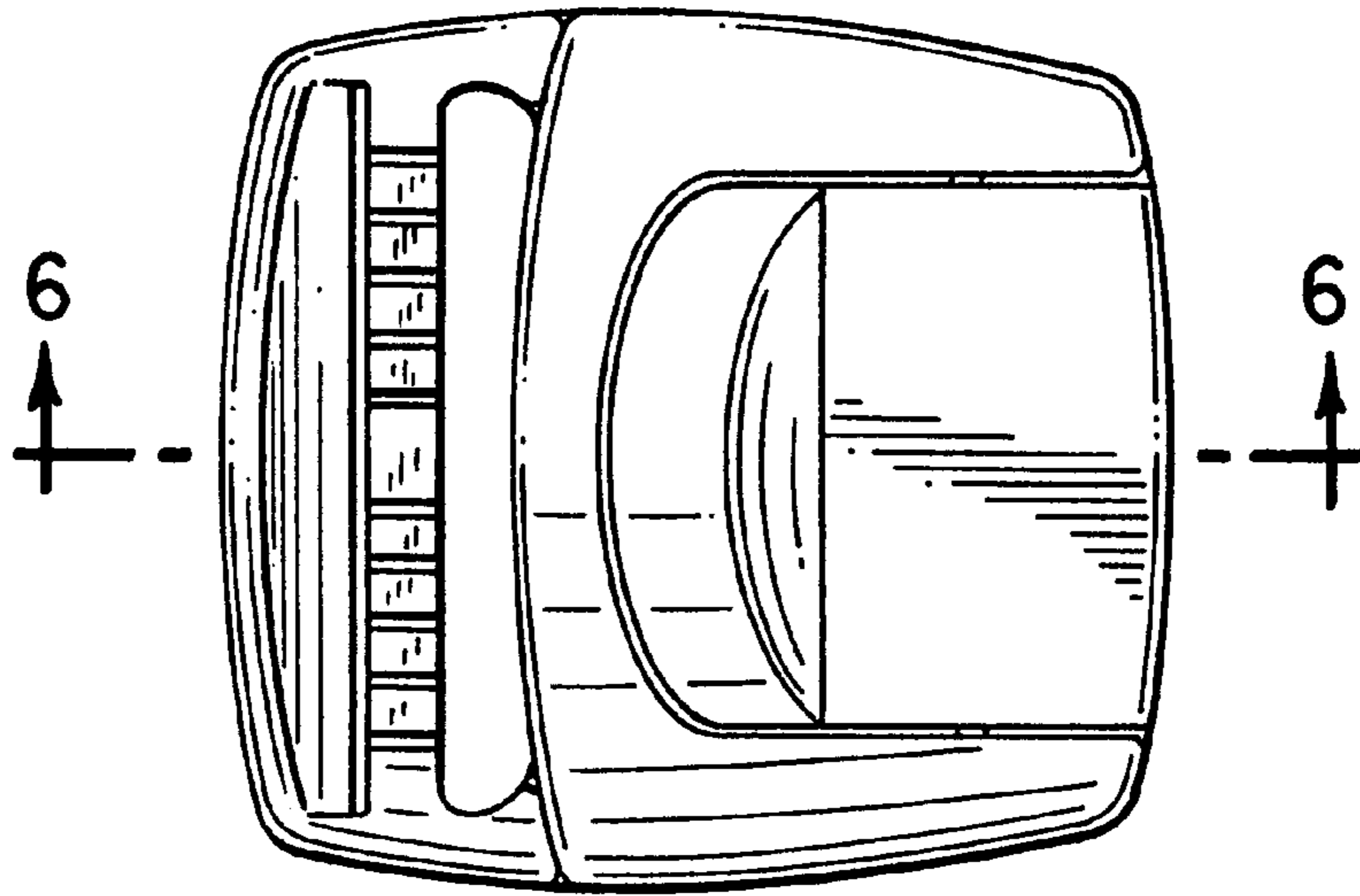


FIG. 1

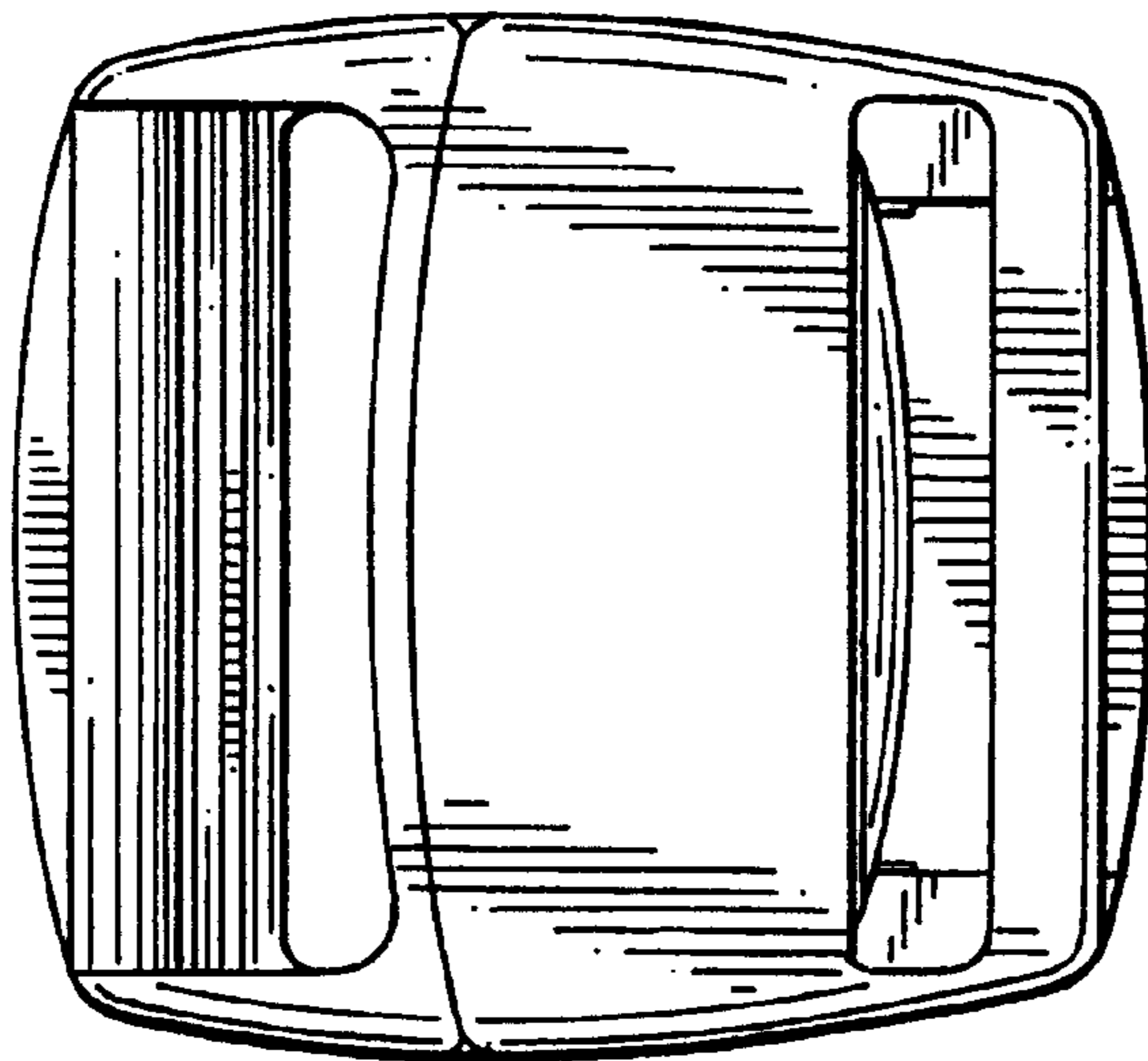


FIG. 2

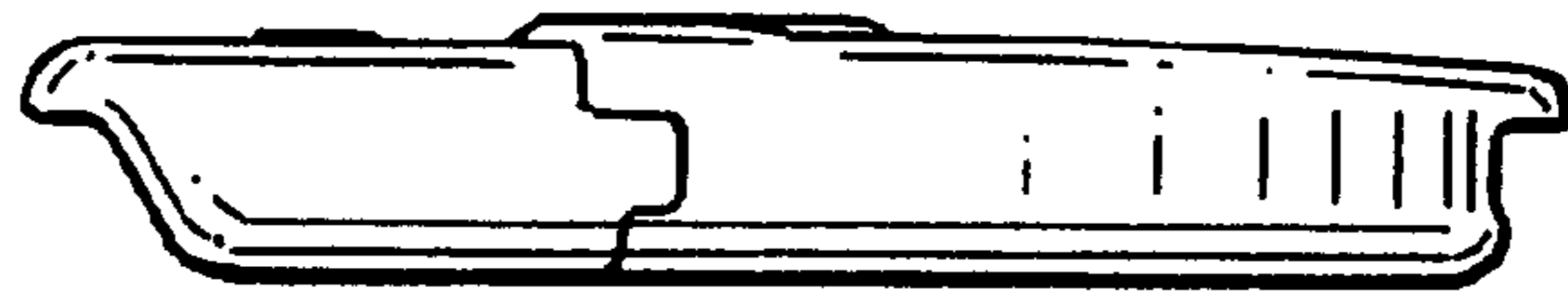


FIG. 3

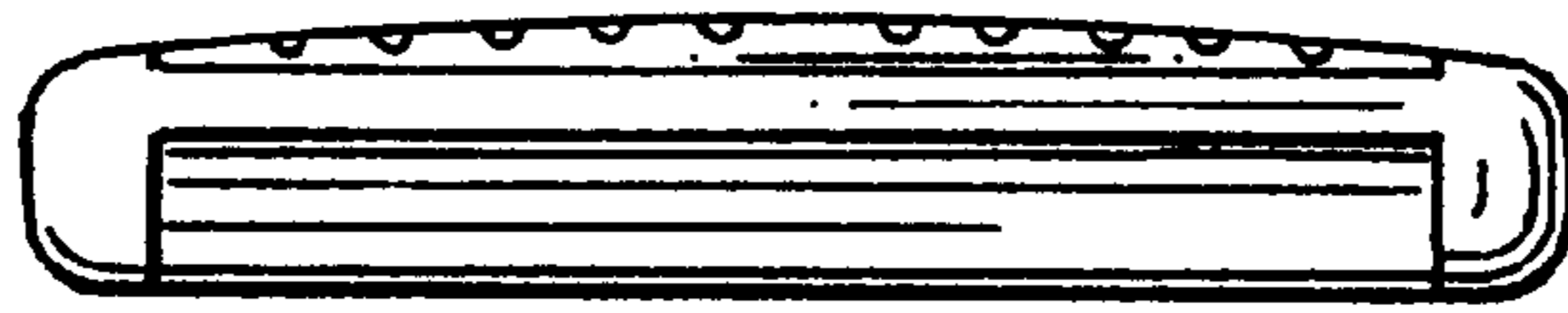


FIG. 4

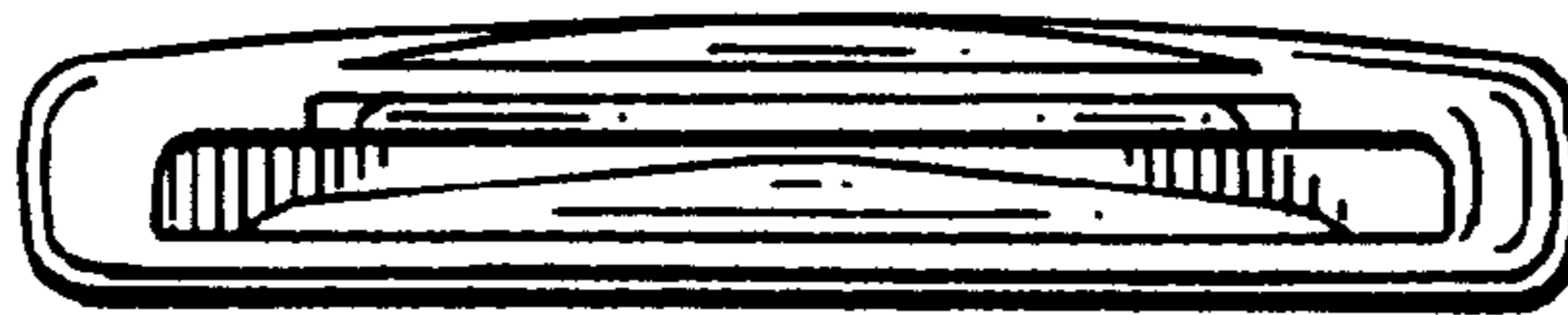


FIG. 5

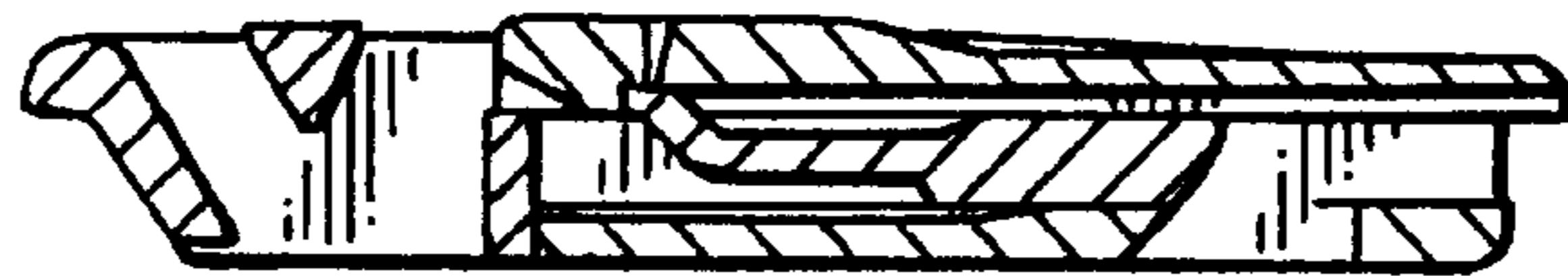


FIG. 6

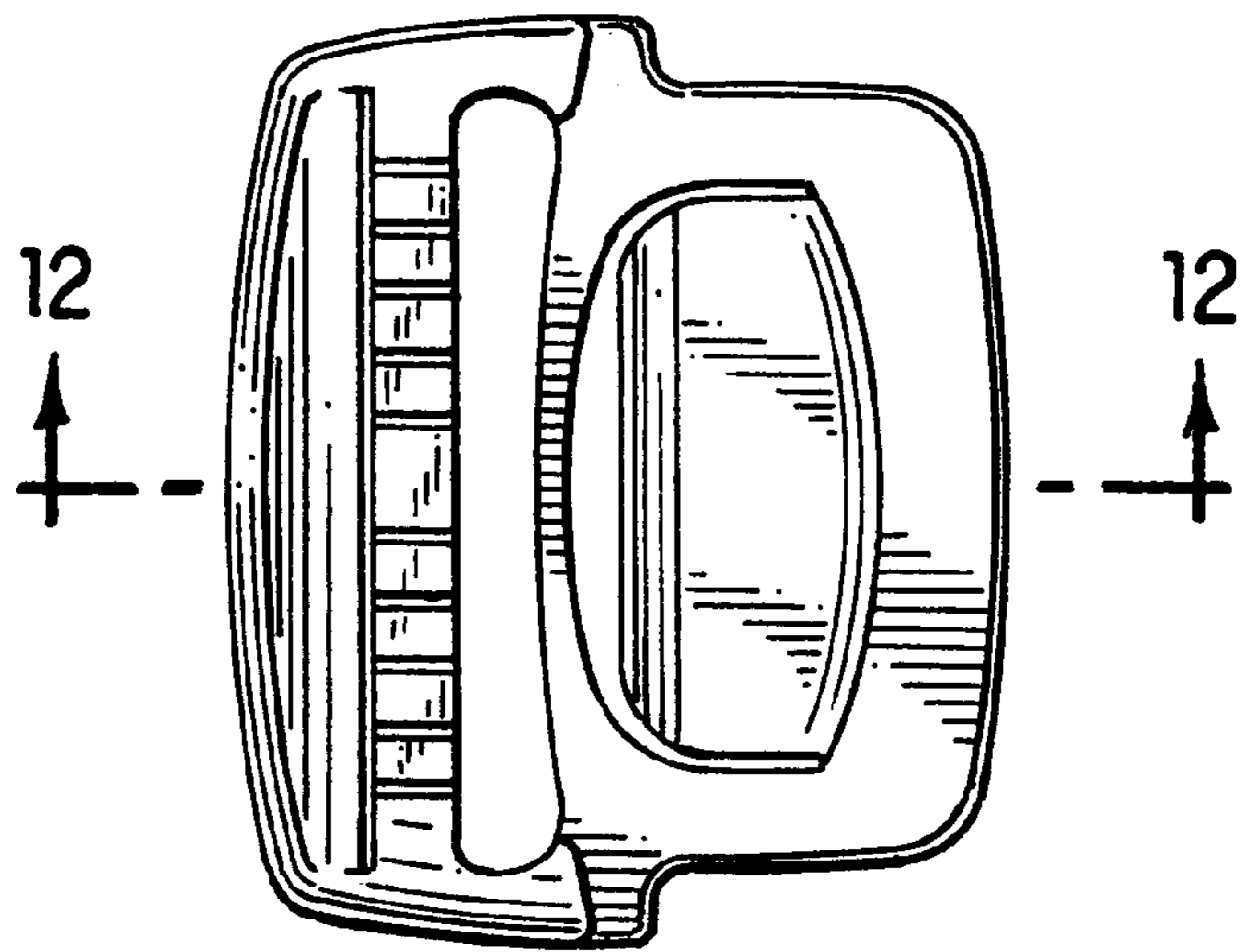


FIG. 7

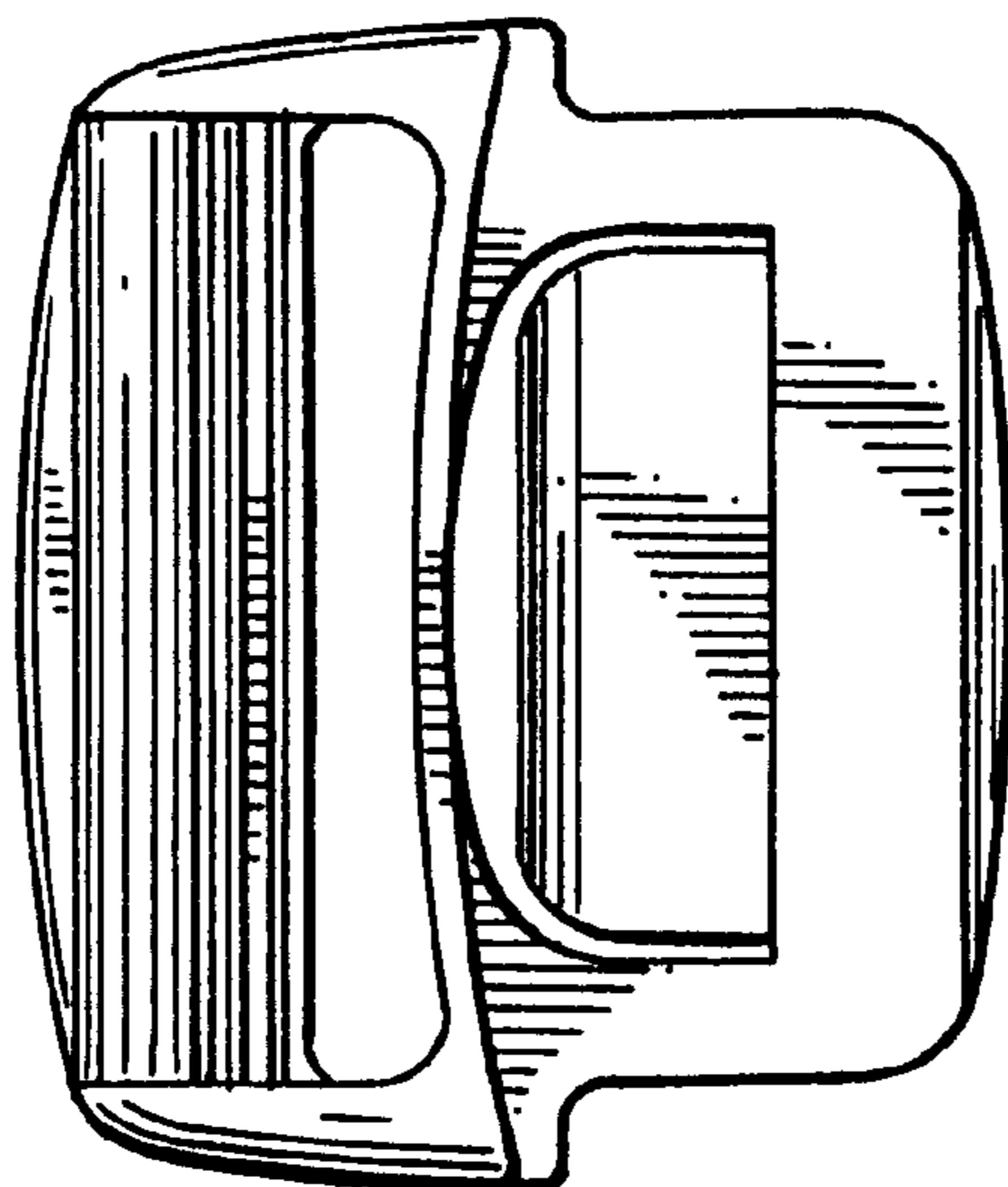


FIG. 8

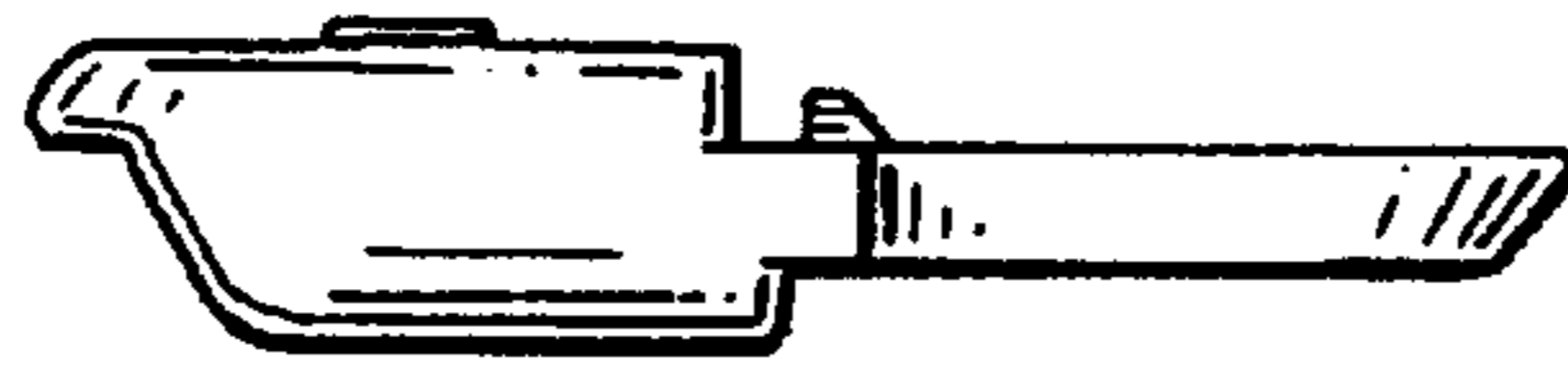


FIG. 9

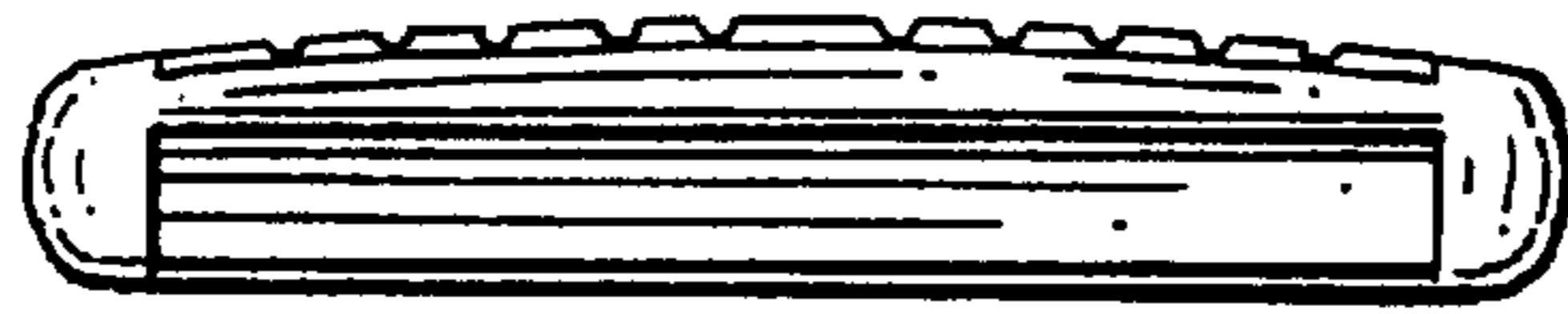


FIG. 10

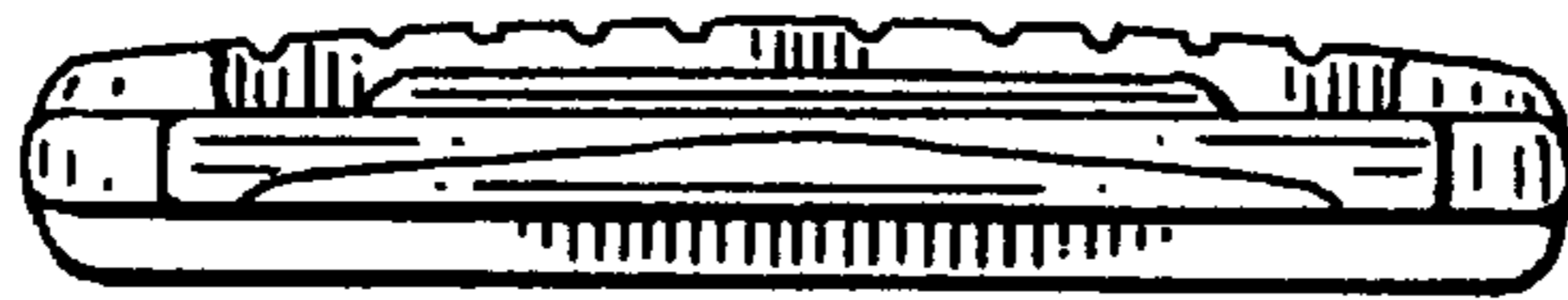


FIG. 11



FIG. 12

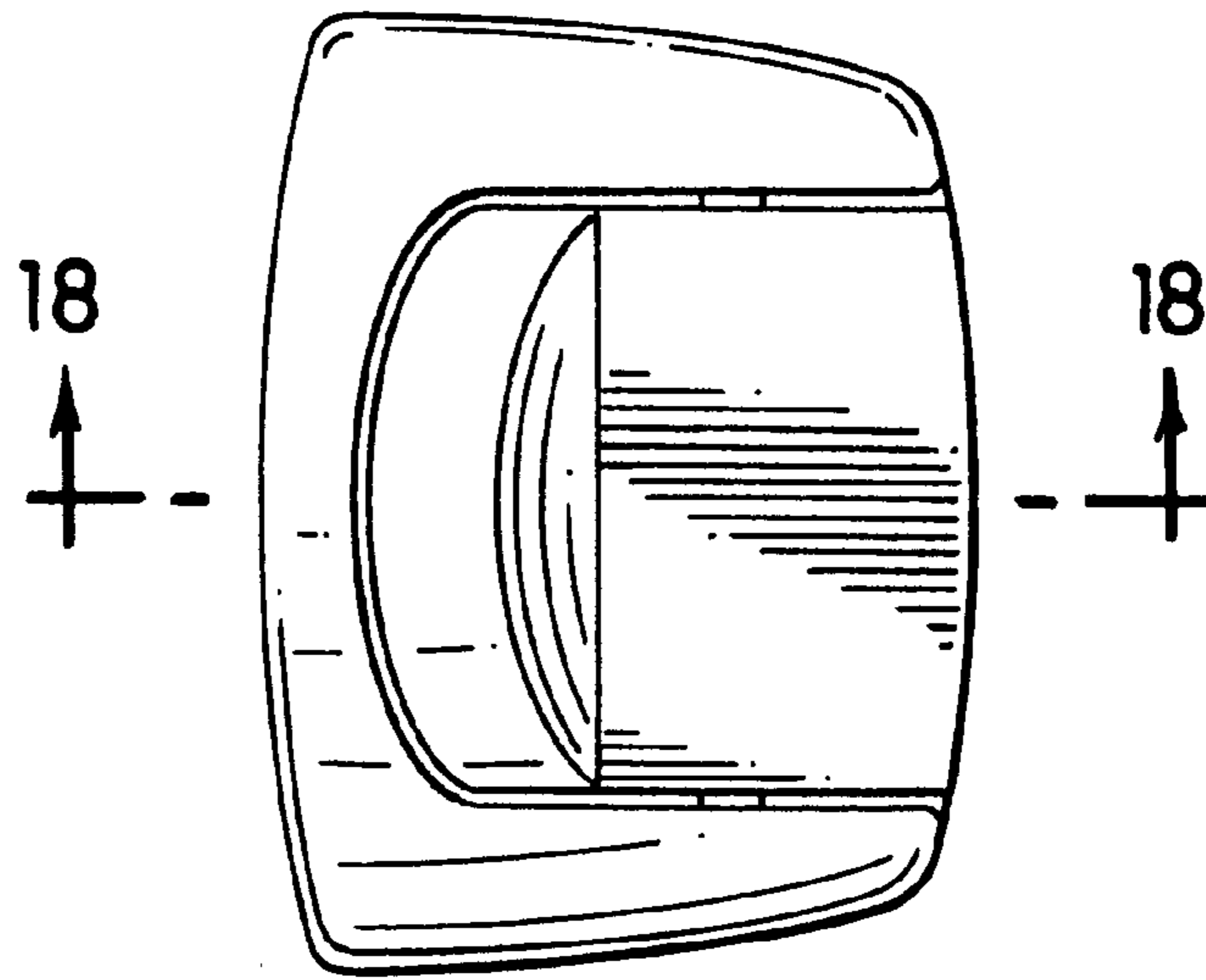


FIG. 13

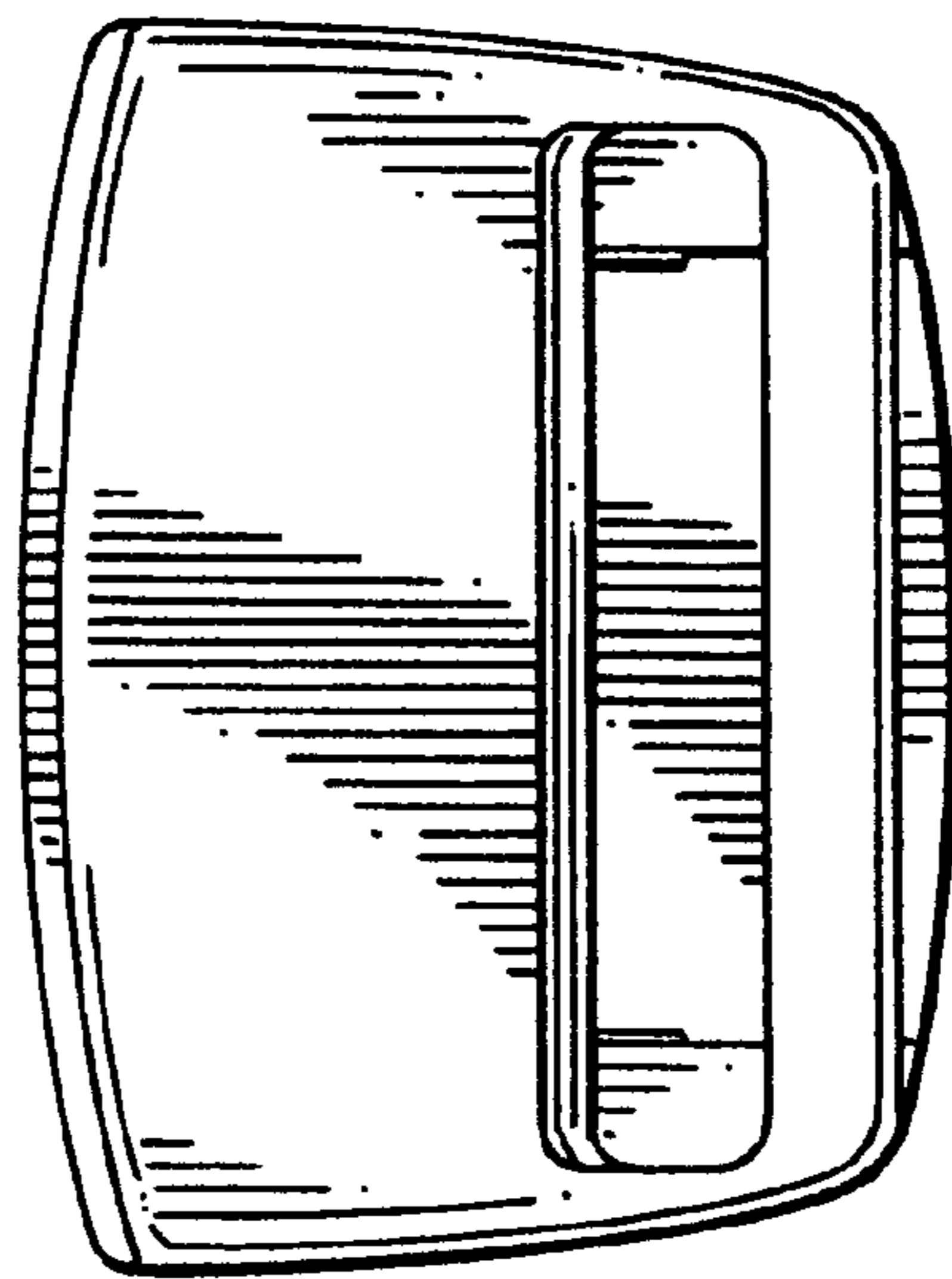


FIG. 14

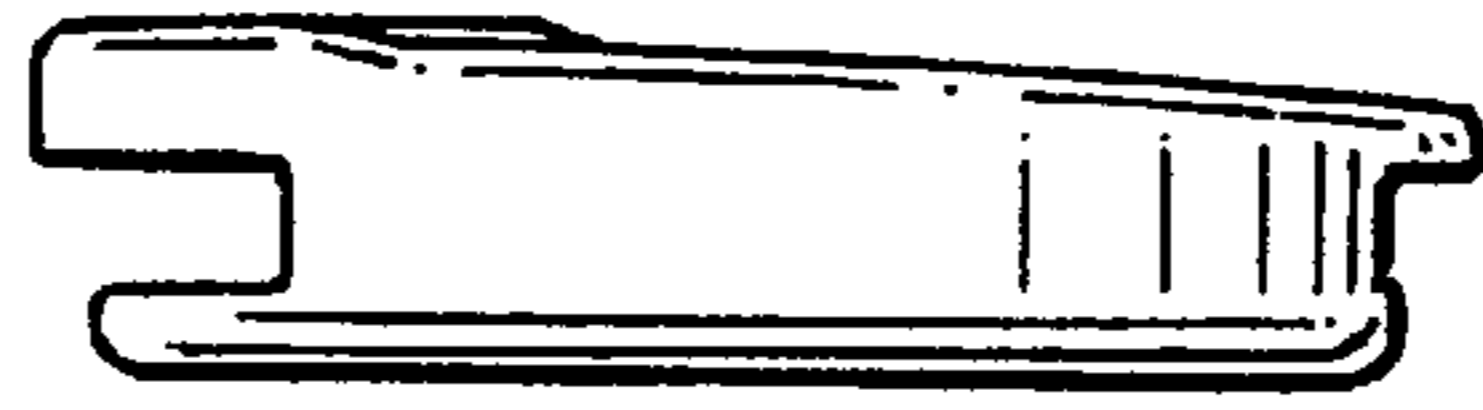


FIG. 15

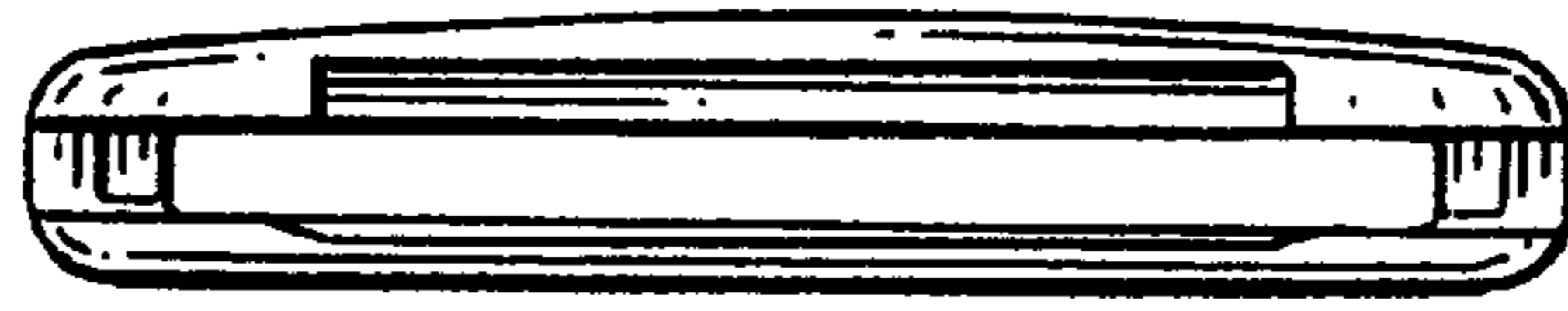


FIG. 16

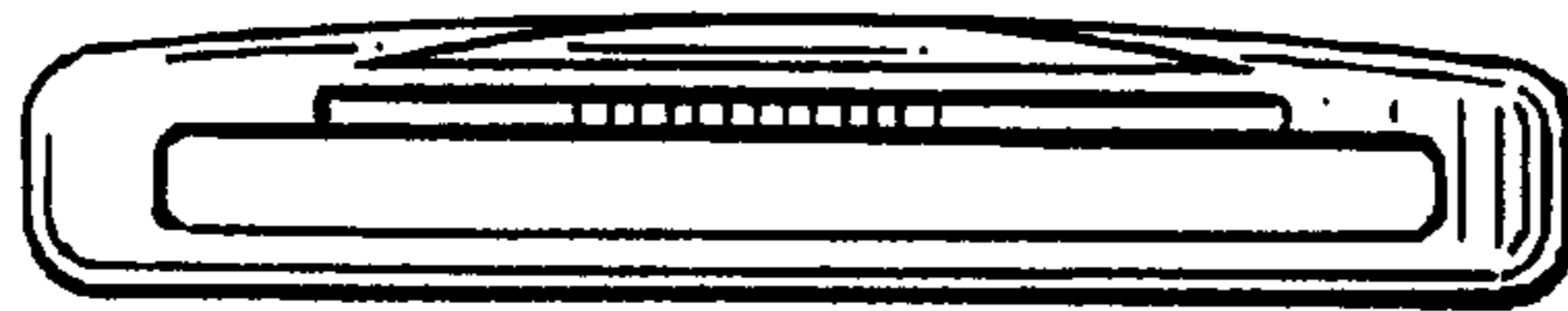


FIG. 17

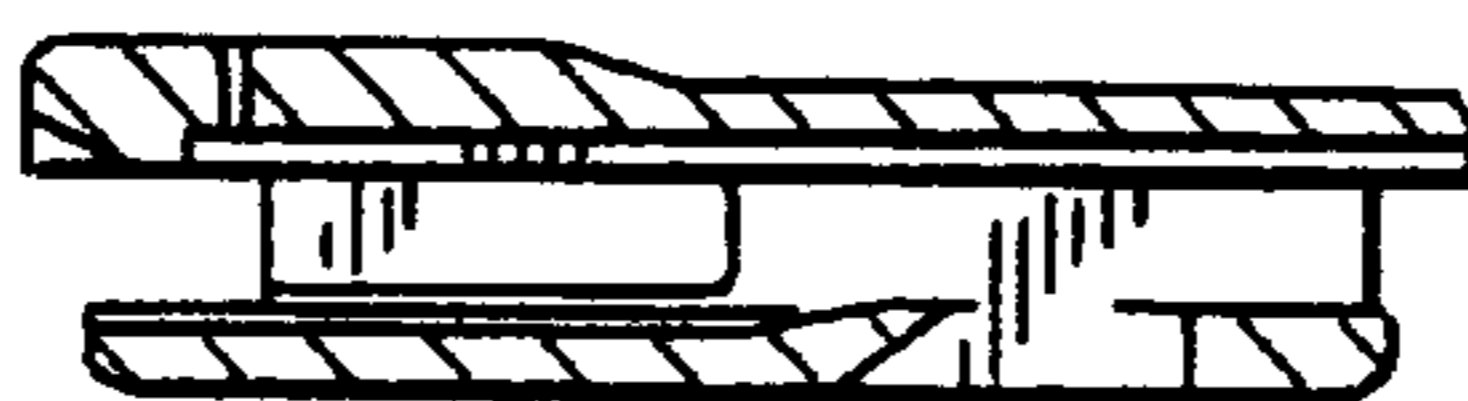


FIG. 18