



US00D426786S

# United States Patent [19] Chery

[11] **Patent Number: Des. 426,786**

[45] **Date of Patent: \*\* \*Jun. 20, 2000**

[54] **REMOTE CONTROL TRANSMITTER FOR AN ALARM SYSTEM**

D. 377,458 1/1997 Isui ..... D10/104  
D. 385,207 10/1997 Urnoy ..... D10/104  
D. 385,208 10/1997 Chui ..... D10/104

[76] Inventor: **Pascale R. Chery**, One Saupe Dr., Manalapan, N.J. 07726

*Primary Examiner*—Marcus A. Jackson

[\*] Notice: This patent is subject to a terminal disclaimer.

### [57] CLAIM

[\*\*] Term: **14 Years**

The ornamental design for a remote control transmitter for an alarm system, as shown and described.

[21] Appl. No.: **29/077,125**

### DESCRIPTION

[22] Filed: **Sep. 29, 1997**

FIG. 1 is a front elevational view of a remote control transmitter for an alarm system showing my new design, with the broken line showing for illustrative purposes only and forming non part of the claimed design;

[51] **LOC (7) Cl.** ..... **26-06**

[52] **U.S. Cl.** ..... **D10/104**

FIG. 2 is a rear elevational view thereof;

[58] **Field of Search** ..... D10/104, 106, D10/116, 121; D14/95, 174; 340/540, 541, 545, 565, 566, 571, 572, 573

FIG. 3 is a right side view thereof;

FIG. 4 is a left side view thereof;

FIG. 5 is a top plan view thereof; and,

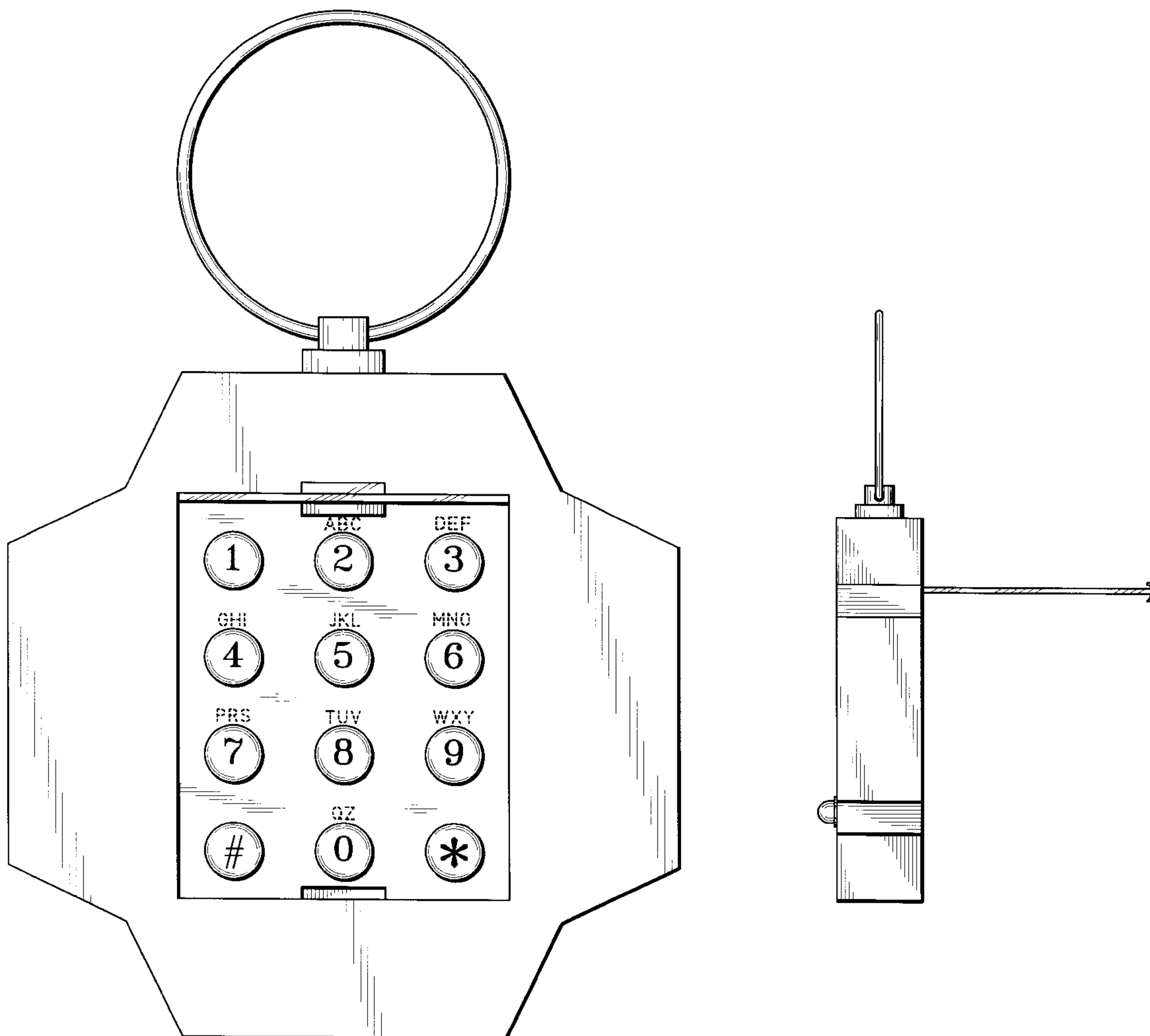
FIG. 6 is a bottom plan view thereof.

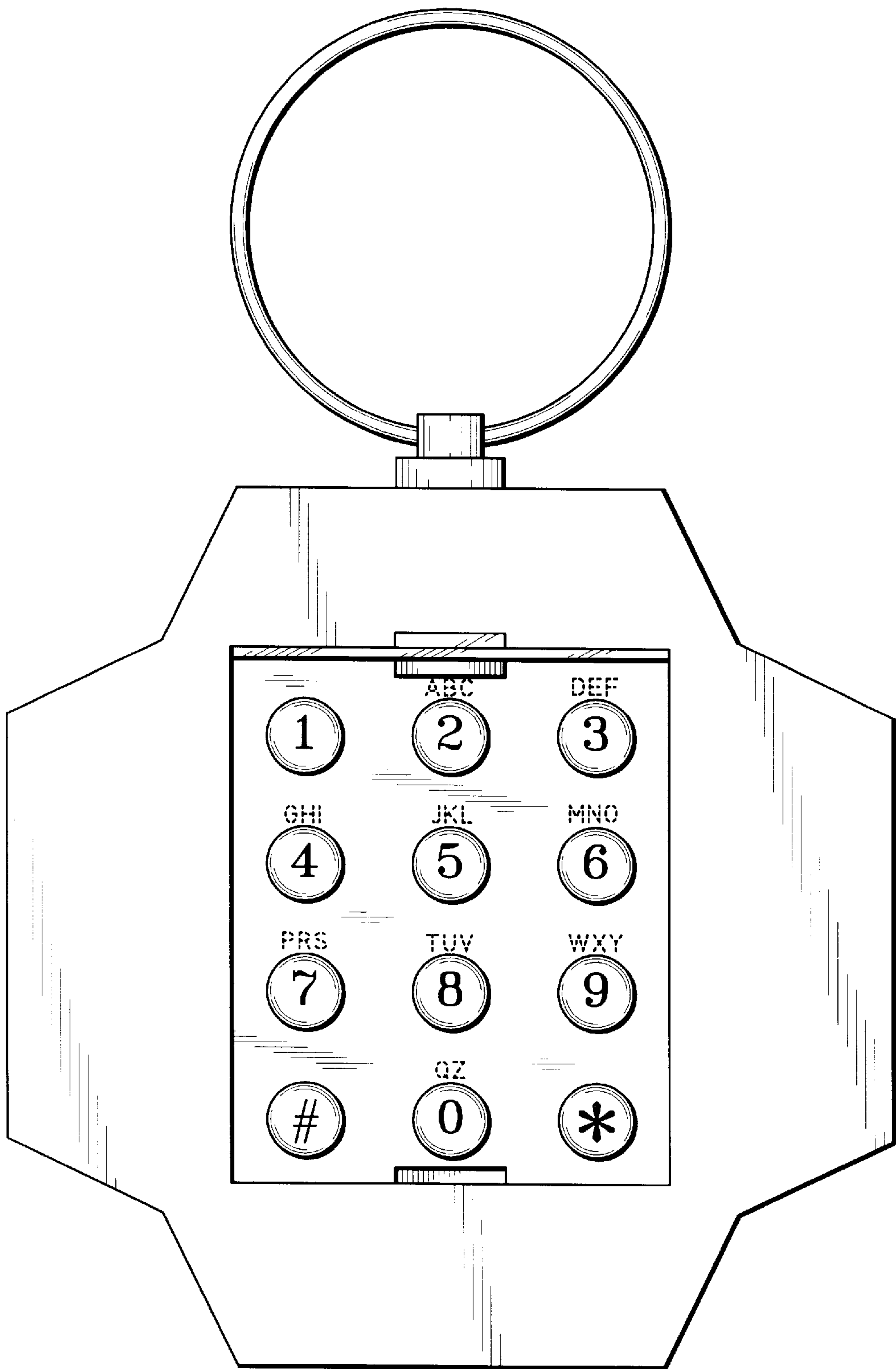
### [56] References Cited

#### U.S. PATENT DOCUMENTS

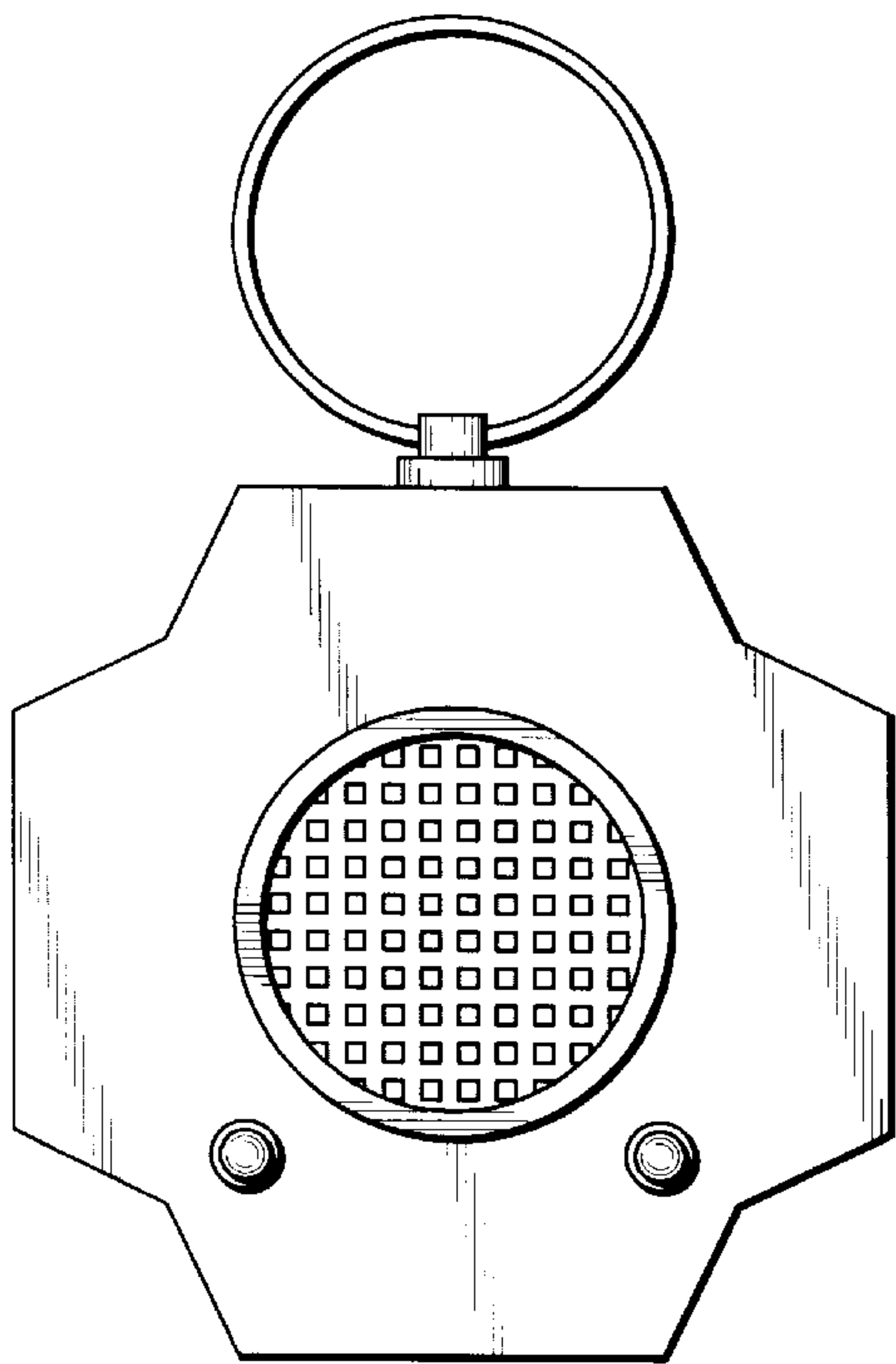
D. 377,320 1/1997 McGuire ..... D10/104

**1 Claim, 3 Drawing Sheets**

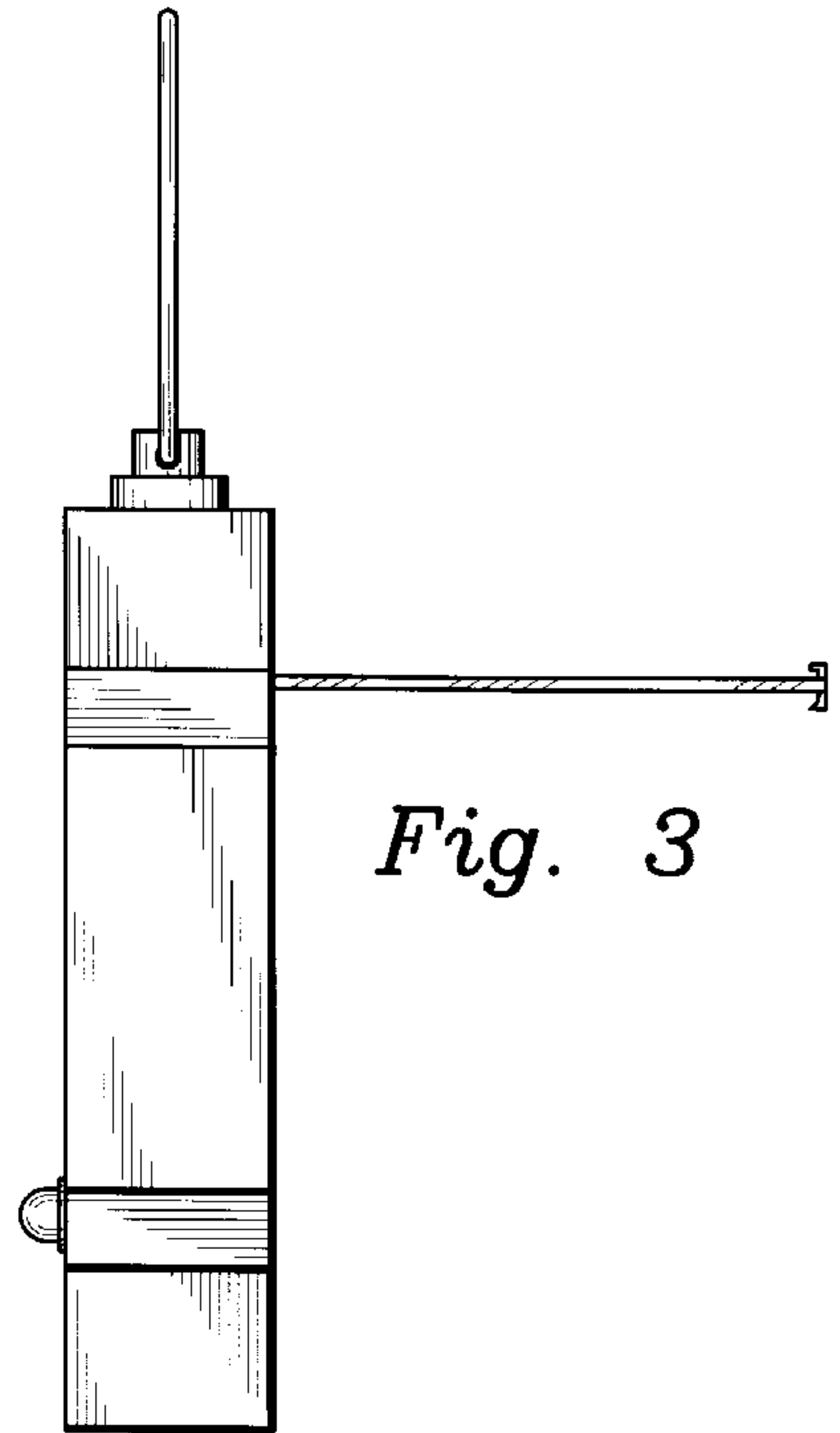




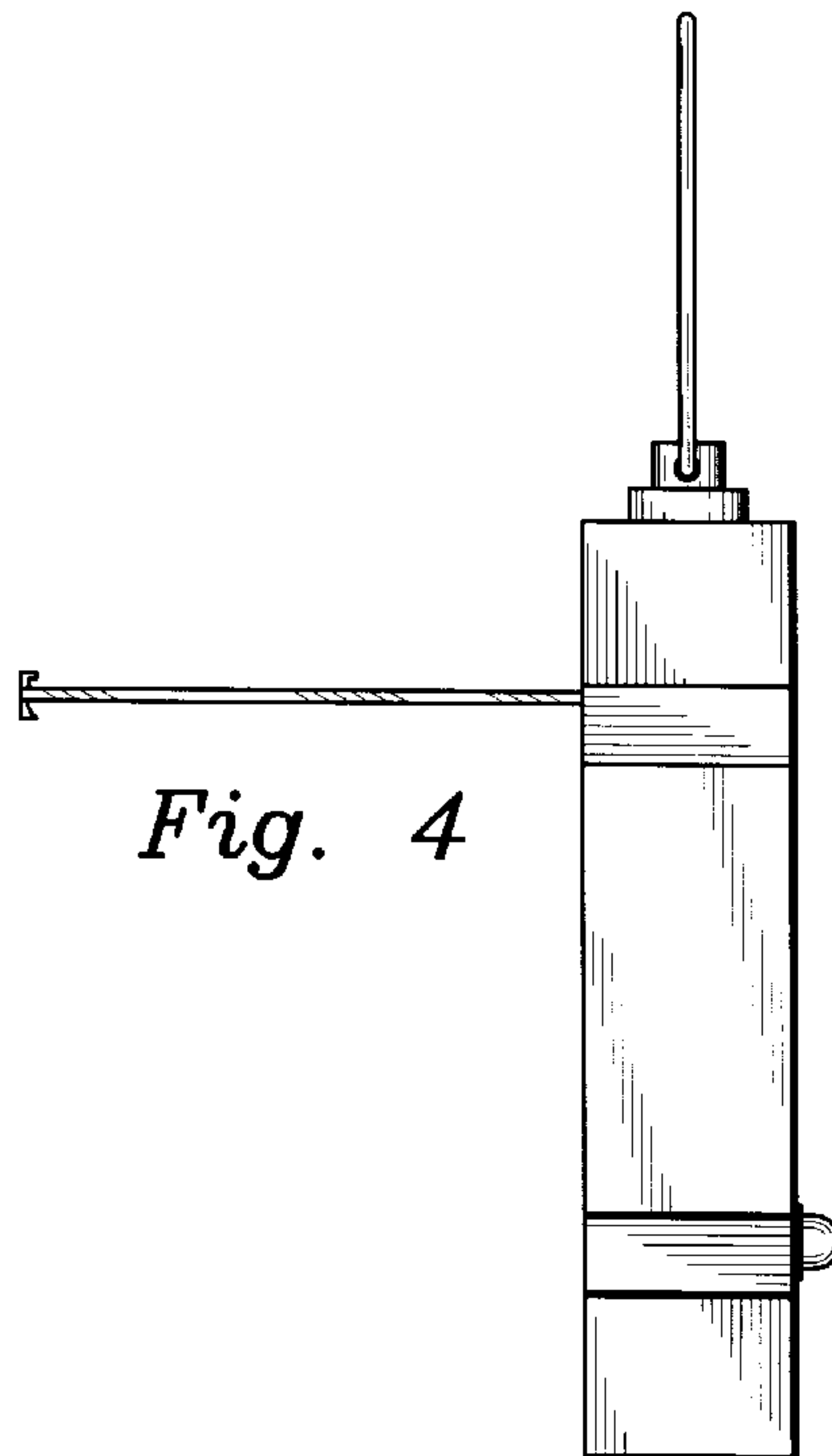
*Fig. 1*



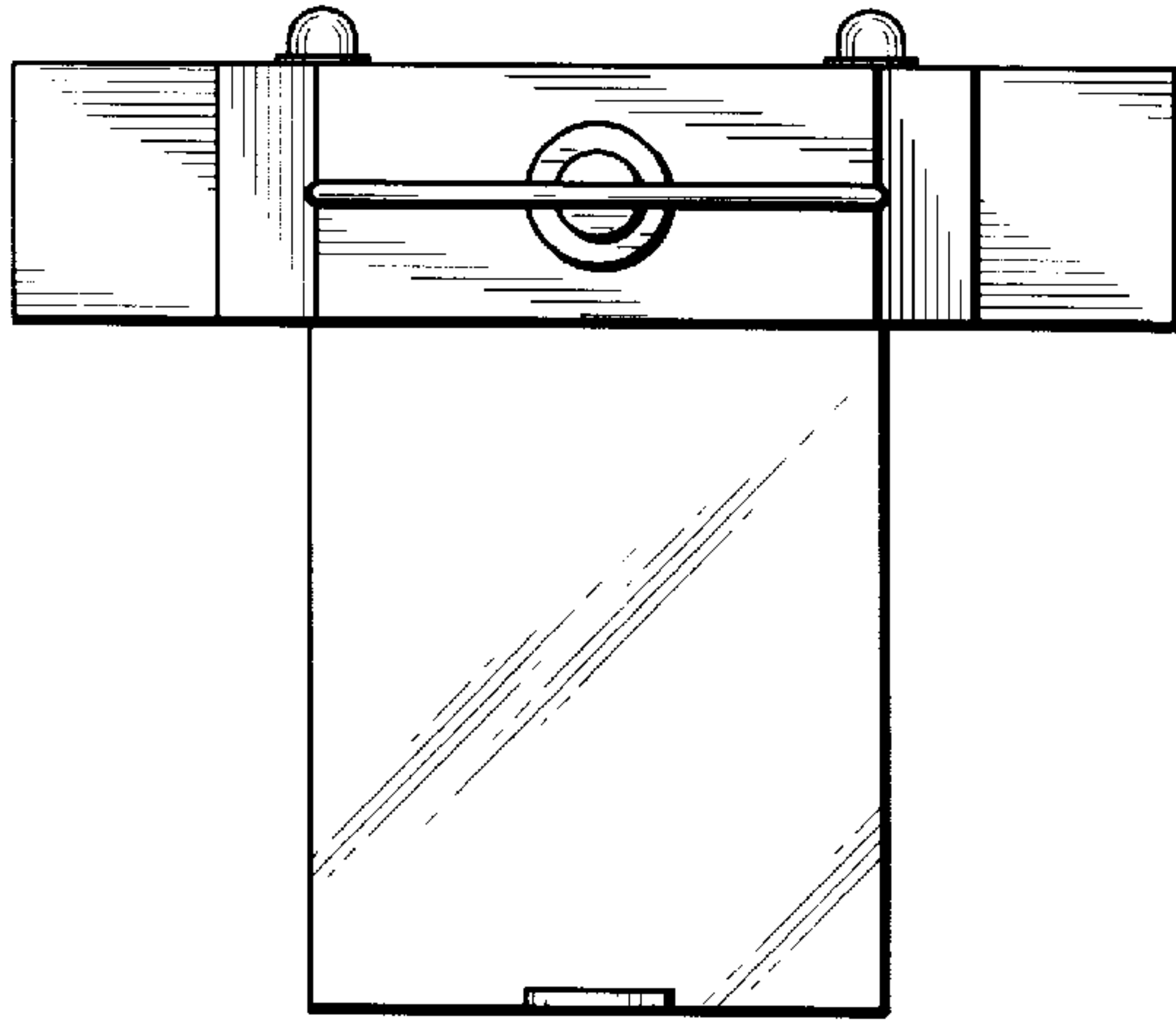
*Fig. 2*



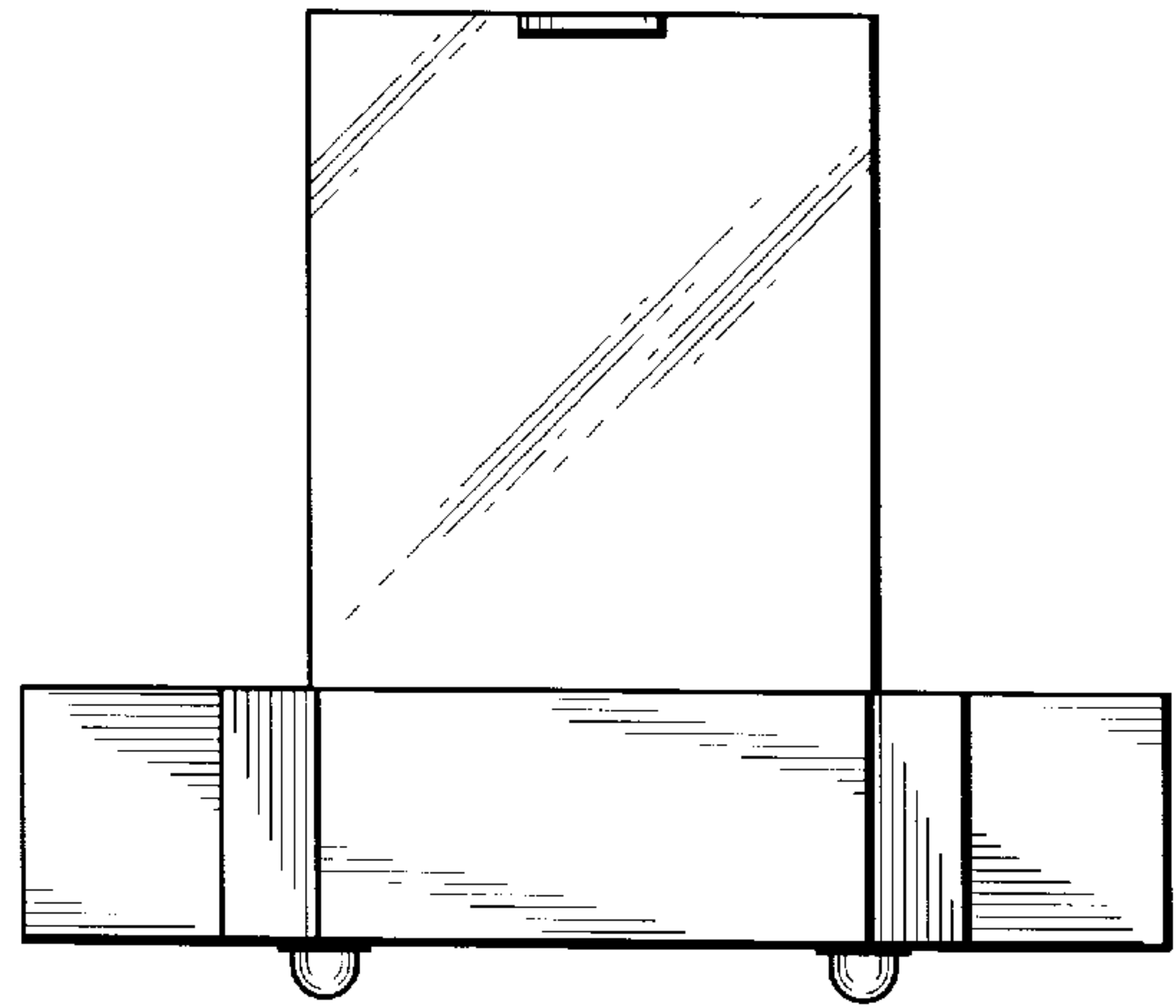
*Fig. 3*



*Fig. 4*



*Fig. 5*



*Fig. 6*