



US00D426784S

United States Patent [19]
Carlson

[11] **Patent Number: Des. 426,784**

[45] **Date of Patent: ** Jun. 20, 2000**

[54] **COLLAPSIBLE RULER**

[75] Inventor: **Christopher R. Carlson**, Wausau, Wis.

[73] Assignee: **Fiskars Inc.**, Madison, Wis.

[**] Term: **14 Years**

[21] Appl. No.: **29/111,422**

[22] Filed: **Sep. 27, 1999**

[51] **LOC (7) Cl.** **10-04**

[52] **U.S. Cl.** **D10/71**

[58] **Field of Search** D10/71; 33/484-493

[56] **References Cited**

U.S. PATENT DOCUMENTS

D. 158,145	4/1950	Staab	D10/71
D. 169,226	3/1953	Sandberg	D10/71
D. 285,780	9/1986	Wright et al.	D10/71
2,543,476	4/1951	Southern	33/484

Primary Examiner—Antoine Duval Davis
Attorney, Agent, or Firm—Foley & Lardner

[57] **CLAIM**

The ornamental design for the collapsible ruler, as shown and described.

DESCRIPTION

FIG. 1 is a first perspective view of a collapsible ruler showing our new design;
FIG. 2 is a top plan view thereof;
FIG. 3 is an end view thereof;
FIG. 4 is a bottom plan view thereof;
FIG. 5 is a second perspective view of the collapsible ruler in its folded state;
FIG. 6 is a top plan view of the collapsible ruler in FIG. 5;
FIG. 7 is a right side elevational view thereof;
FIG. 8 is a left side elevational view thereof;
FIG. 9 is a third perspective view of the bottom side of the collapsible ruler of FIG. 1;
FIG. 10 is a bottom plan view thereof; and,
FIG. 11 is a fourth perspective view of an alternate bottom side of a collapsible ruler showing a new design.
The broken line showing is for illustrative purposes only and forms no part of the claimed design.

1 Claim, 3 Drawing Sheets

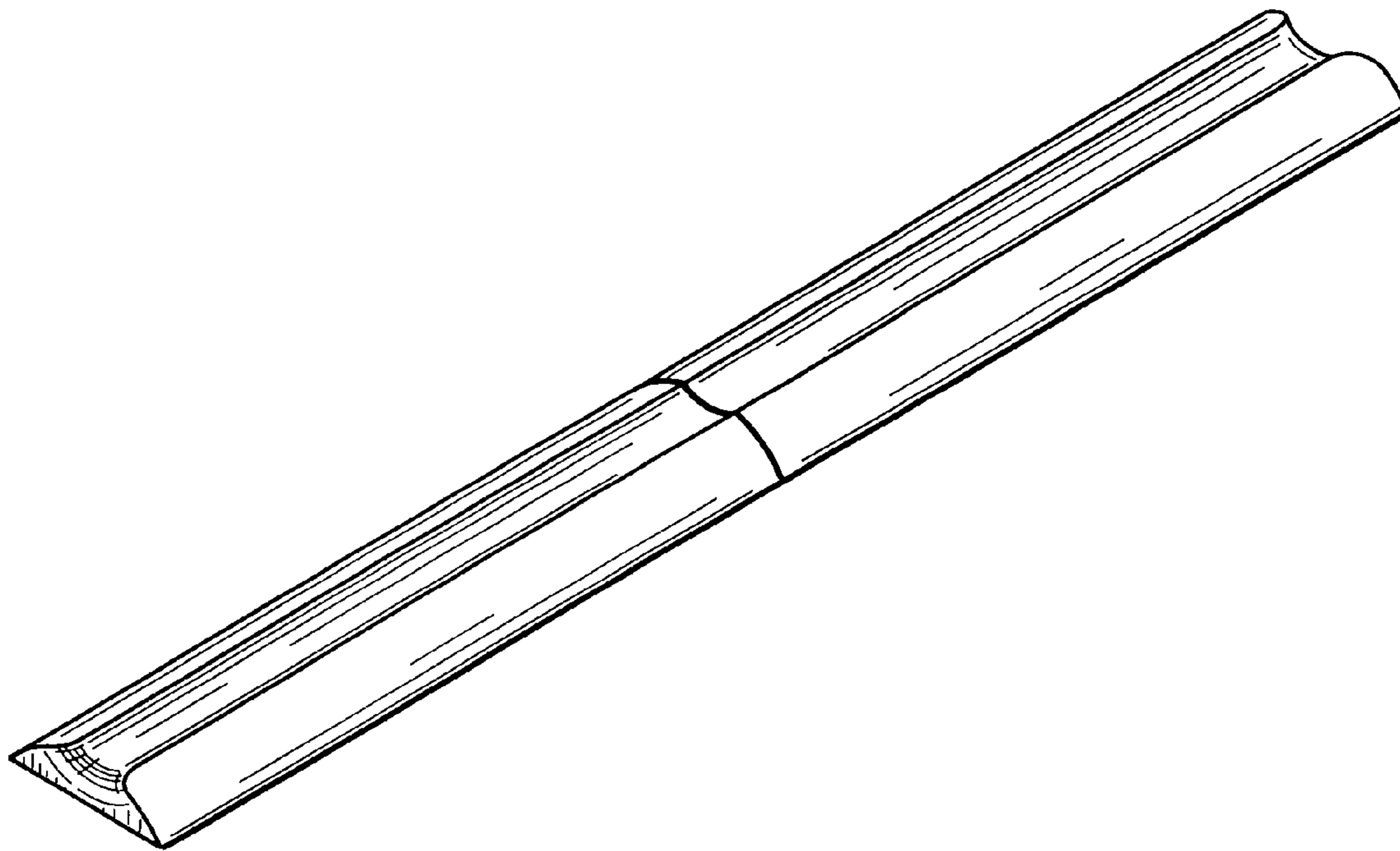


FIG. 1

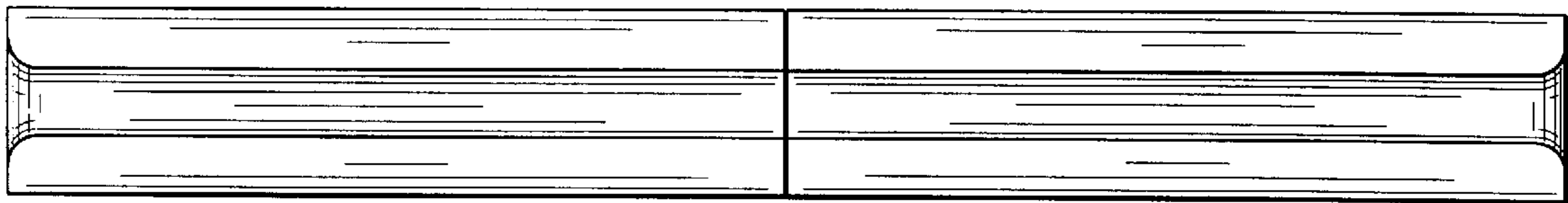
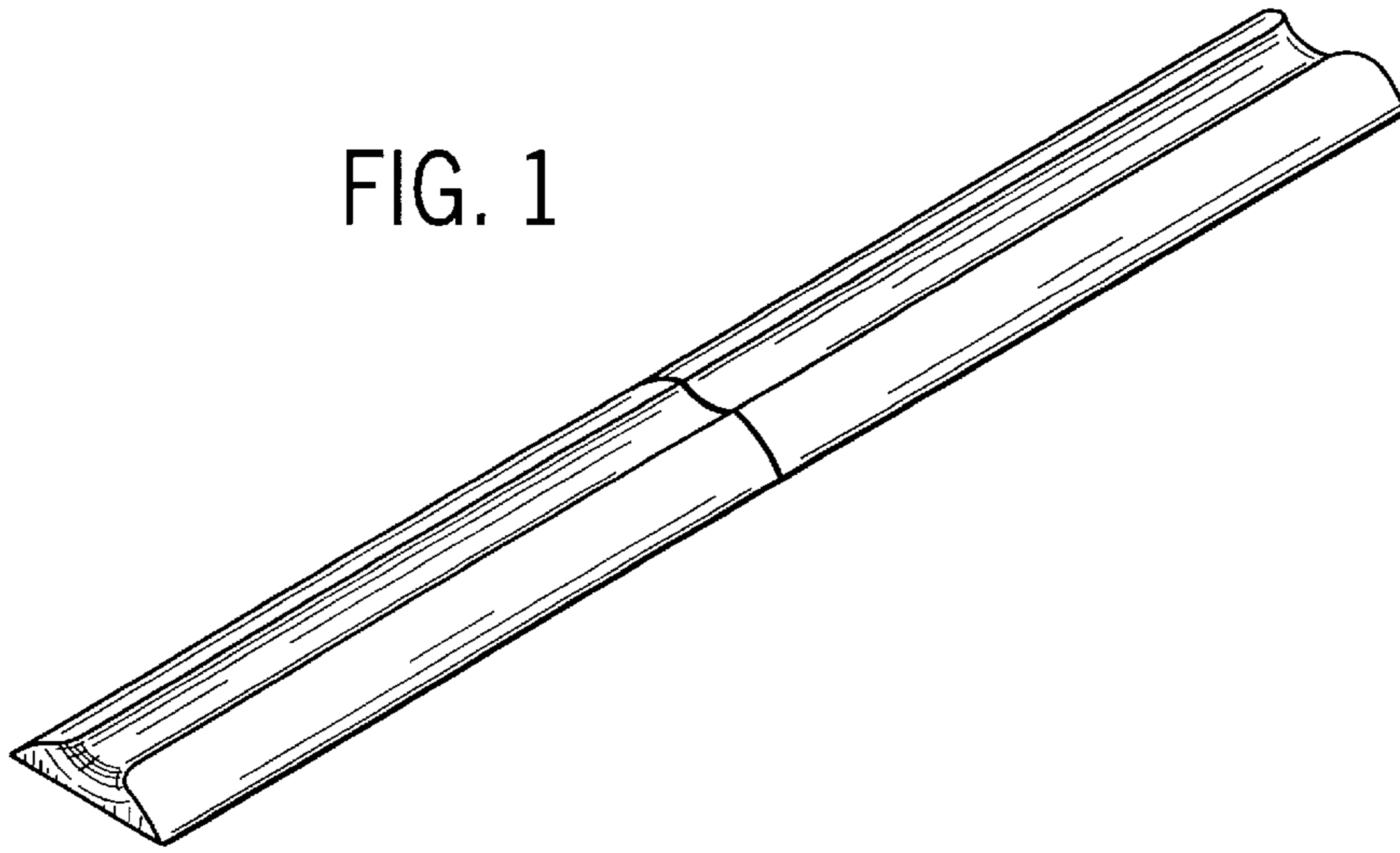


FIG. 2



FIG. 3

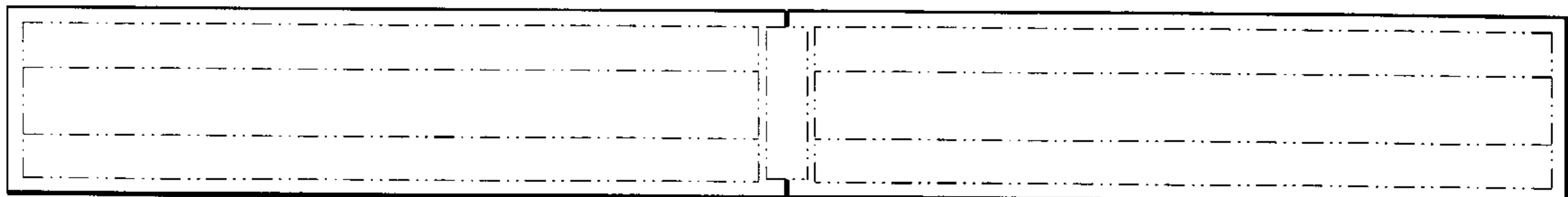


FIG. 4

FIG. 5

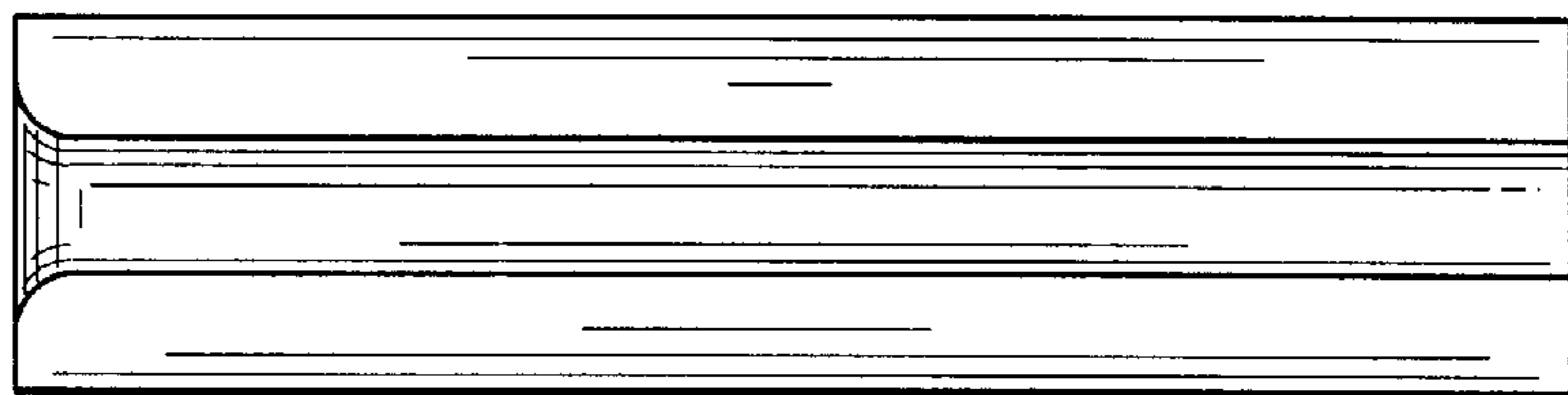
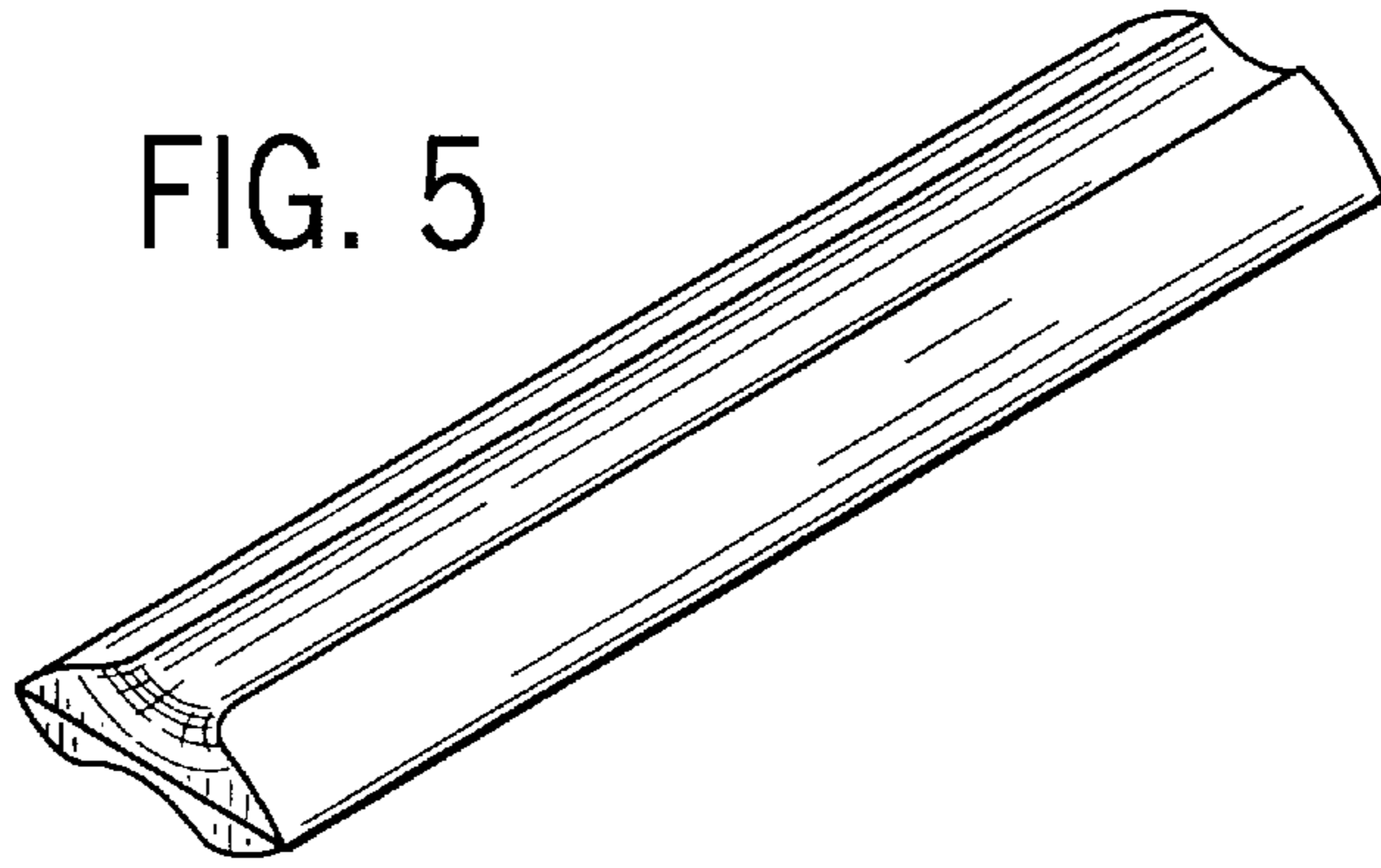


FIG. 6



FIG. 7



FIG. 8

FIG. 9

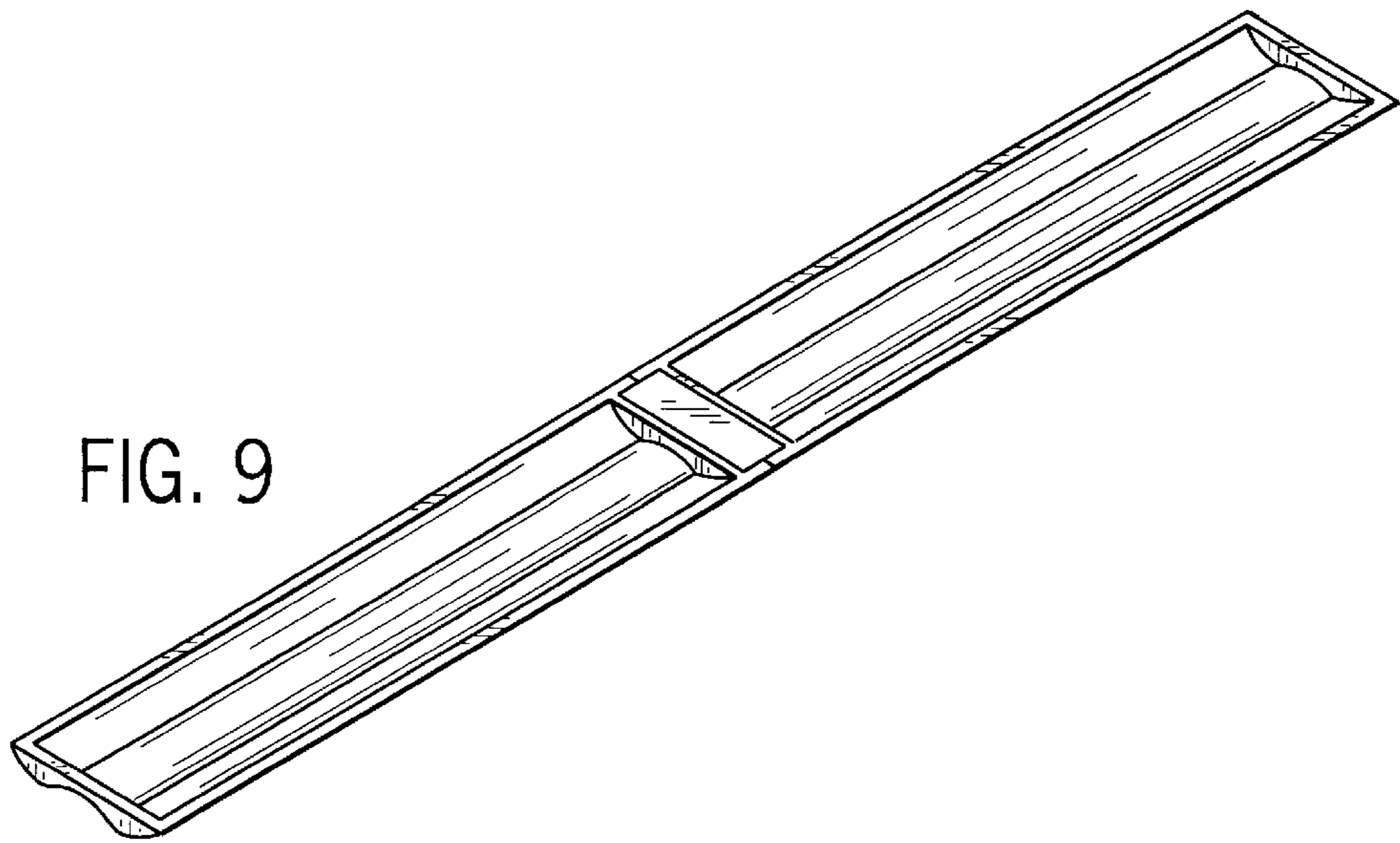


FIG. 10

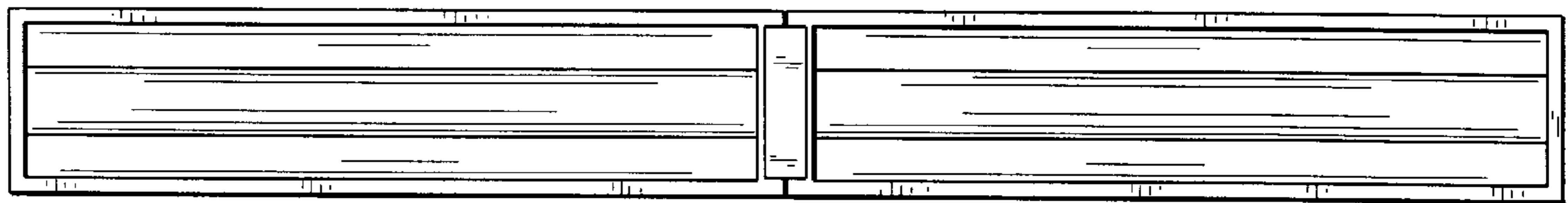


FIG. 11

