



US00D426772S

# United States Patent [19] Kahl

[11] Patent Number: **Des. 426,772**

[45] Date of Patent: **\*\* Jun. 20, 2000**

[54] **DISPENSING JAR COVER**

[75] Inventor: **Earl Kahl**, Kingsville, Md.

[73] Assignee: **Poly-Seal Corporation**, Baltimore, Md.

[\*\*] Term: **14 Years**

[21] Appl. No.: **29/100,979**

[22] Filed: **Feb. 22, 1999**

[51] **LOC (7) Cl.** ..... **09-07**

[52] **U.S. Cl.** ..... **D9/449**

[58] **Field of Search** ..... D9/435, 440, 447,  
D9/449, 450, 454; D7/392, 397; D28/78;  
215/215, 235, 236; 220/244, 258, 334-338

[56] **References Cited**

**U.S. PATENT DOCUMENTS**

D. 366,418	1/1996	Lown et al.	.....	D9/449
D. 411,744	6/1999	Brach et al.	.....	D9/449 X
D. 413,064	8/1999	Bansal	.....	D9/449
1,986,271	1/1935	Keith	.....	215/63
2,102,440	12/1937	Sebell	.....	215/46
2,136,123	11/1938	Baron	.....	65/31
2,392,507	1/1946	Sebell	.....	215/95
2,950,833	8/1960	Short	.....	215/63
4,209,100	6/1980	Uhlig	.....	215/216
4,378,073	3/1983	Luker	.....	215/237
4,457,458	7/1984	Heinol	.....	222/498
4,714,181	12/1987	Kozlowski et al.	.....	222/480
4,807,769	2/1989	Gach	.....	215/235
5,040,691	8/1991	Hayes et al.	.....	215/216
5,588,546	12/1996	Farside	.....	215/237
5,697,509	12/1997	Hayes	.....	215/235
5,785,193	7/1998	Kobayashi et al.	.....	215/235
5,810,212	9/1998	Santagiuliana	.....	222/546
5,865,354	2/1999	Bansal	.....	222/546
5,934,496	8/1999	Mogard et al.	.....	220/258

**OTHER PUBLICATIONS**

- Photograph of threaded article "A".
- Photograph of threaded article "B".
- Photograph of threaded article "C".

*Primary Examiner*—Cathron B. Matta  
*Attorney, Agent, or Firm*—Dickstein Shapiro Morin & Oshinsky LLP

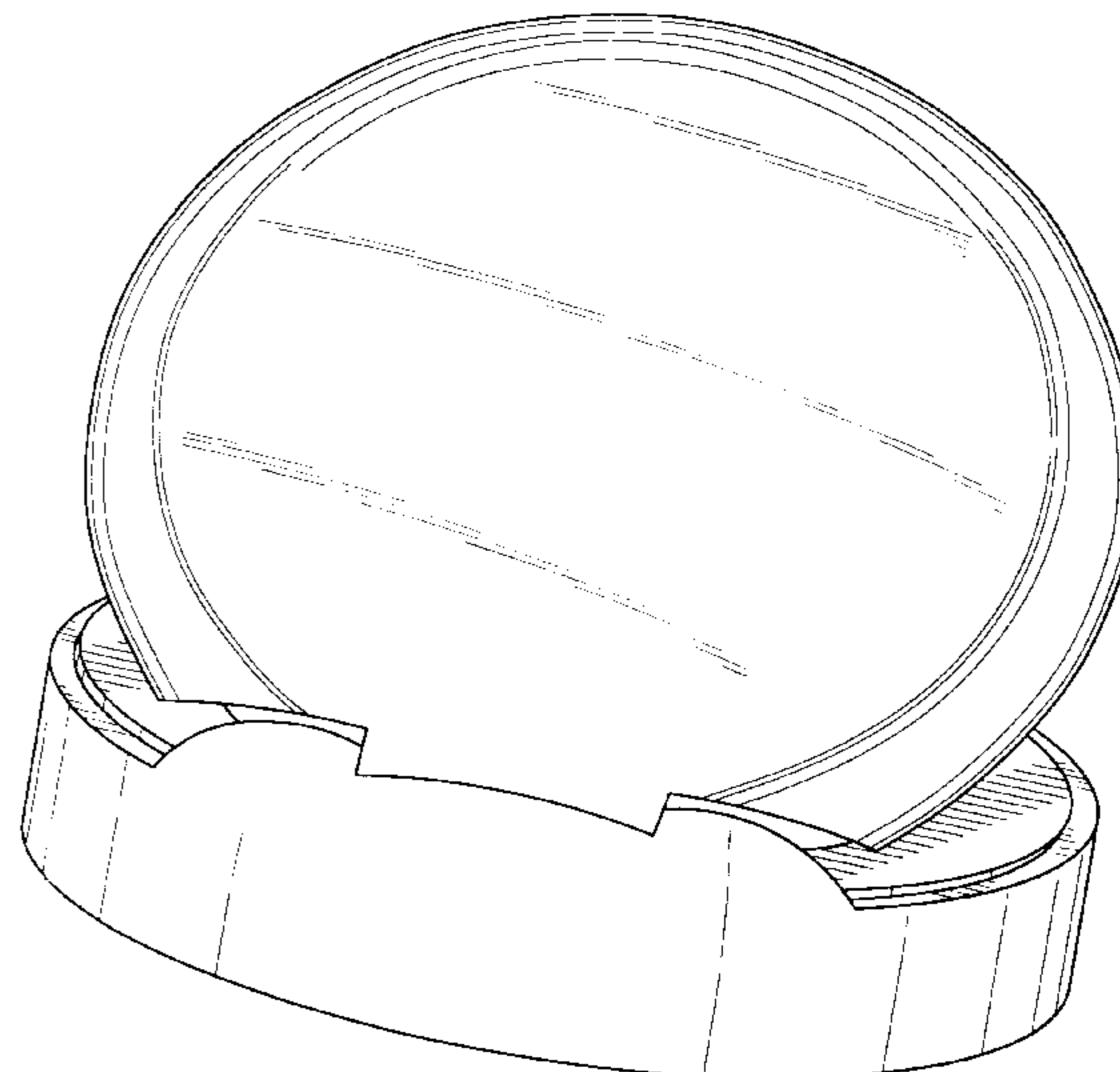
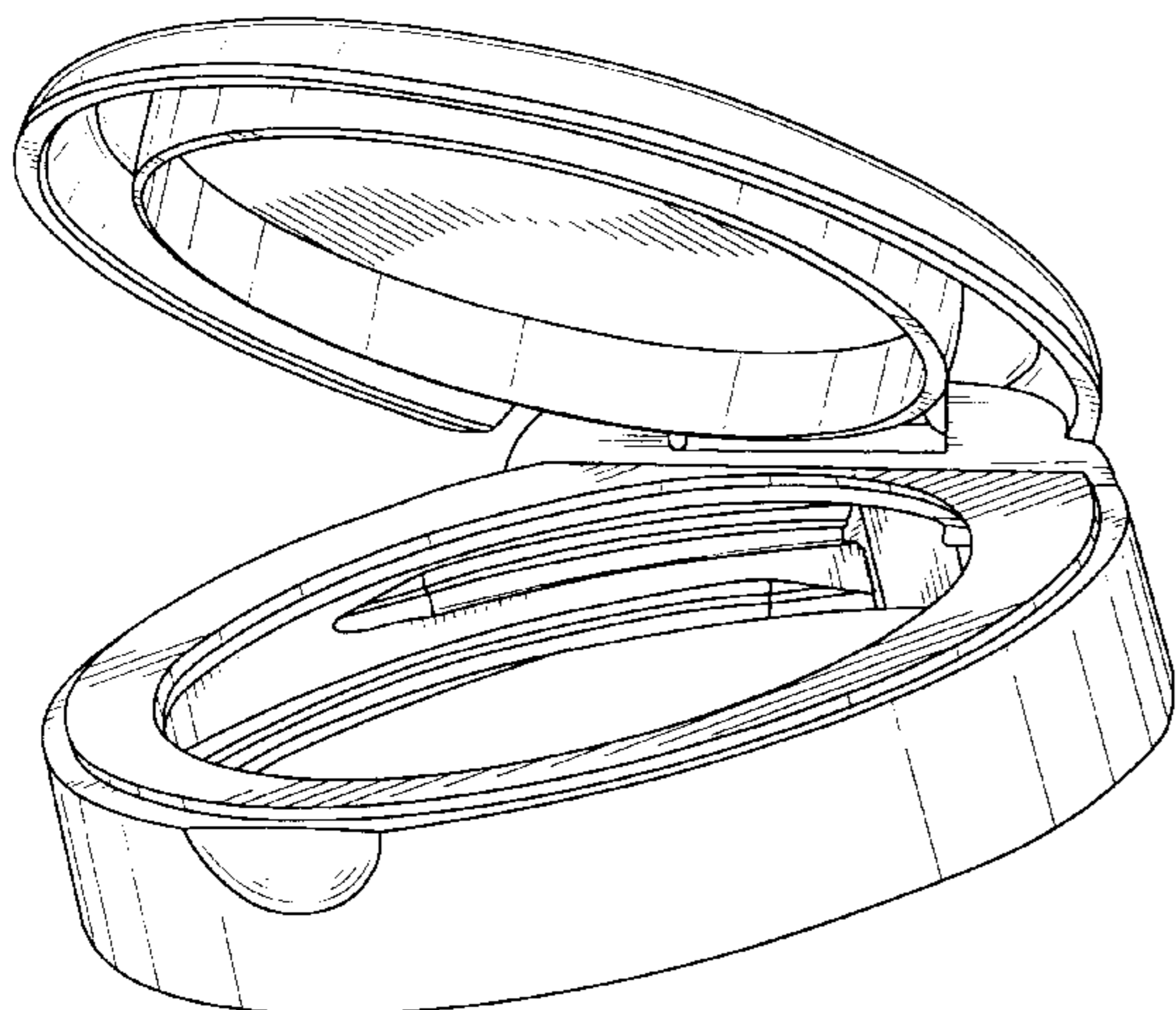
[57] **CLAIM**

The ornamental design for a dispensing jar cover, as shown and described.

**DESCRIPTION**

FIG. 1 is a front, right side, and top perspective view of a dispensing jar cover according to the present invention; FIG. 2 is a back, left side, and top perspective view of dispensing jar cover of FIG. 1 in an open position. FIG. 3 is a bottom perspective view of a dispensing jar cover of FIG. 1 in an closed position. FIG. 4 is a front view of the dispensing jar cover of FIG. 1 in a closed position; FIG. 5 is a right side view of the dispensing jar cover of FIG. 1 in a closed position; FIG. 6 is a left side view of the dispensing jar cover of FIG. 1 in a closed position; FIG. 7 is a top view of the dispensing jar cover of FIG. 1 in a closed position; FIG. 8 is a bottom view of the dispensing jar cover of FIG. 1 in a closed position; FIG. 9 is a rear view of the dispensing jar cover of FIG. 1 in a closed position; FIG. 10 is a front view of the dispensing jar cover of FIG. 1 in an open position; FIG. 11 is a right side view of the dispensing jar cover of FIG. 1 in an open position; FIG. 12 is a left side view of the dispensing jar cover of FIG. 1 in an open position; FIG. 13 is a top view of the dispensing jar cover of FIG. 1 in an open position; FIG. 14 is a bottom view of the dispensing jar cover of FIG. 1 in an open position; and, FIG. 15 is a rear view of the dispensing jar cover of FIG. 1 in an open position.

**1 Claim, 8 Drawing Sheets**



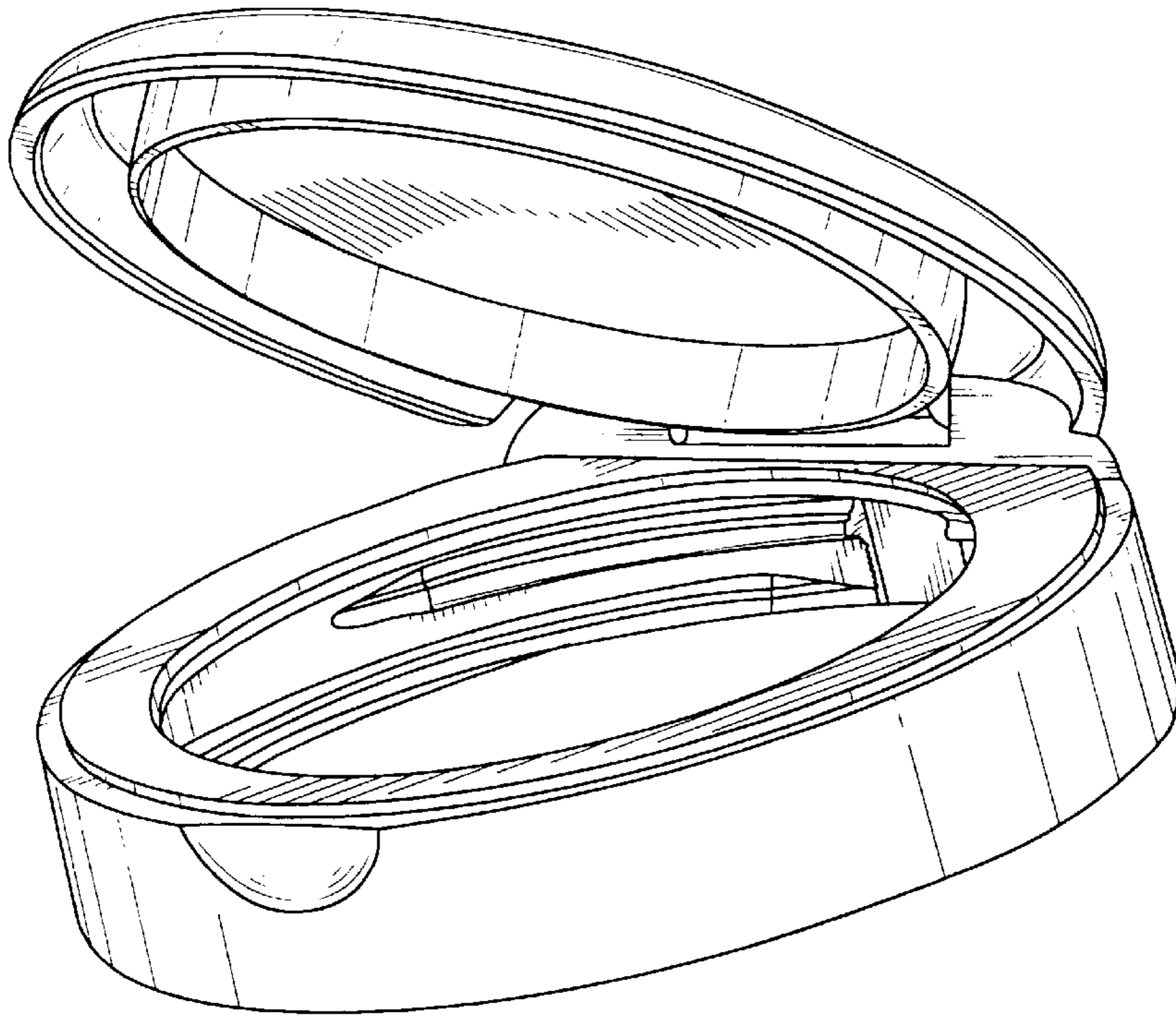


FIG. 1

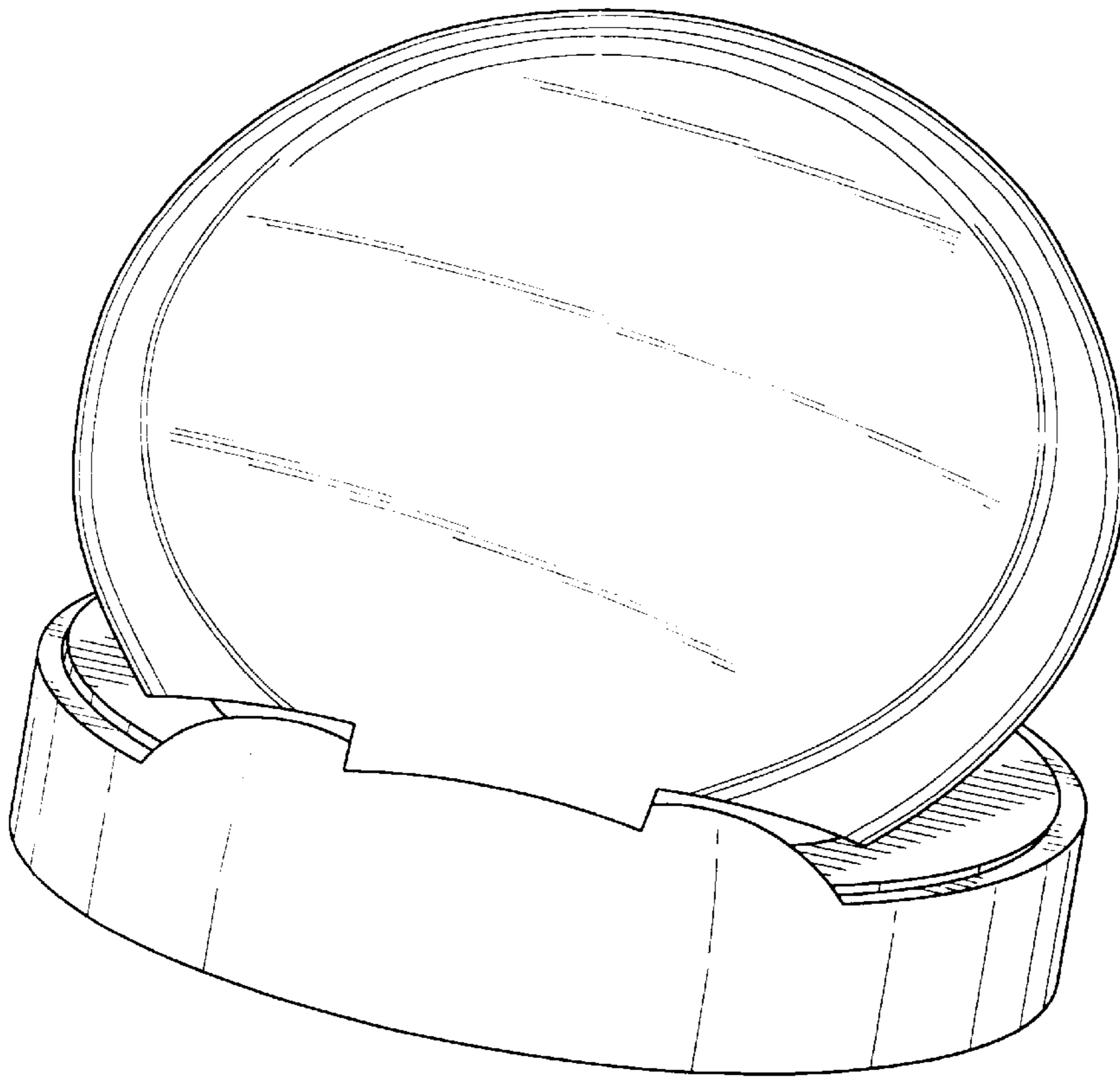


FIG. 2



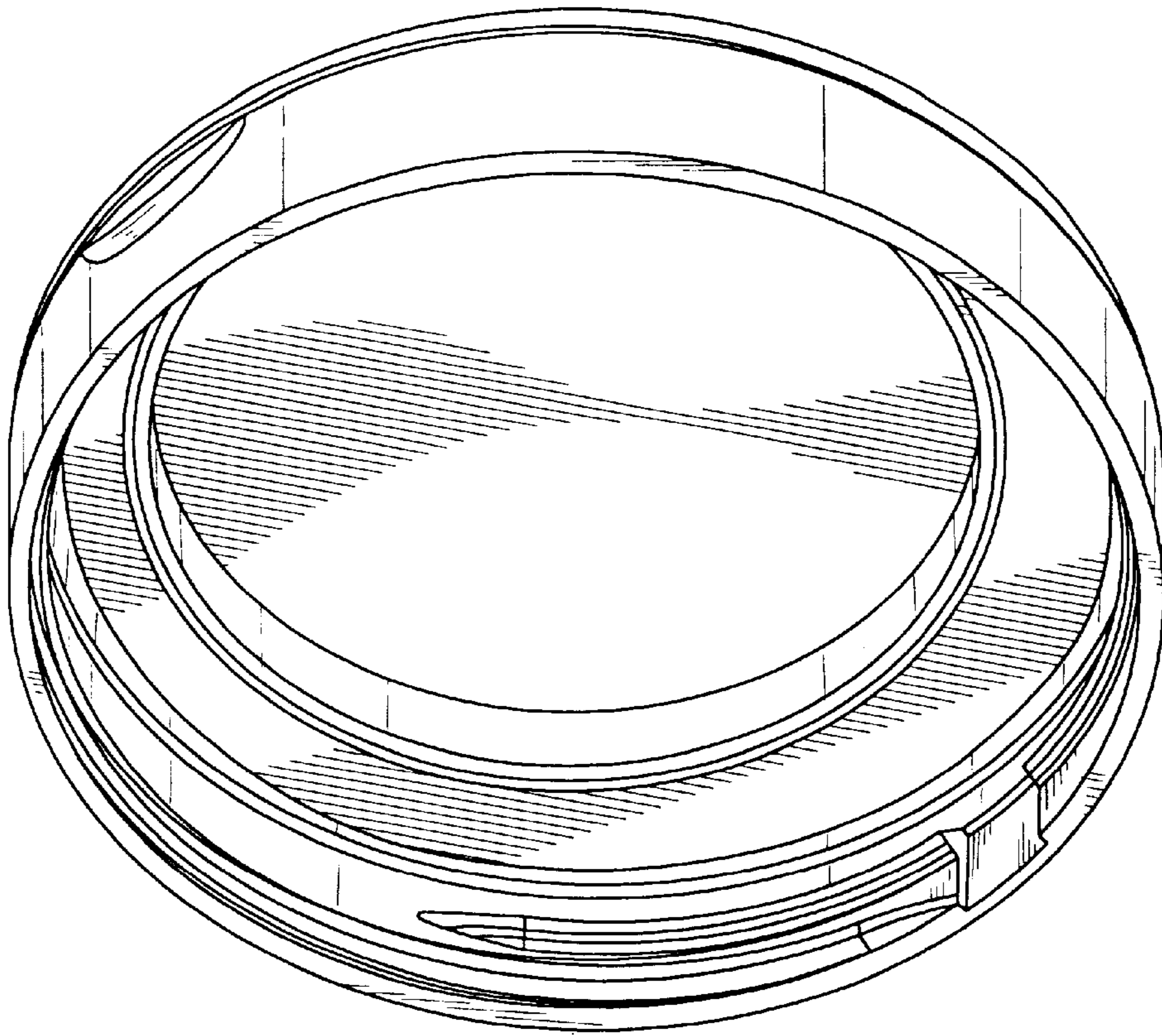


FIG. 3

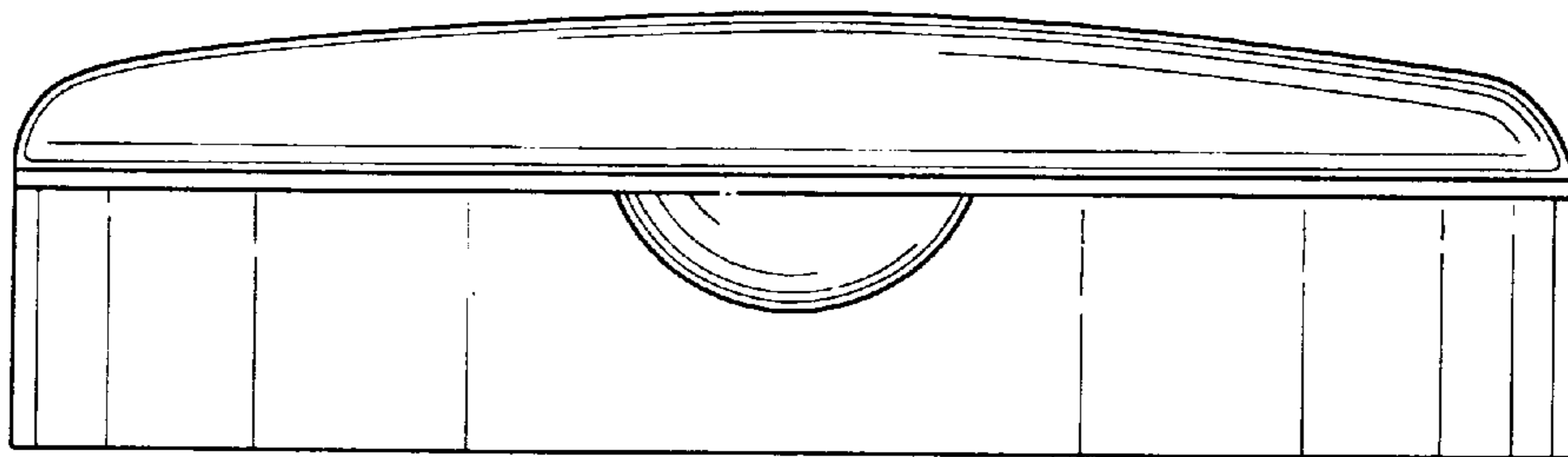


FIG. 4

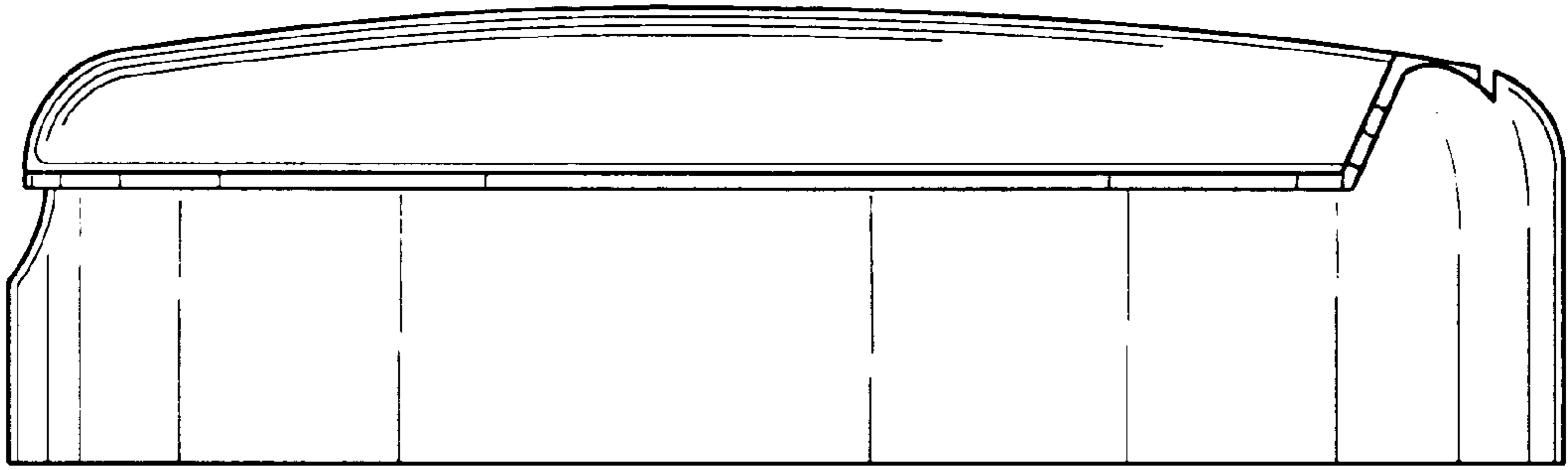


FIG. 5

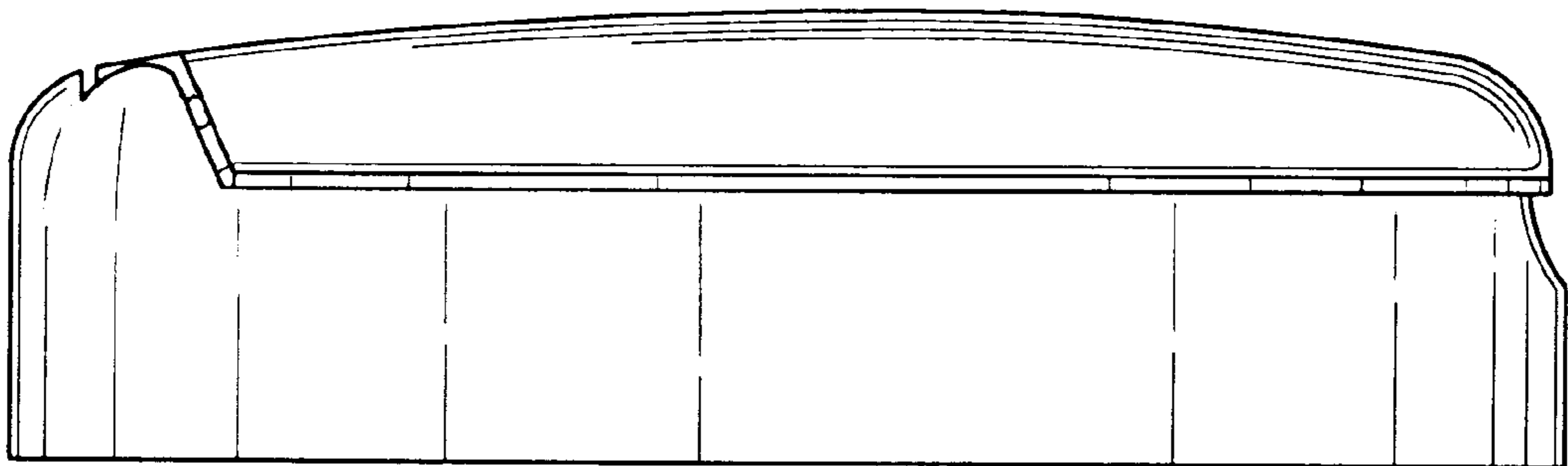


FIG. 6

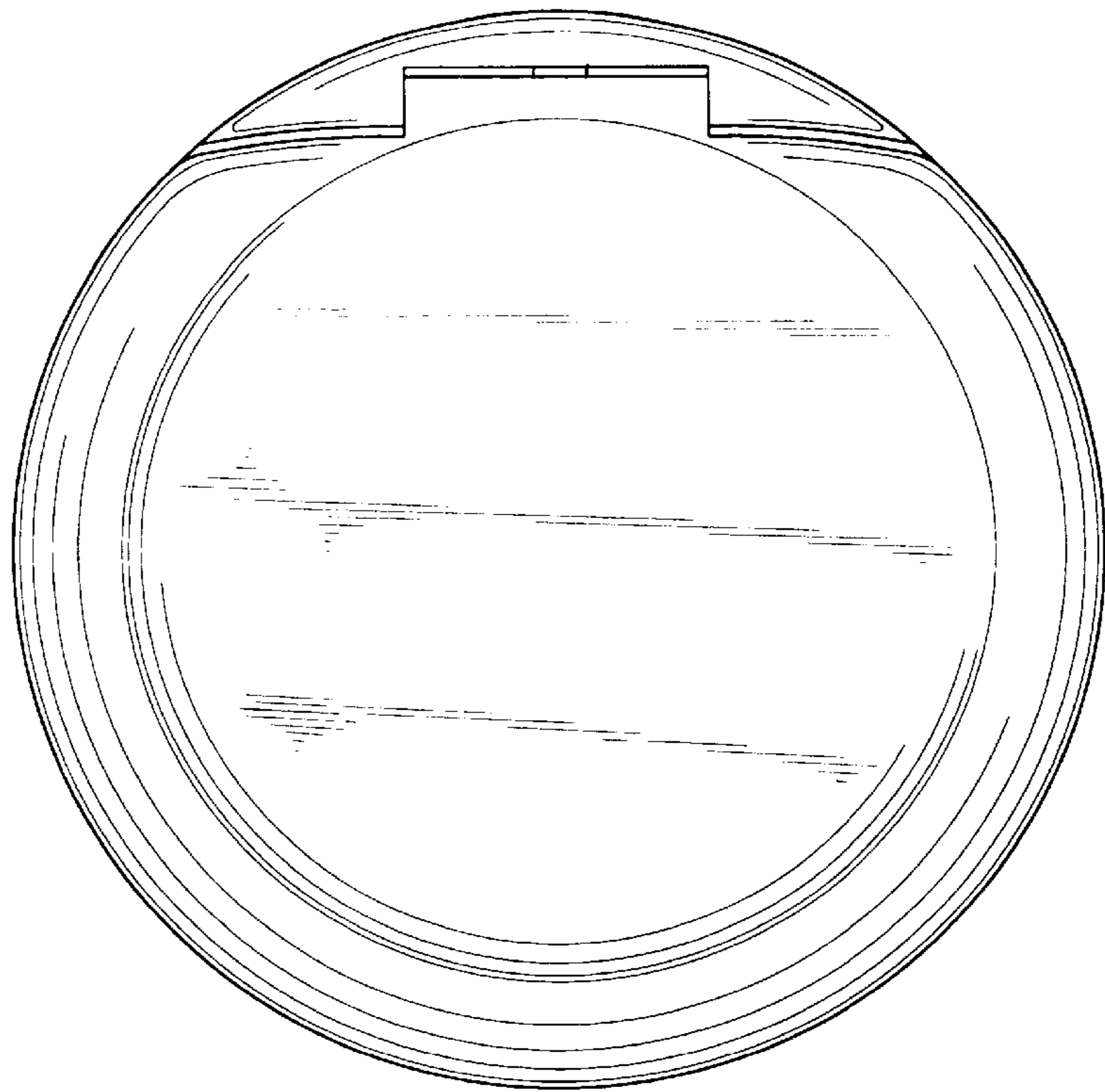


FIG. 7

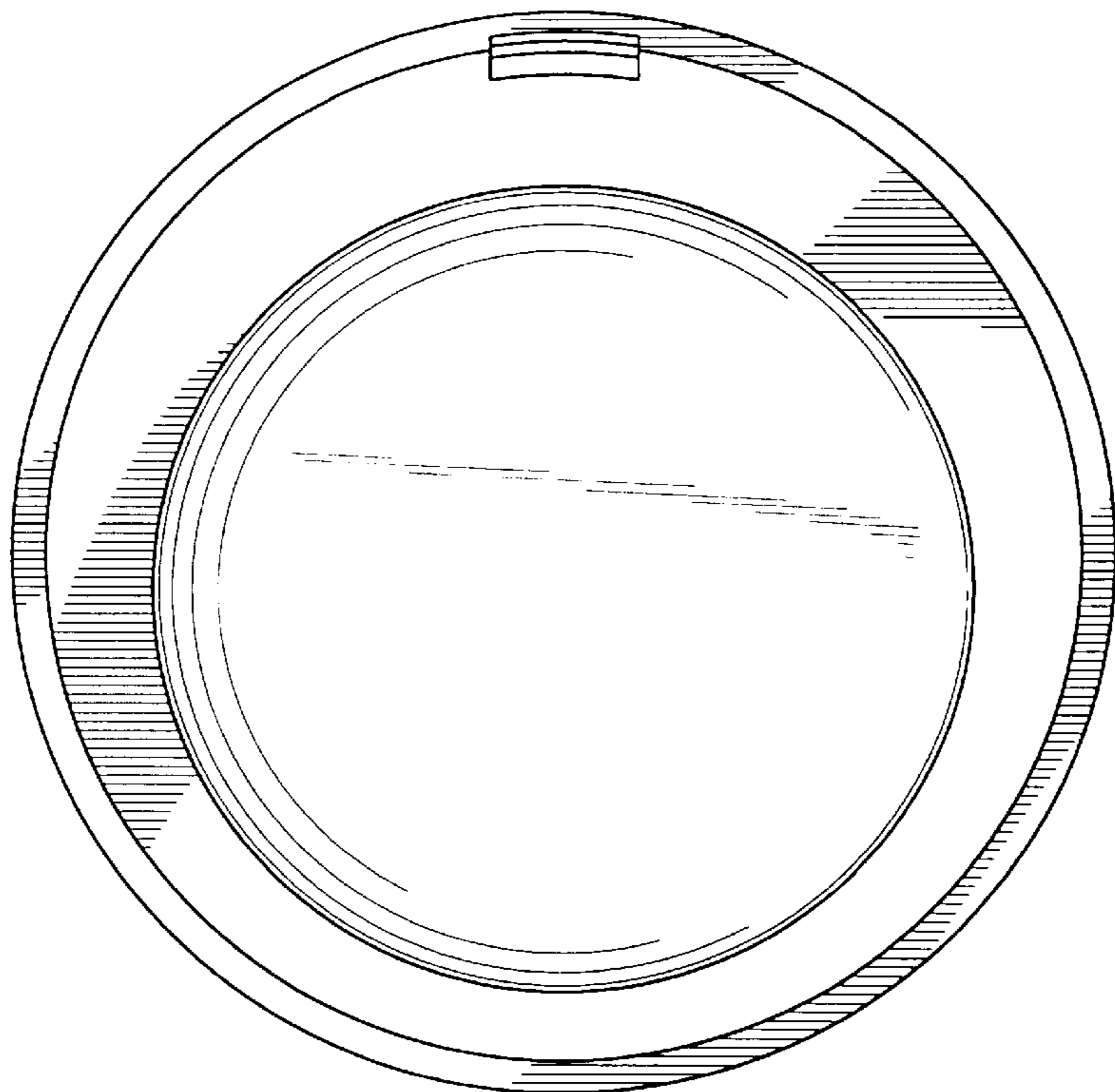


FIG. 8

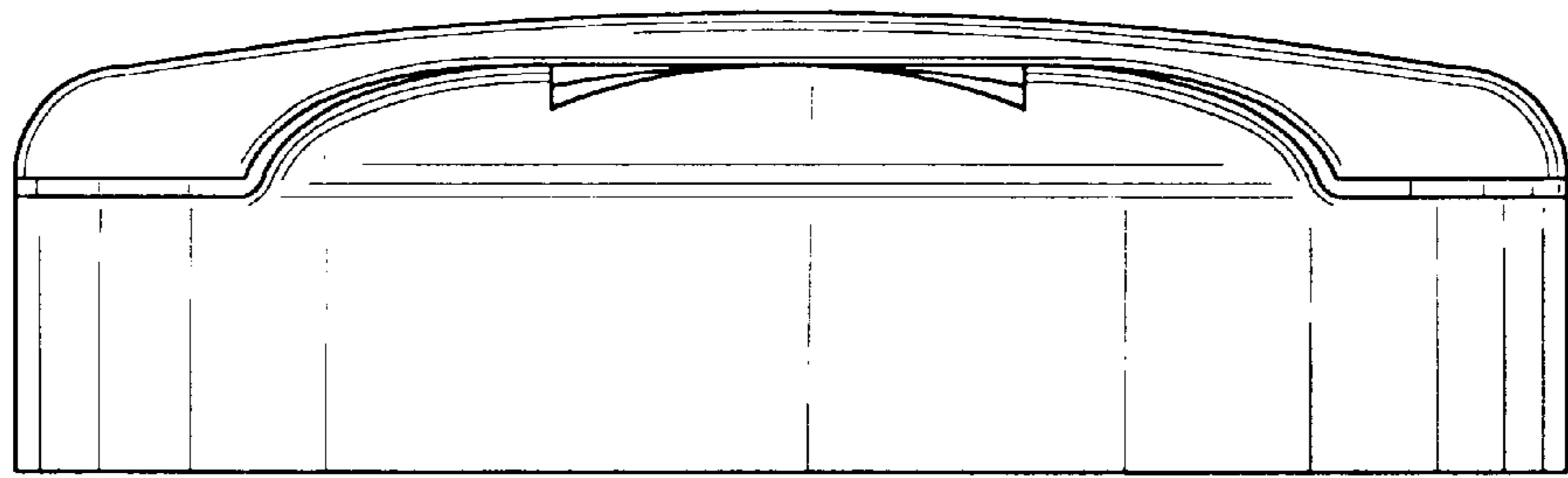


FIG. 9

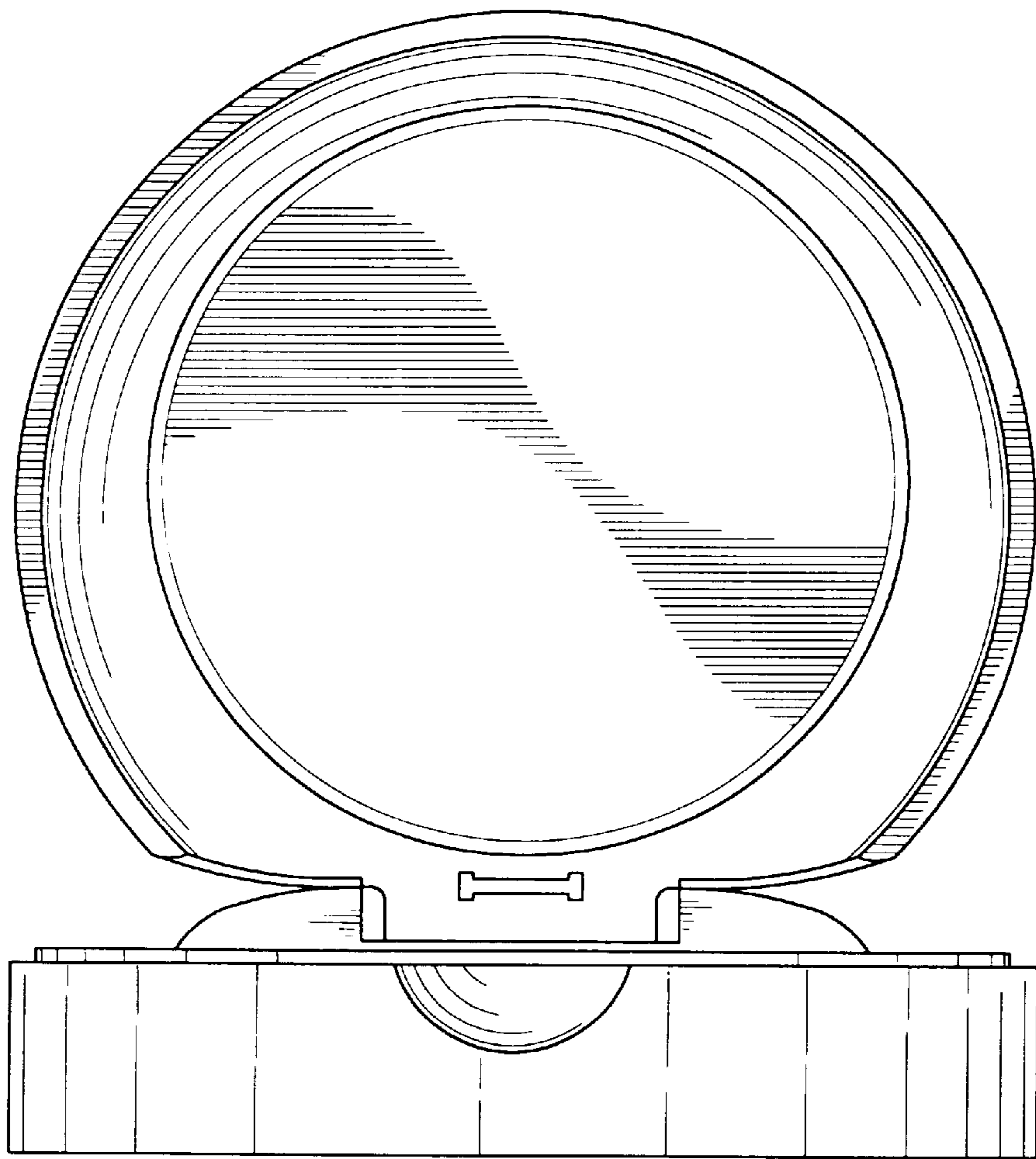


FIG. 10

FIG. 11

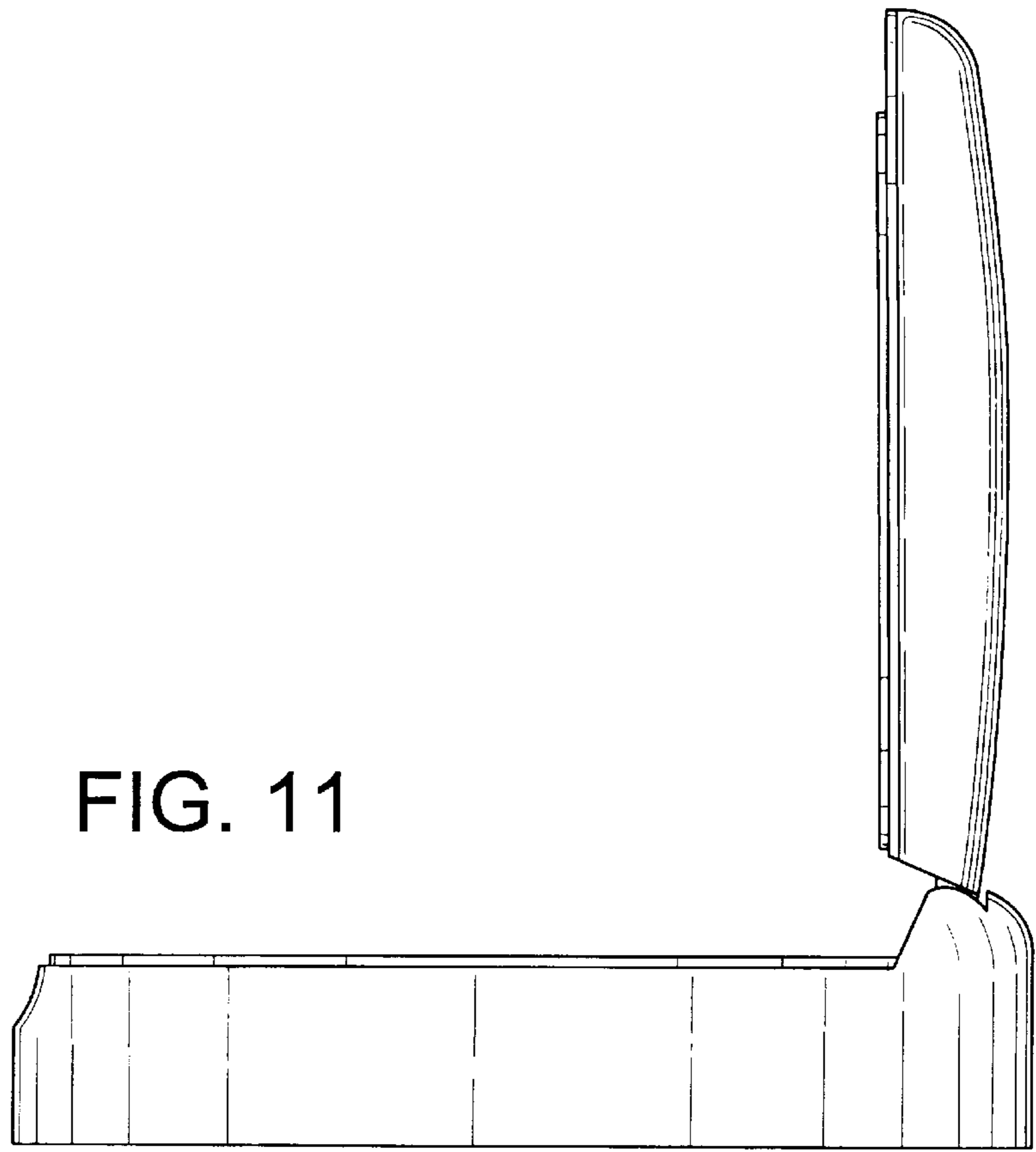
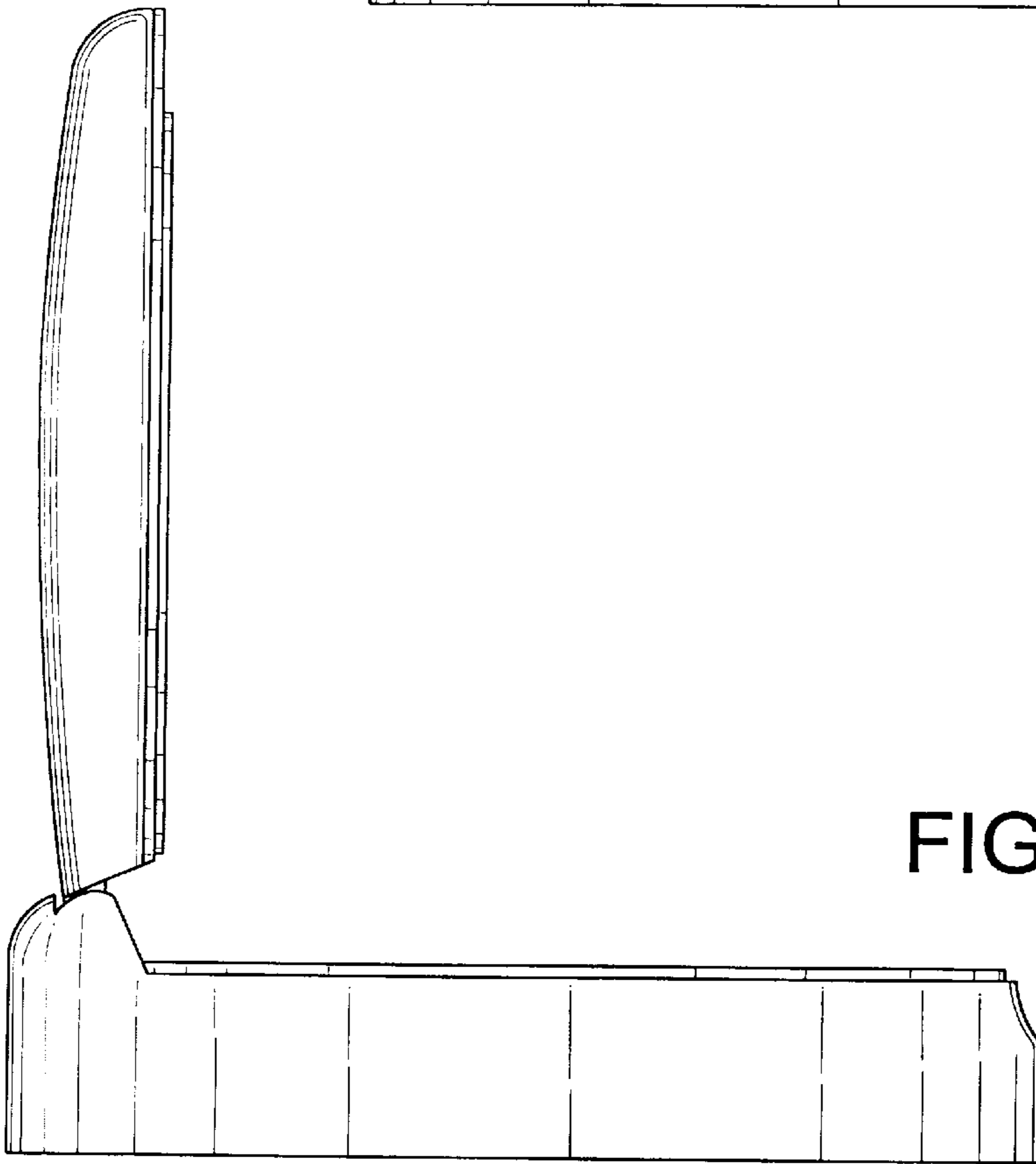


FIG. 12



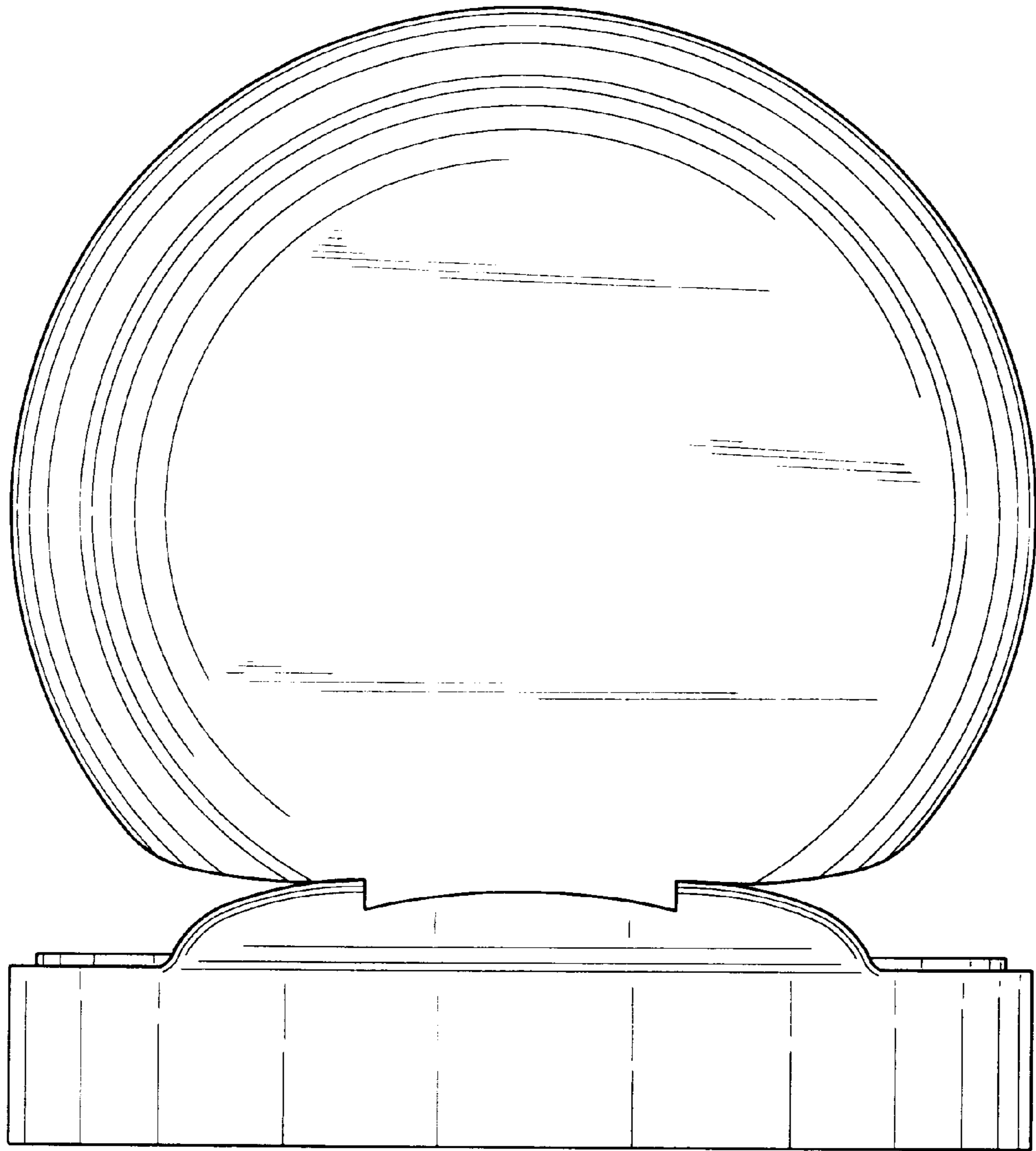


FIG. 15



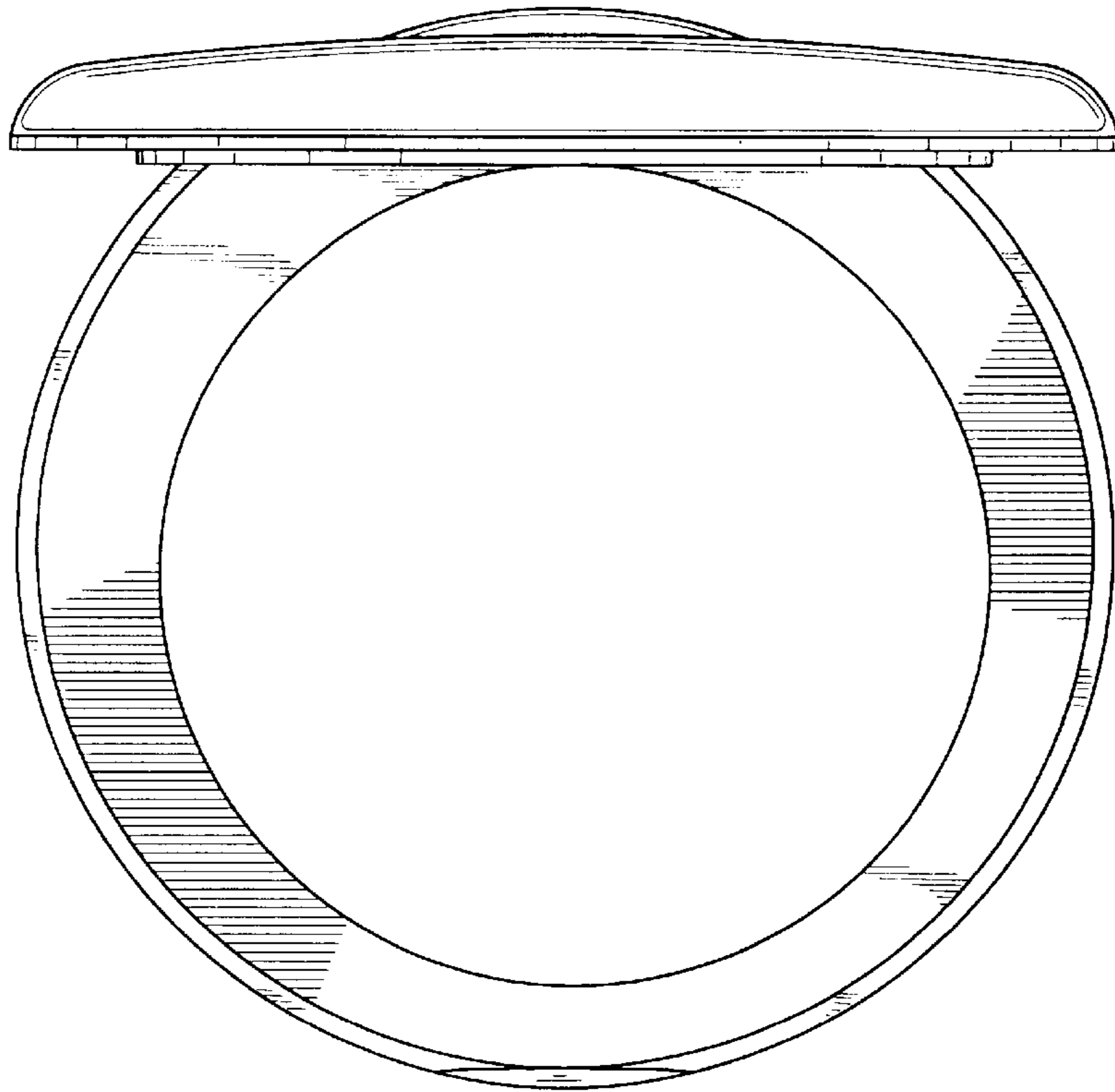


FIG. 13

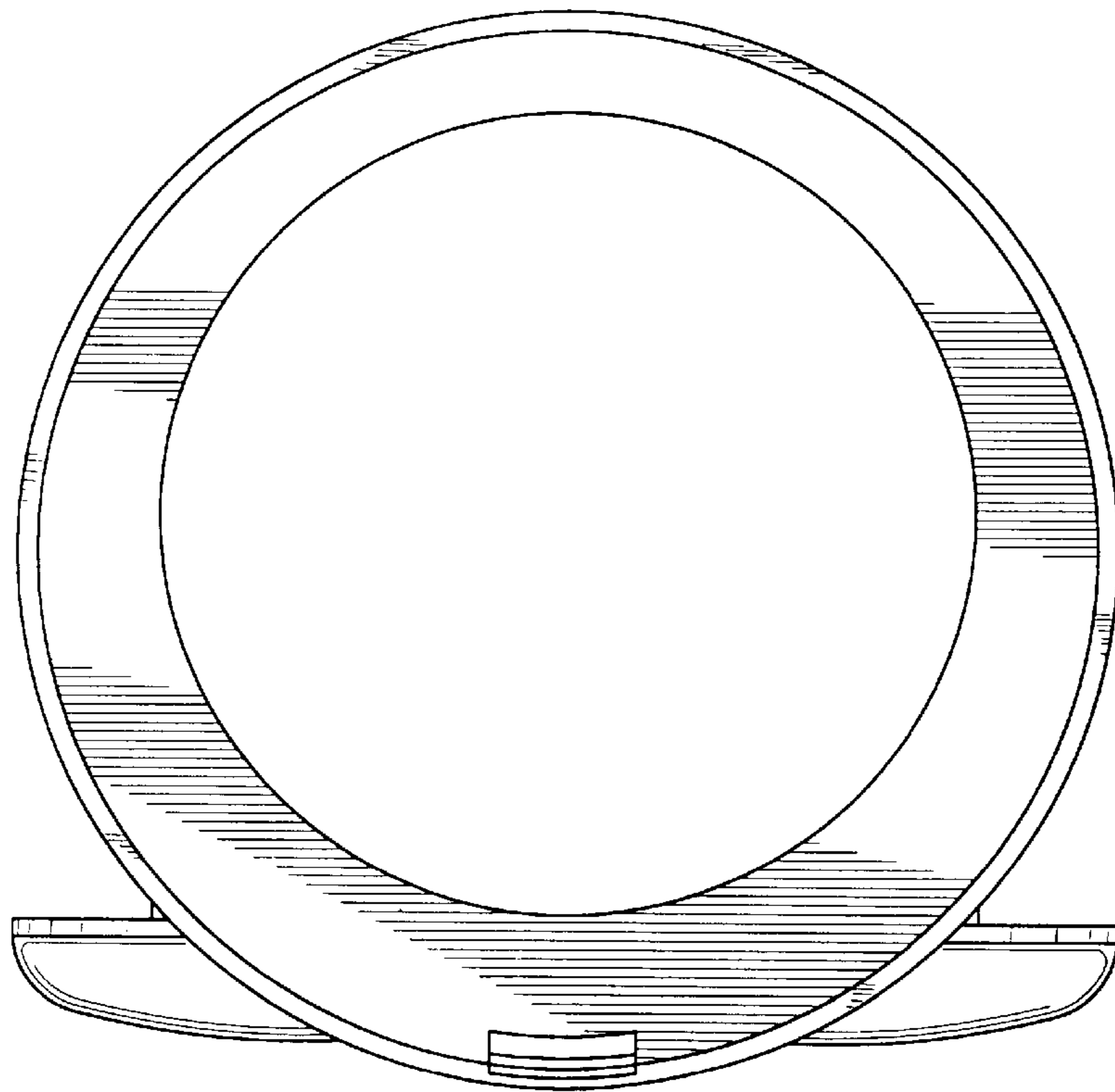


FIG. 14