



US00D426771S

# United States Patent [19]

Blow et al.

[11] Patent Number: **Des. 426,771**

[45] Date of Patent: **\*\* \*Jun. 20, 2000**

[54] **CAN END PULL TAB**

[75] Inventors: **Andrew Osborne Blow**, Grove; **Ian Connelly**, Carlisle; **Bruce John Munn**, Wantage, all of United Kingdom

[73] Assignee: **Crown Cork & Seal Technologies Corporation**, Alsip, Ill.

[\*] Notice: This patent is subject to a terminal disclaimer.

[\*\*] Term: **14 Years**

[21] Appl. No.: **29/108,160**

[22] Filed: **Jul. 20, 1999**

### [30] Foreign Application Priority Data

Jan. 20, 1999	[GB]	United Kingdom	.....	2080480
Jun. 26, 1999	[GB]	United Kingdom	.....	2084435

[51] **LOC (7) Cl.** ..... **09-07**

[52] **U.S. Cl.** ..... **D9/434; D9/438**

[58] **Field of Search** ..... D9/4, 34, 416, D9/438, 518; 206/459.5; 215/230, 255; 220/269-272, 906; 222/153.07

### [56] References Cited

#### U.S. PATENT DOCUMENTS

D. 268,250	3/1983	Smyth	.....	D9/438
------------	--------	-------	-------	--------

D. 273,846	5/1984	Fraze	.....	D9/438
D. 275,373	9/1984	Brown et al.	.....	D9/438
D. 406,236	3/1999	Brifcani et al.	.....	D9/438
5,335,808	8/1994	Lee	.....	220/269

*Primary Examiner*—Cathron B. Matta  
*Attorney, Agent, or Firm*—Diller, Ramik & Wight, PC

### [57] CLAIM

The ornamental design for a can end pull tab, as shown and described.

### DESCRIPTION

FIG. 1 is a top perspective view of a can end pull tab showing our new design;

FIG. 2 is a top plan view; and,

FIG. 3 is a cross-sectional view taken along line 3—3 of FIG. 2.

The surfaces or portions of the article not shown in the drawing or described in the specification forms no part of the claimed design.

The broken line showing of portions of the can end pull tab are for illustrative purposes only and form no part of the claimed design.

**1 Claim, 1 Drawing Sheet**

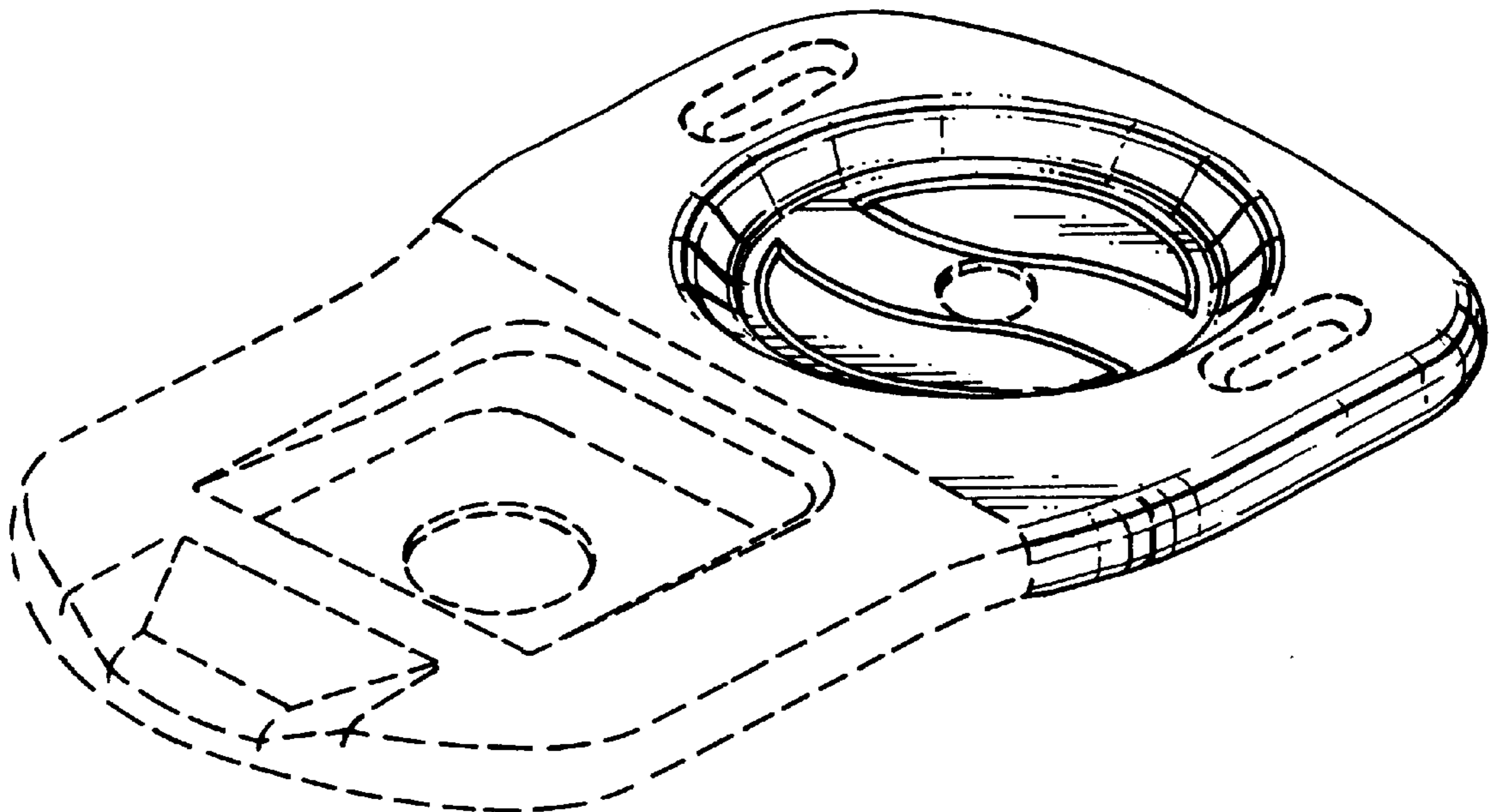


Fig.1.

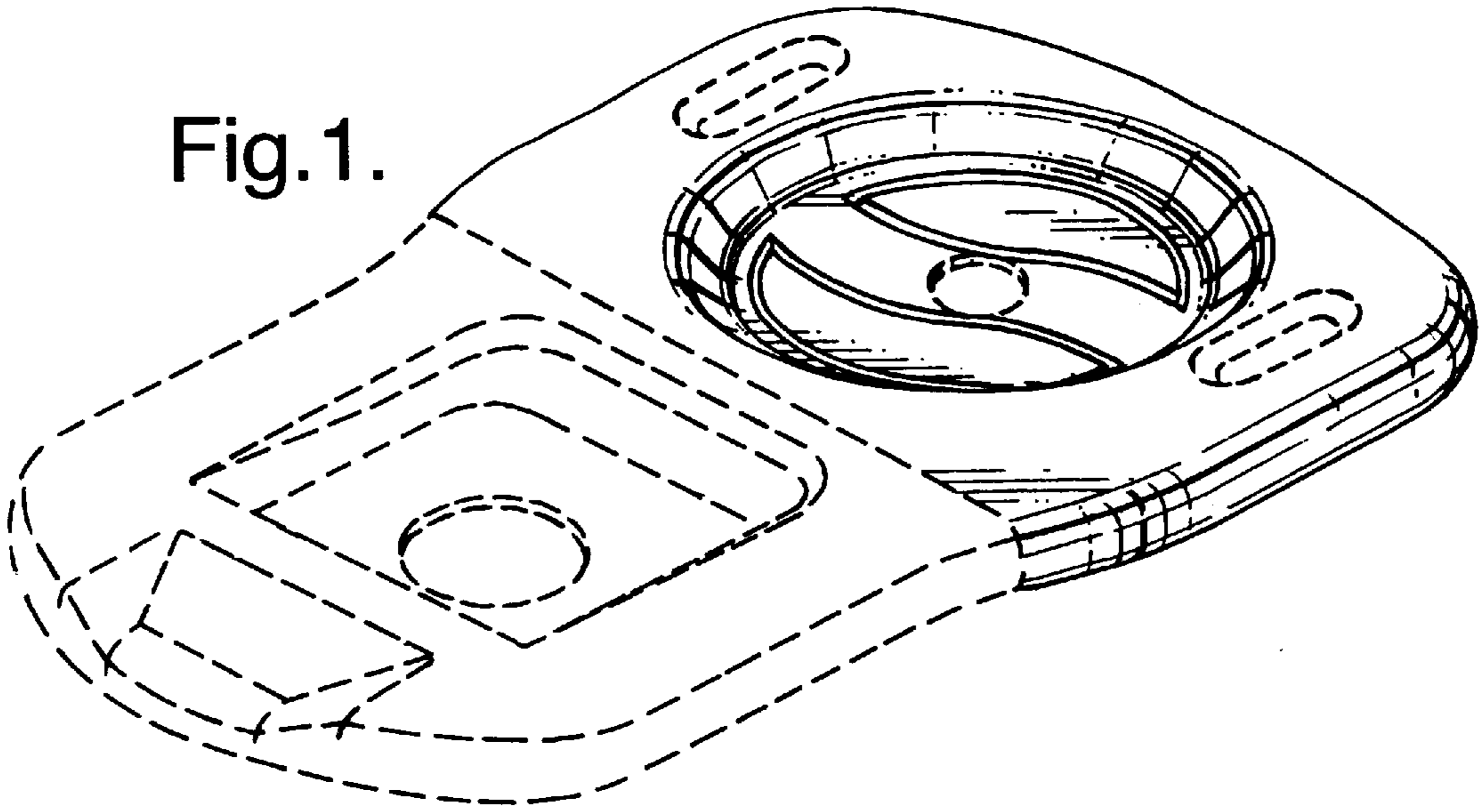


Fig.2.

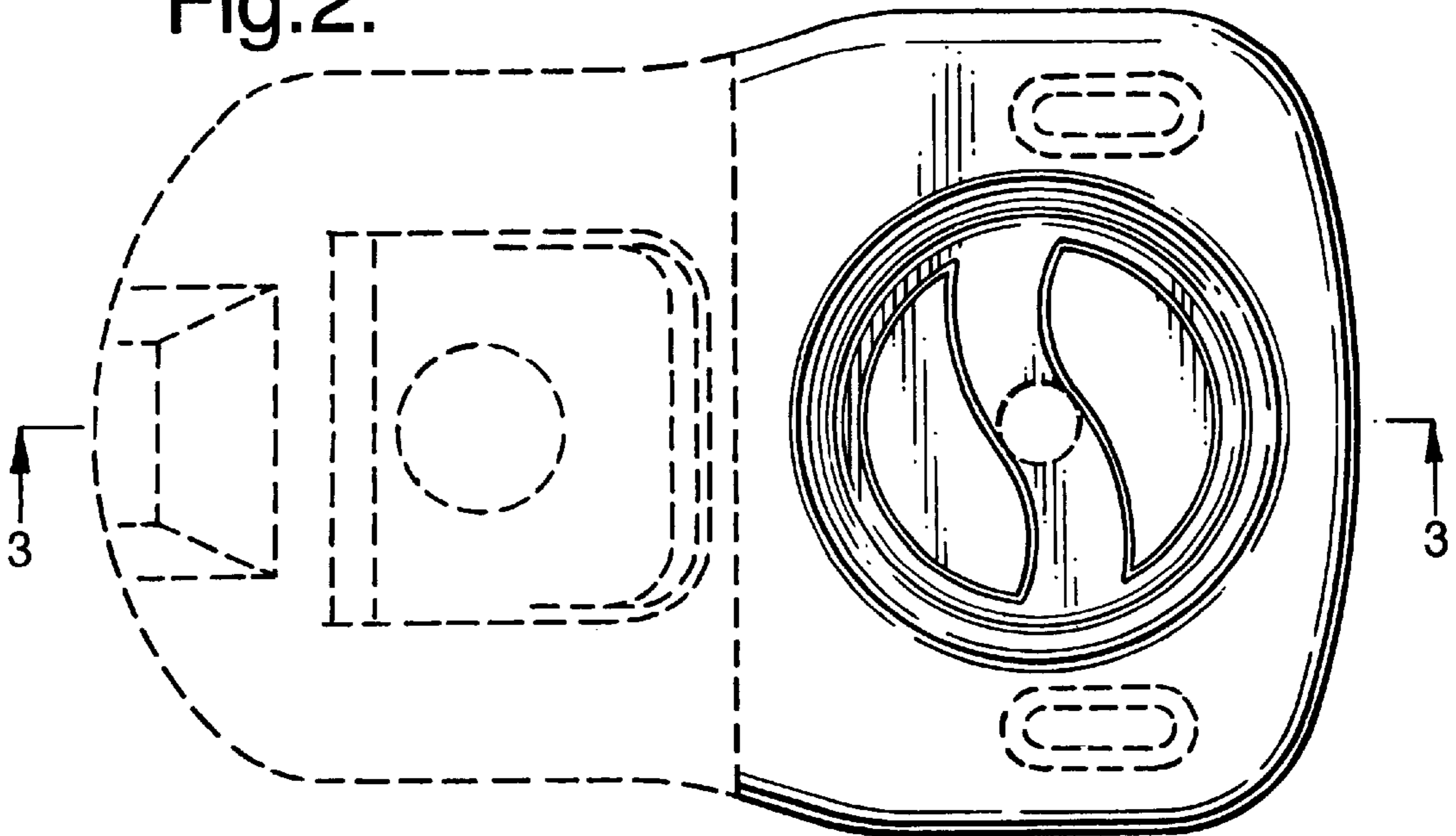


Fig.3.

