



US00D426770S

United States Patent [19] Crawford

[11] **Patent Number: Des. 426,770**
[45] **Date of Patent: ** Jun. 20, 2000**

[54] **DISPENSER**

[75] Inventor: **John C. Crawford**, Mahopac, N.Y.

[73] Assignee: **Colgate-Palmolive Company**, New York, N.Y.

[**] Term: **14 Years**

[21] Appl. No.: **29/082,399**

[22] Filed: **Jan. 21, 1998**

[51] **LOC (7) Cl. 09-07**

[52] **U.S. Cl. D9/338**

[58] **Field of Search** D9/337, 338, 339,
D9/503, 517-519, 520, 529, 571-575; D28/7,
76, 82; 401/95, 172, 175, 176, 179

[56] **References Cited**

U.S. PATENT DOCUMENTS

D. 262,266	12/1981	Hadtko et al.	D9/520 X
D. 279,650	7/1985	Aldrich, III et al.	D9/529
D. 369,098	4/1996	Dinand	D9/574 X
D. 374,827	10/1996	Valls	D9/574 X
D. 385,779	11/1997	Sokol et al.	D9/338
718,969	1/1903	Altshul	401/176
4,588,320	5/1986	Weinstein	401/209 X
5,051,016	9/1991	Bengston	401/213

OTHER PUBLICATIONS

Digital photographs of container for BRUT Clear Gel Anti-Perspirant by Faberge—undated.

Primary Examiner—Ted Shooman
Assistant Examiner—Nanda Bondade
Attorney, Agent, or Firm—Michael McGreal

[57] **CLAIM**

The ornamental design for a dispenser, as shown and described.

DESCRIPTION

FIG. 1 is an exploded perspective view of my design for a dispenser.

FIG. 2 is an exploded right side elevational view thereof, the left side view being identical;

FIG. 3 is an exploded front elevation view thereof.

FIG. 4 is an exploded rear elevation view thereof.

FIG. 5 is a top plan view thereof.

FIG. 6 is a bottom plan view thereof.

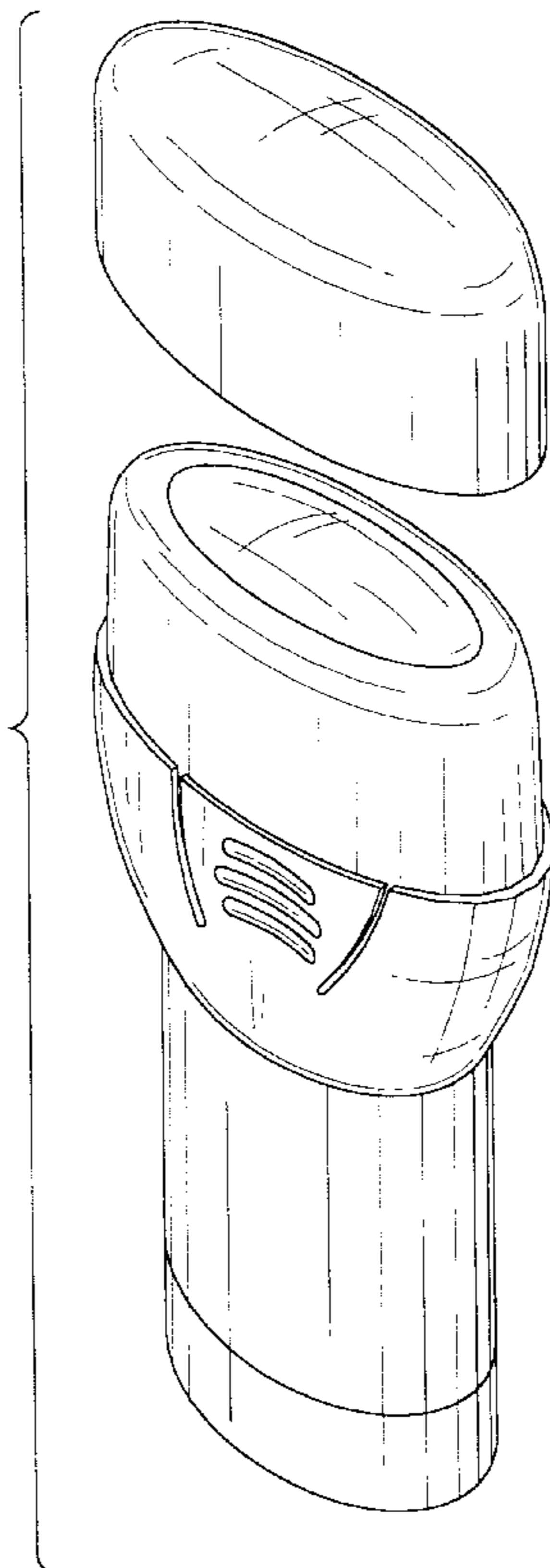
FIG. 7 is a top plan view of the surface of the dispenser without the cap, shown separately for clarity of illustration;

FIG. 8 is a top plan view of the surface of the dispenser without the cap of a second embodiment of FIG. 7, shown separately for clarity of illustration; and,

FIG. 9 is a top plan view of the surface of the dispenser without the cap of a third embodiment of FIG. 7, shown separately for clarity of illustration.

The remaining views of the second and third embodiments are identical to the first embodiment except for the surface of the dispenser.

1 Claim, 4 Drawing Sheets



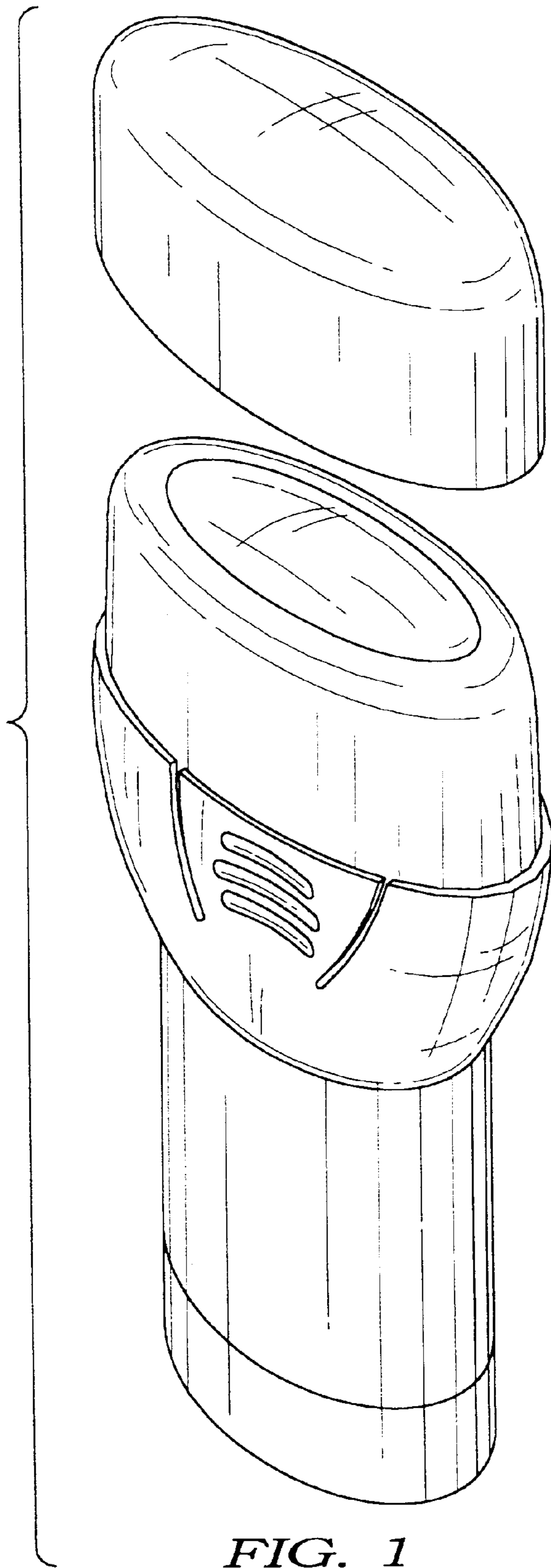
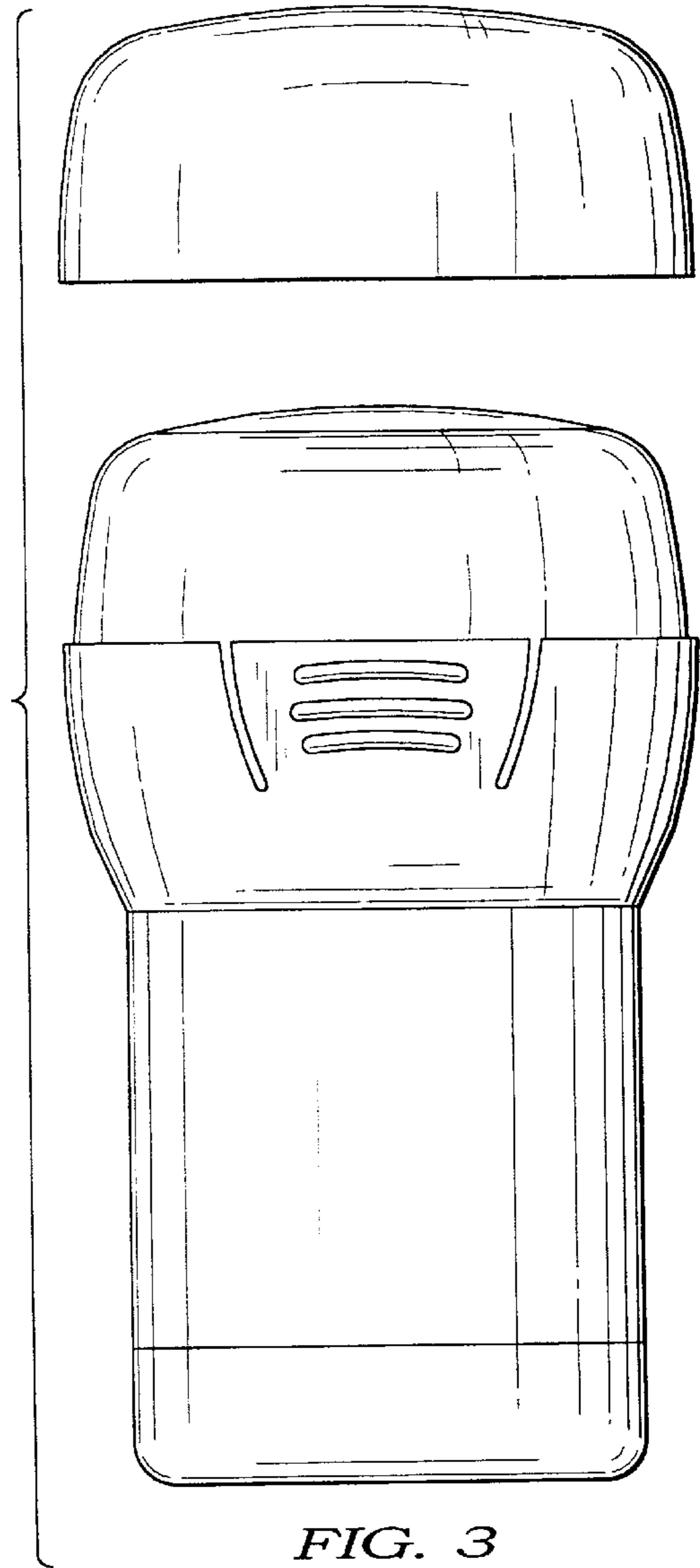
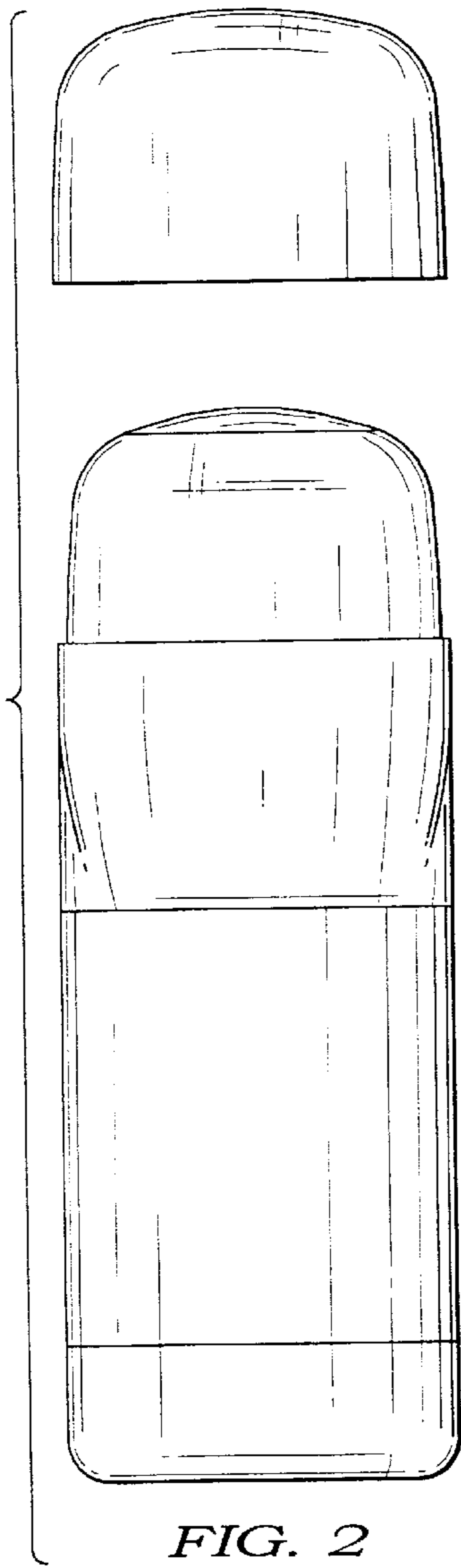


FIG. 1



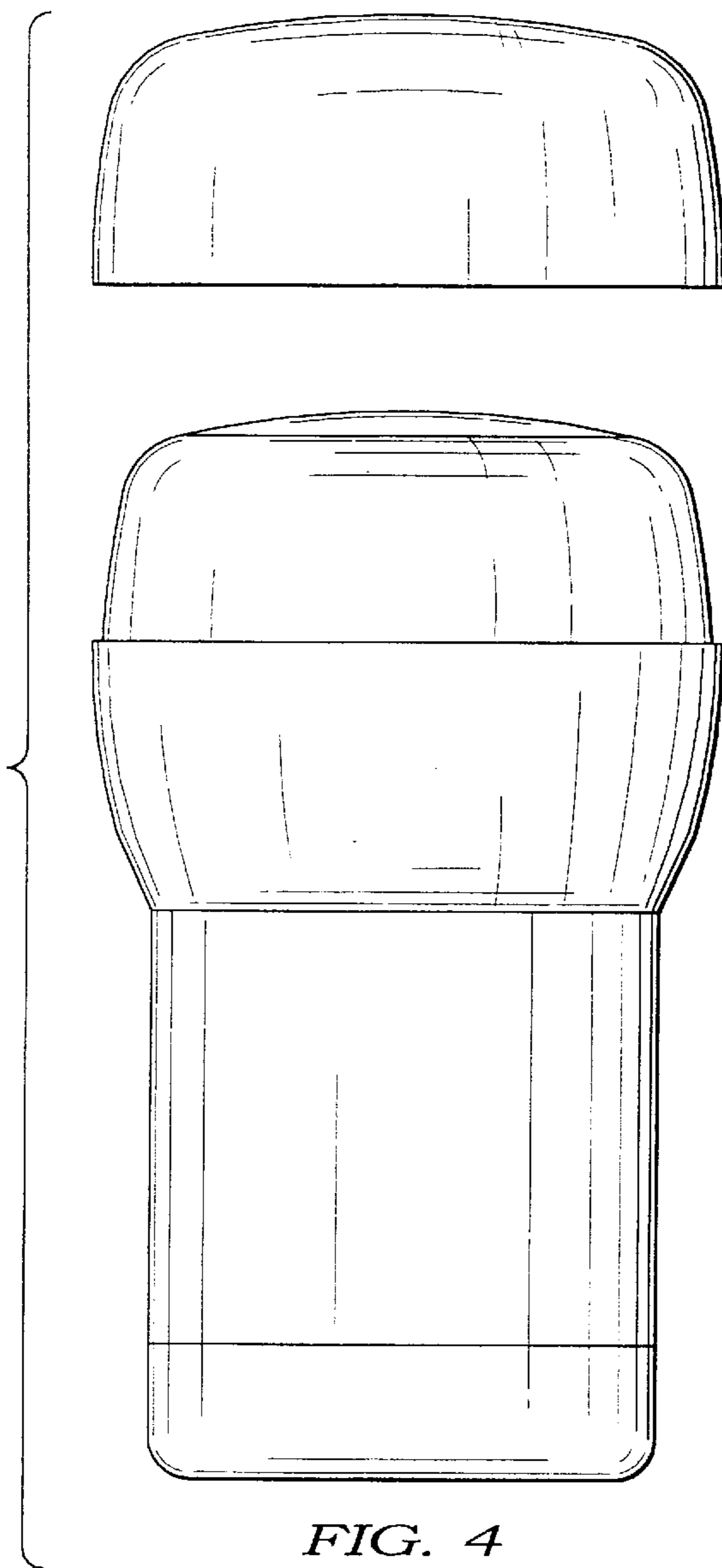


FIG. 4

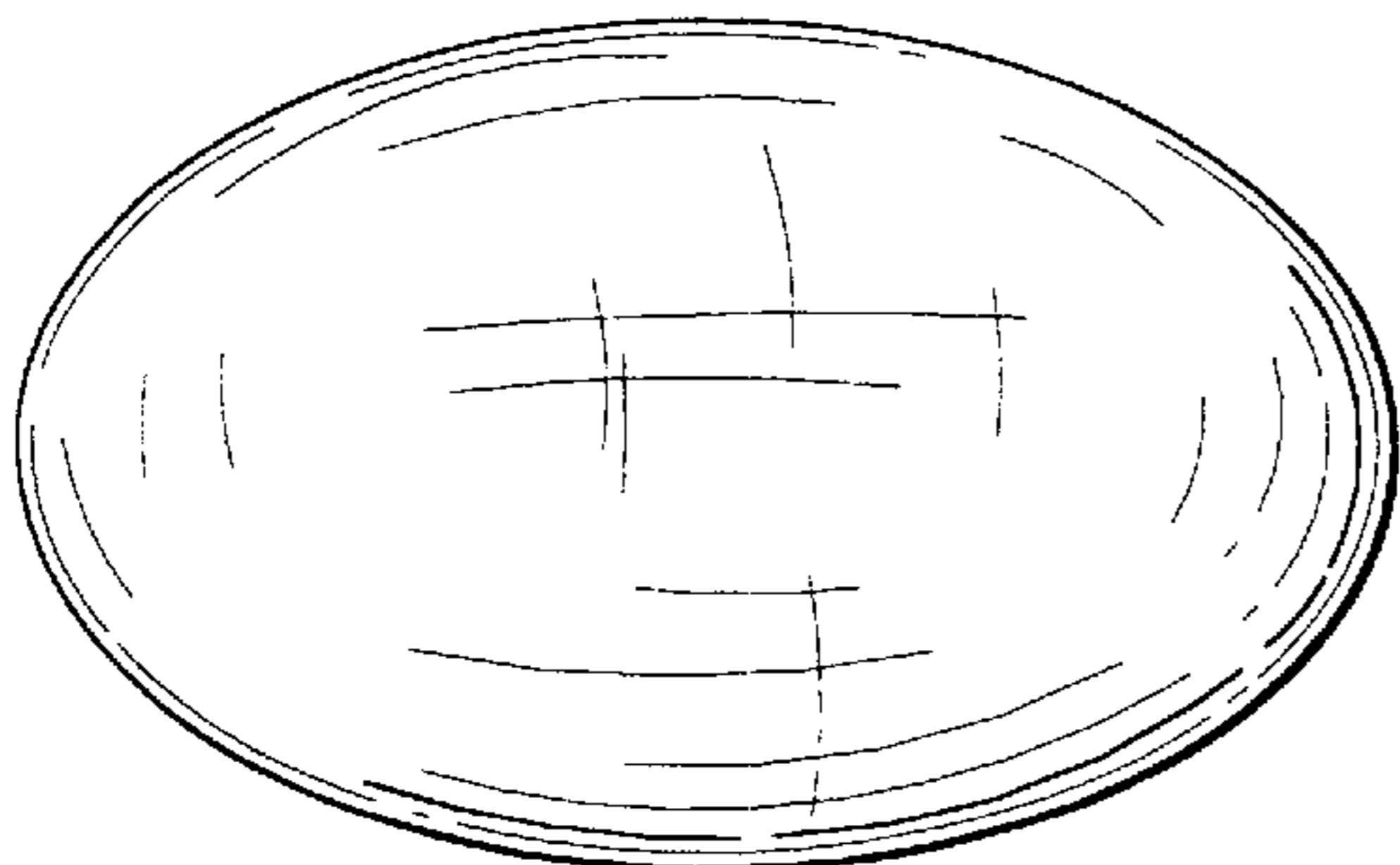


FIG. 5

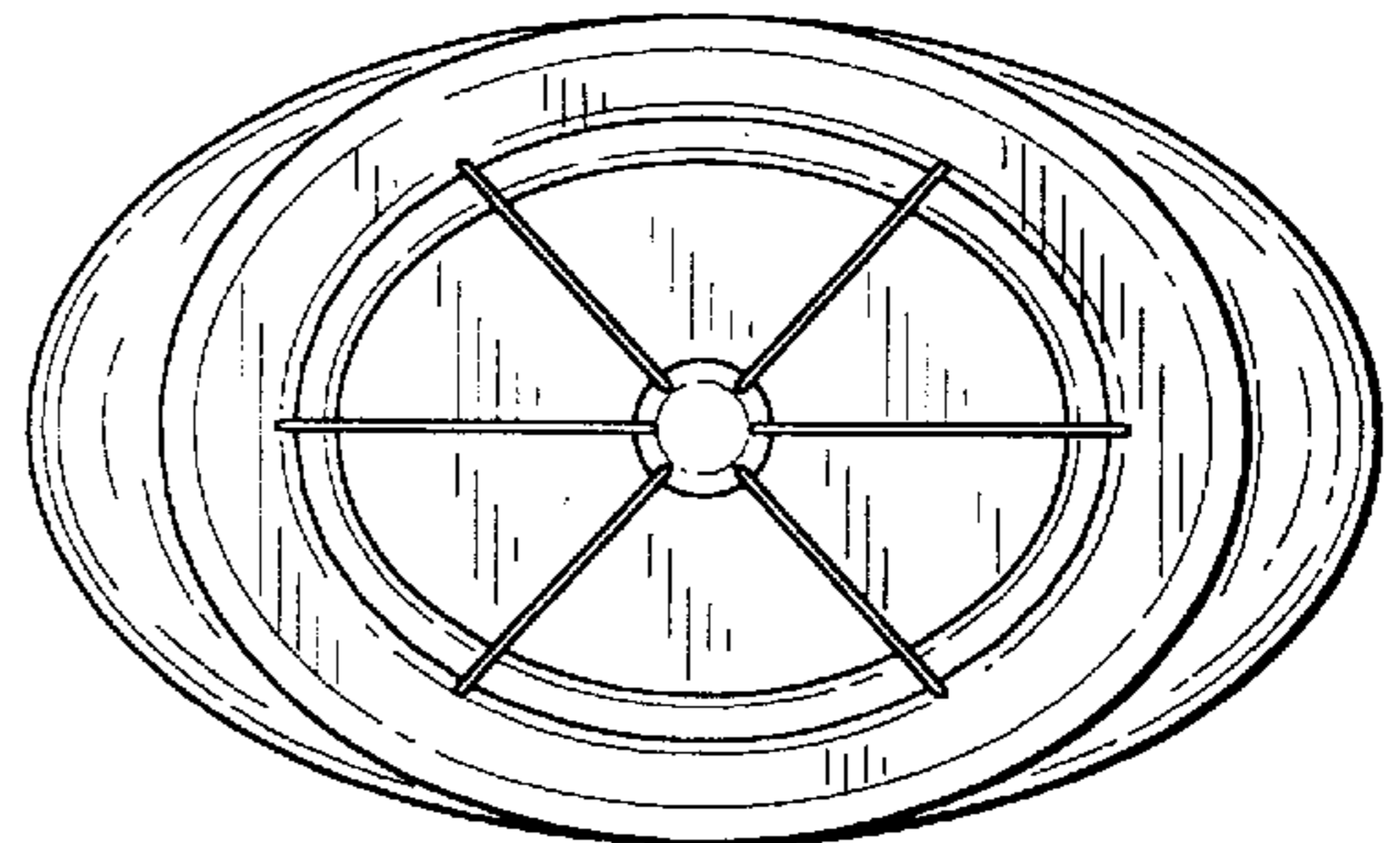


FIG. 6

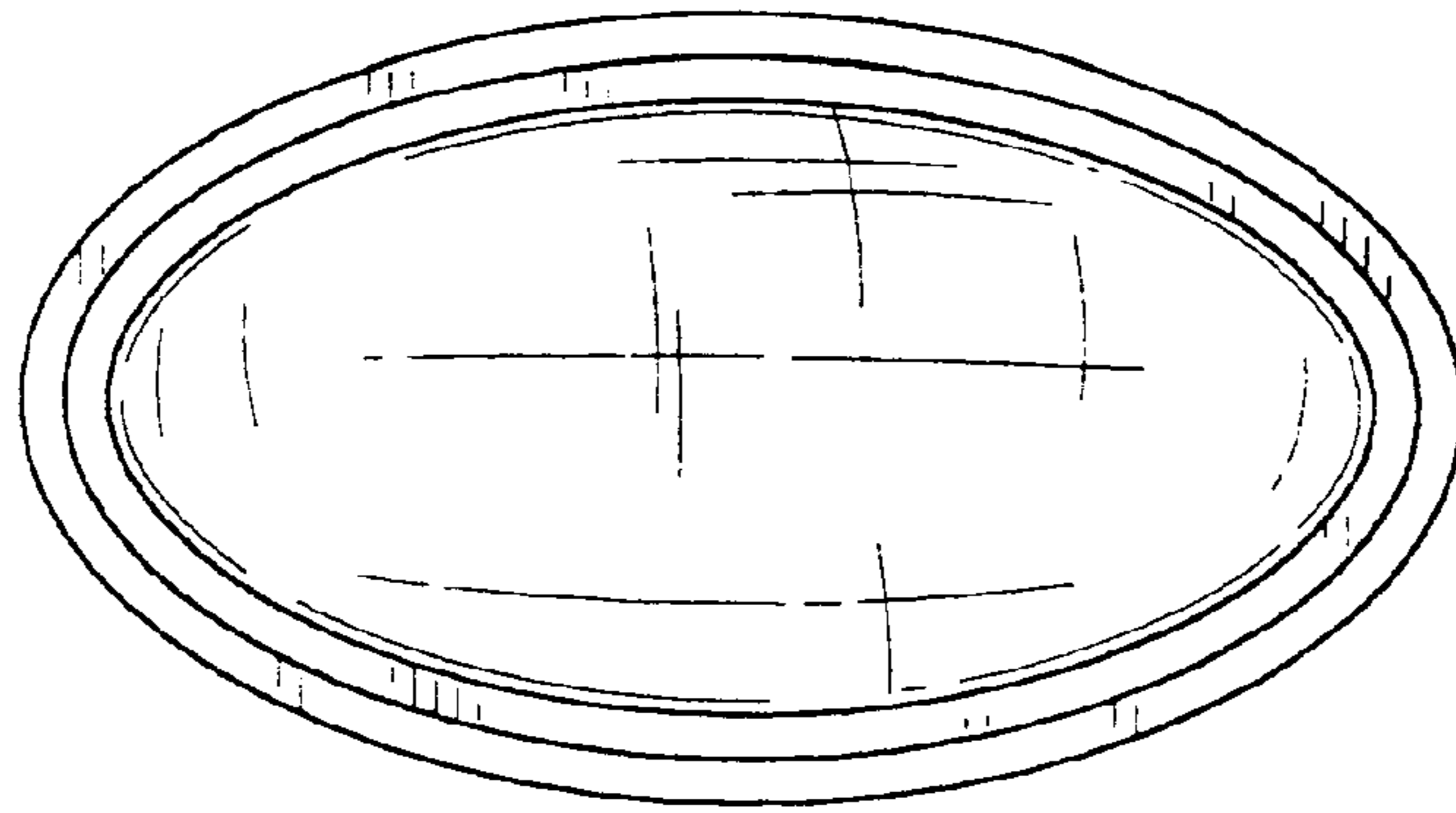


FIG. 7

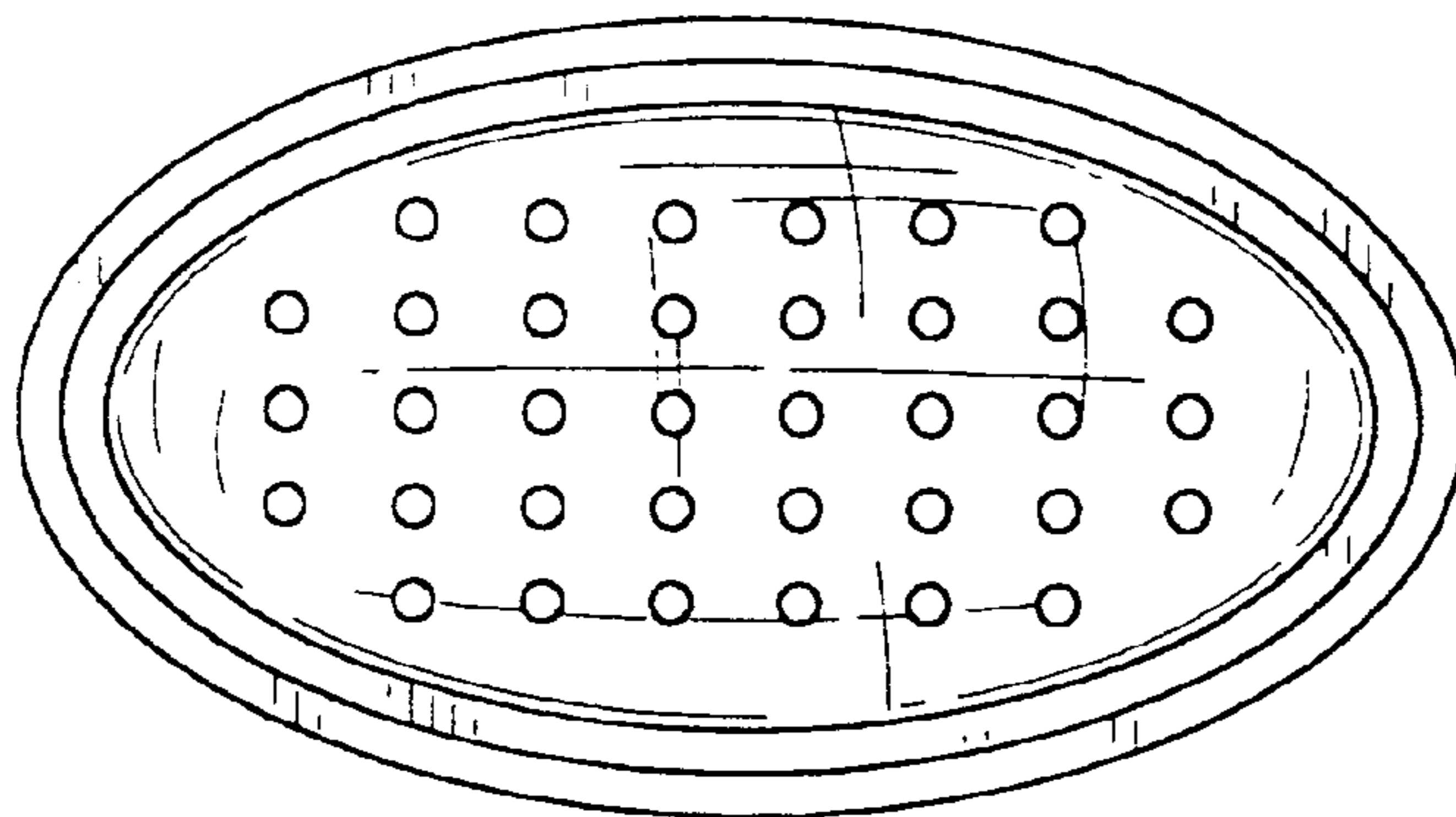


FIG. 8

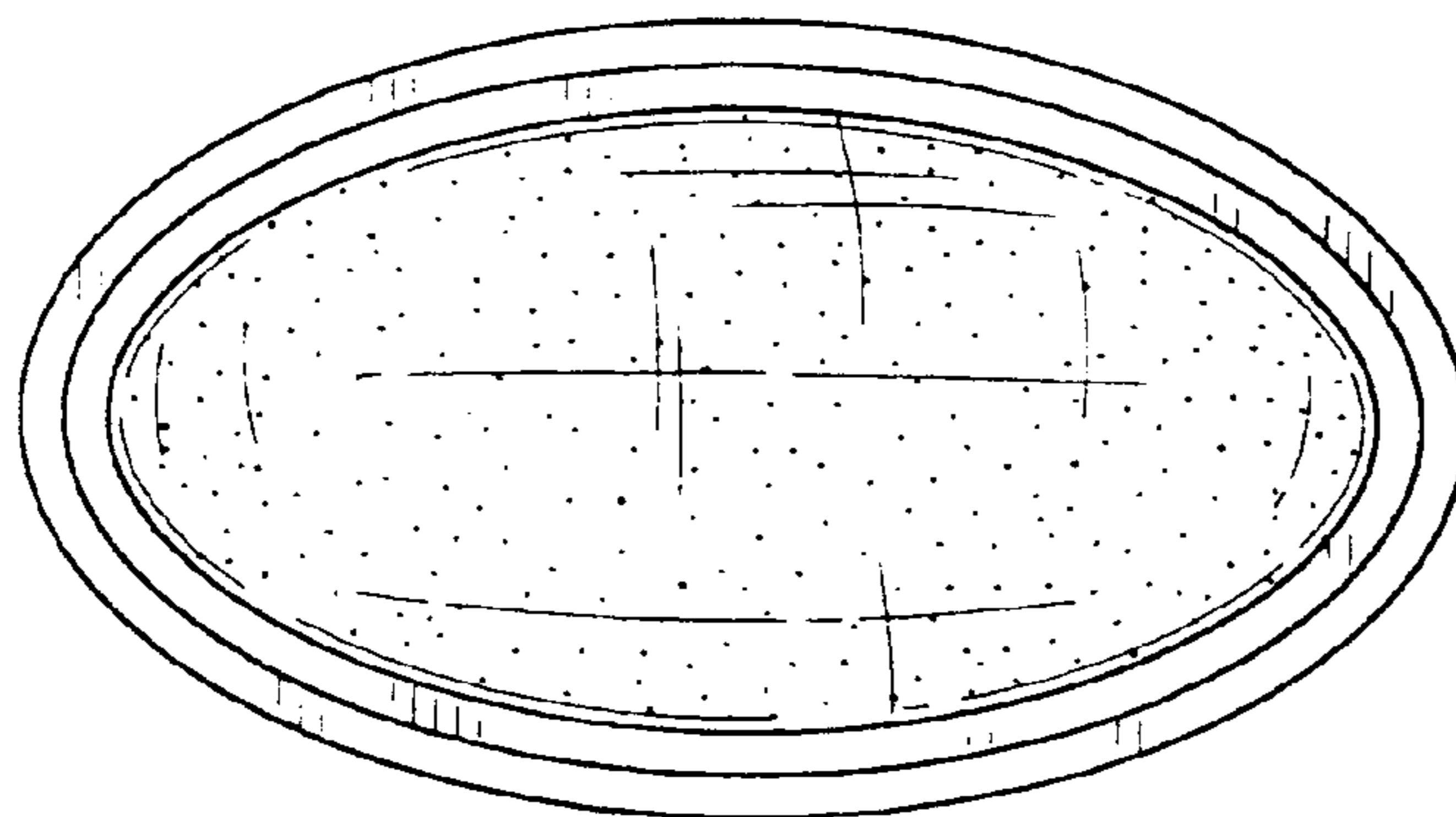


FIG. 9