



US00D426765S

United States Patent [19]

[11] Patent Number: Des. 426,765

Aoki

[45] Date of Patent: ** Jun. 20, 2000

[54] **MAGNETIC FASTENER**

[75] Inventor: **Yoshihiro Aoki**, Tokyo, Japan

[73] Assignee: **Application Art Laboratories, Co., Ltd.**, Tokyo, Japan

[**] Term: **14 Years**

[21] Appl. No.: **29/082,678**

[22] Filed: **Jan. 2, 1998**

[30] **Foreign Application Priority Data**

Jul. 4, 1997	[JP]	Japan	9-60561
Jul. 4, 1997	[JP]	Japan	9-60562
Jul. 4, 1997	[JP]	Japan	9-60563
Jul. 4, 1997	[JP]	Japan	9-60564
Jul. 4, 1997	[JP]	Japan	9-60565
Jul. 4, 1997	[JP]	Japan	9-60566
Jul. 4, 1997	[JP]	Japan	9-60567

[51] **LOC (7) Cl.** **02-07**

[52] **U.S. Cl.** **D8/382; D11/231; D11/220**

[58] **Field of Search** **D8/331-332, 382, D8/349, 354, 373; D11/200, 220, 231; 24/201, 303**

[56] **References Cited**

U.S. PATENT DOCUMENTS

D. 289,137	4/1987	Aoki	D8/331
D. 303,641	9/1989	Aoki	D11/220
D. 360,391	7/1995	Aoki	D11/220
5,933,926	8/1999	Reiter	24/303

Primary Examiner—Ralf Seifert
Attorney, Agent, or Firm—Wenderoth, Lind & Ponack, L.L.P.

[57] **CLAIM**

The ornamental design for a magnetic fastener, as shown and described.

DESCRIPTION

FIG. 1 is a front elevational view of a magnetic fastener showing my new design, the rear elevational view being identical;

FIG. 2 is a left side elevational view, the right side elevational view being identical;

FIG. 3 is a top plan view;

FIG. 4 is a bottom plan view;

FIG. 5 is a front elevational view of the front member of FIG. 1, shown with the rear member removed, the rear elevational view being identical;

FIG. 6 is a left side elevational view of FIG. 5, the right side elevational view being identical;

FIG. 7 is a top plan view of FIG. 5;

FIG. 8 is a bottom plan view of FIG. 5;

FIG. 9 is a front elevational view of the rear member of FIG. 1, shown with the front member removed, the rear elevational view being identical;

FIG. 10 is a left side elevational view of FIG. 9, the right side elevational view being identical;

FIG. 11 is a top plan view of FIG. 9;

FIG. 12 is a bottom plan view of FIG. 9;

FIG. 13 is a front elevational view of a magnetic fastener showing a second embodiment of my new design, the rear elevational view being identical;

FIG. 14 is a left side elevational view of FIG. 13, the right side elevational view being identical;

FIG. 15 is a top plan view of FIG. 13;

FIG. 16 is a bottom plan view of FIG. 13;

FIG. 17 is a front elevational view of the front member of FIG. 13, shown with the rear member removed, the rear elevational view being identical;

FIG. 18 is a left side elevational view of FIG. 17, the right side elevational view being identical;

FIG. 19 is a top plan view of FIG. 17;

FIG. 20 is a bottom plan view of FIG. 17;

FIG. 21 is a front elevational view of the rear member of FIG. 13, the rear elevational view being identical;

FIG. 22 is a left side elevational view of FIG. 21, the right side elevational view being identical;

FIG. 23 is a top plan view of FIG. 21;

FIG. 24 is a bottom plan view of FIG. 21;

FIG. 25 is a front elevational view of a magnetic fastener showing a third embodiment of my new design, the rear elevational view being identical;

FIG. 26 is a left side elevational view of FIG. 25, the right side elevational view being identical;

FIG. 27 is a top plan view of FIG. 25;

FIG. 28 is a bottom plan view of FIG. 25;

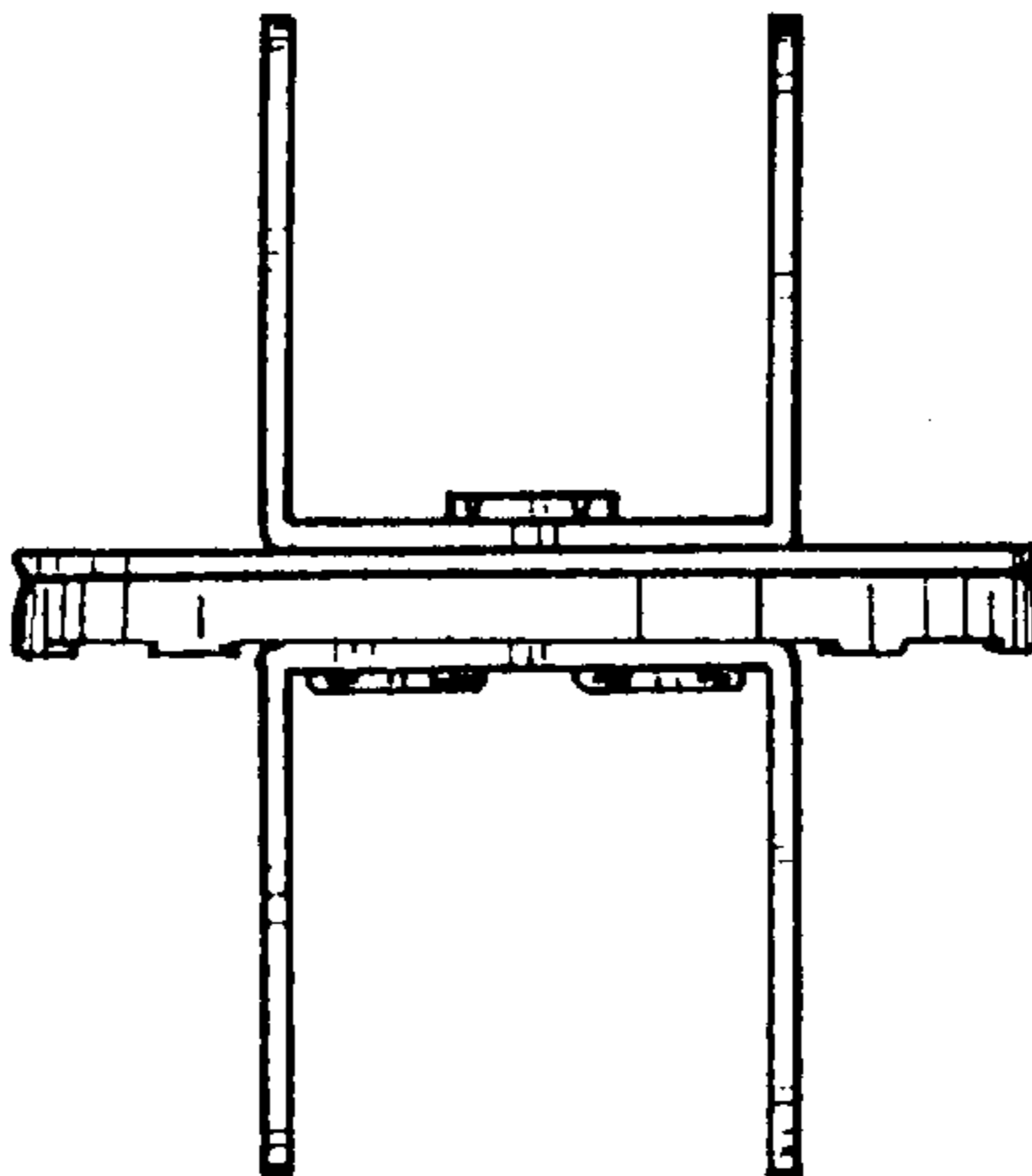


FIG. 29 is a front elevational view of the front member of FIG. 25, shown with the rear member removed, the rear elevational view being identical;

FIG. 30 is a left side elevational view of FIG. 29, the right side elevational view being identical;

FIG. 31 is a top plan view of FIG. 29,

FIG. 32 is a bottom plan view of FIG. 29;

FIG. 33 is a front elevational view of the rear member of FIG. 25, the rear elevational view being identical;

FIG. 34 is a left side elevational view of FIG. 33, the right side elevational view being identical;

FIG. 35 is a top plan view of FIG. 33;

FIG. 36 is a bottom plan view of FIG. 33;

FIG. 37 is a front elevational view of a magnetic fastener showing a fourth embodiment of my new design, the rear elevational view being identical;

FIG. 38 is a left side elevational view of FIG. 37, the right side elevational view being identical;

FIG. 39 is a top plan view of FIG. 37;

FIG. 40 is a bottom plan view of FIG. 37;

FIG. 41 is a front elevational view of the front member of FIG. 37, shown with the rear member removed, the rear elevational view being identical;

FIG. 42 is a left side elevational view of FIG. 41, the right side elevational view being identical;

FIG. 43 is a top plan view of FIG. 41;

FIG. 44 is a bottom plan view of FIG. 41;

FIG. 45 is a front elevational view of the rear member of FIG. 37, shown with the front member removed, the rear elevational view being identical;

FIG. 46 is a left side elevational view of FIG. 45, the right side elevational view being identical;

FIG. 47 is a top plan view of FIG. 45; and,

FIG. 48 is a bottom plan view of FIG. 45.

1 Claim, 12 Drawing Sheets

FIG. 1

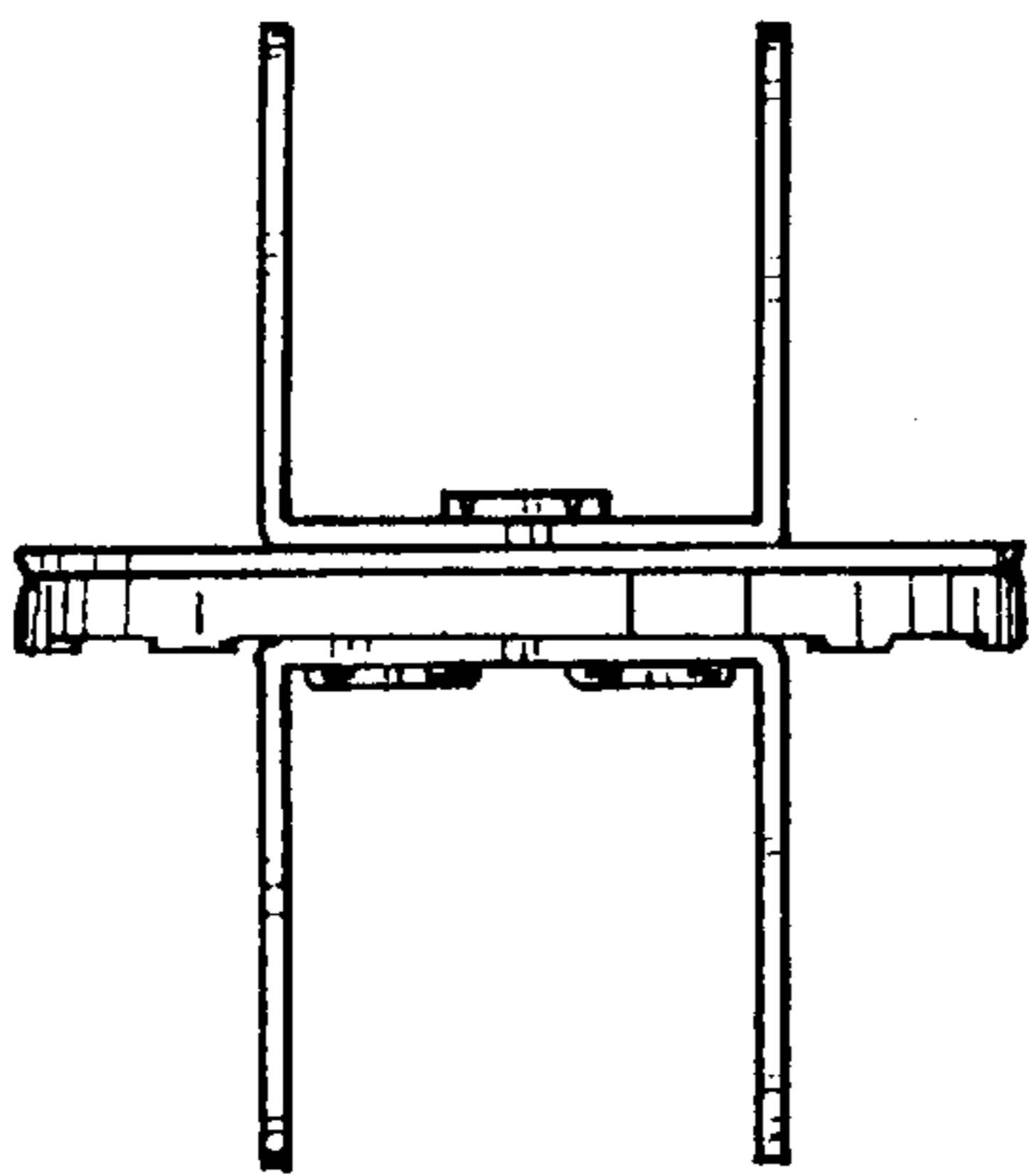


FIG. 2

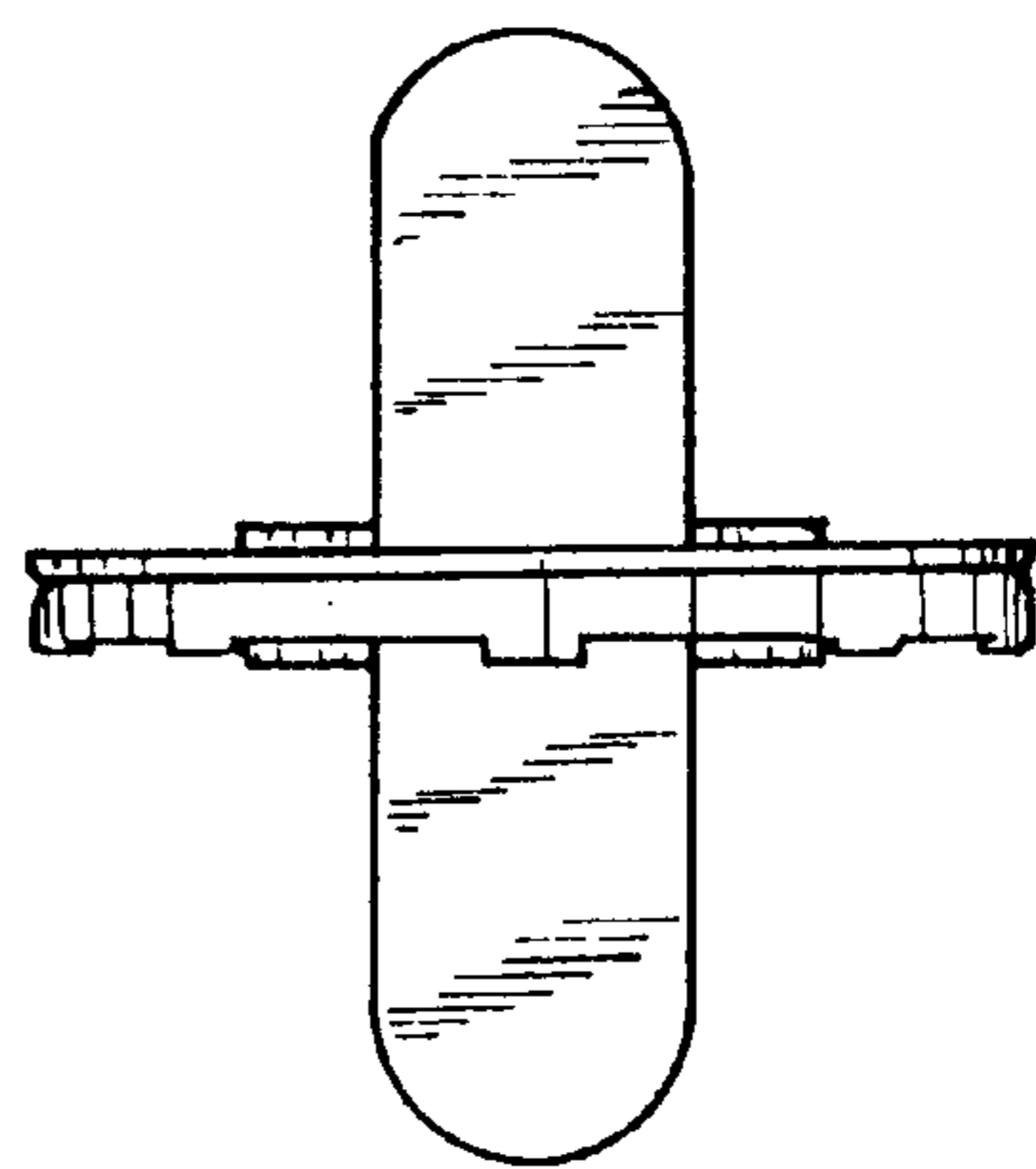


FIG. 3

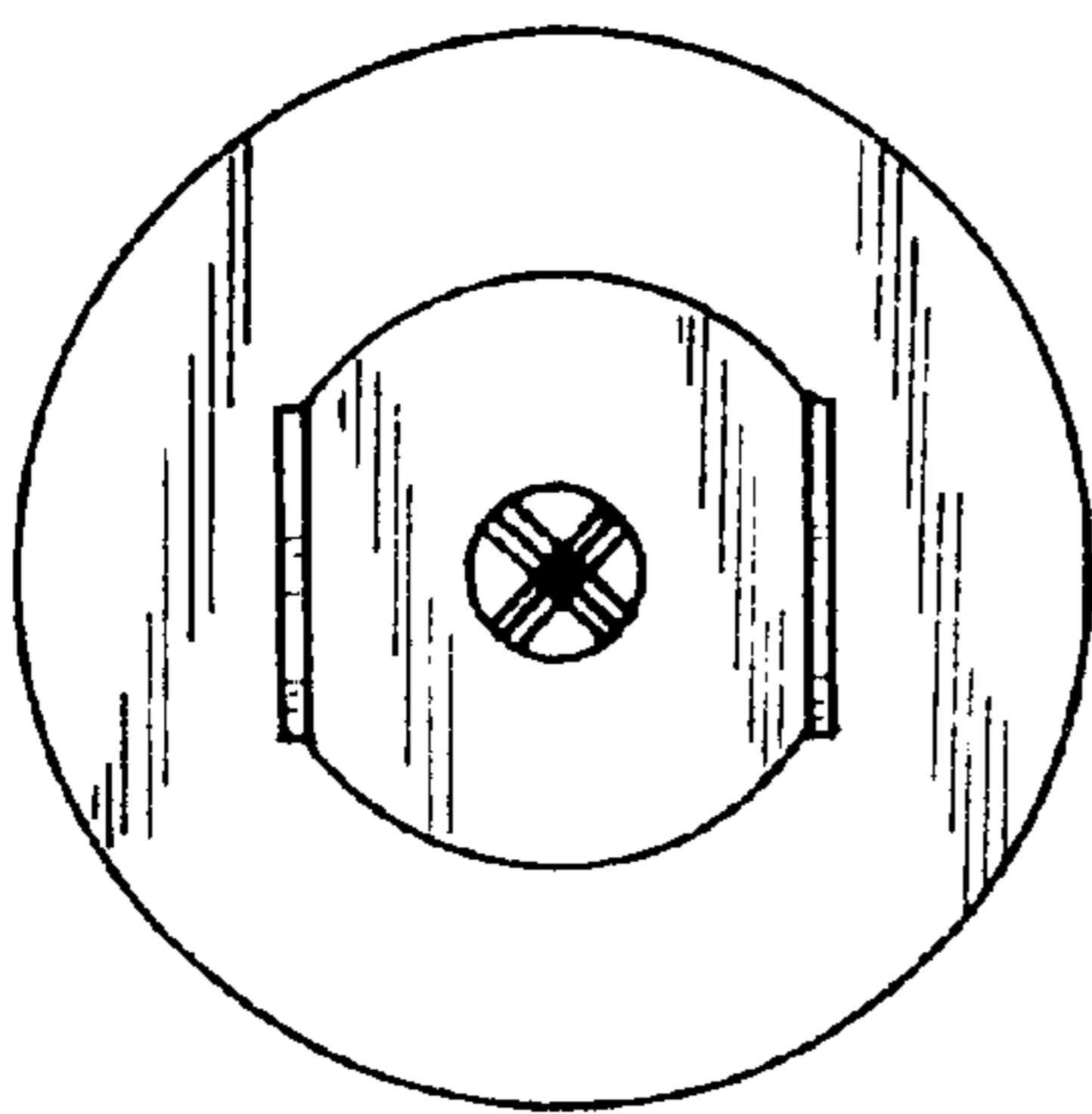


FIG. 4

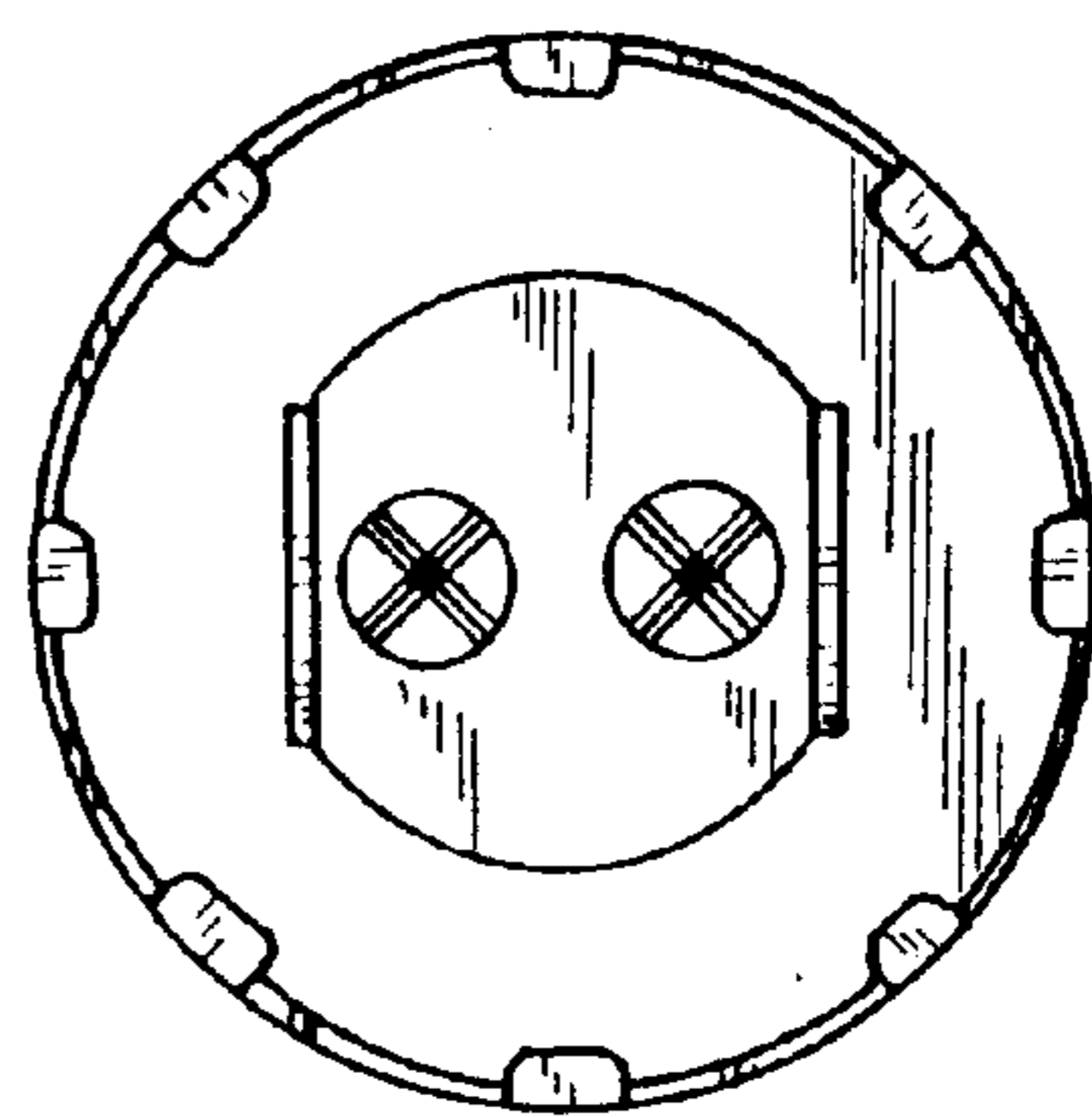


FIG. 5

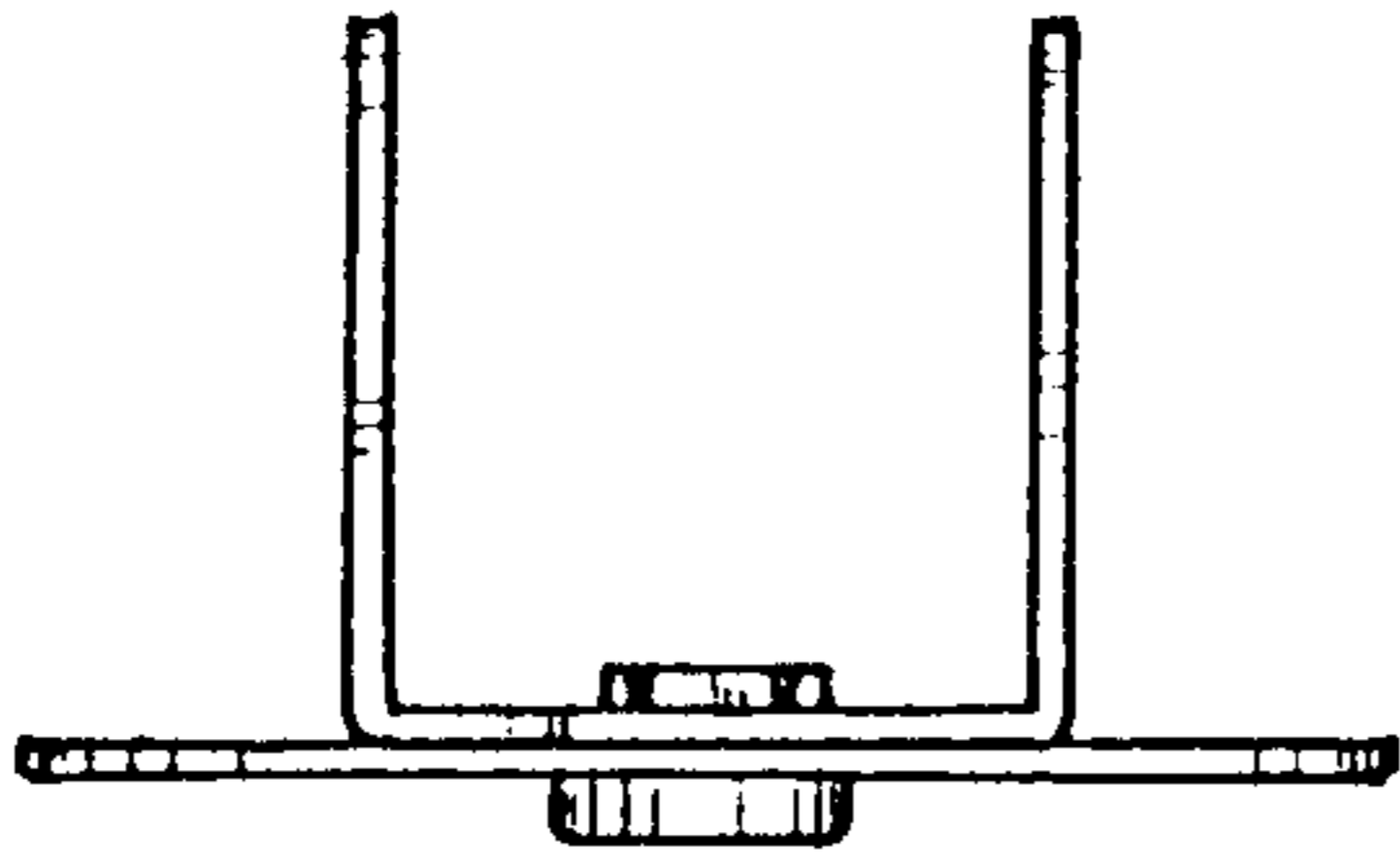


FIG. 6

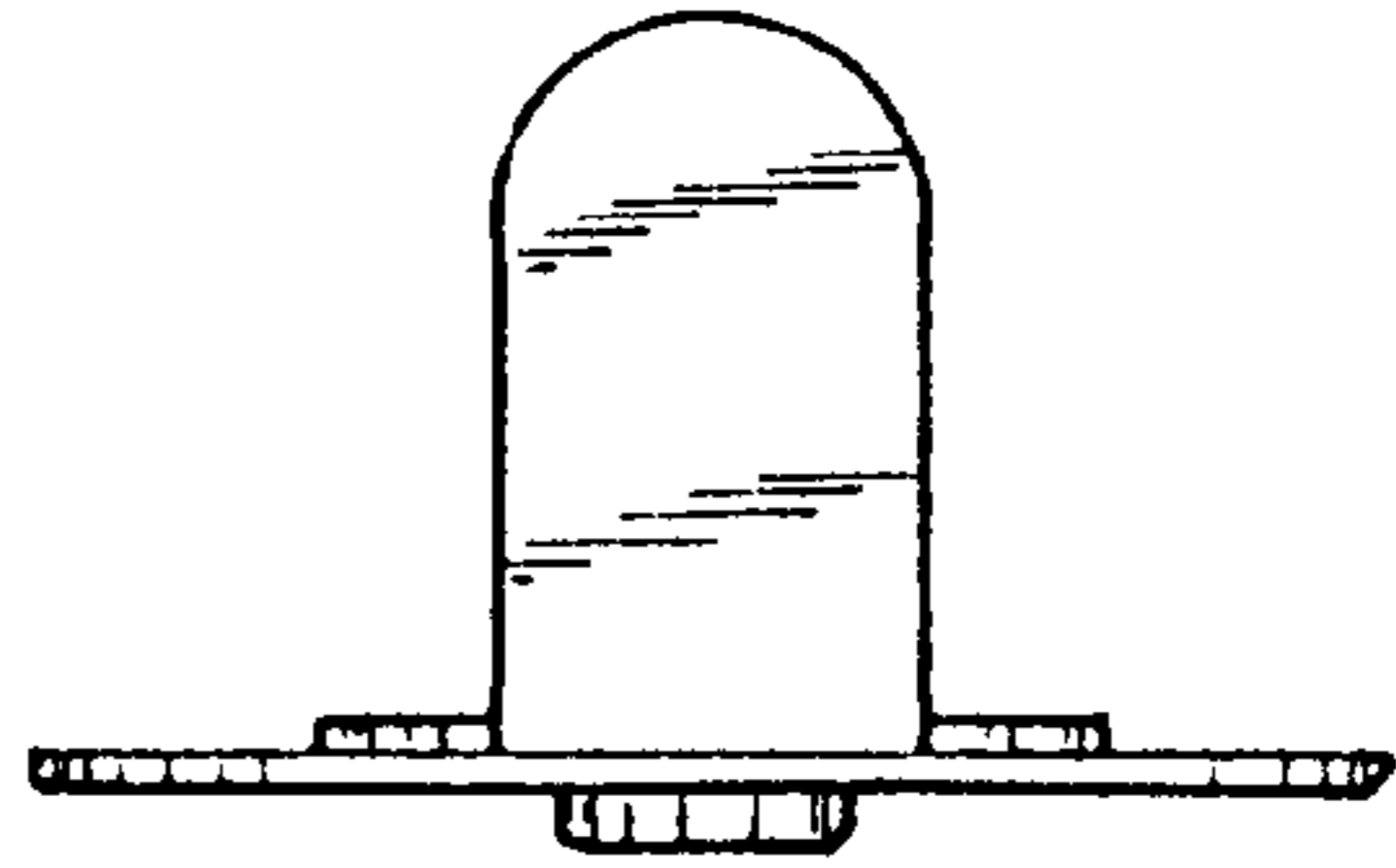


FIG. 7

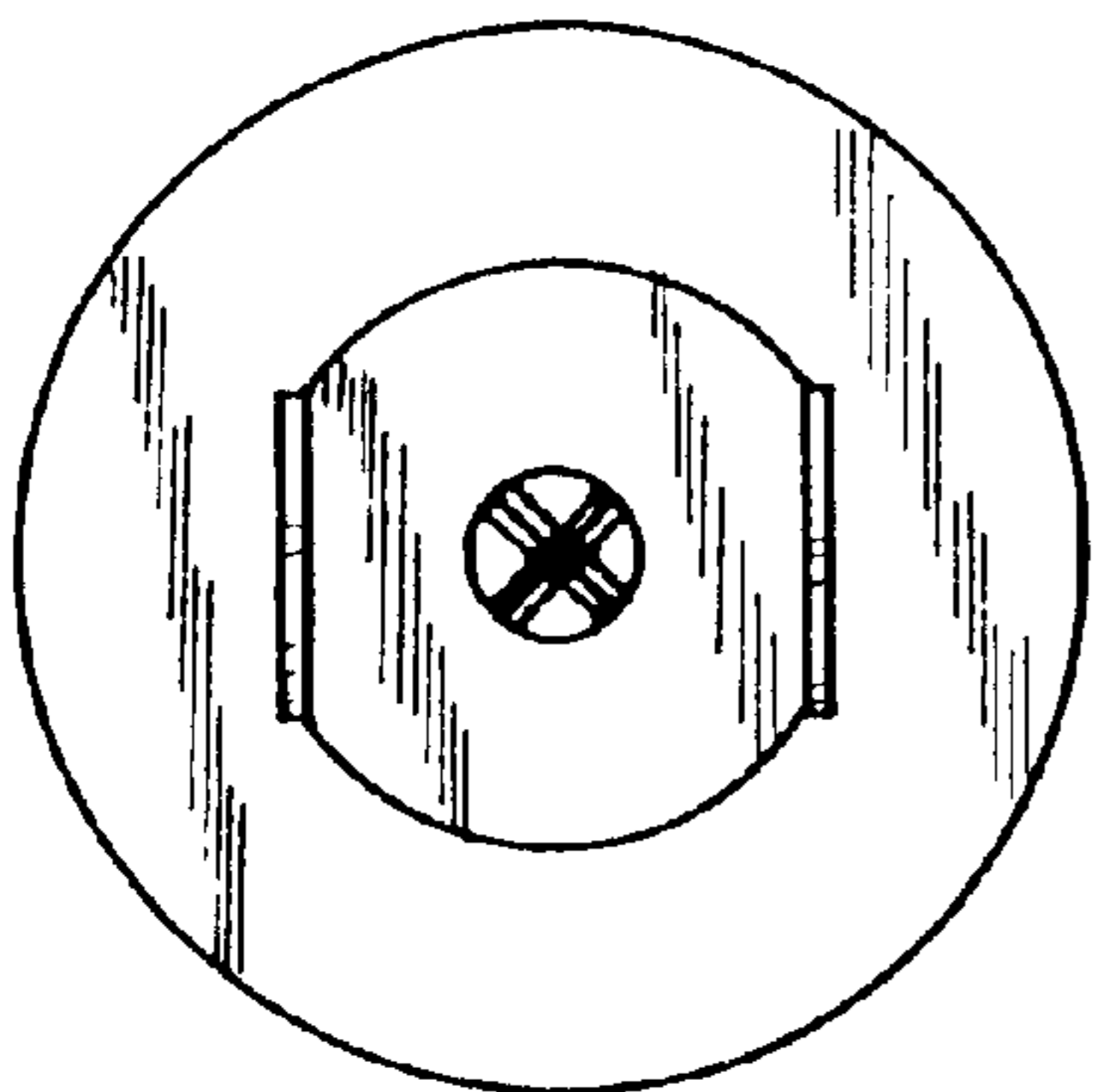


FIG. 8

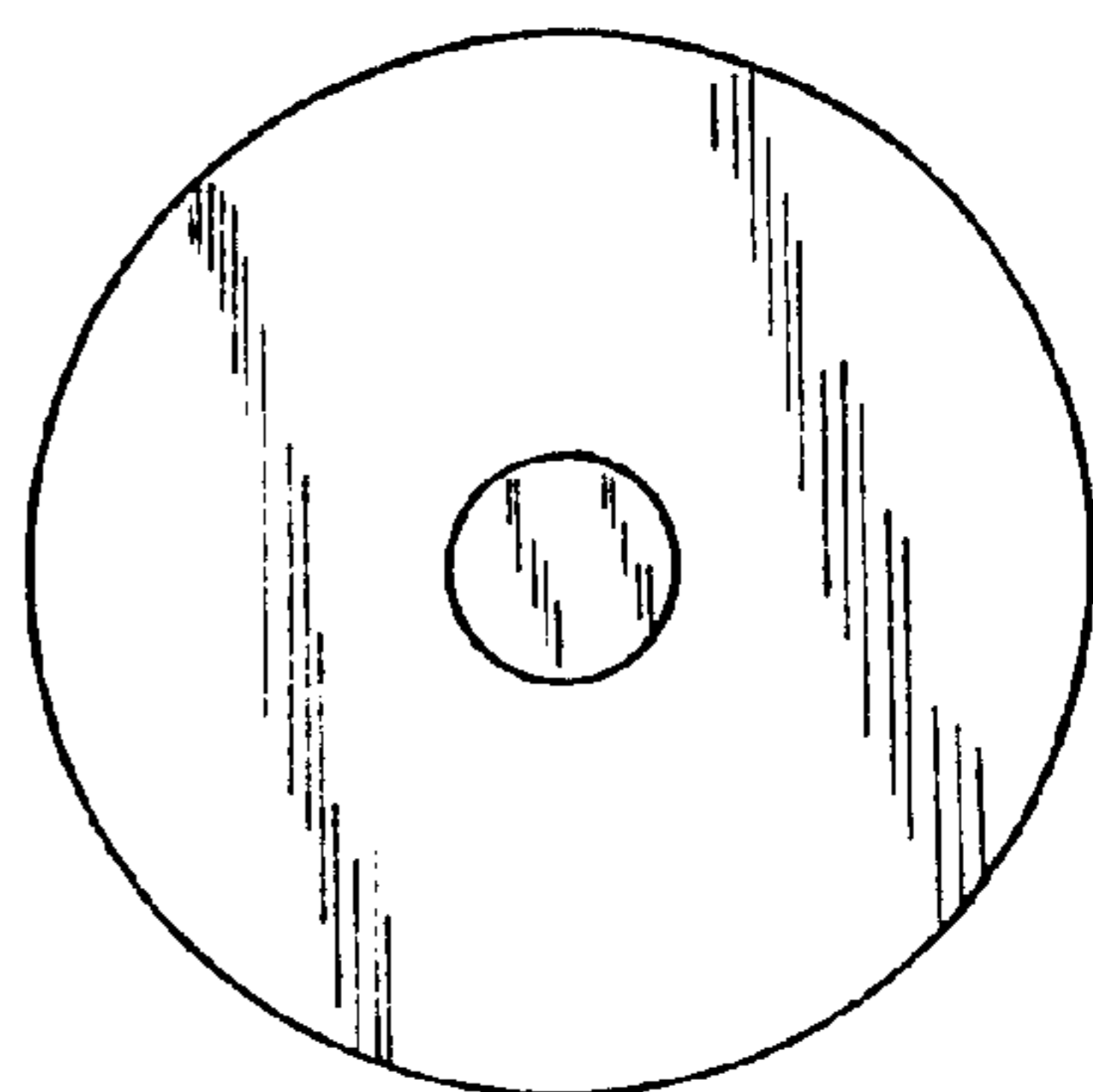


FIG. 9

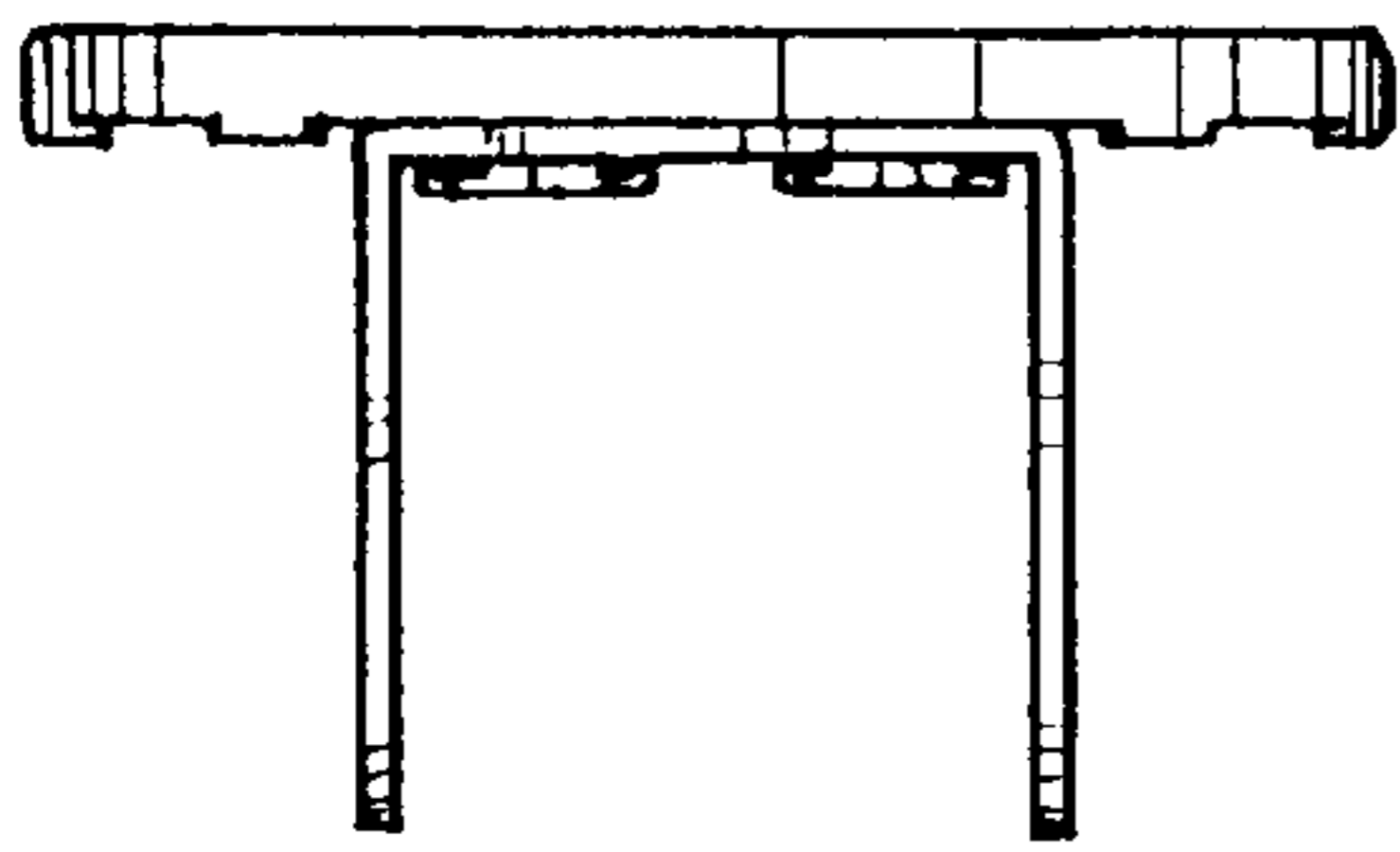


FIG. 10

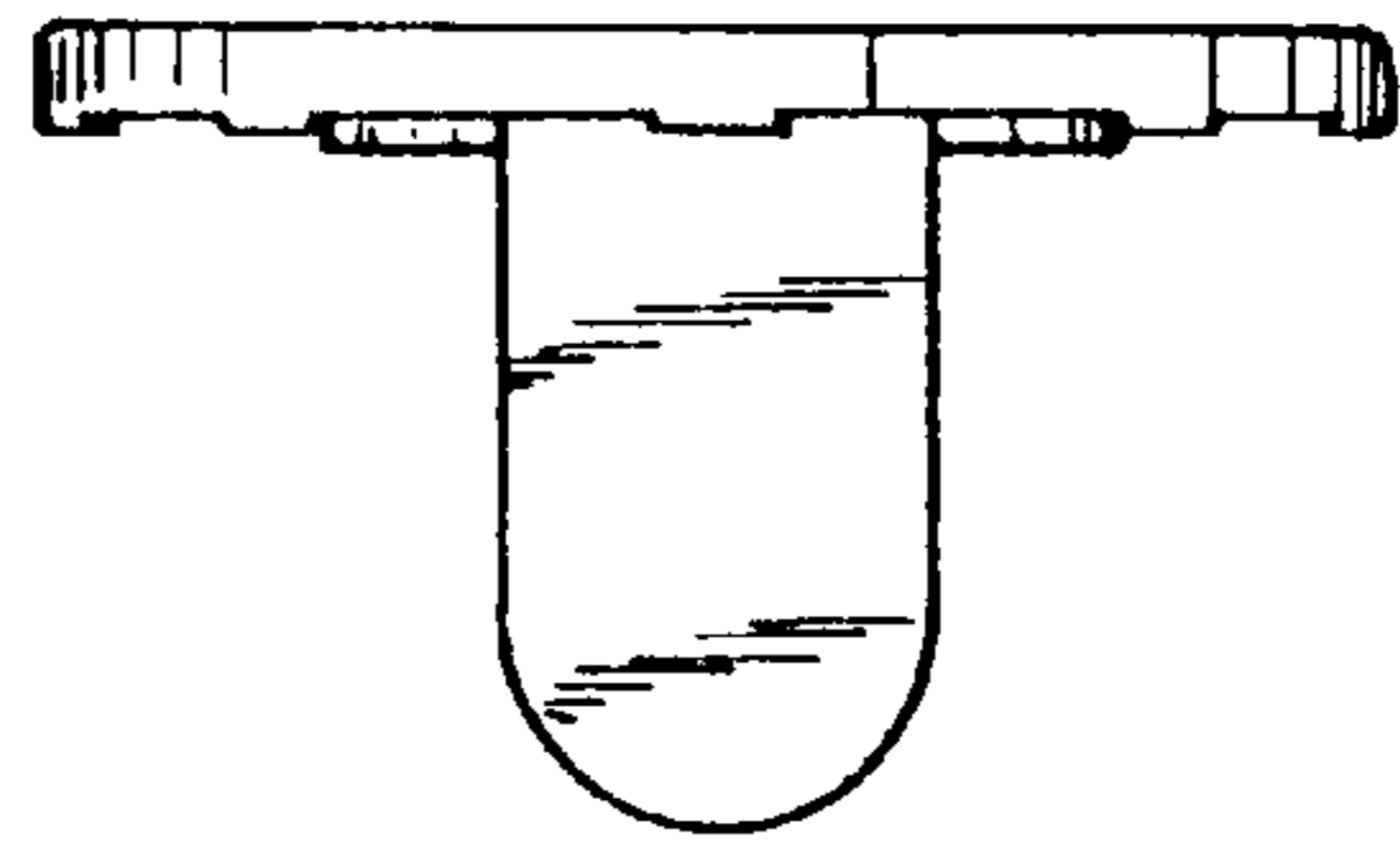


FIG. 11

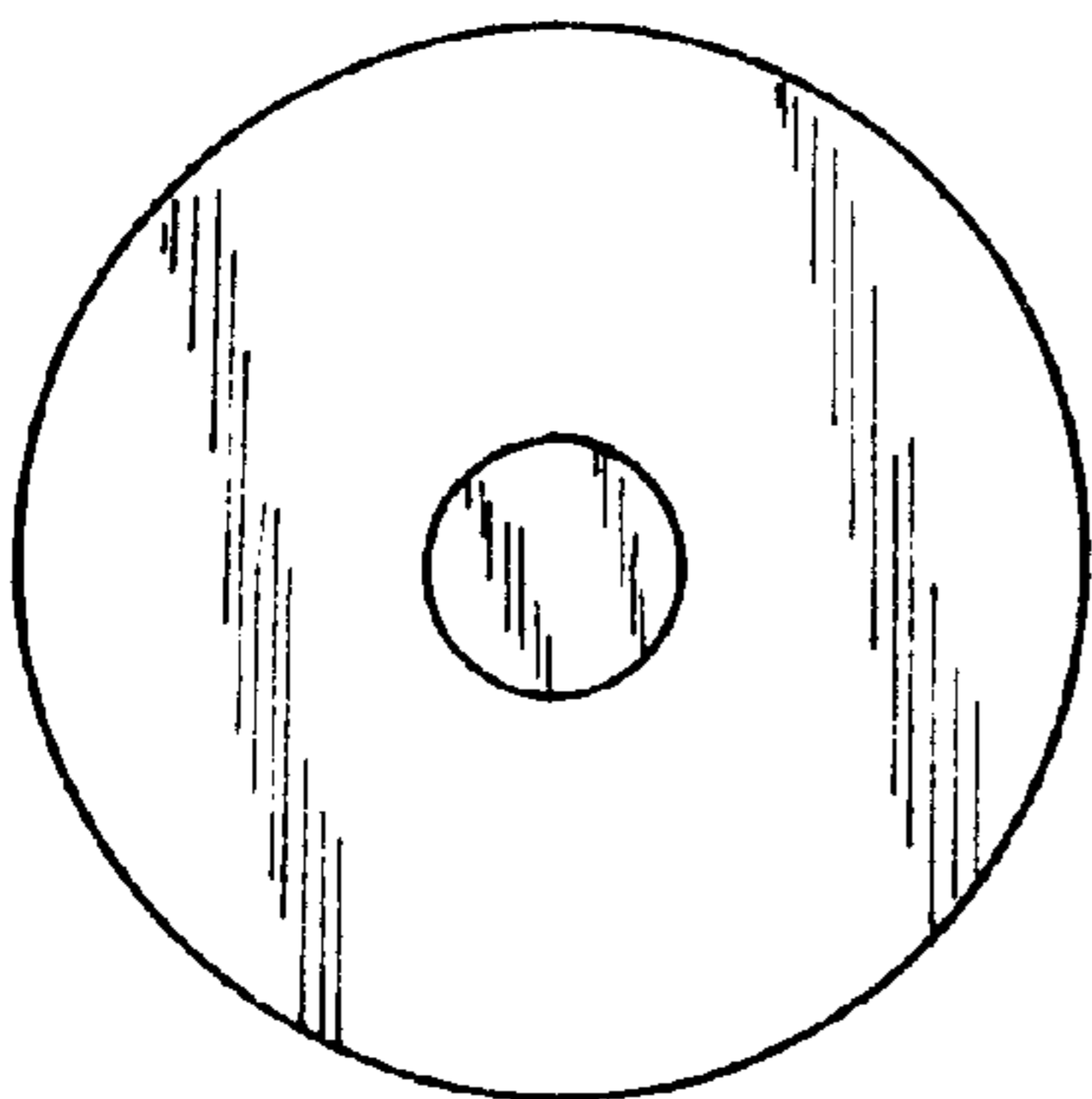


FIG. 12

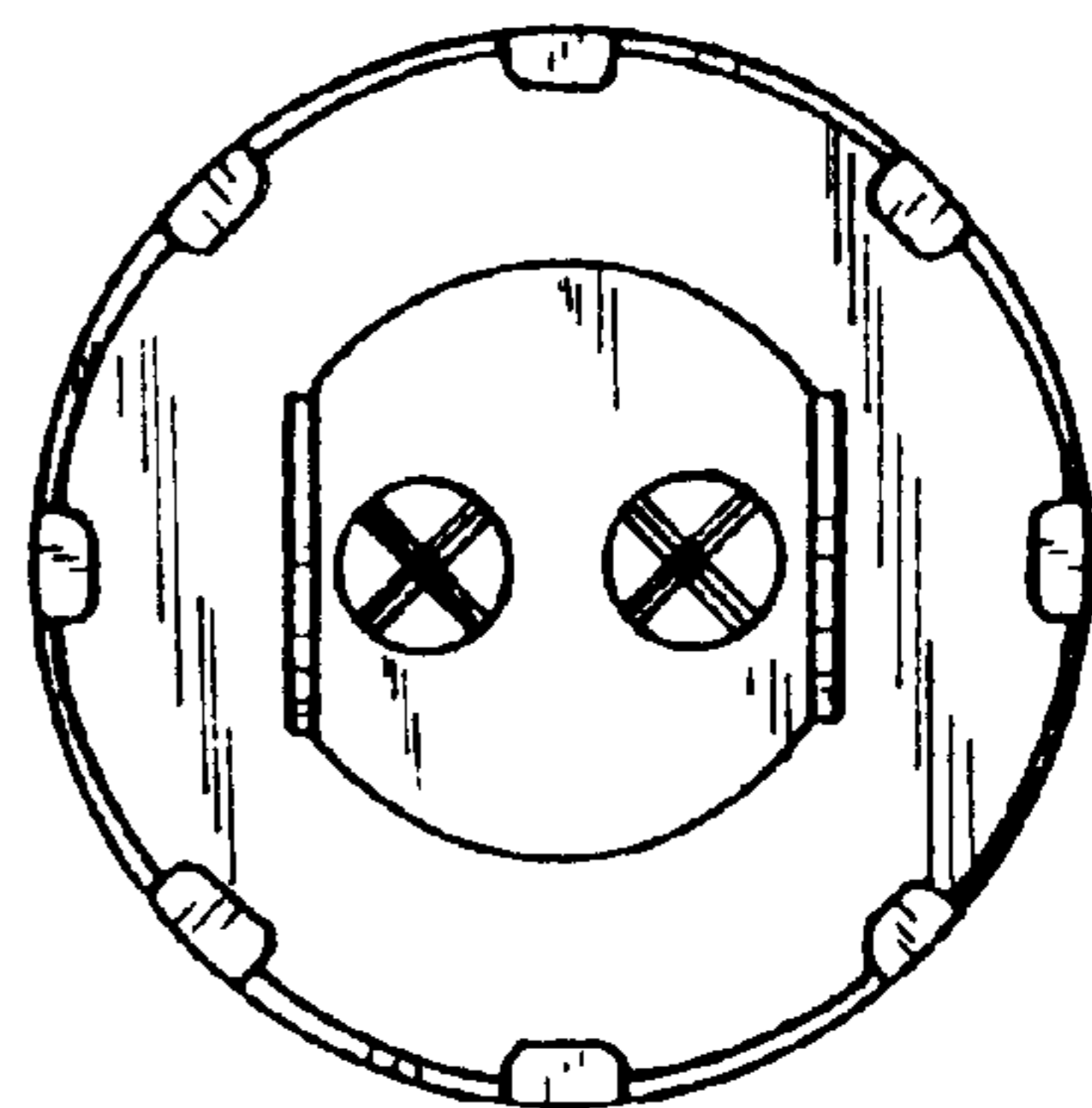


FIG. 13

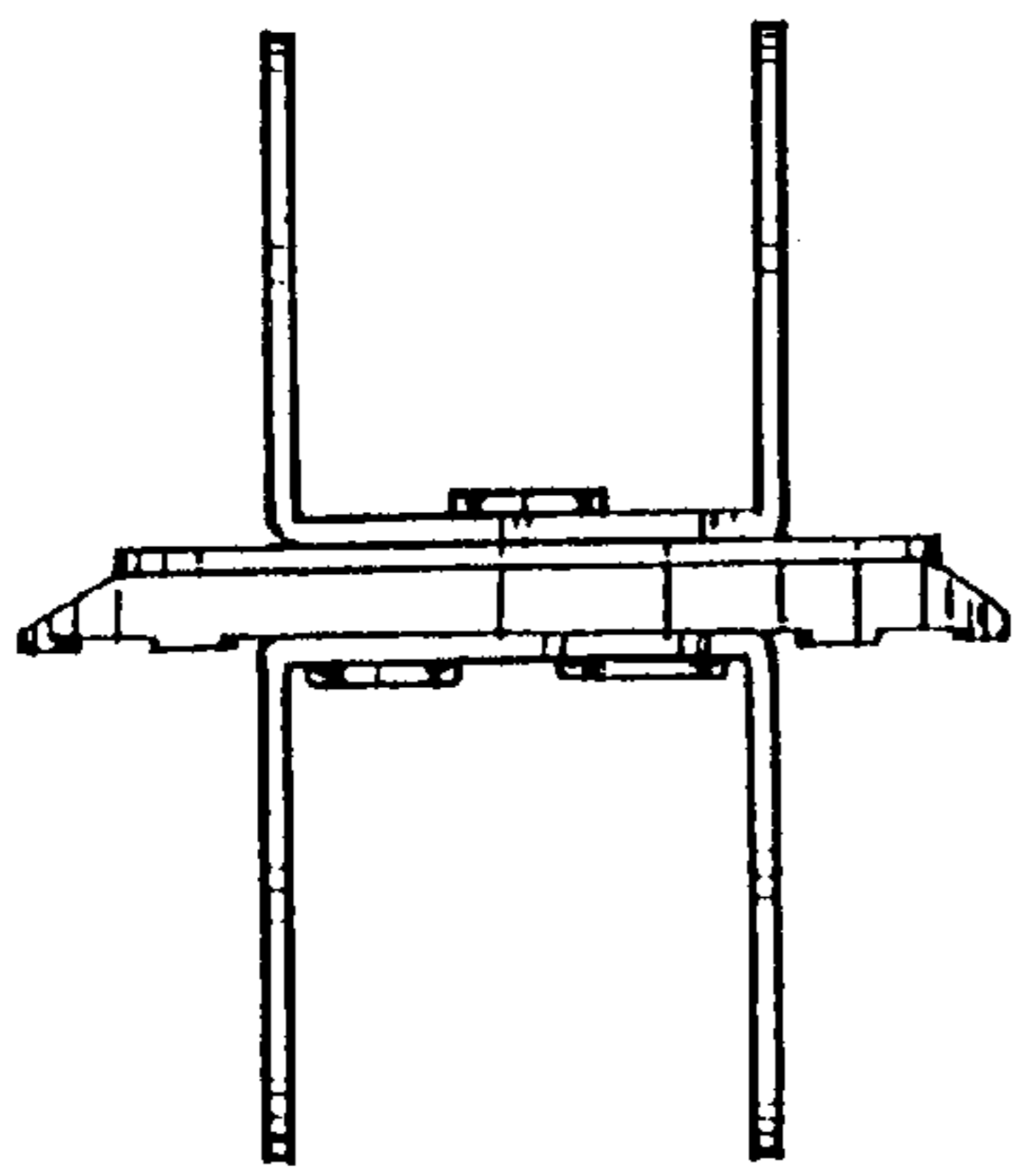


FIG. 14

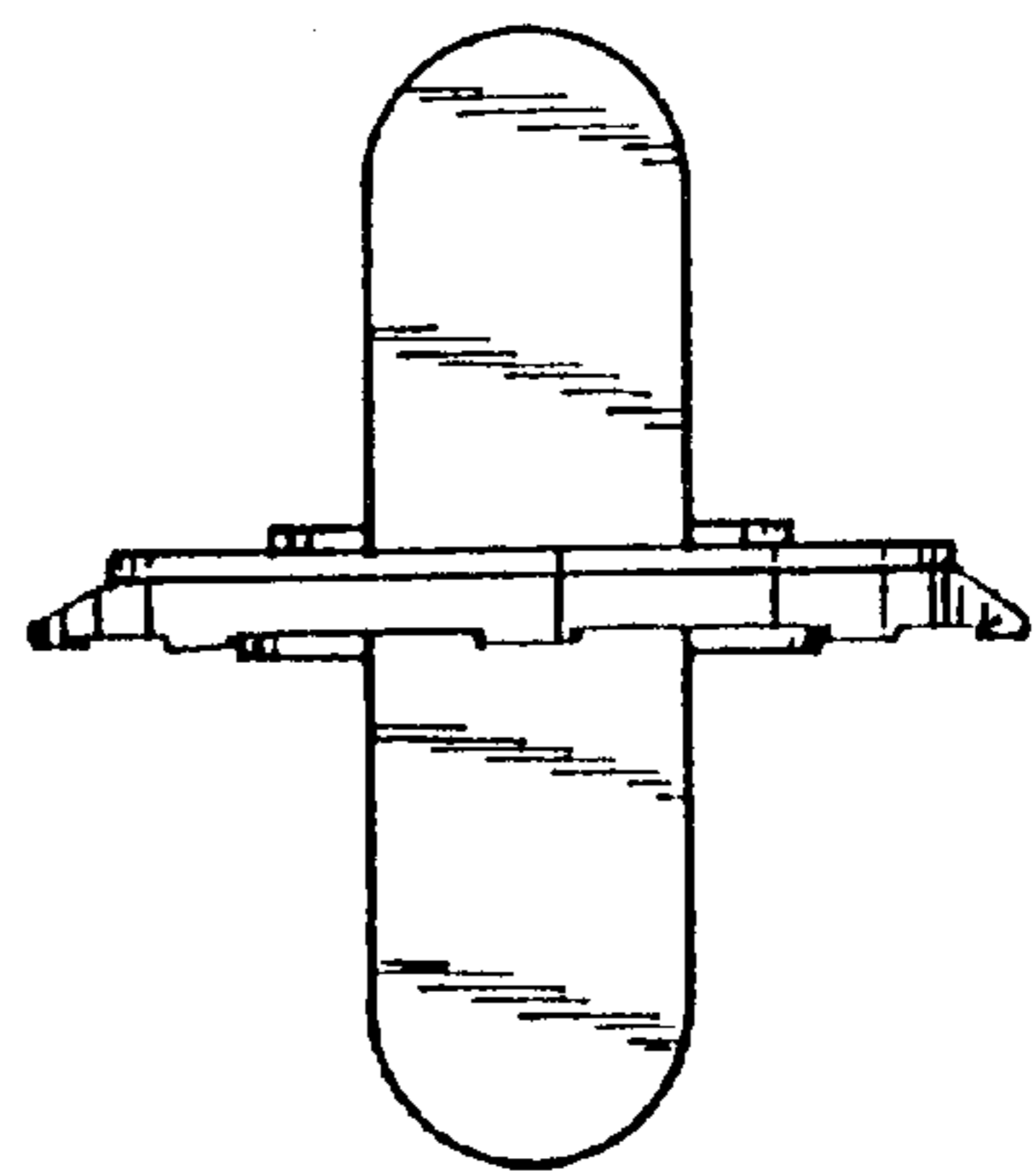


FIG. 15

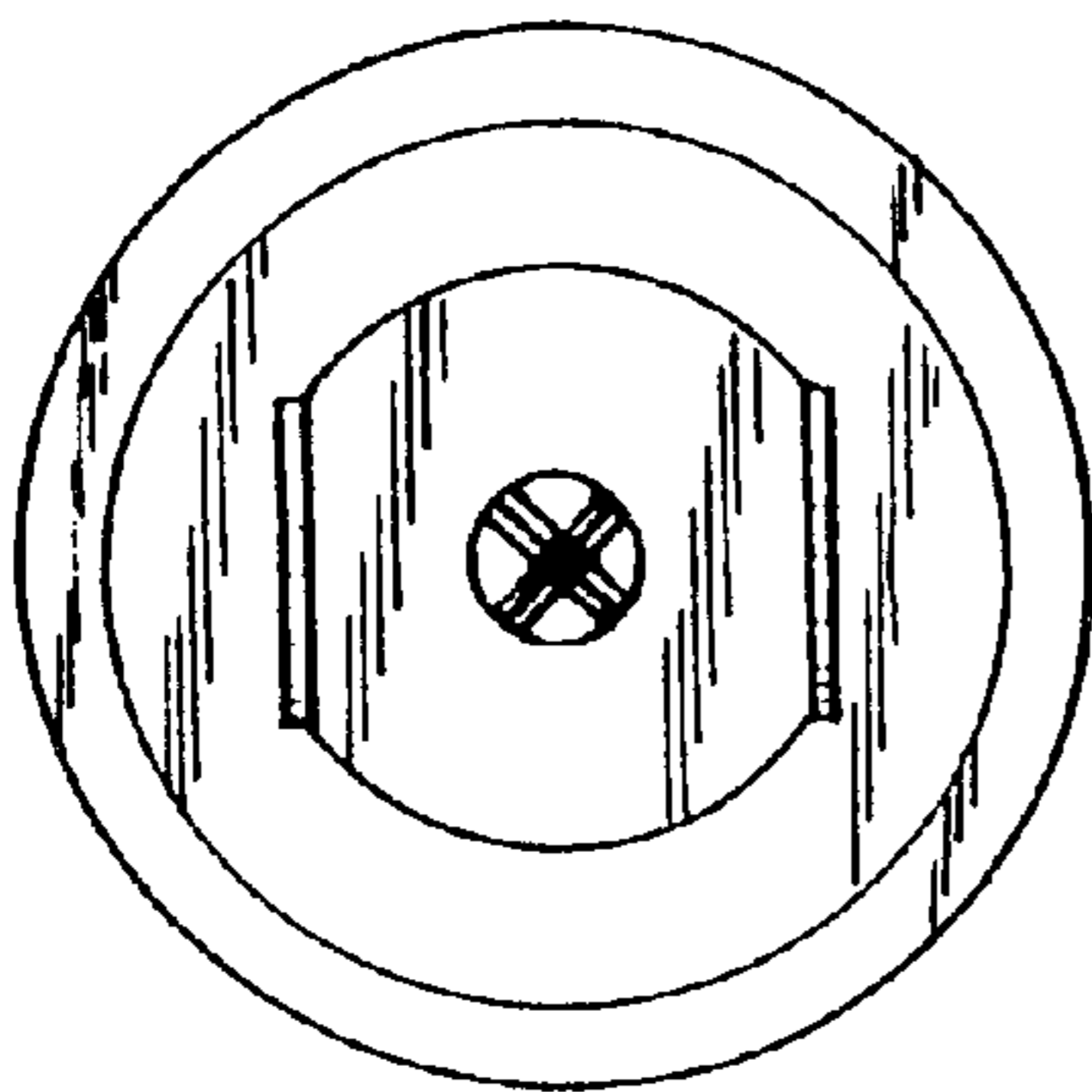


FIG. 16

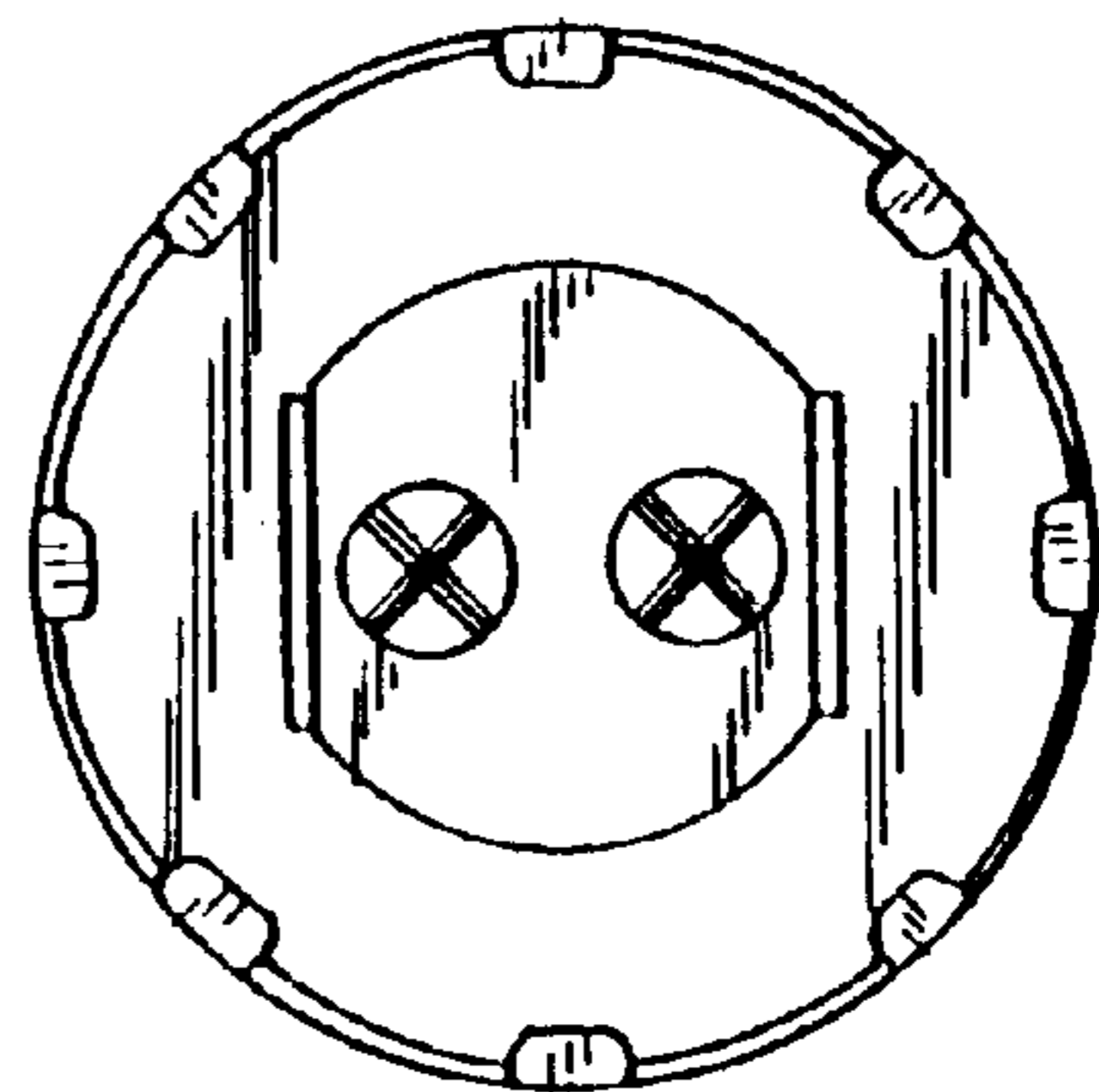


FIG. 17

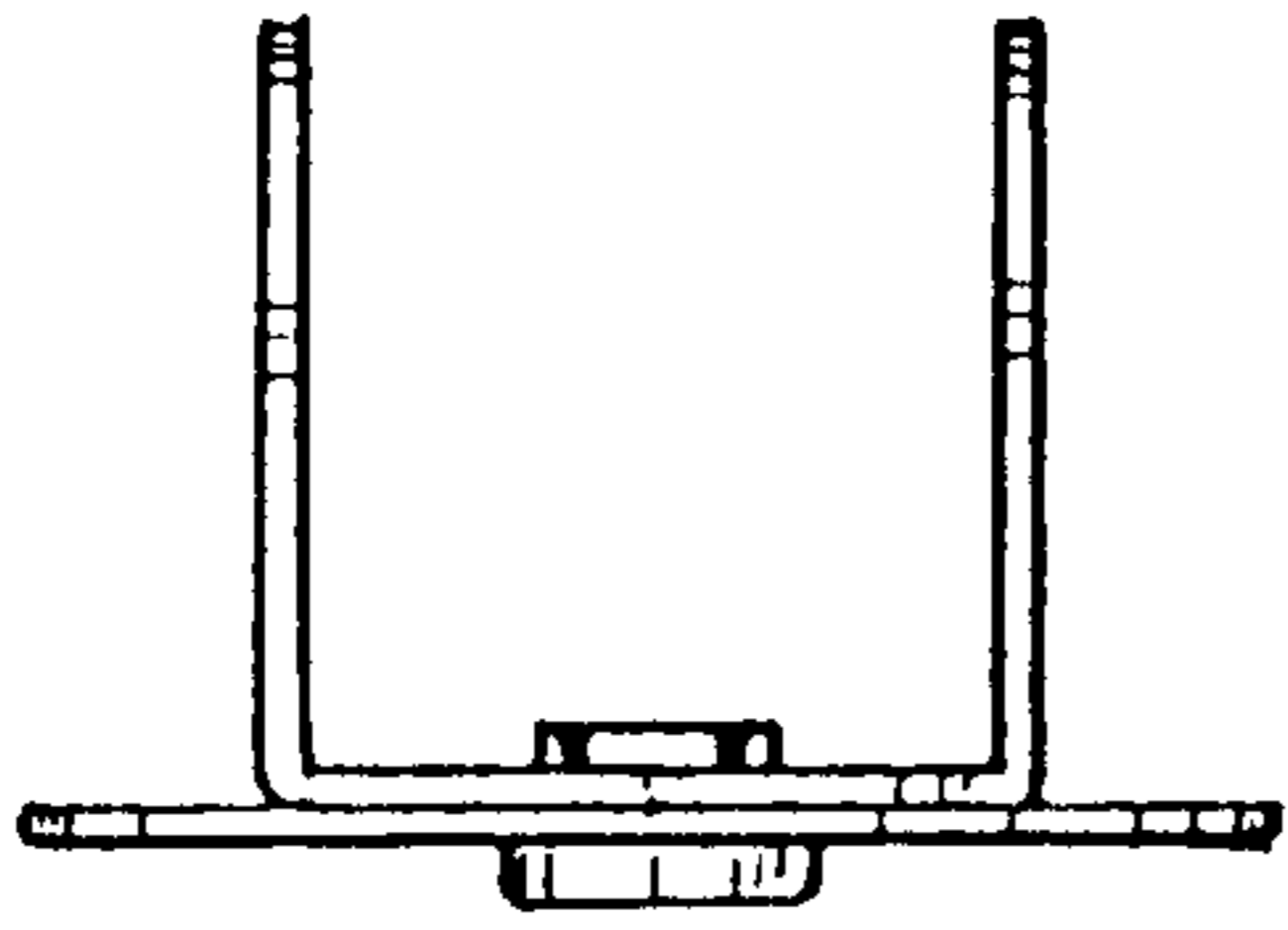


FIG. 18

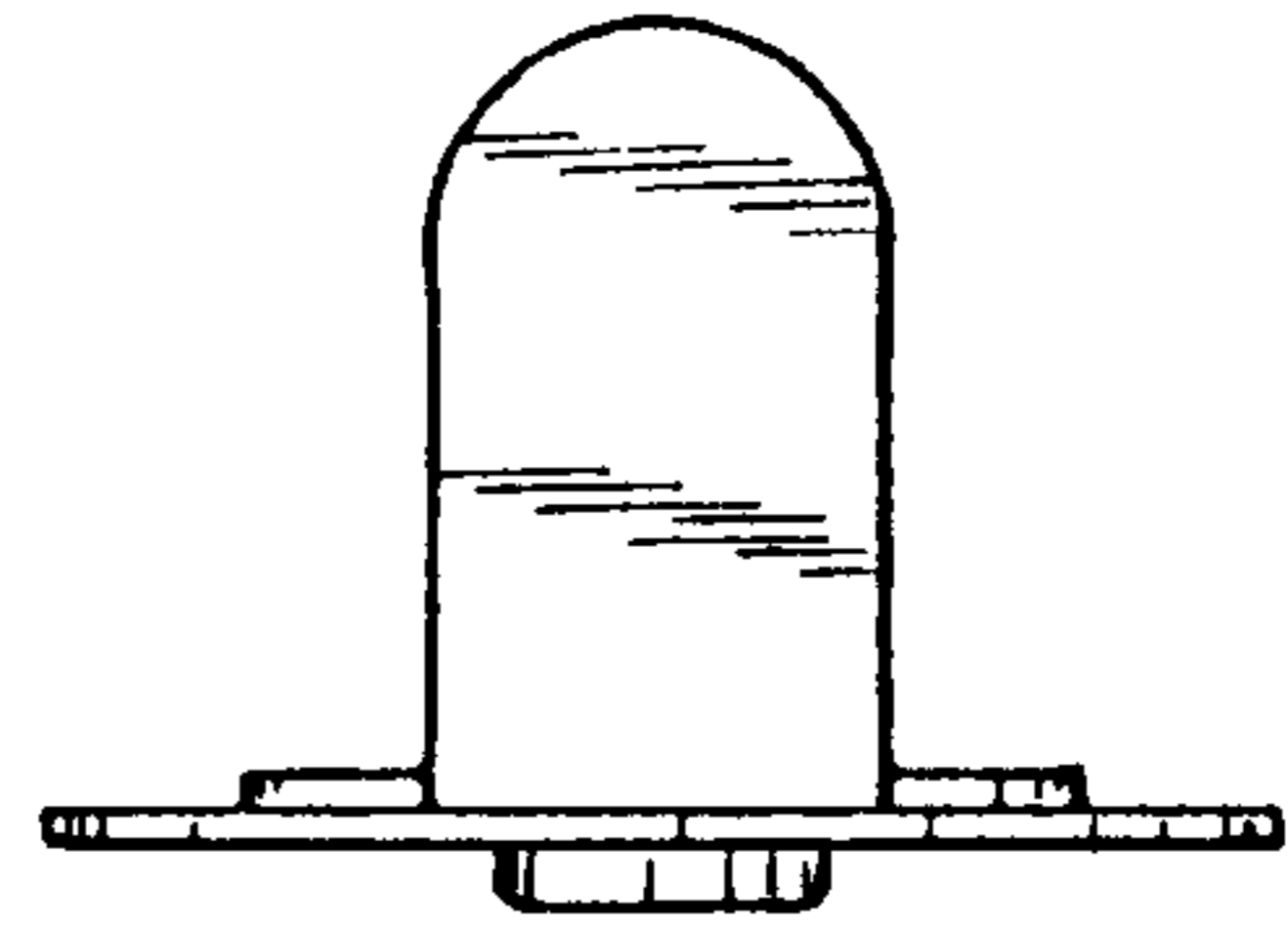


FIG. 19

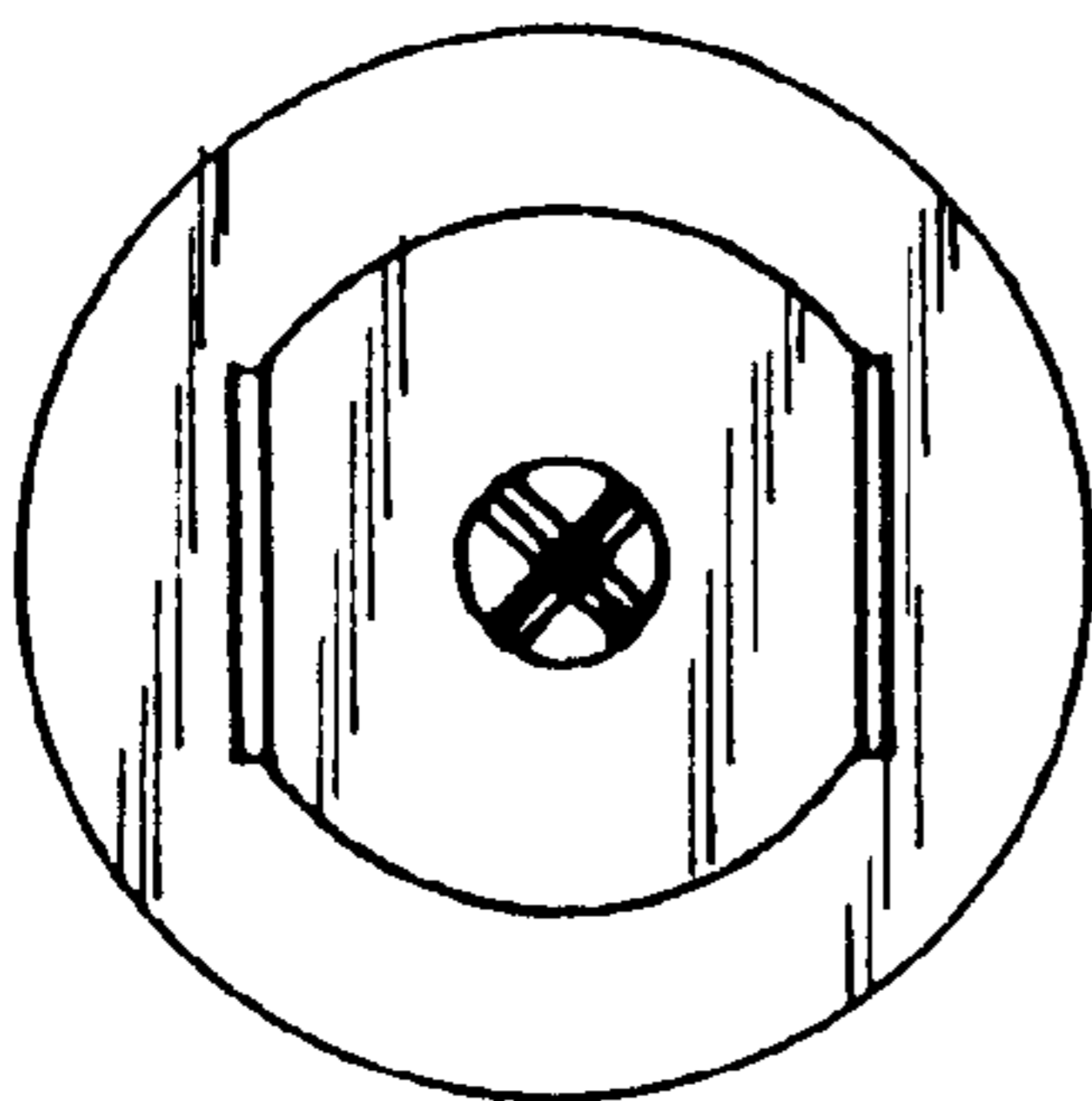


FIG. 20

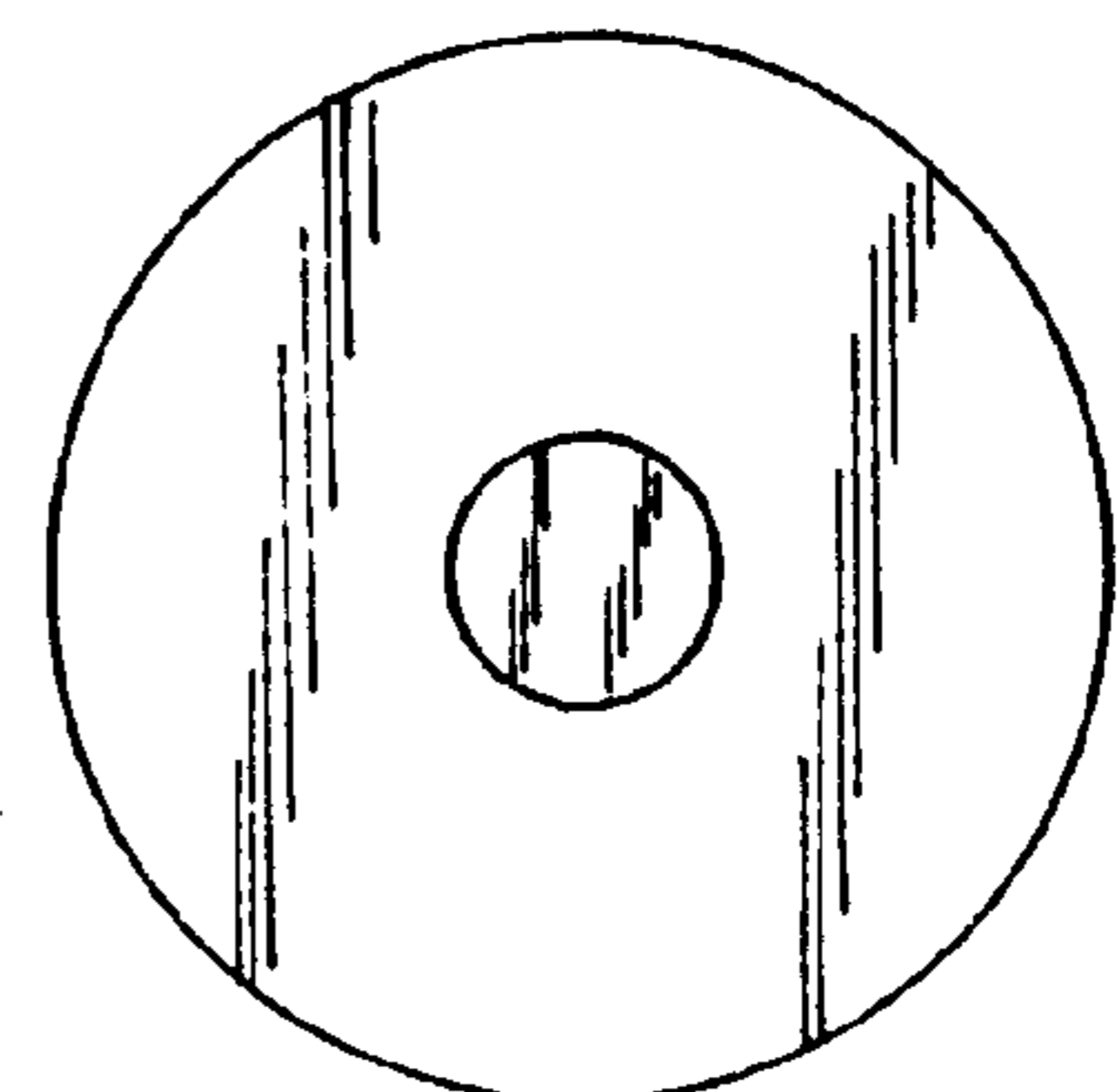


FIG. 21

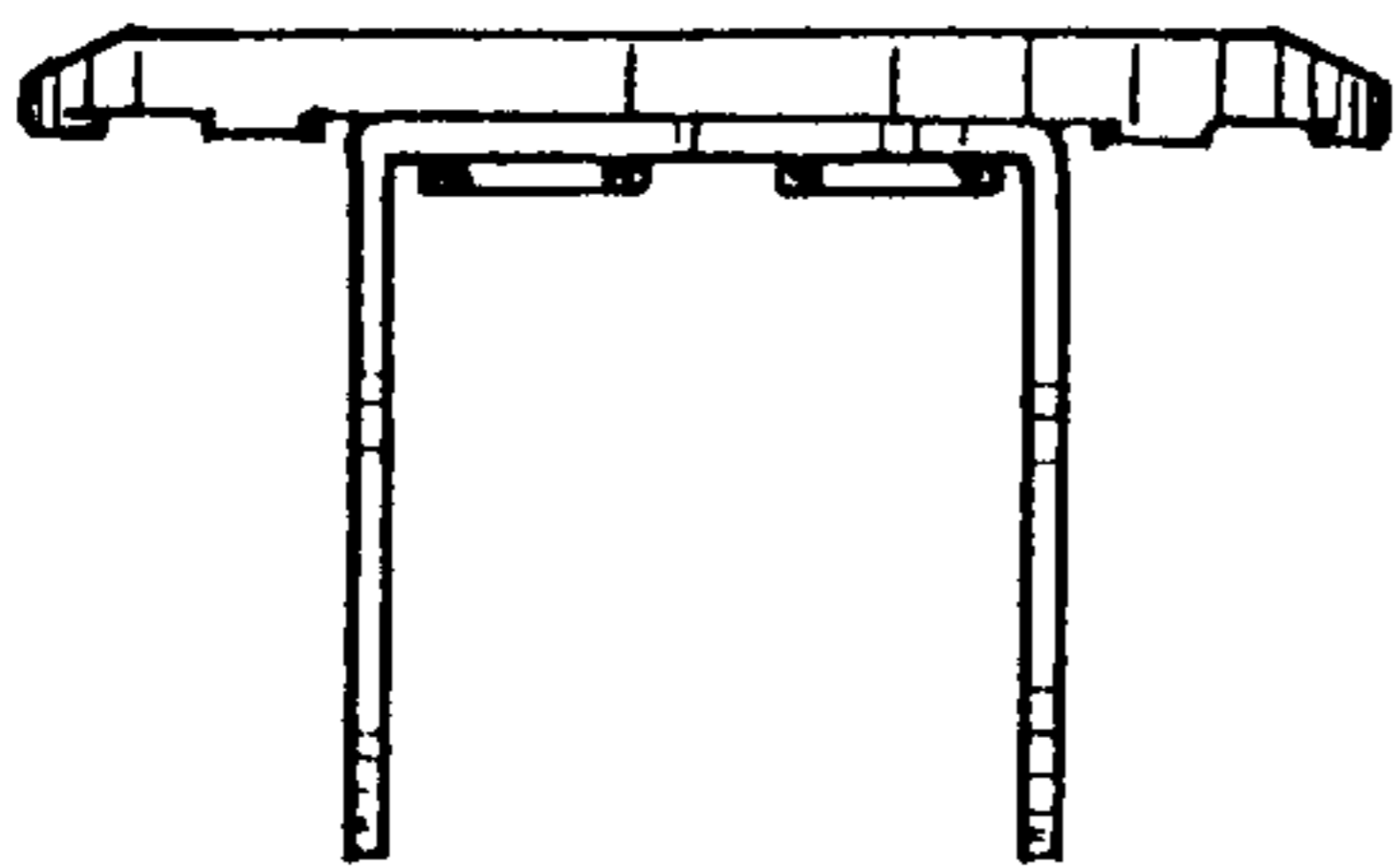


FIG. 22

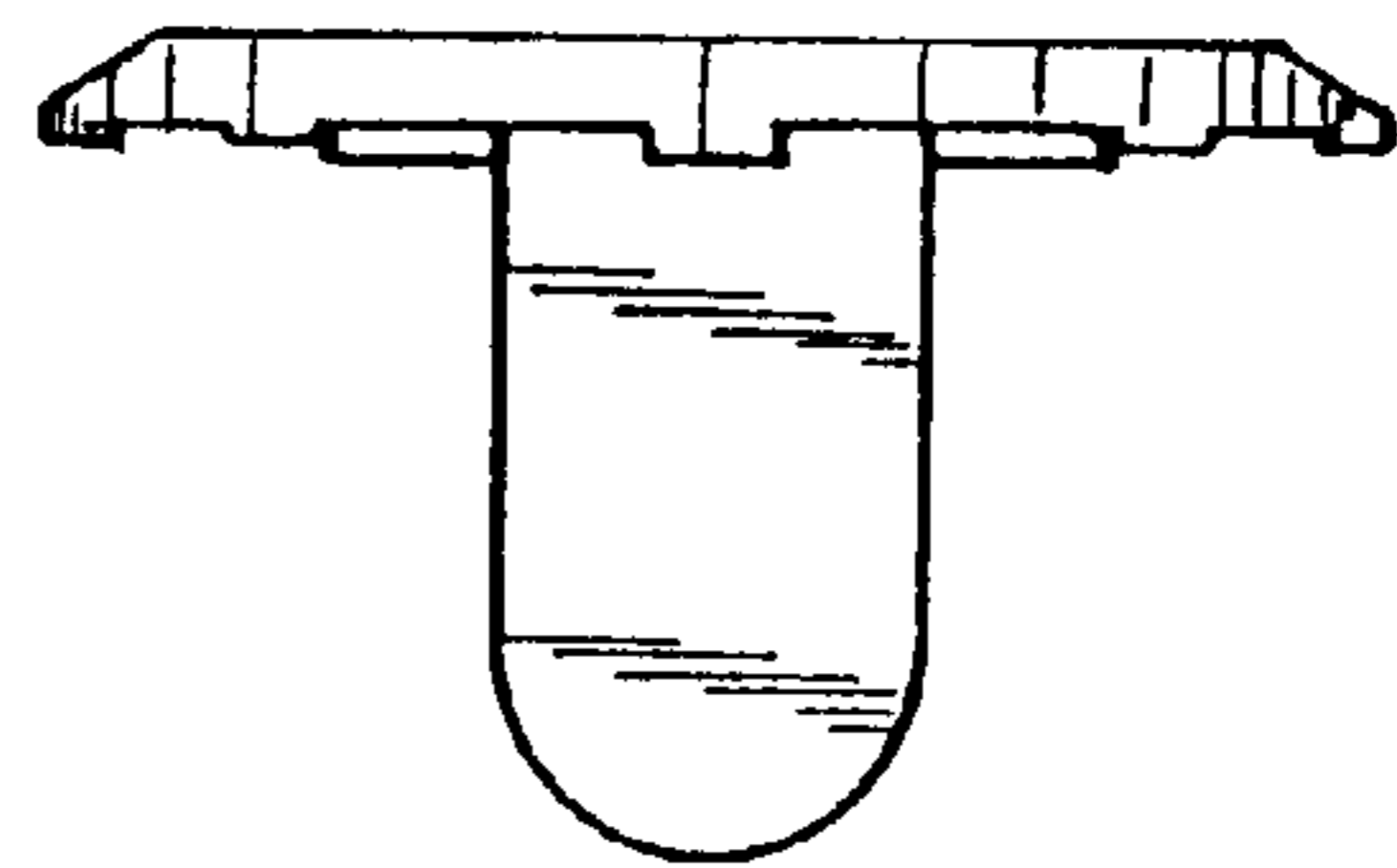


FIG. 23

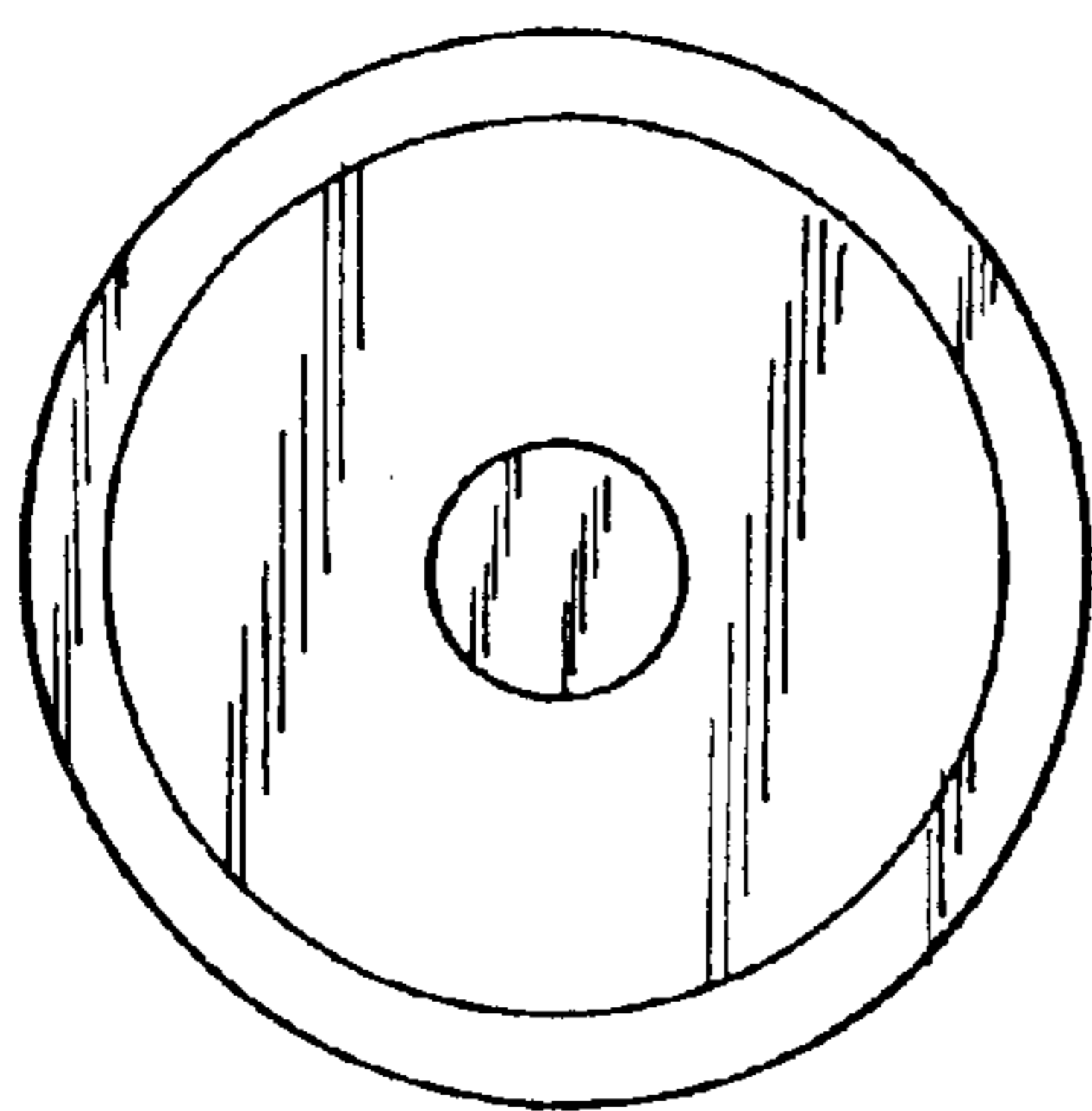


FIG. 24

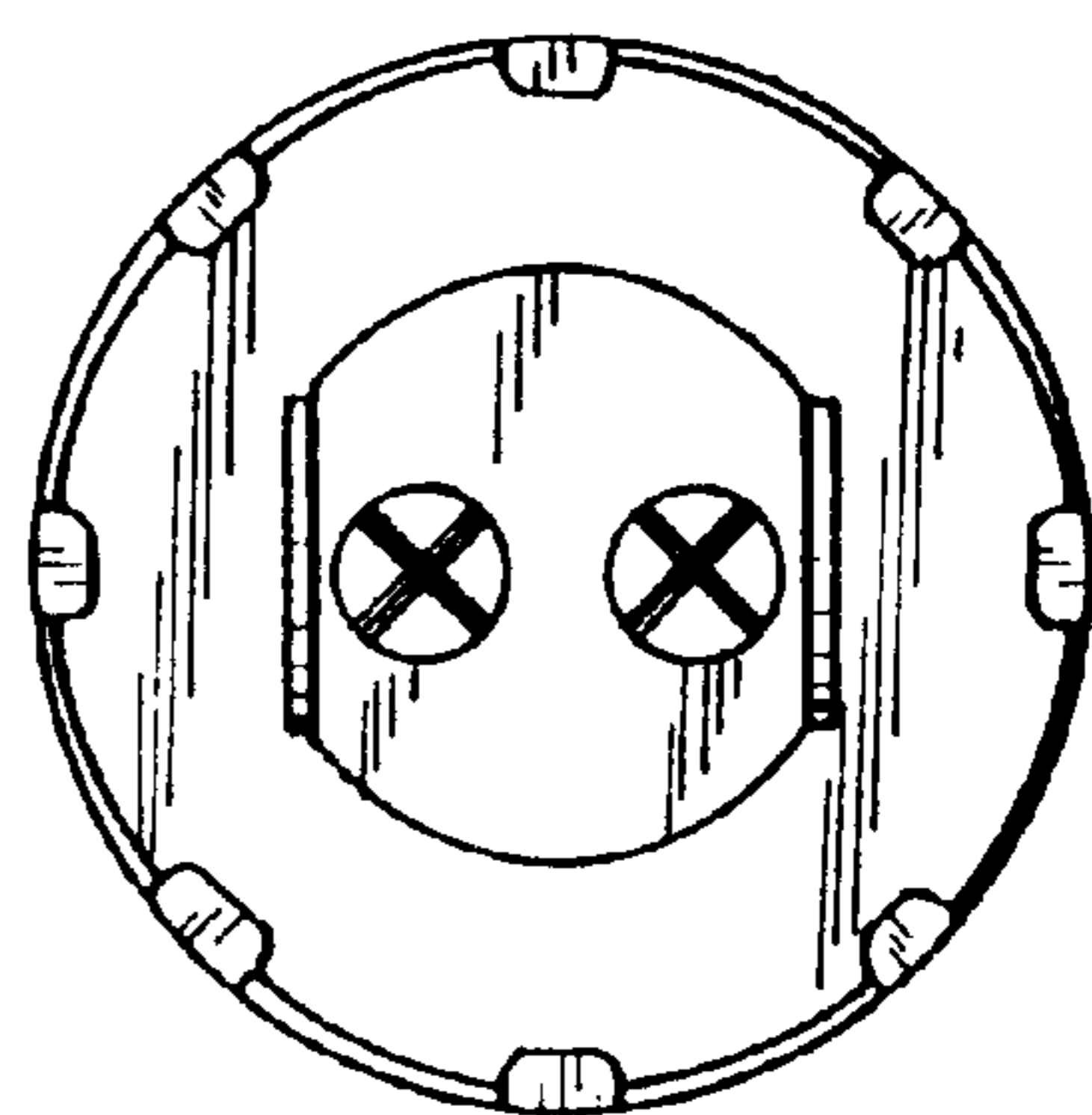


FIG. 25

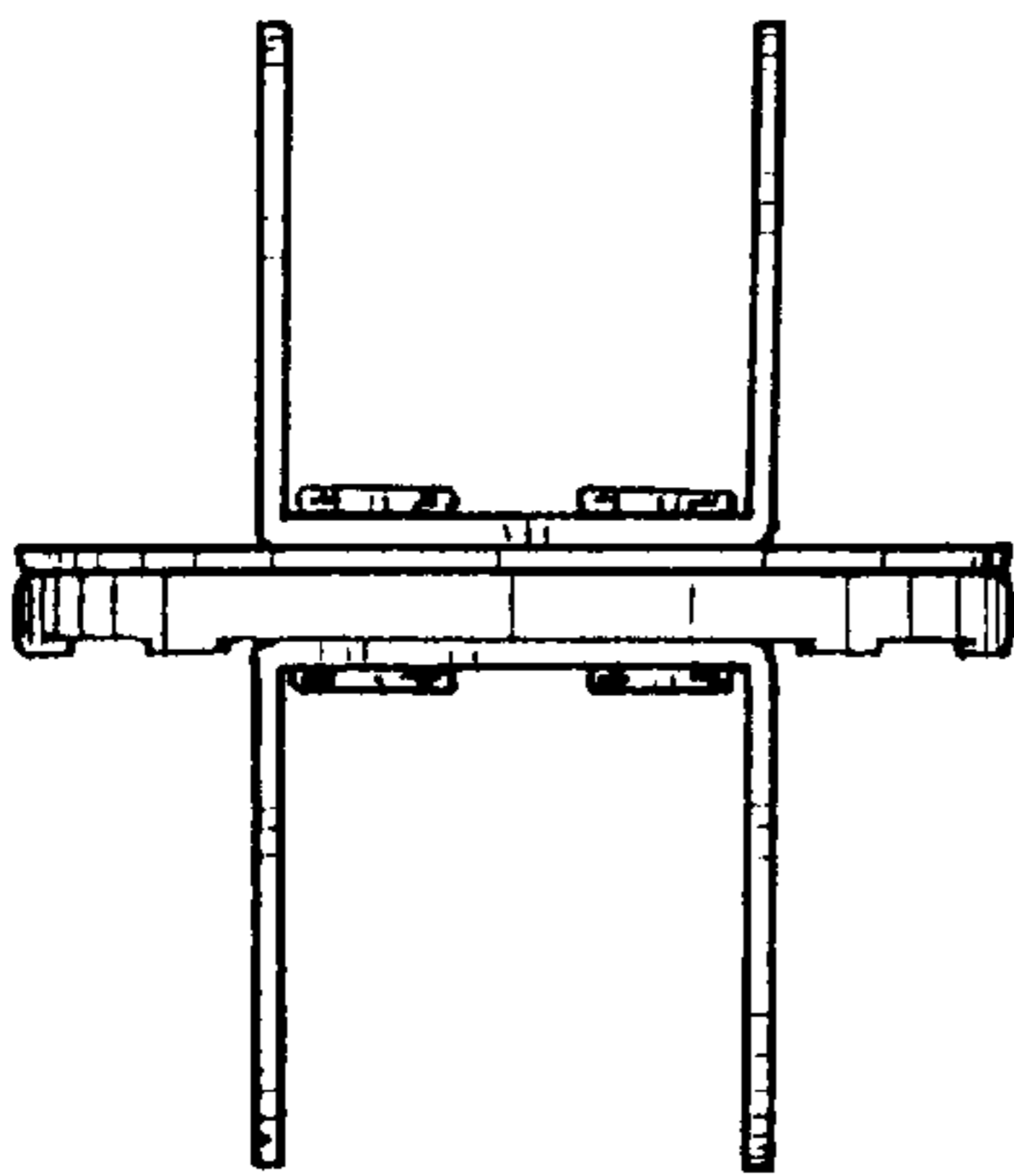


FIG. 26

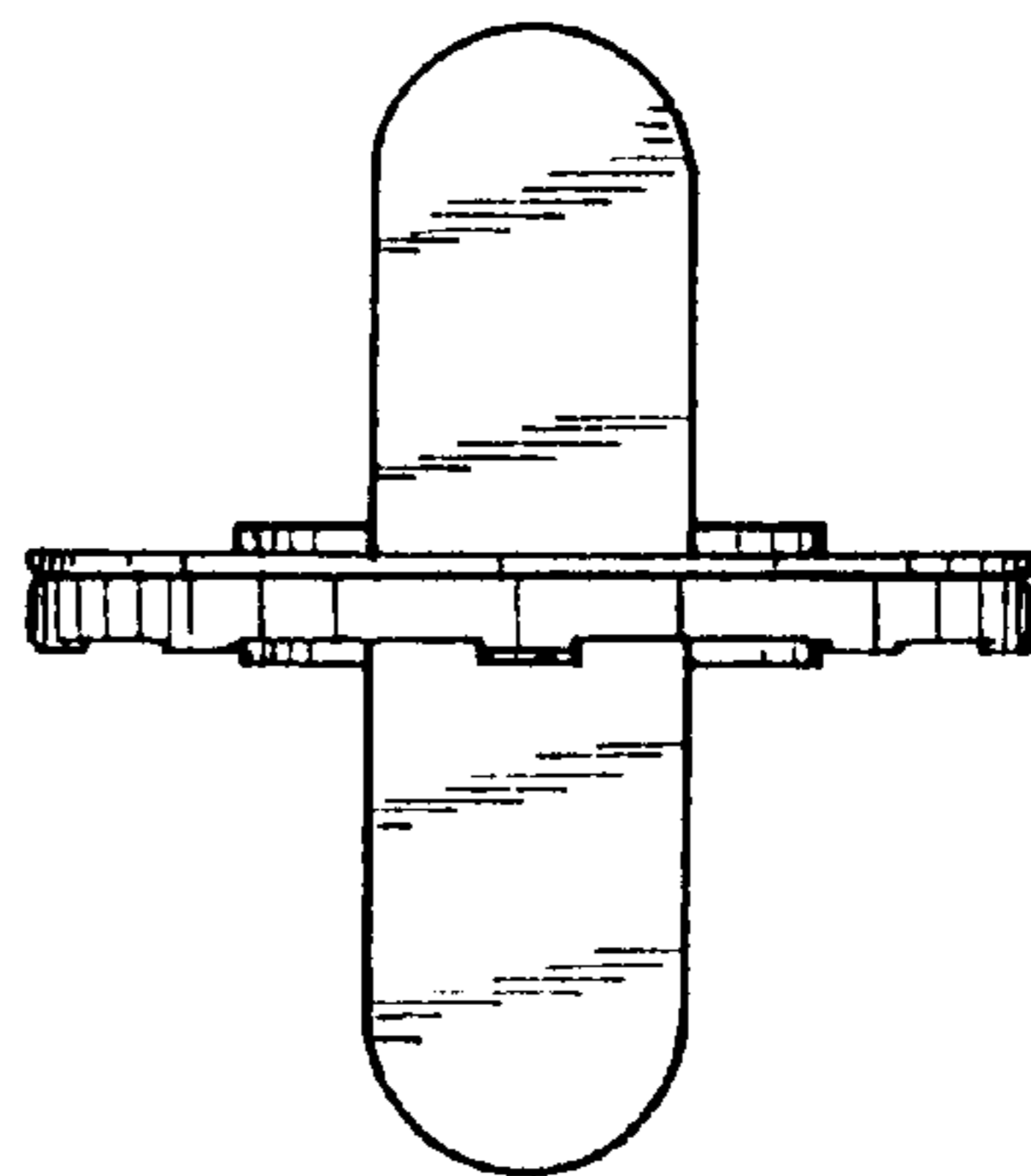


FIG. 27

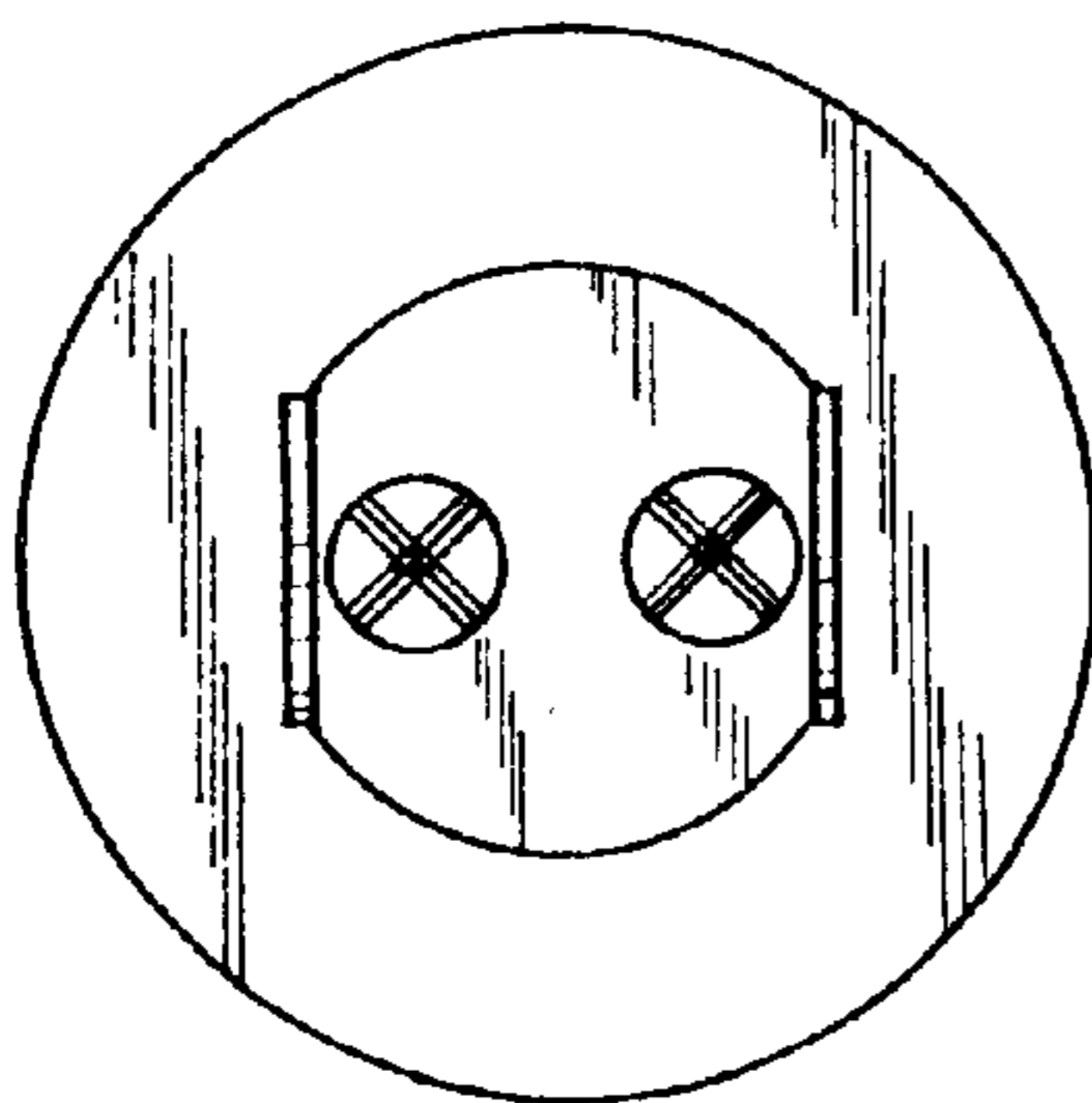


FIG. 28

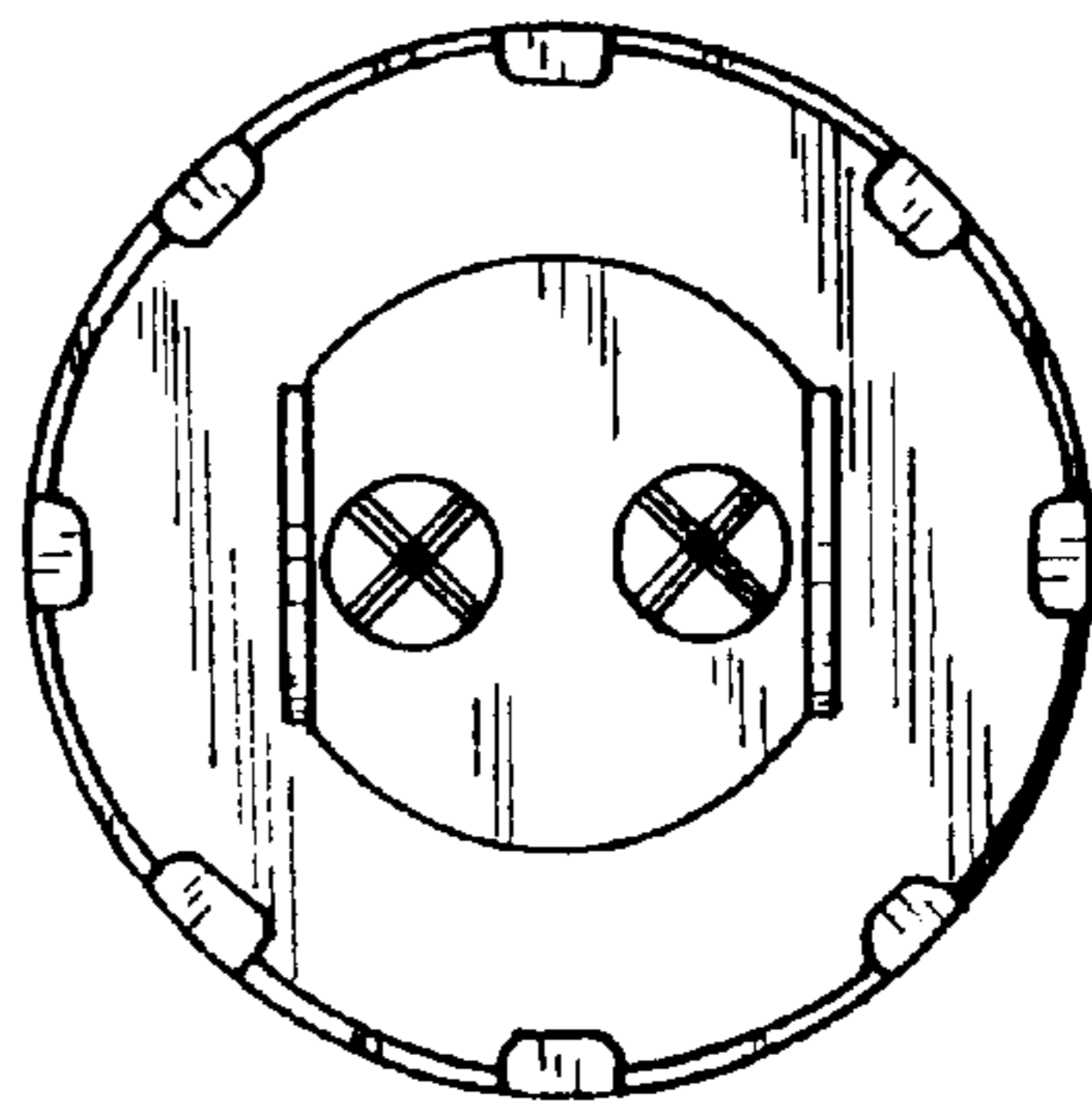


FIG. 29

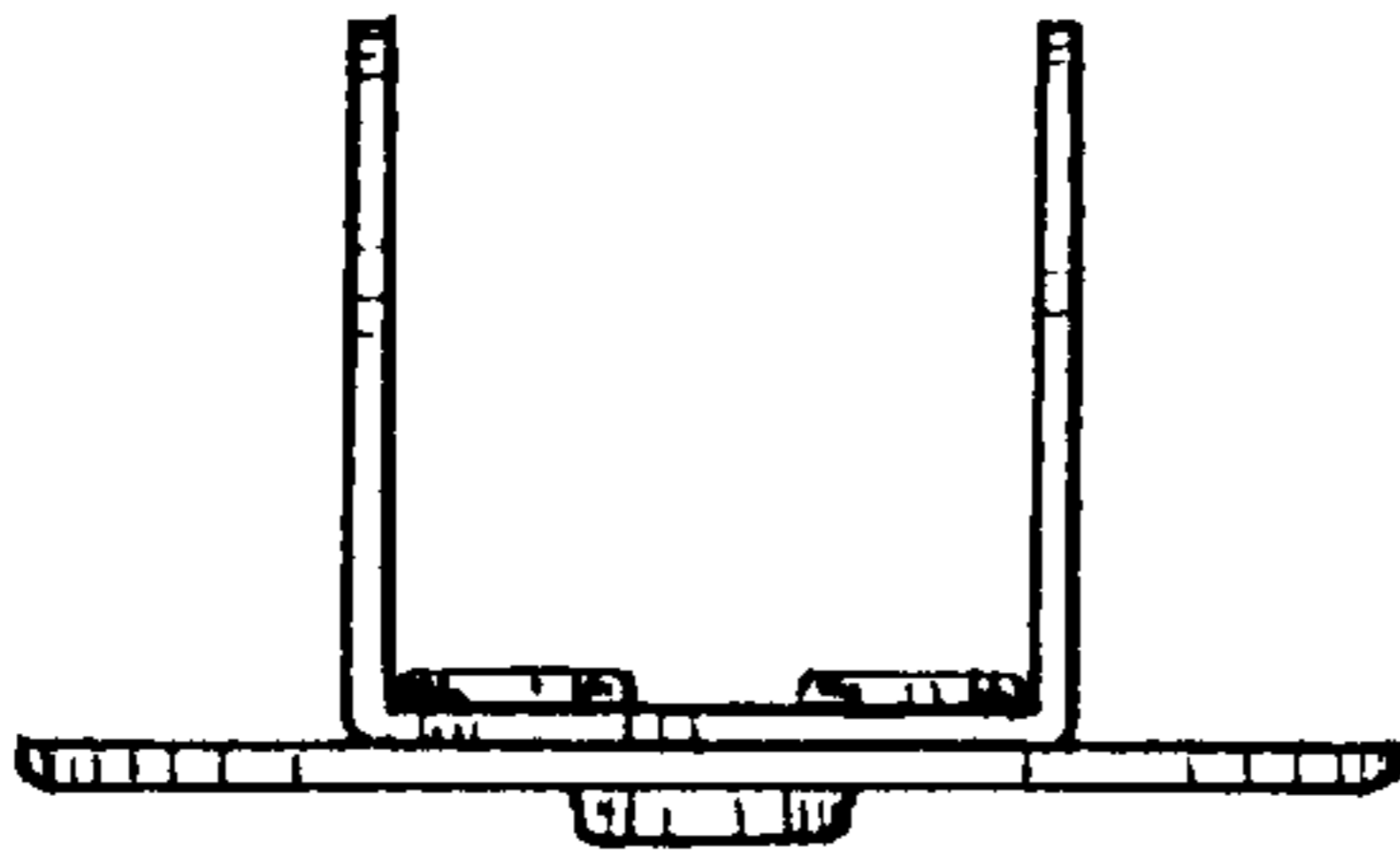


FIG. 30

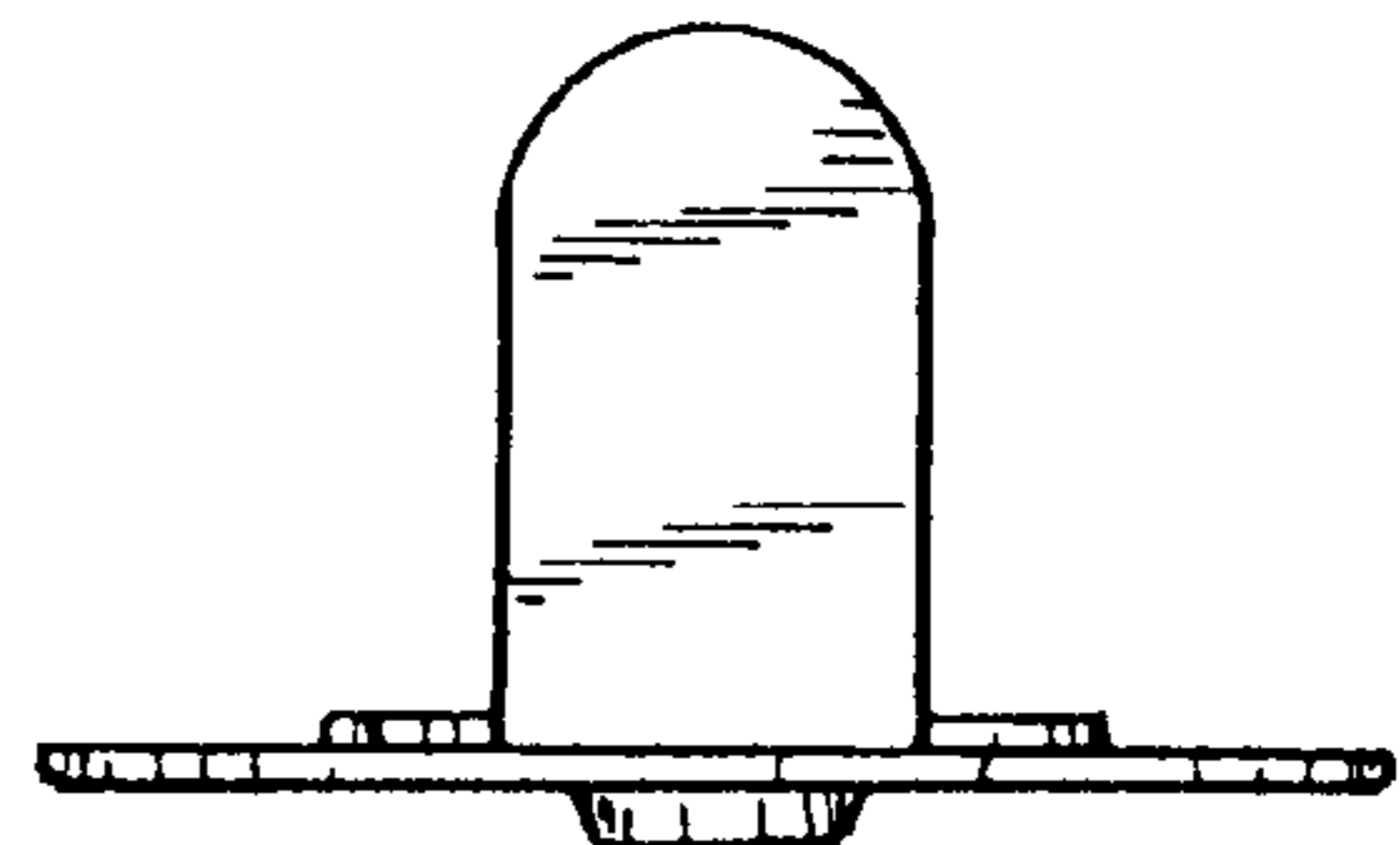


FIG. 31

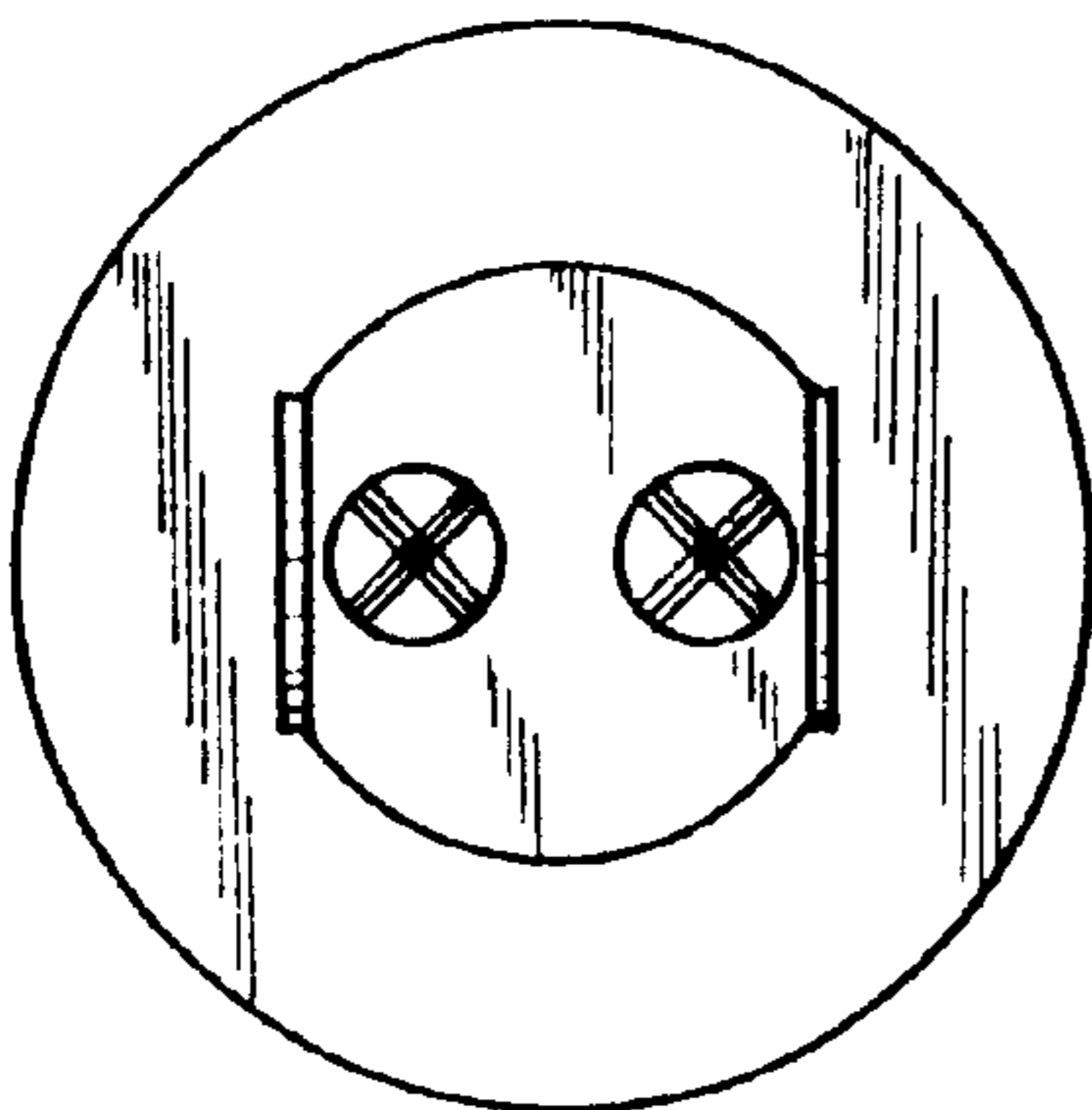


FIG. 32

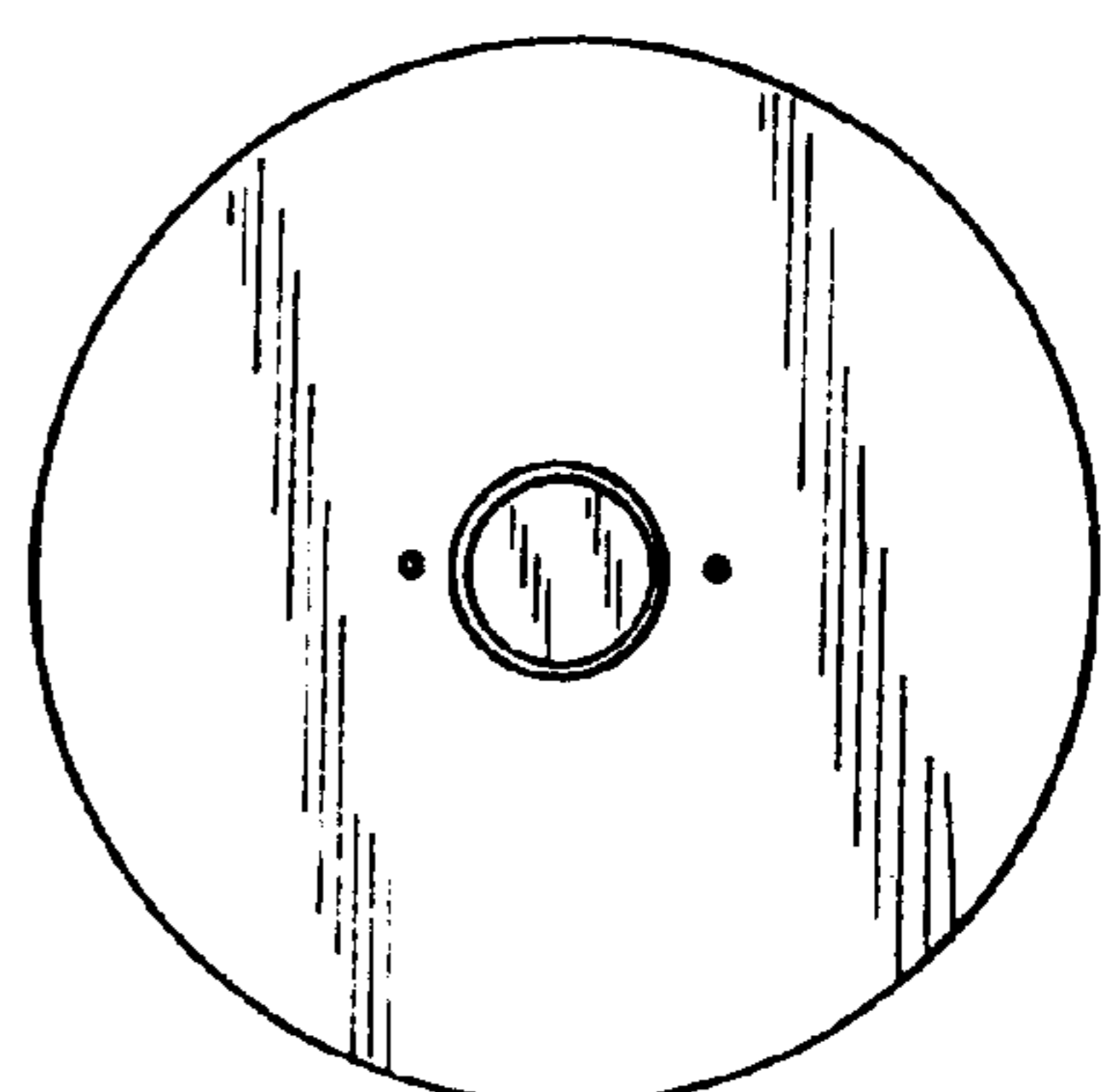


FIG. 33

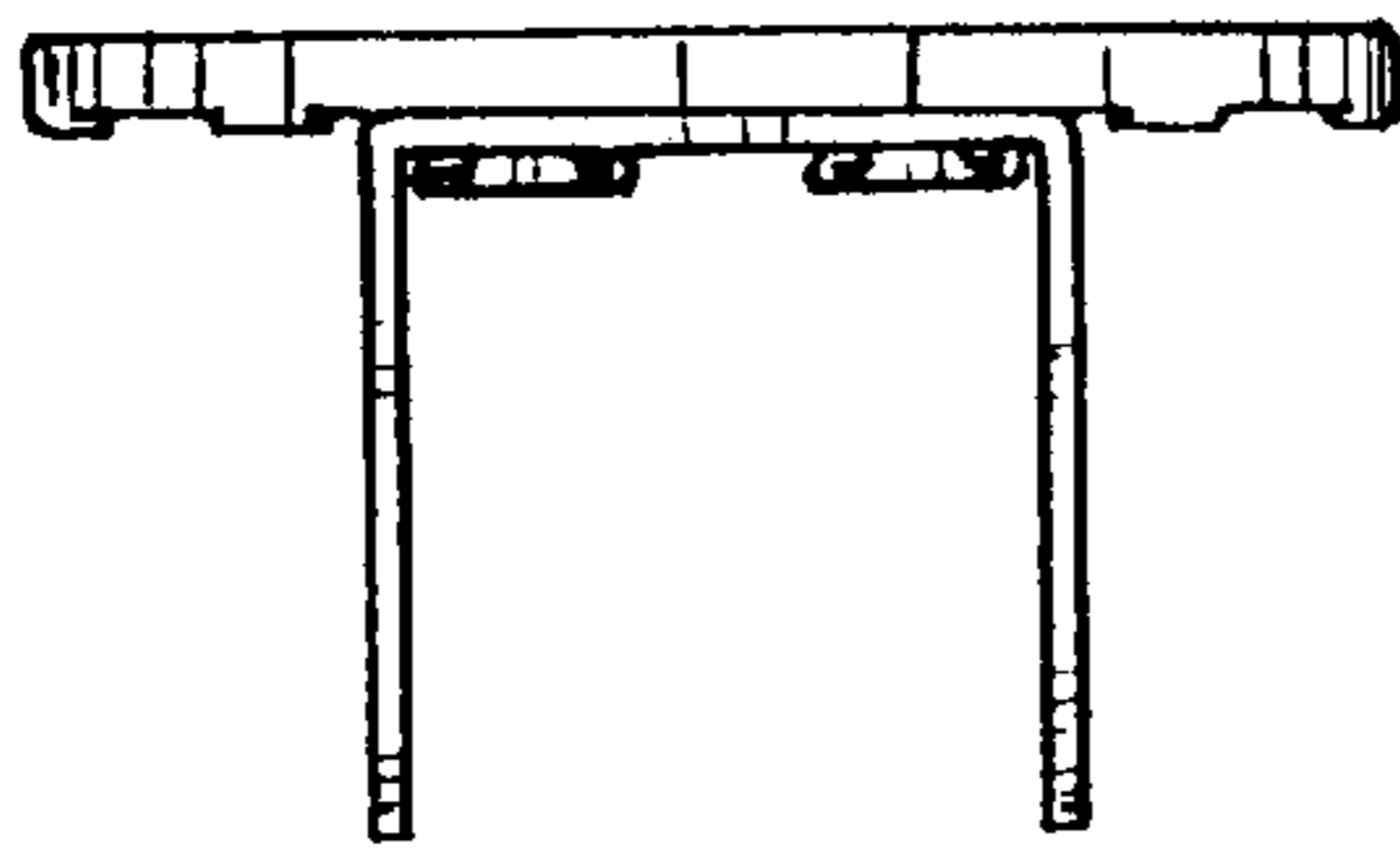


FIG. 34

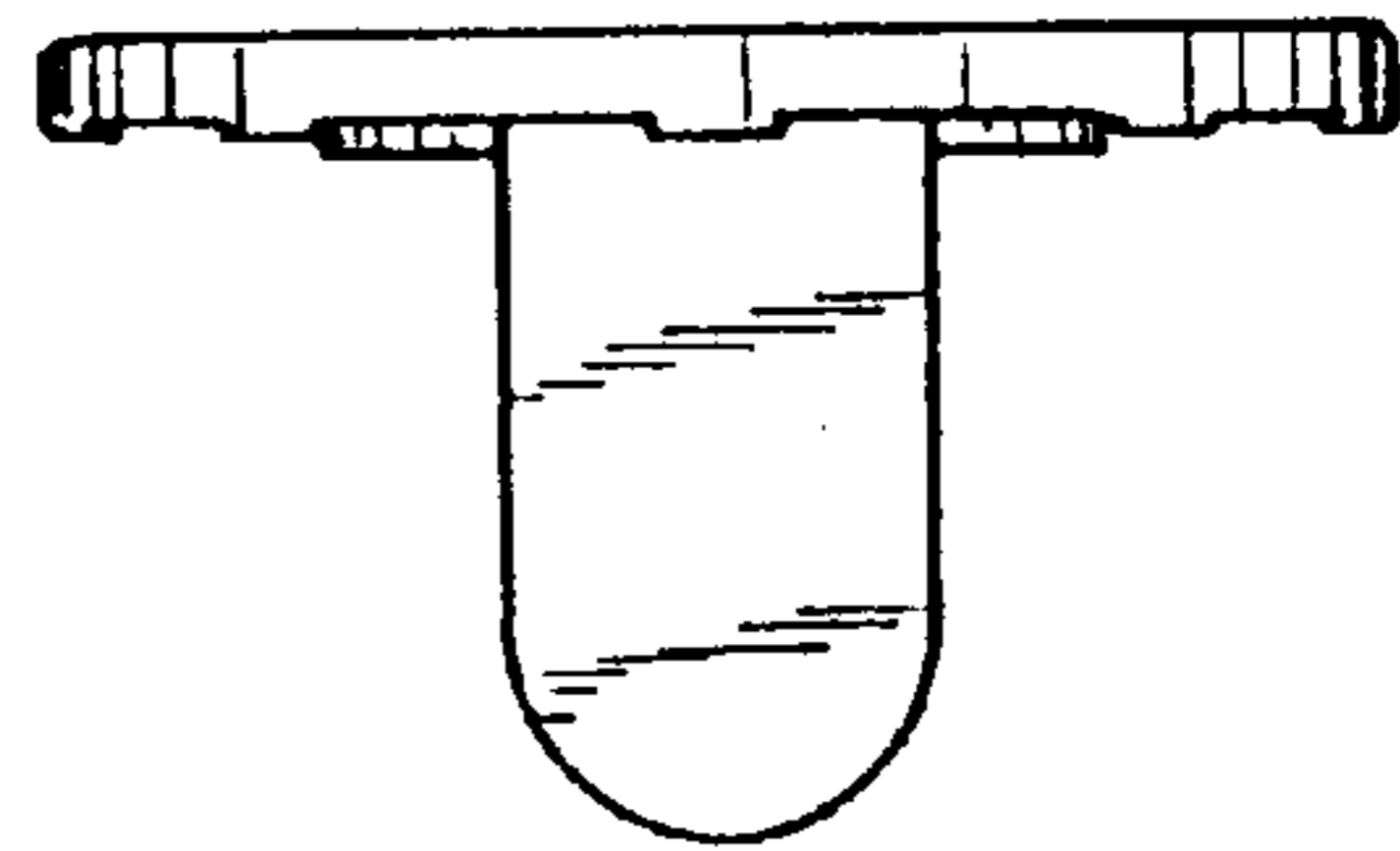


FIG. 35

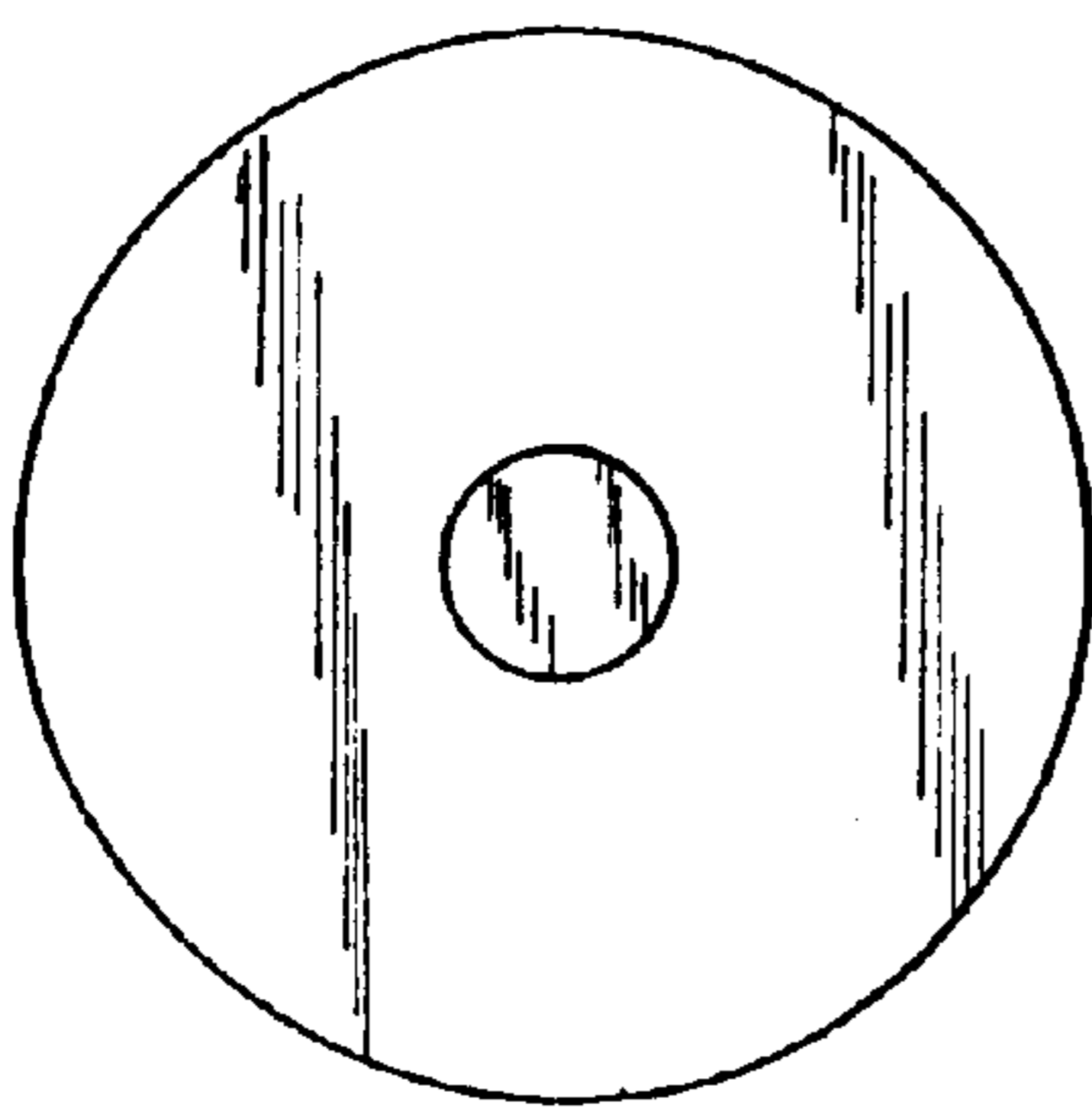


FIG. 36

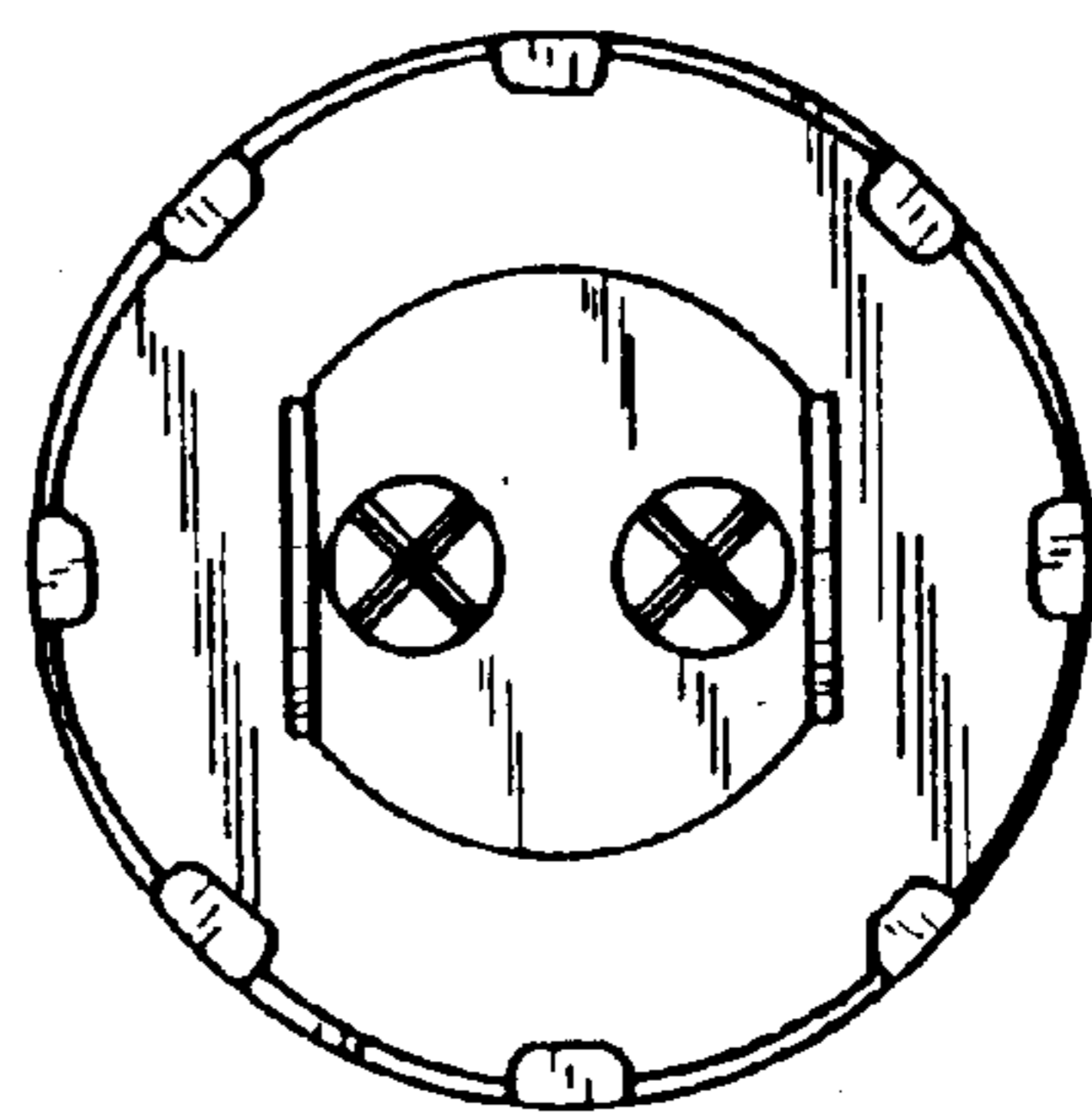


FIG. 37

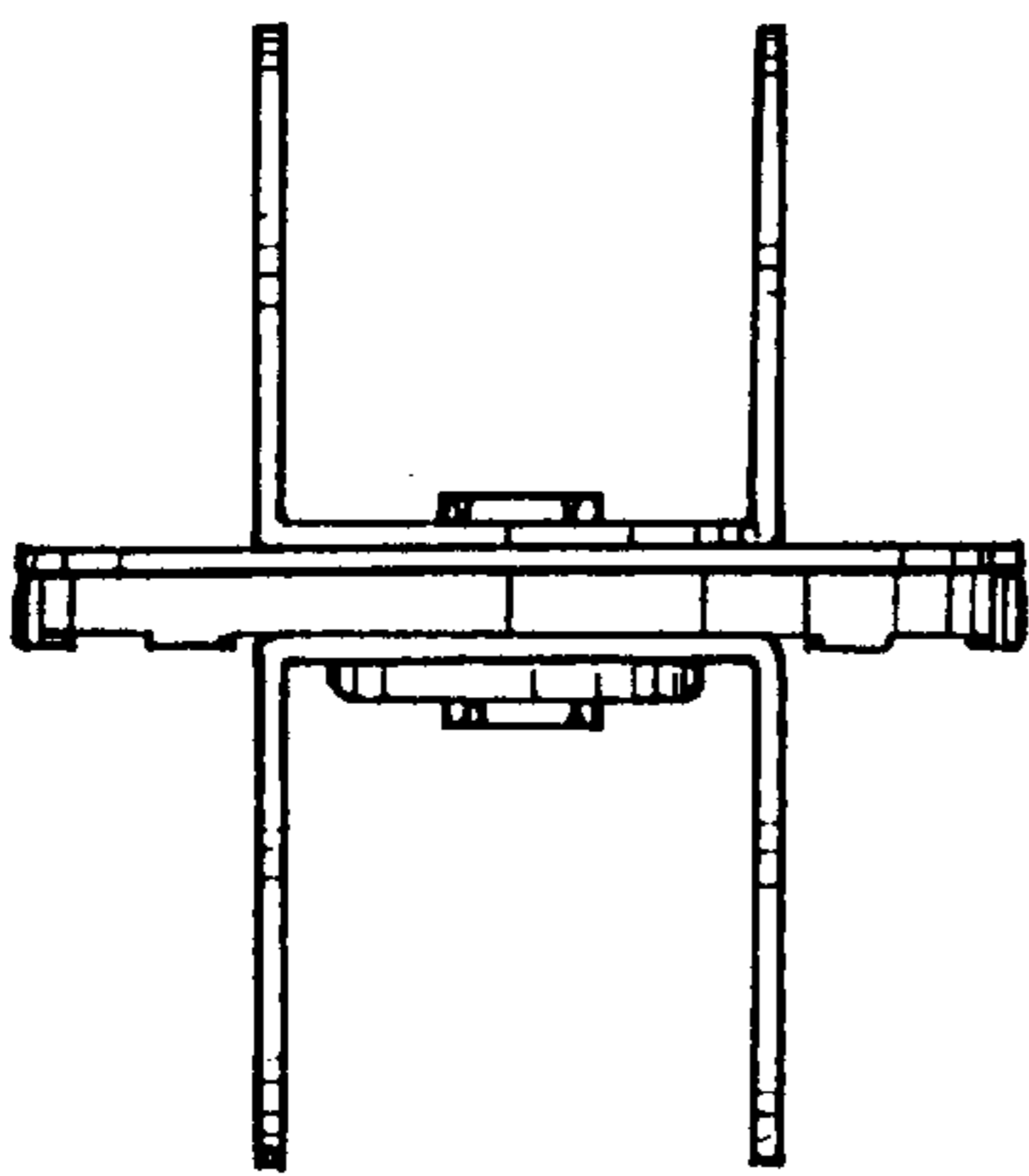


FIG. 38

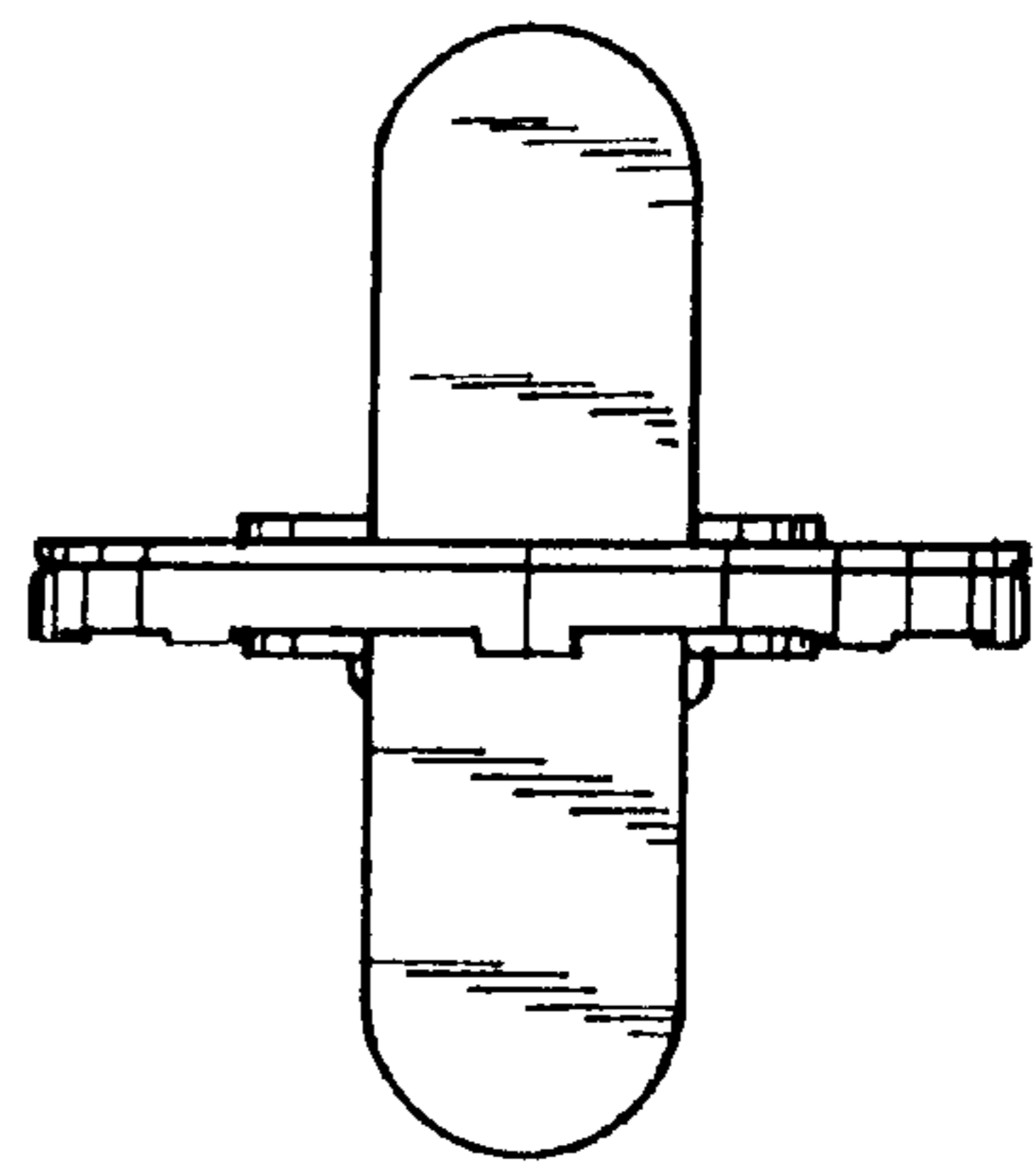


FIG. 39

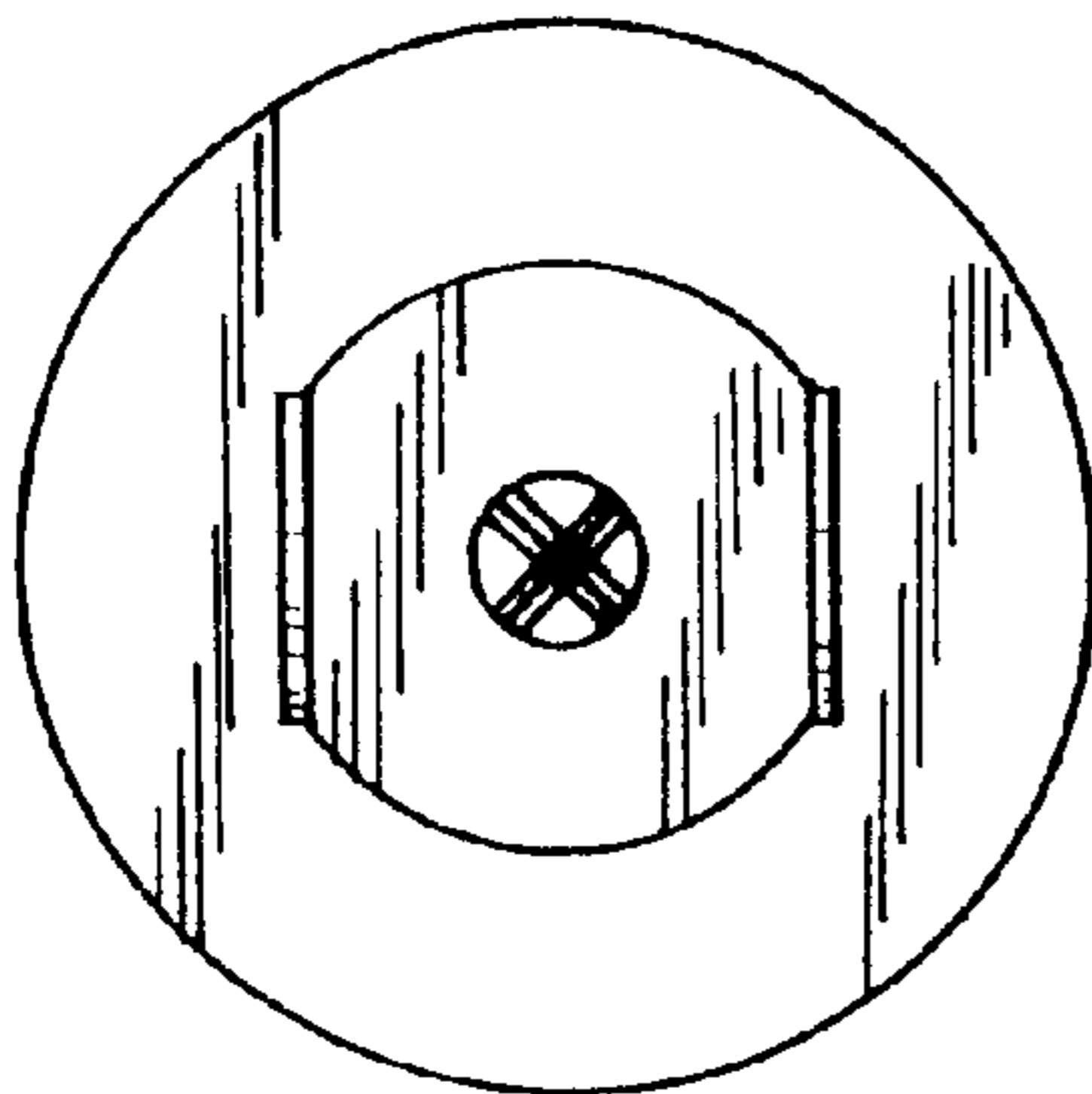


FIG. 40

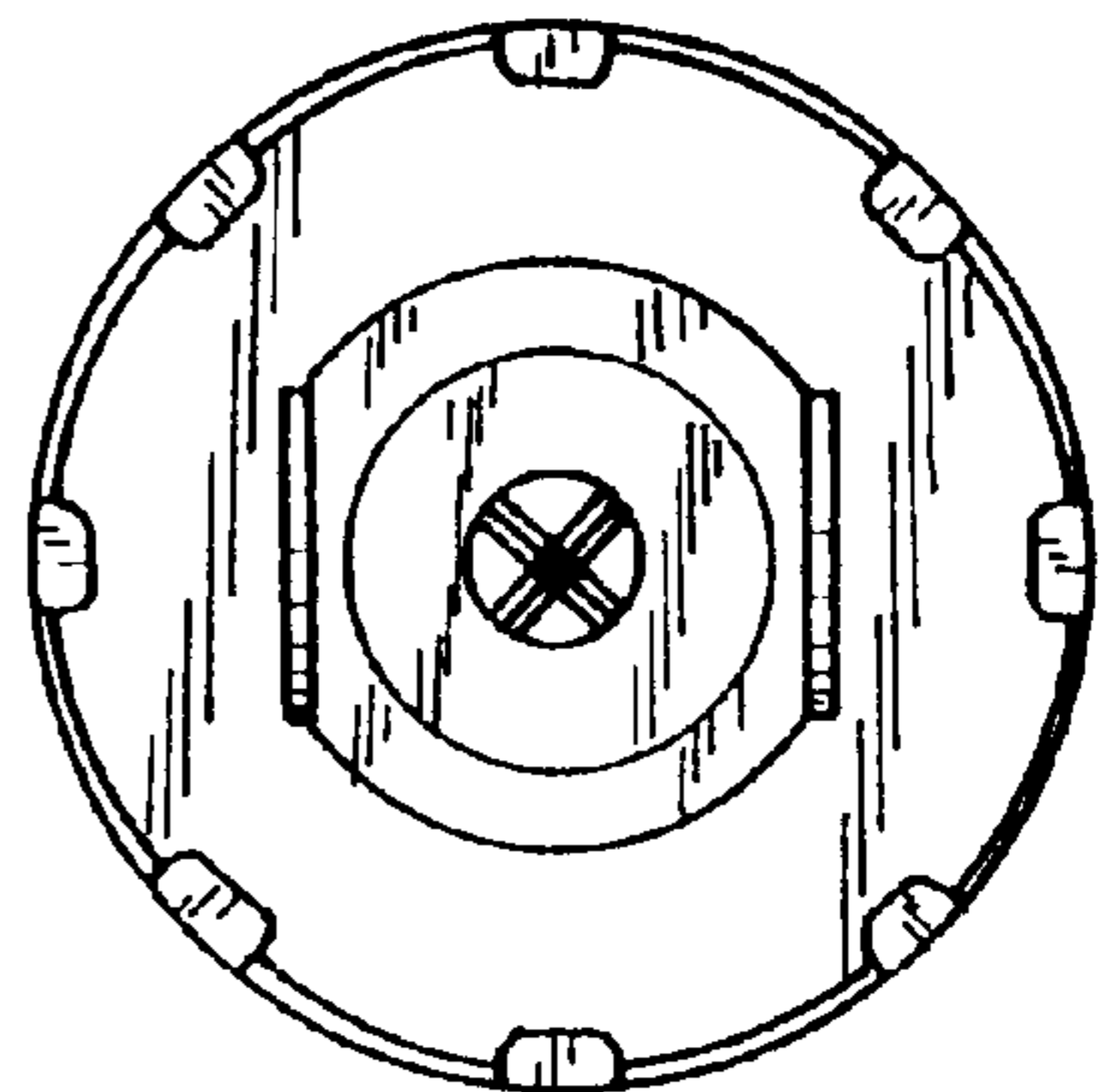


FIG. 41

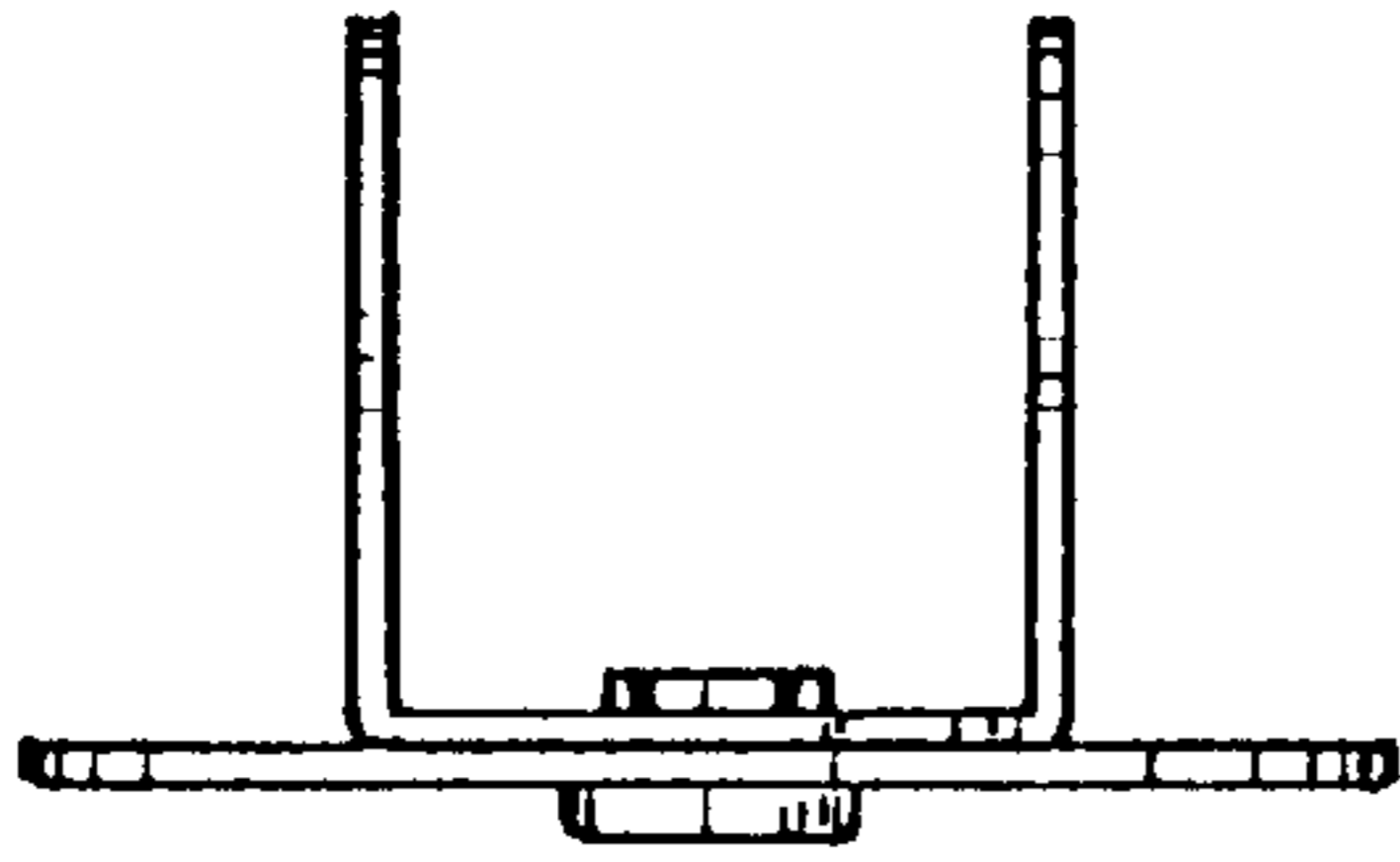


FIG. 42

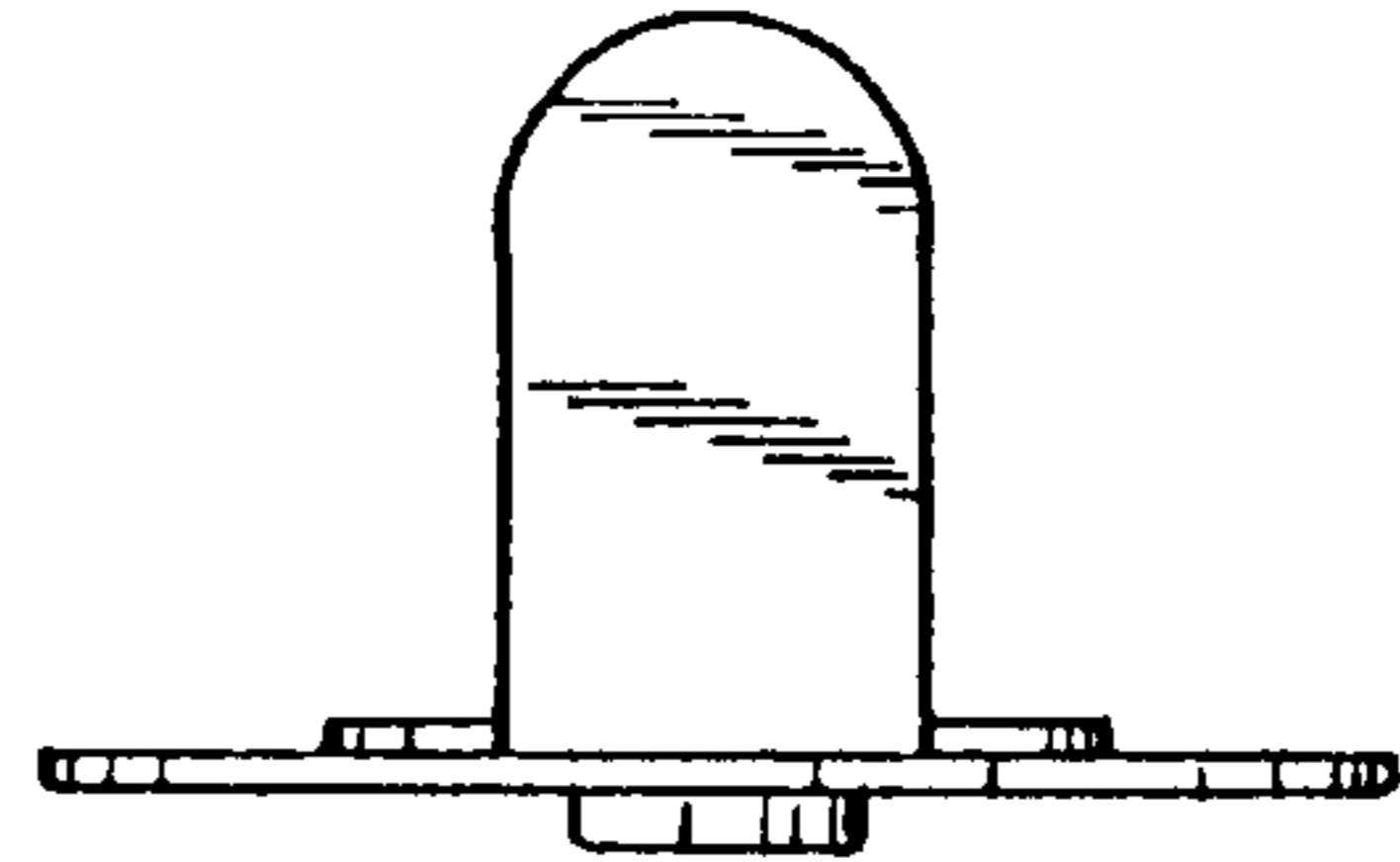


FIG. 43

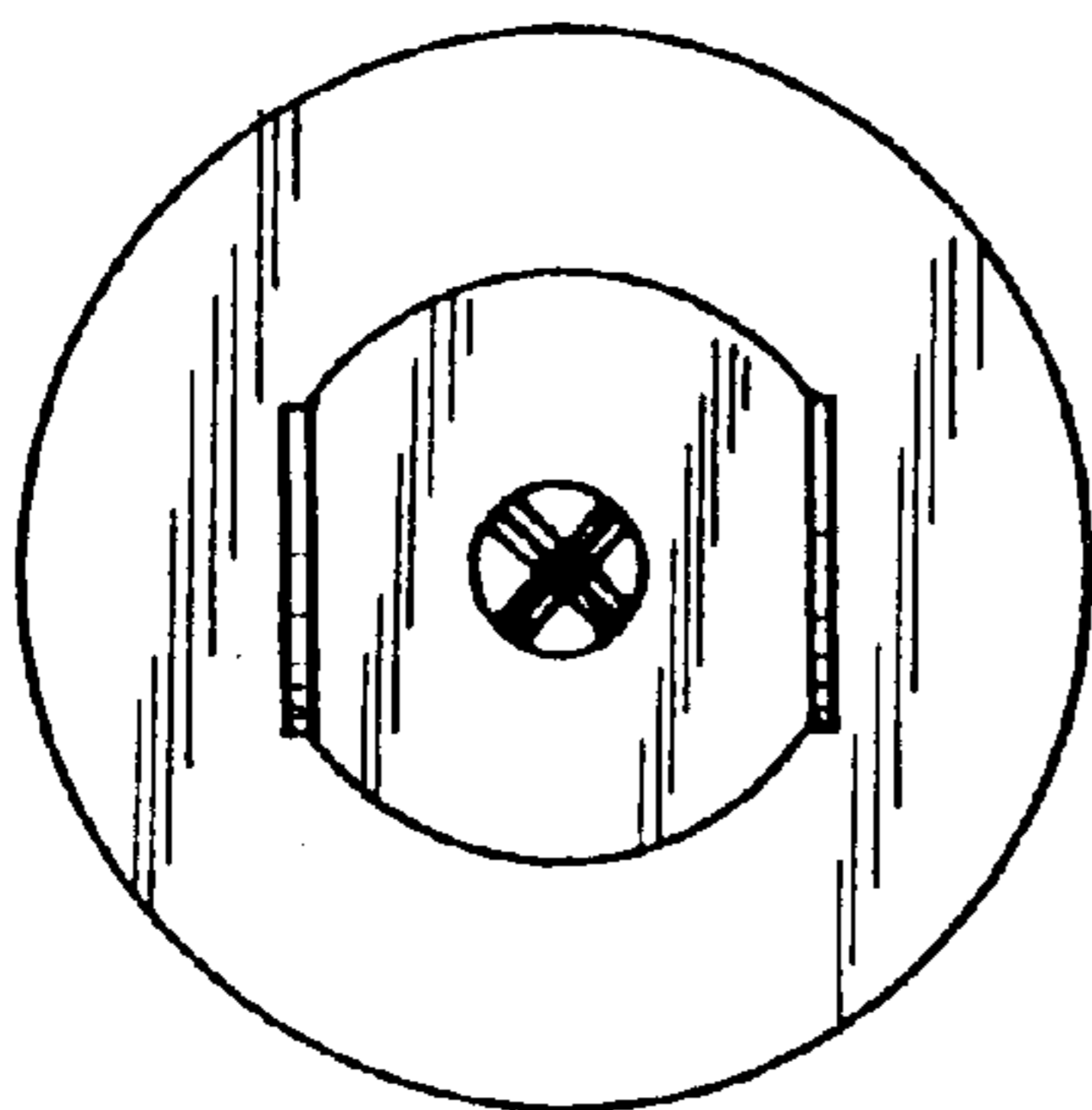


FIG. 44

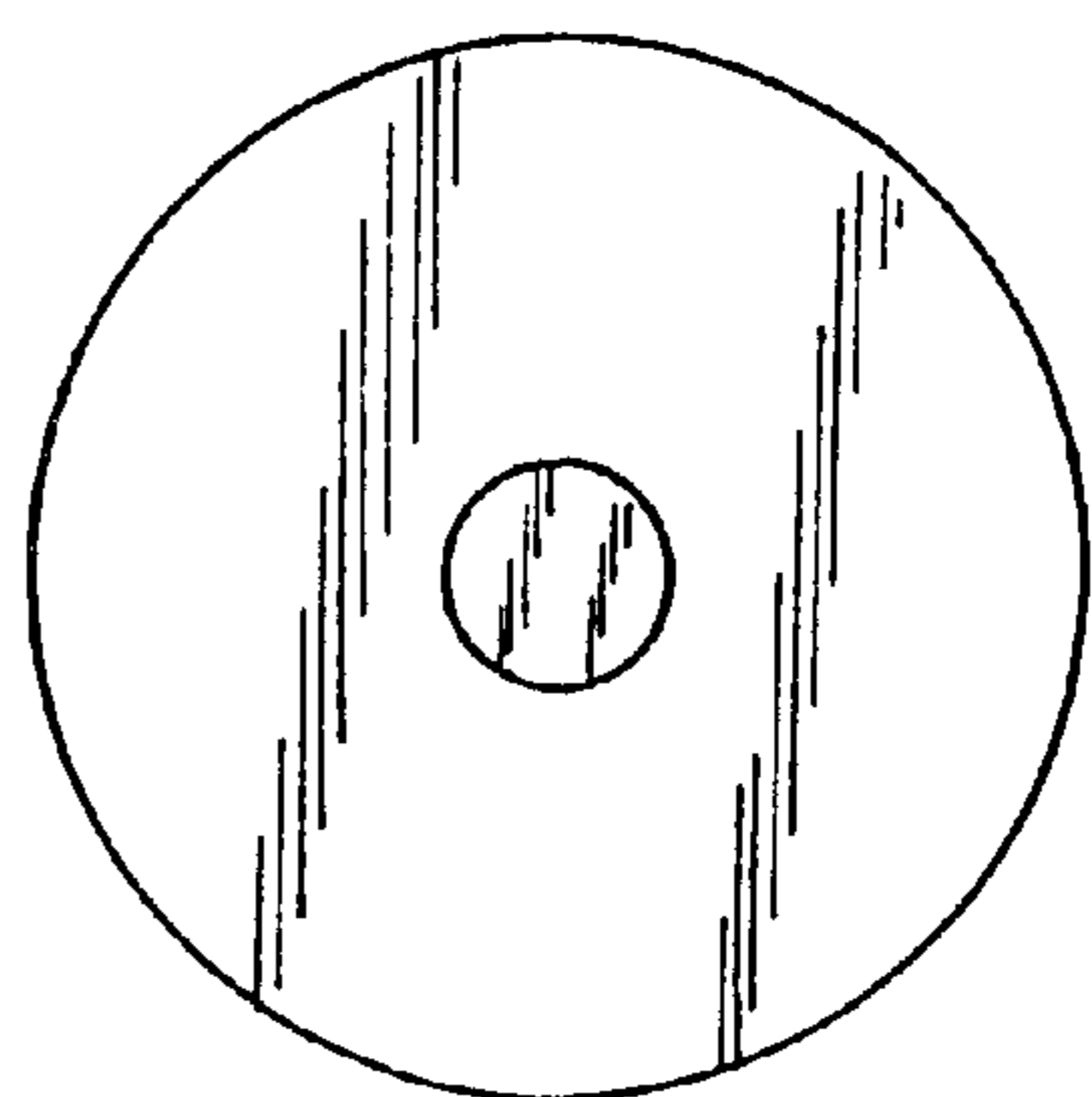


FIG. 45

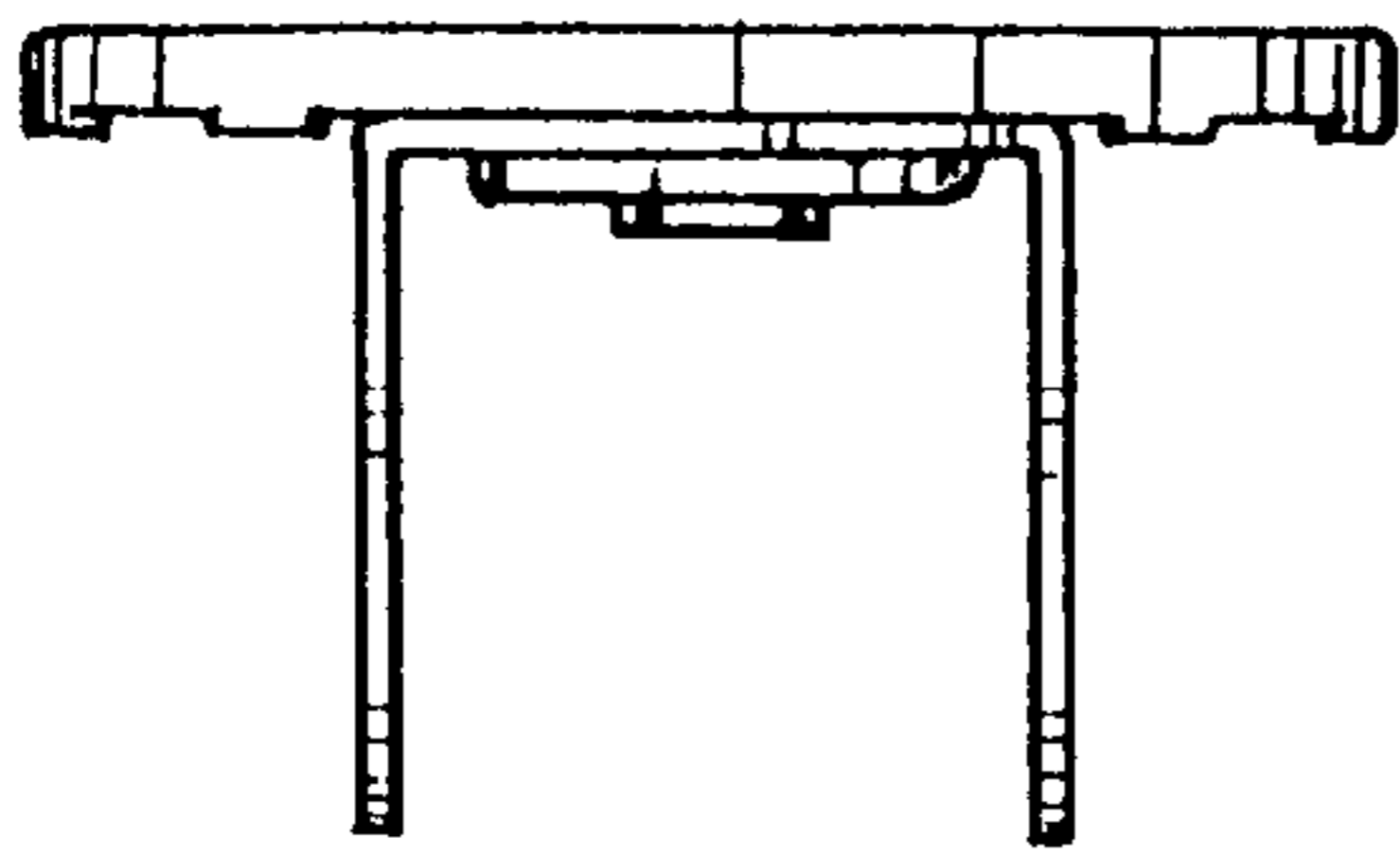


FIG. 46

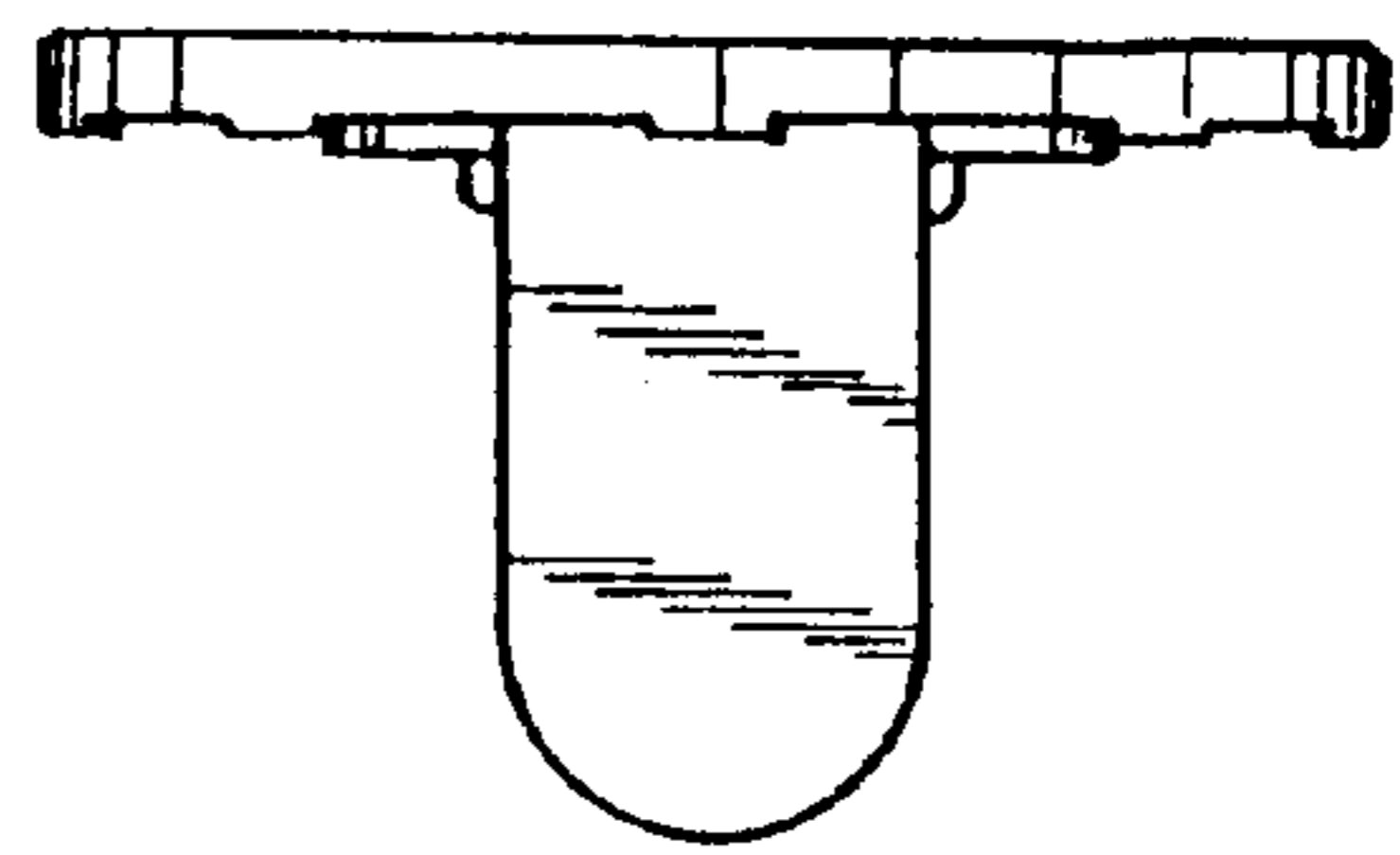


FIG. 47

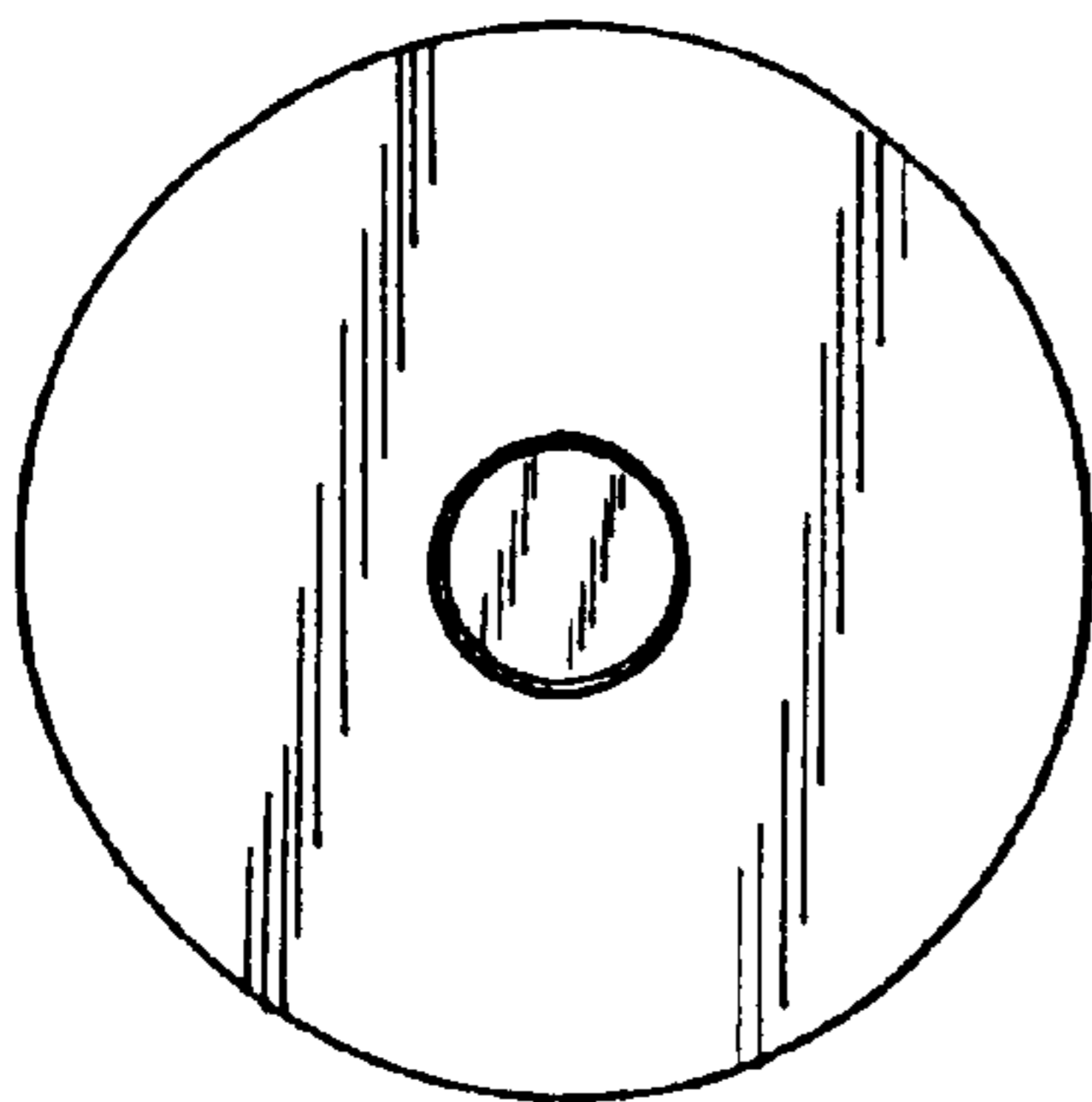


FIG. 48

