



US00D426763S

United States Patent [19]

Adler et al.

[11] Patent Number: Des. 426,763

[45] Date of Patent: ** Jun. 20, 2000

[54] PADLOCK

[75] Inventors: Ari Tao Adler, Cambridge; John Darrin Fiegenger, Mendon; Roy Alden Thompson, Mattapan; Joseph Robert Geringer, Melrose; Harry West, Lexington, all of Mass.

[73] Assignee: Master Lock Company, Milwaukee, Wis.

[**] Term: 14 Years

[21] Appl. No.: 29/099,508

[22] Filed: Jan. 22, 1999

[51] LOC (7) Cl. 08-07

[52] U.S. Cl. D8/334

[58] Field of Search D8/330, 331, 333, D8/334; 70/14, 20, 21, 31, 35, 36, 38 A, 38 R, 40, 41, 48

[56] References Cited

U.S. PATENT DOCUMENTS

8,318	8/1851	Tilton .	
116,972	7/1871	Madge .	
229,332	6/1880	Pease .	
439,635	11/1890	Bryant	70/48
536,196	3/1895	Edgar .	
587,609	8/1897	Roland .	
596,596	1/1898	Johnson .	
767,004	8/1904	Muchowicz .	
816,492	3/1906	Mohr .	
823,919	6/1906	Caldwell .	
952,643	3/1910	Roche .	
1,003,331	9/1911	Caldwell .	
1,062,594	5/1913	Isidor .	
1,103,015	7/1914	Andrus .	
1,153,405	9/1915	Rogers .	
1,172,970	2/1916	Fowler	70/20 X
1,463,768	7/1923	Wieland	70/48 X
1,490,453	4/1924	Caldwell .	
1,581,953	4/1926	Jackson .	
1,662,612	3/1928	Junkunc .	
3,260,079	7/1966	Caskey	70/25
3,267,707	8/1966	Adams	70/419

3,848,440	11/1974	Manuel	70/55
3,983,725	10/1976	Manuel et al.	70/55
4,134,280	1/1979	Pelavin	70/55
4,271,691	6/1981	Logan	70/422
4,297,861	11/1981	Dykes	70/55
4,317,344	3/1982	Barnard	70/55
4,519,226	5/1985	Hadaway	70/48
4,651,543	3/1987	Heald et al.	70/54
4,905,486	3/1990	Appelbaum	70/54
4,998,423	3/1991	Hsu	70/40
5,044,180	9/1991	Lebrecht	70/48
5,046,339	9/1991	Krell	70/55
5,921,123	7/1999	Schwarzkopf et al.	70/40 X

FOREIGN PATENT DOCUMENTS

24706	of 1910	United Kingdom .
270983	5/1927	United Kingdom .
571487	8/1945	United Kingdom .

Primary Examiner—Susan J. Lucas
Assistant Examiner—Jennifer Rivard
Attorney, Agent, or Firm—Pennie & Edmonds LLP

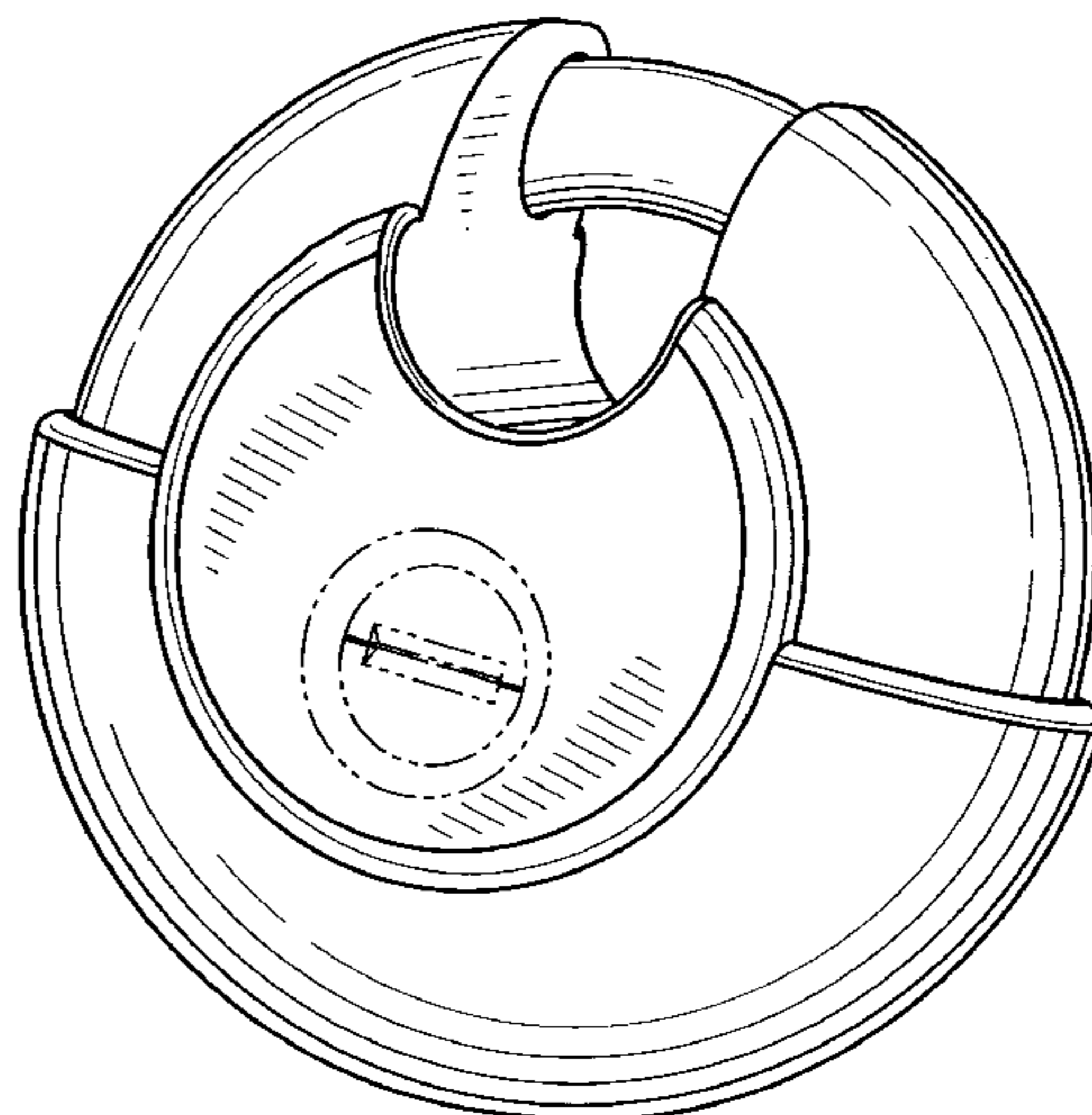
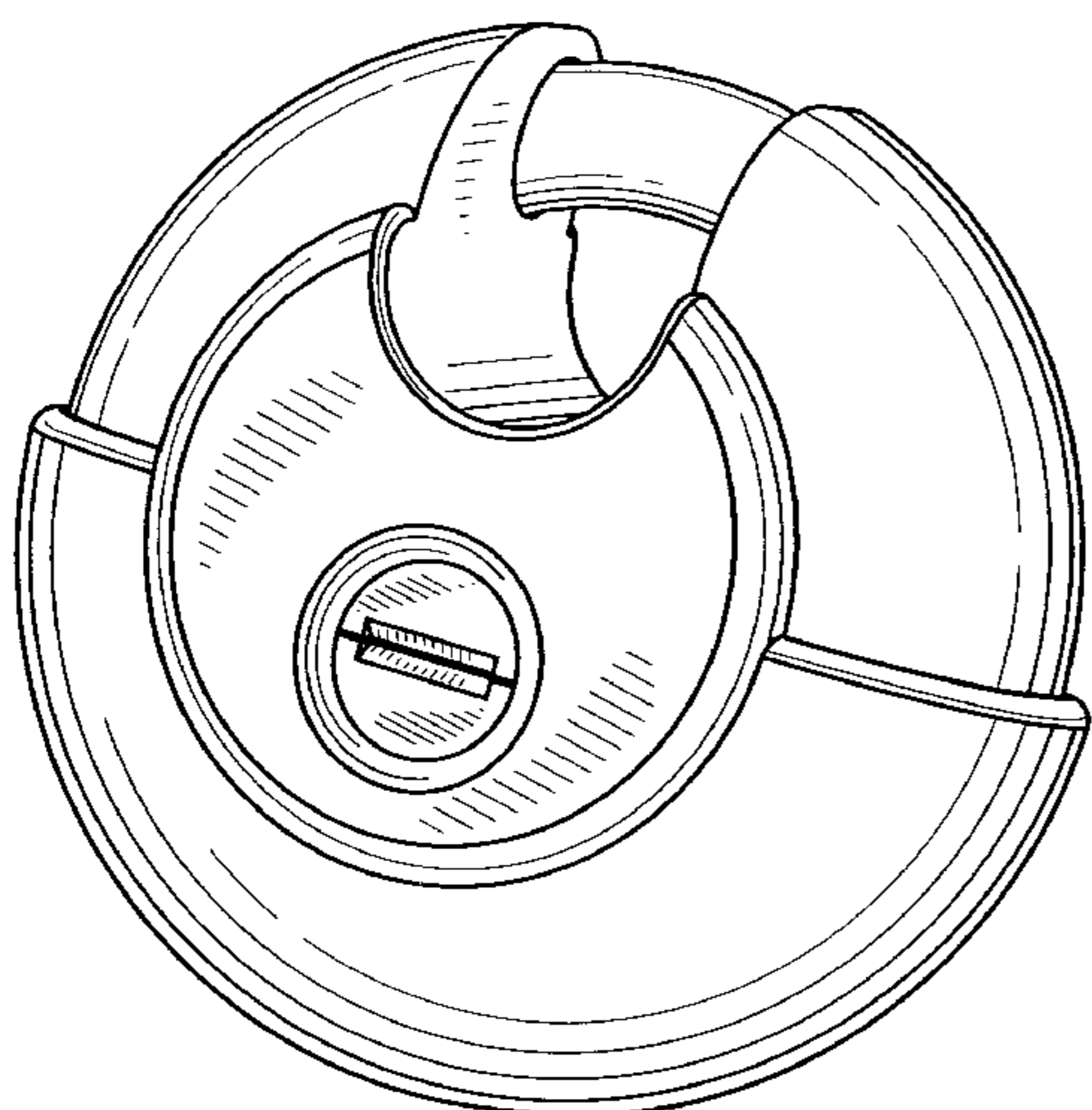
[57] CLAIM

The ornamental design for a padlock, as shown and described.

DESCRIPTION

FIG. 1 is a perspective view of a padlock showing our new design;
FIG. 2 is a front view thereof;
FIG. 3 is a back view thereof;
FIG. 4 is a left view thereof;
FIG. 5 is a right view thereof;
FIG. 6 is a top view thereof;
FIG. 7 is a bottom view thereof.
FIG. 8 is a perspective view of an alternative embodiment of our new design; and,
FIG. 9 is a front view thereof.
The back, left, right, top and bottom views of the alternative embodiment are the same as FIGS. 3–7 of the first embodiment, respectively. The portions shown in phantom lines are not part of the claimed invention, but are included to show environment.

1 Claim, 5 Drawing Sheets



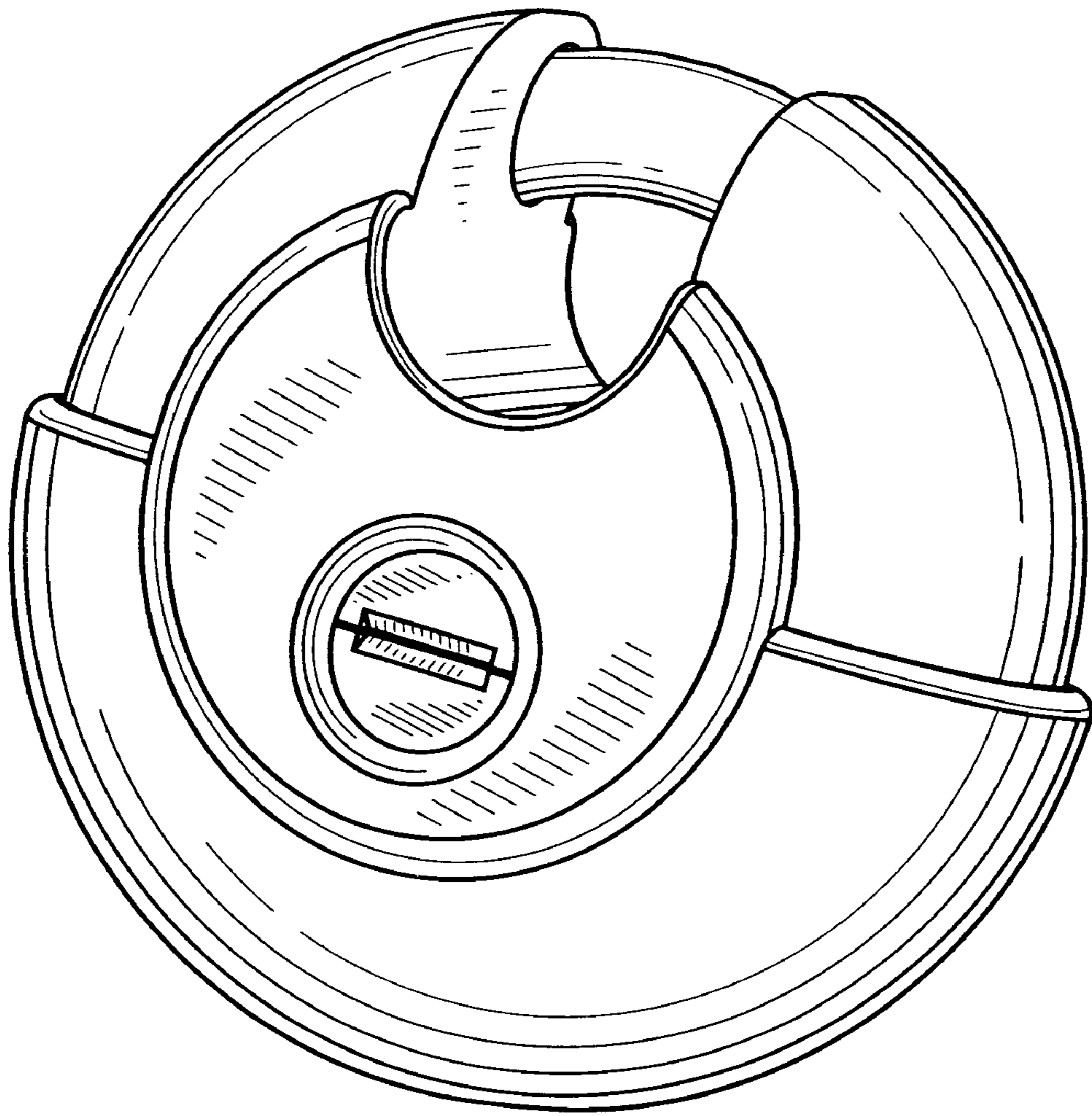


FIG. 1

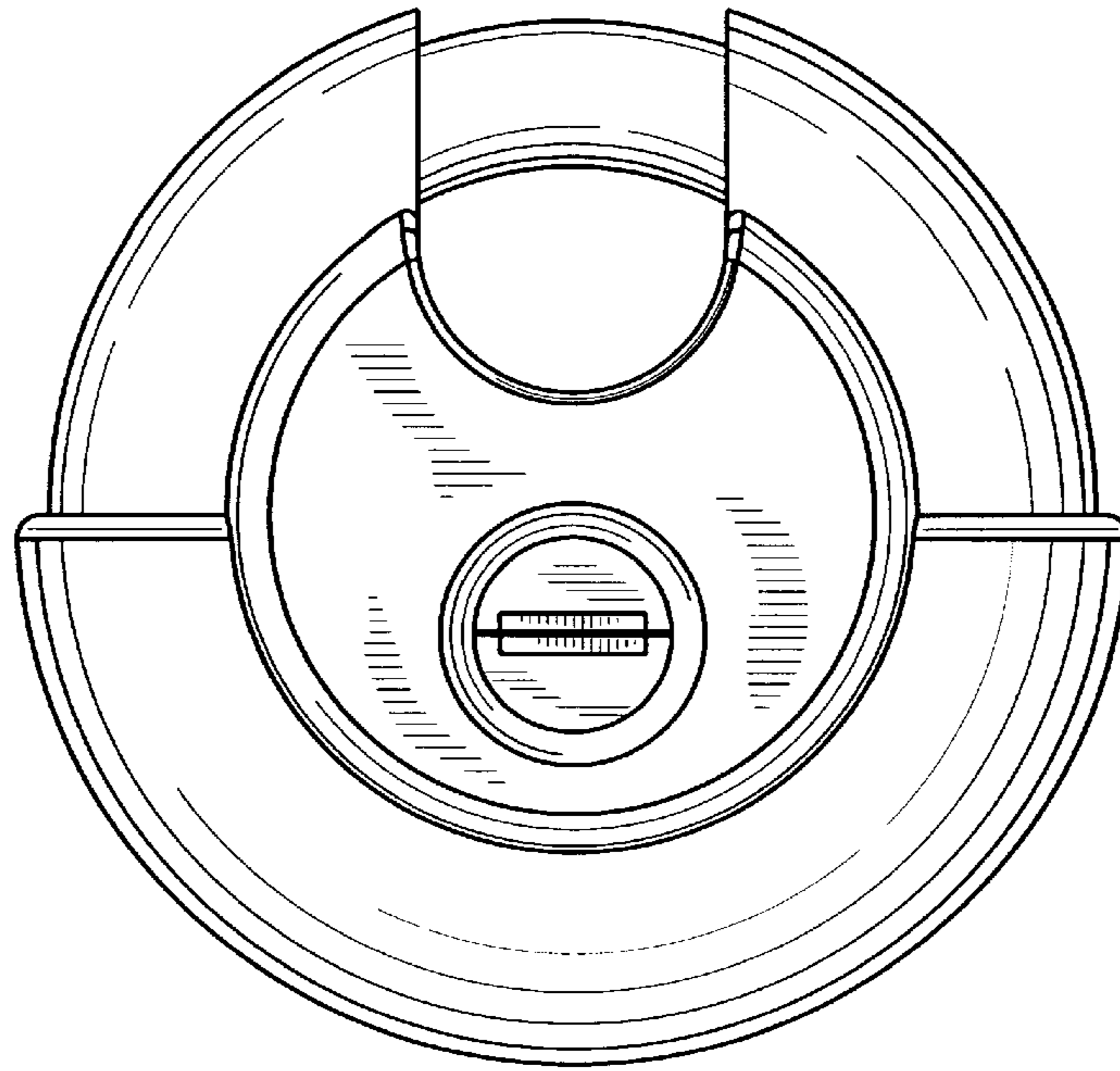


FIG. 2

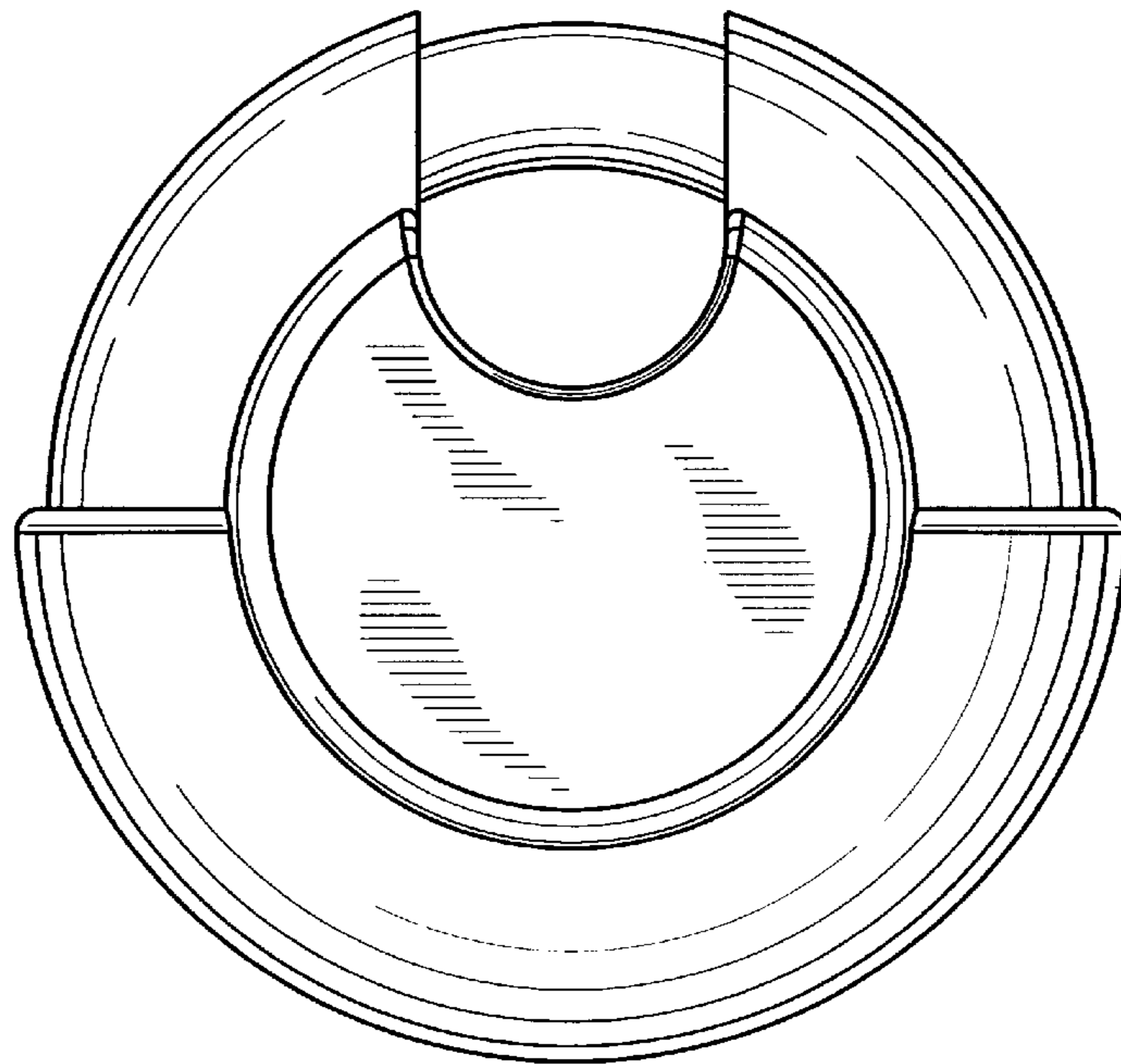


FIG. 3

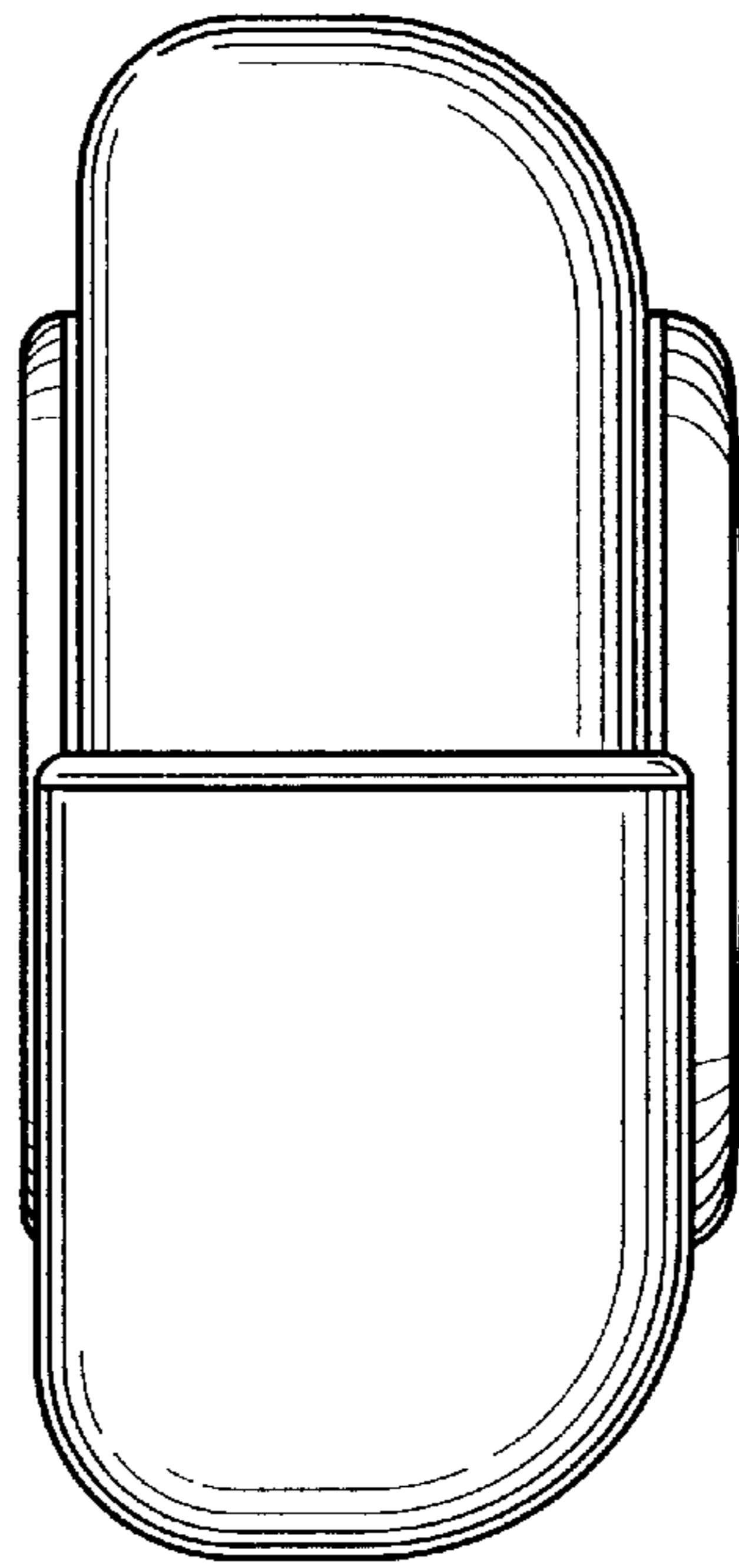


FIG. 4

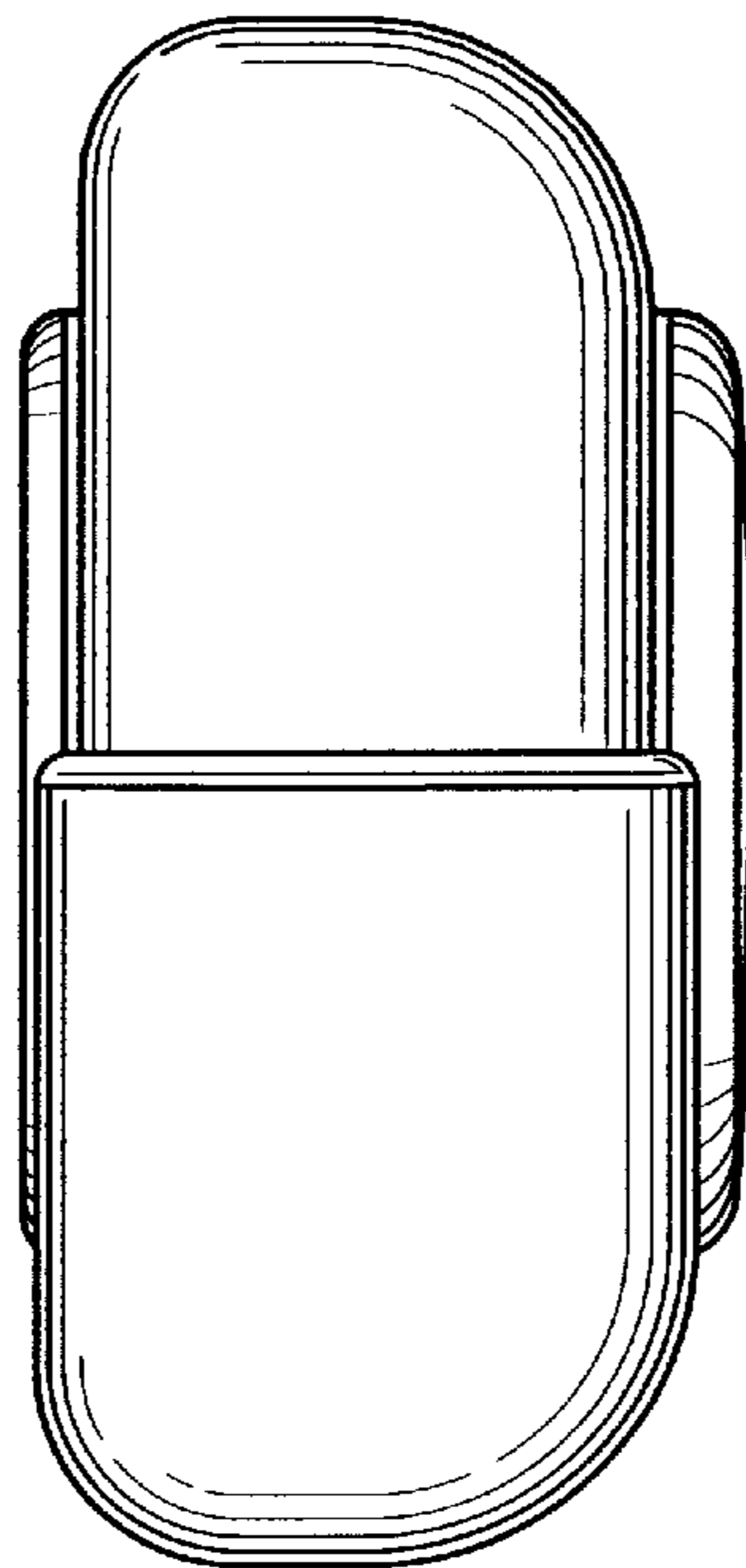


FIG. 5

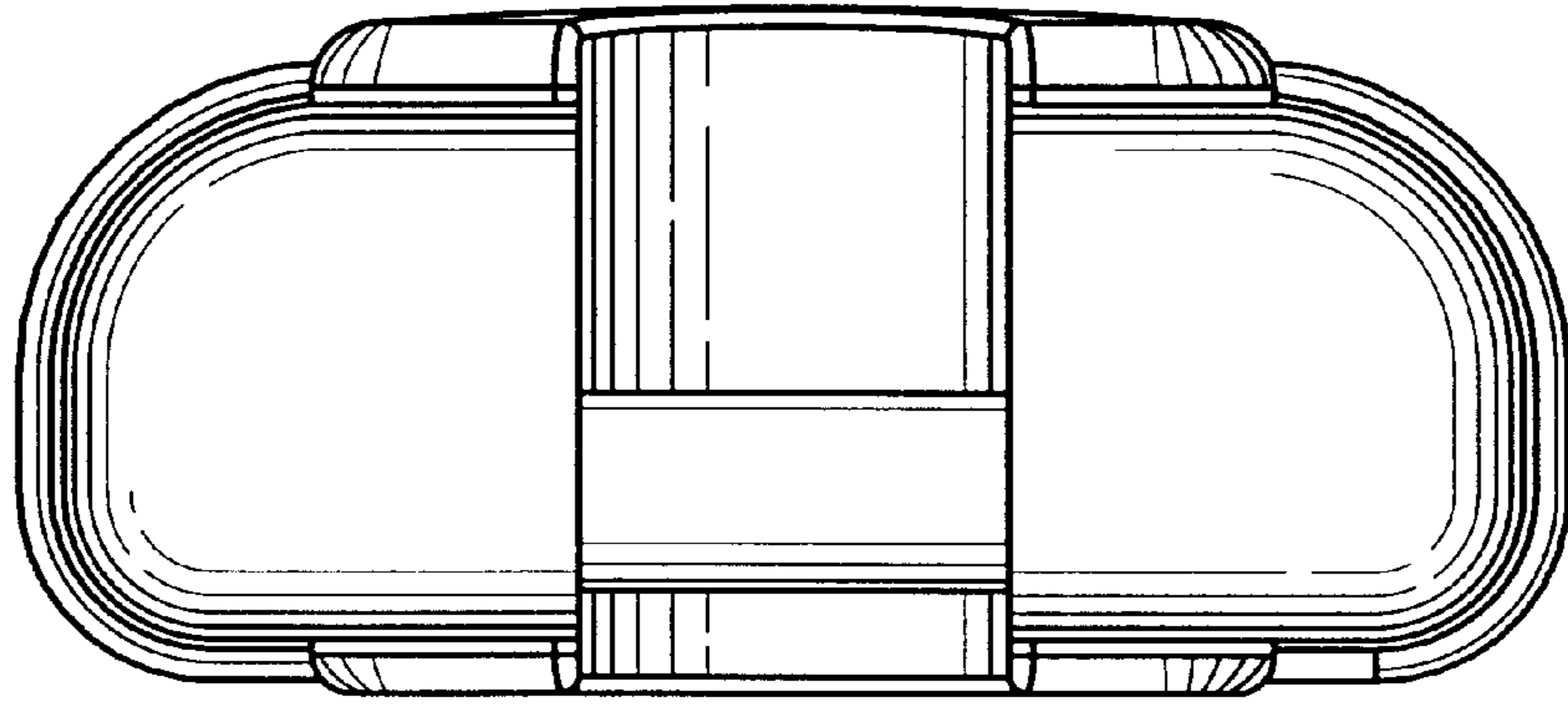


FIG. 6



FIG. 7

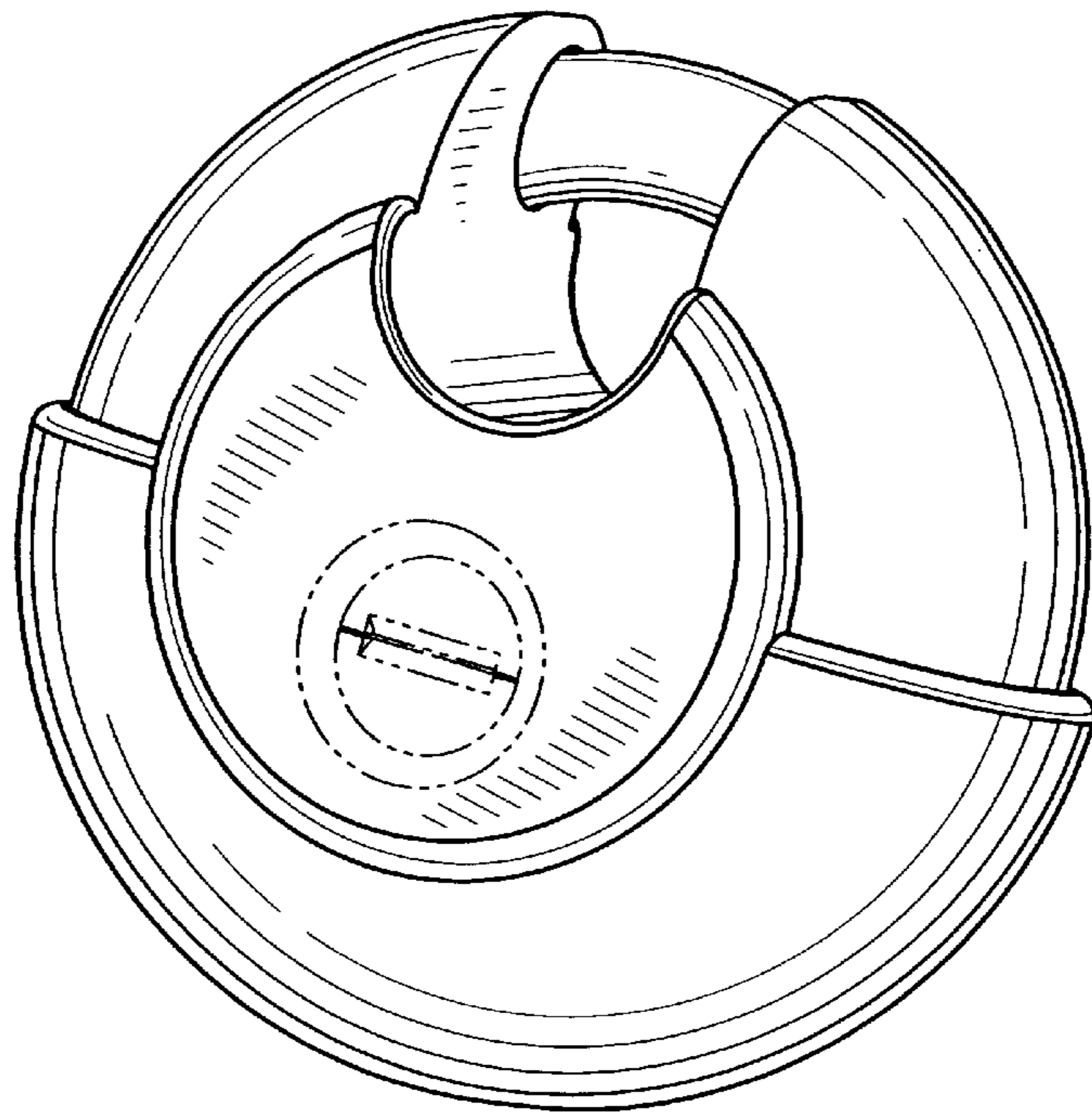


FIG. 8

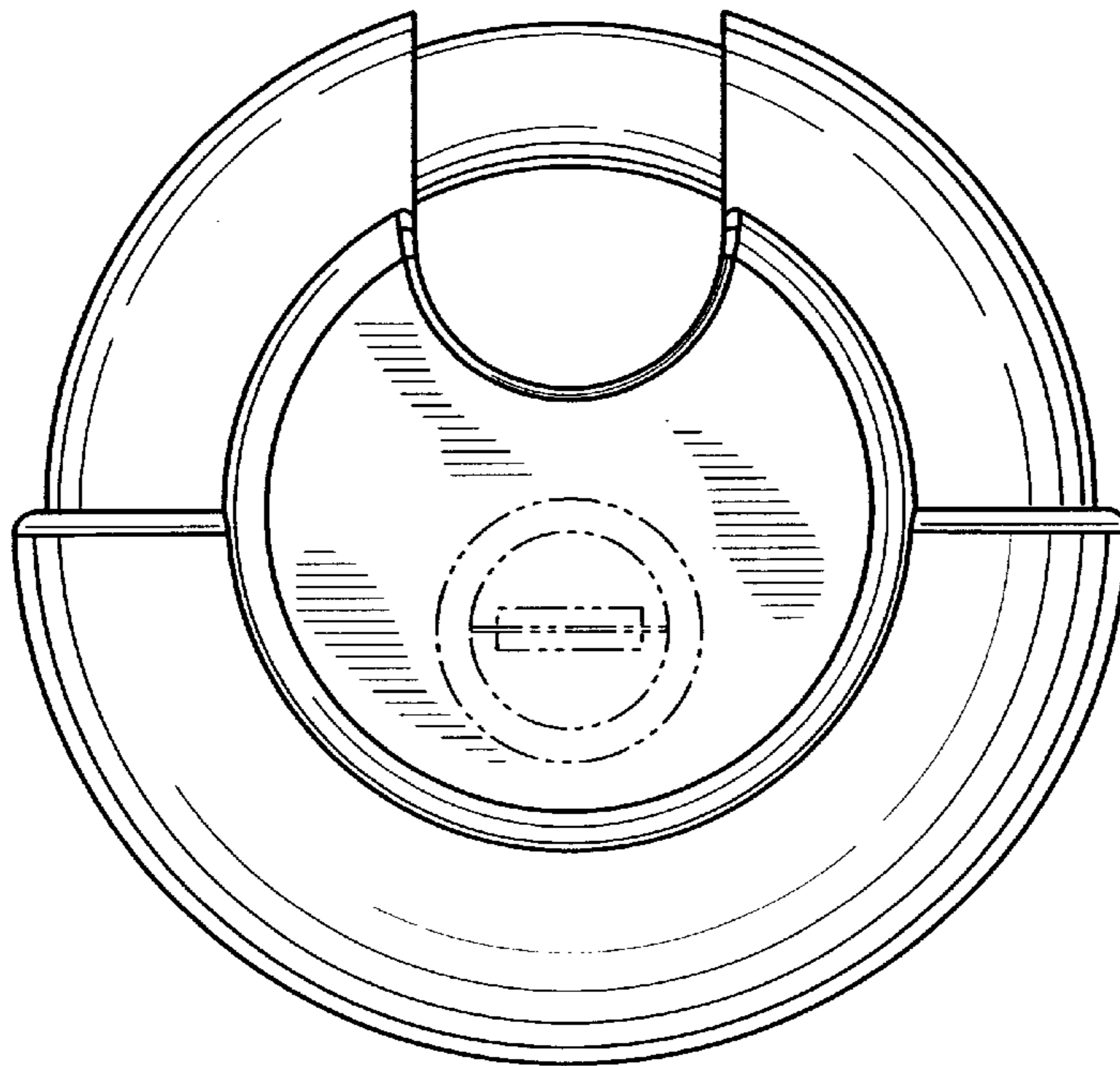


FIG. 9