



US00D426760S

# United States Patent [19] Schultz

[11] Patent Number: **Des. 426,760**  
[45] Date of Patent: **\*\* Jun. 20, 2000**

[54] **POWERED HAND-HELD DRILL DRIVER WITH SIDE HANDLE**

[75] Inventor: **William H. Schultz**, Northbrook, Ill.

[73] Assignee: **S-B Power Tool Co.**, Chicago, Ill.

[\*\*] Term: **14 Years**

[21] Appl. No.: **29/109,519**

[22] Filed: **Aug. 13, 1999**

[51] **LOC (7) Cl.** ..... **08-05**

[52] **U.S. Cl.** ..... **D8/68; D8/61**

[58] **Field of Search** ..... D8/61, 62, 70, D8/82, 83, 86, 107, DIG. 7; 81/54, 55, 57, 57.11, 57.14, 177.1, 177.85, 409, 436, 900, 439, 901; 173/170, 13, 19, 171, 213, 217; 451/344, 354, 357-359, 458

[56] **References Cited**

**U.S. PATENT DOCUMENTS**

D. 279,862	7/1985	Sato et al. ....	D8/61
D. 326,400	5/1992	Fushiya et al. ....	D8/68
D. 368,214	3/1996	Zurwelle ....	D8/68

D. 378,268	3/1997	Schultz .....	D8/68
D. 396,177	7/1998	Schultz .....	D8/68
D. 409,467	5/1999	Chung .....	D8/68
4,803,904	2/1989	Stanich et al. ....	81/54
5,094,133	3/1992	Schreiber .....	81/474
5,230,261	7/1993	Akazawa et al. ....	81/54

*Primary Examiner*—Martie K. Holtje  
*Attorney, Agent, or Firm*—Leo H McCormick, Jr.; Warren Comstock

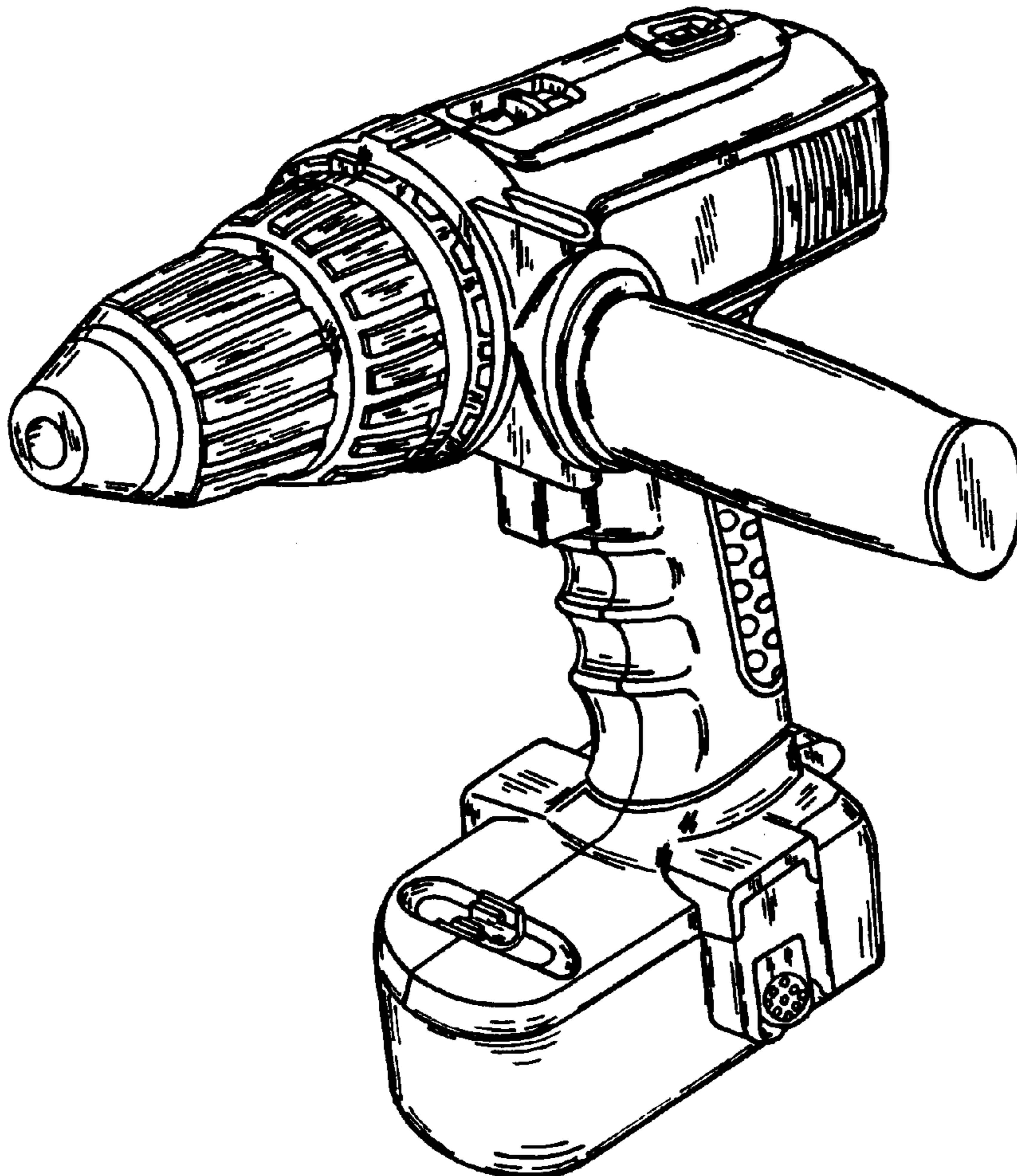
[57] **CLAIM**

The ornamental design for a powered hand-held drill driver with side handle, as shown and described.

**DESCRIPTION**

FIG. 1 is a right front perspective view of a powered hand-held drill driver with side handle showing my new design;  
FIG. 2 is a right side elevation view thereof;  
FIG. 3 is a top plan view thereof;  
FIG. 4 is a front elevation view thereof;  
FIG. 5 is a rear elevation view thereof;  
FIG. 6 is a left side elevation view thereof; and,  
FIG. 7 is a bottom plan view thereof.

**1 Claim, 3 Drawing Sheets**



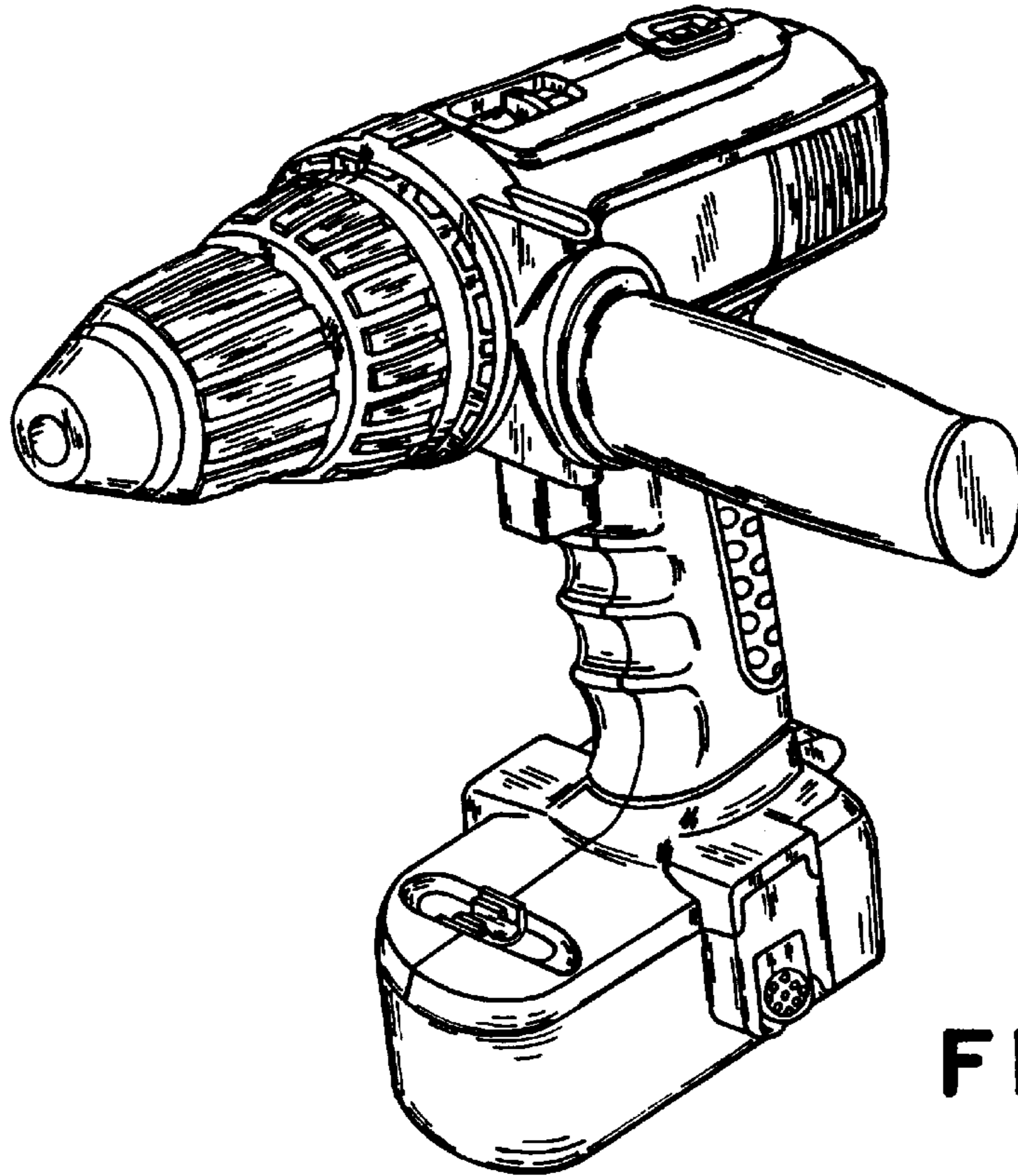


FIG. 1

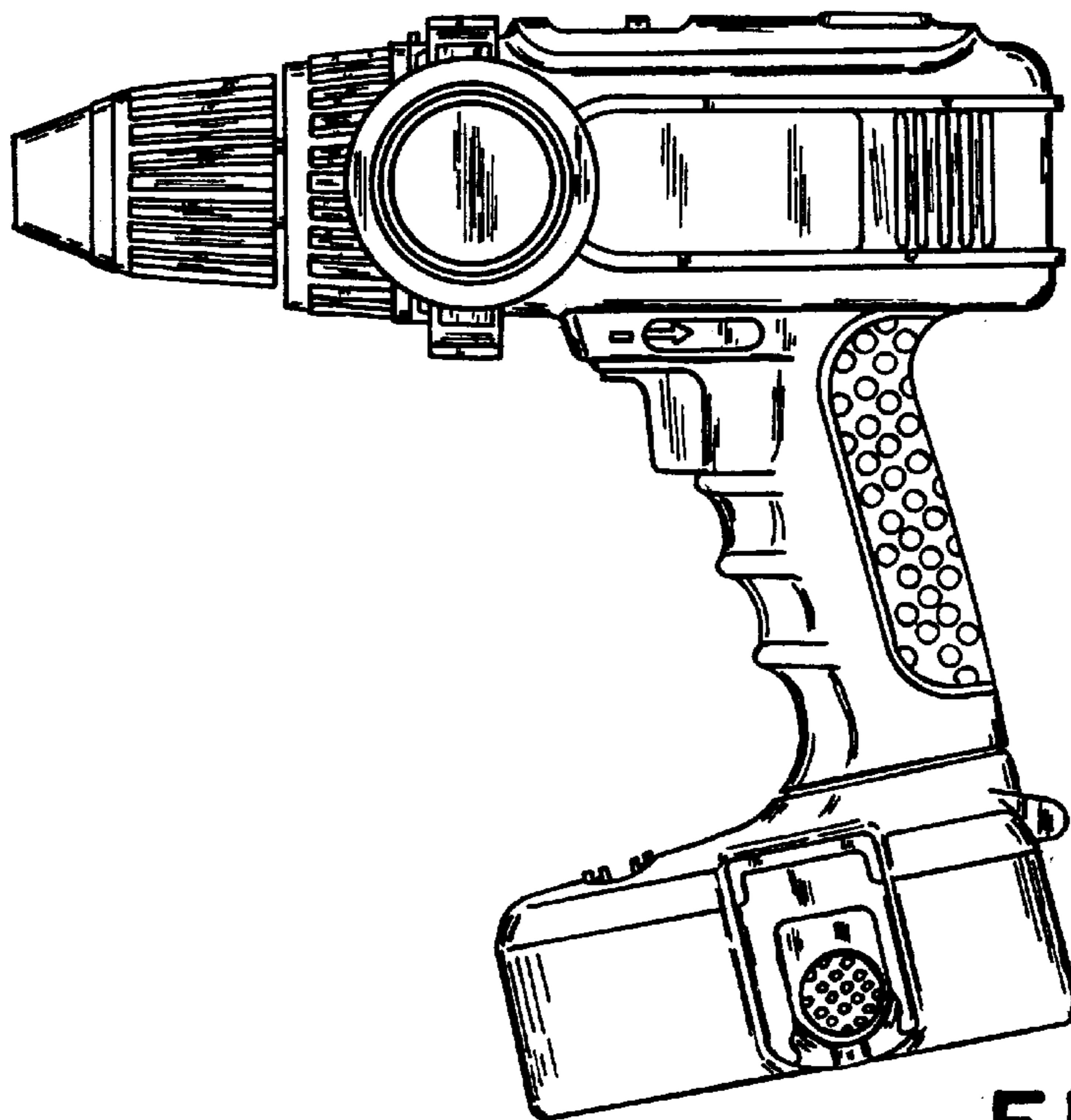


FIG. 2

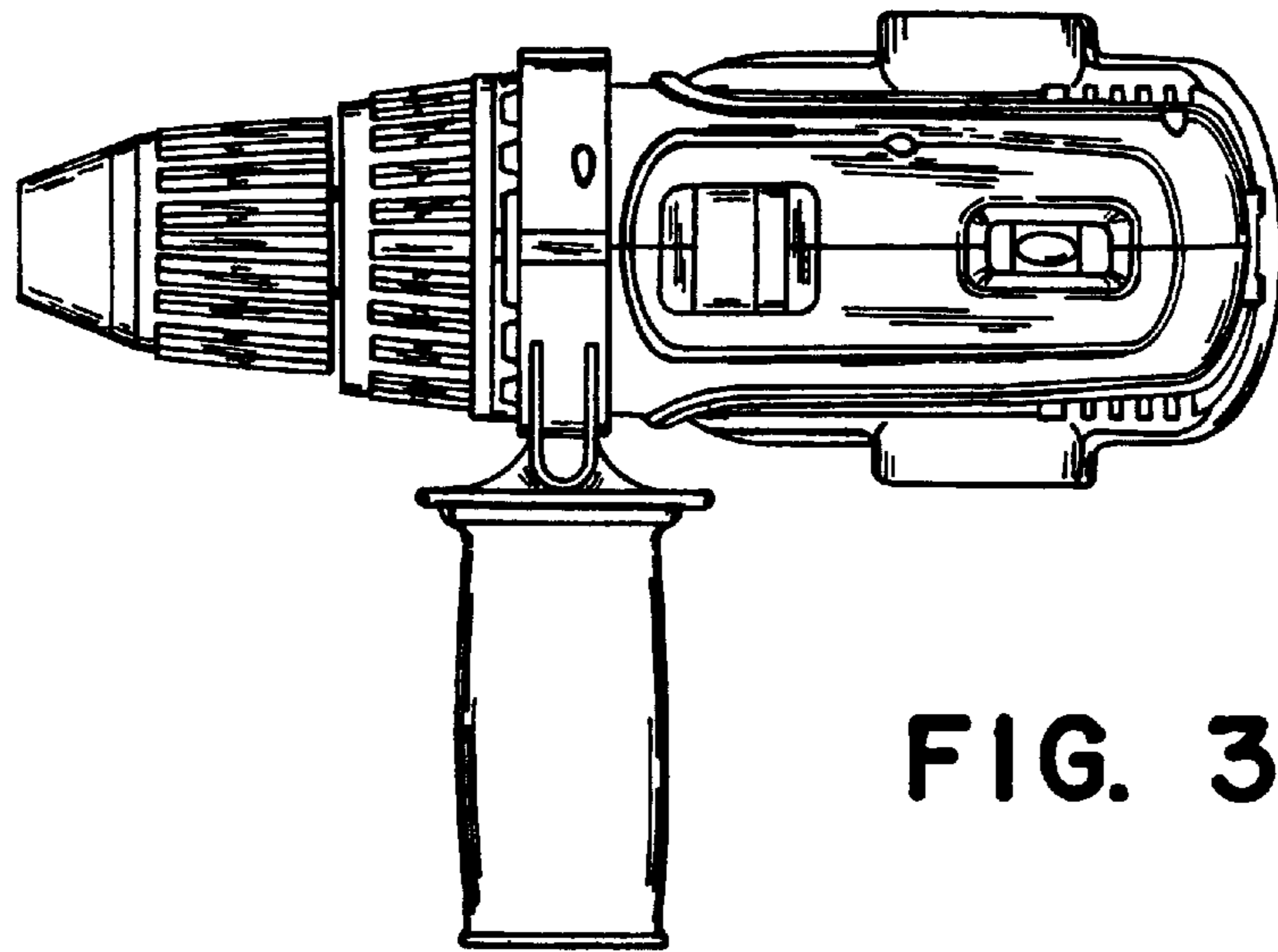


FIG. 3

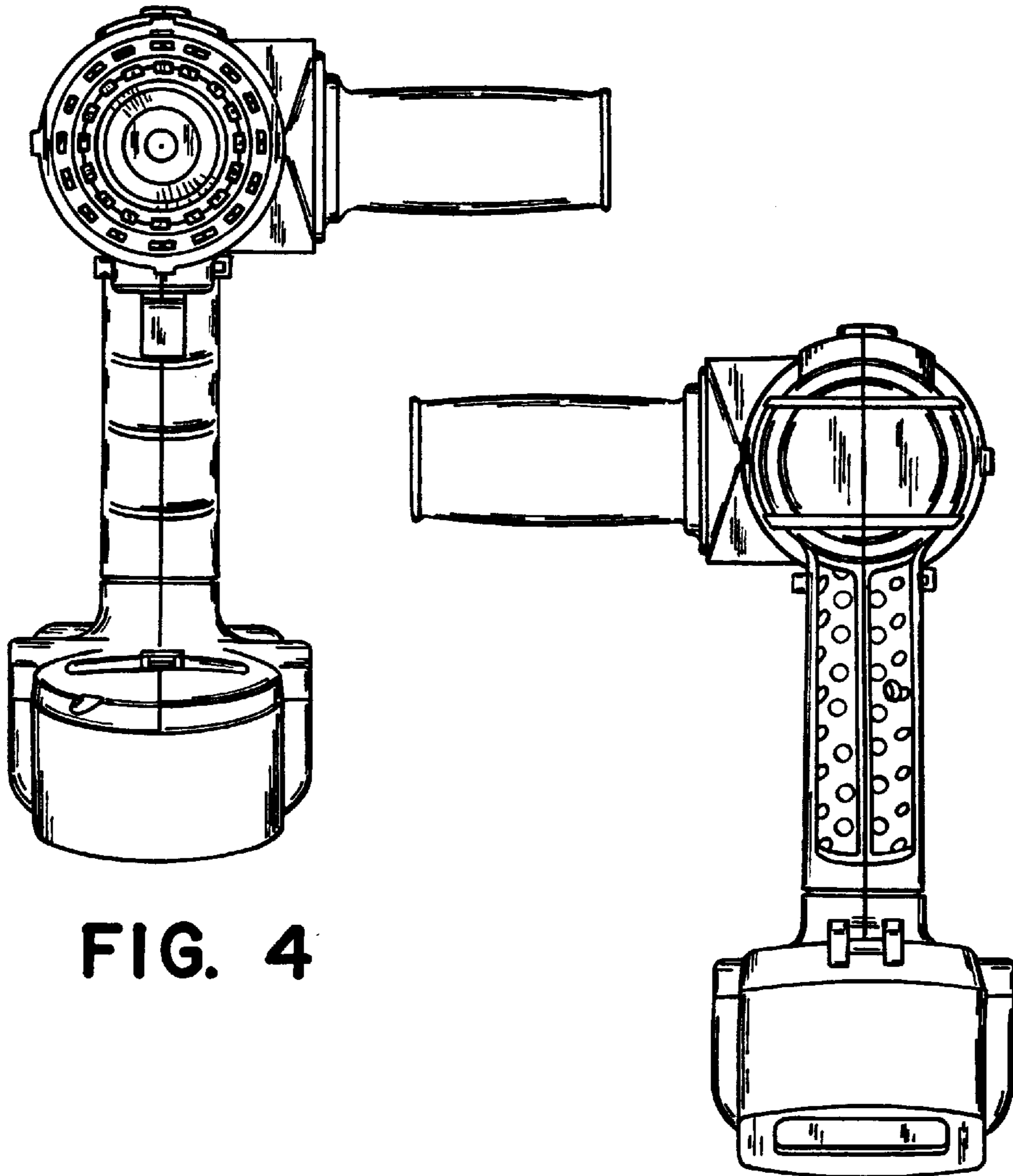


FIG. 4

FIG. 5

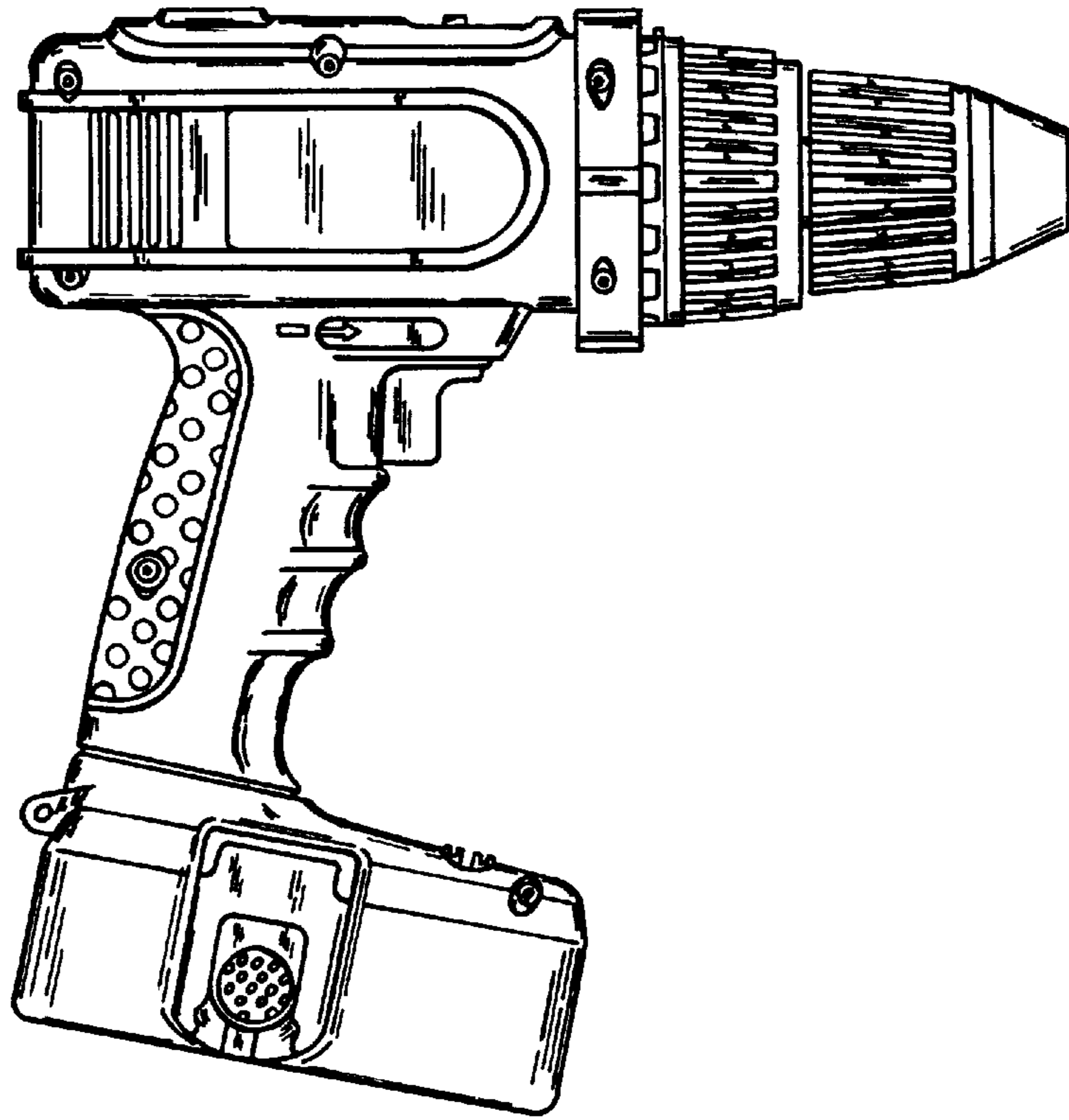


FIG. 6

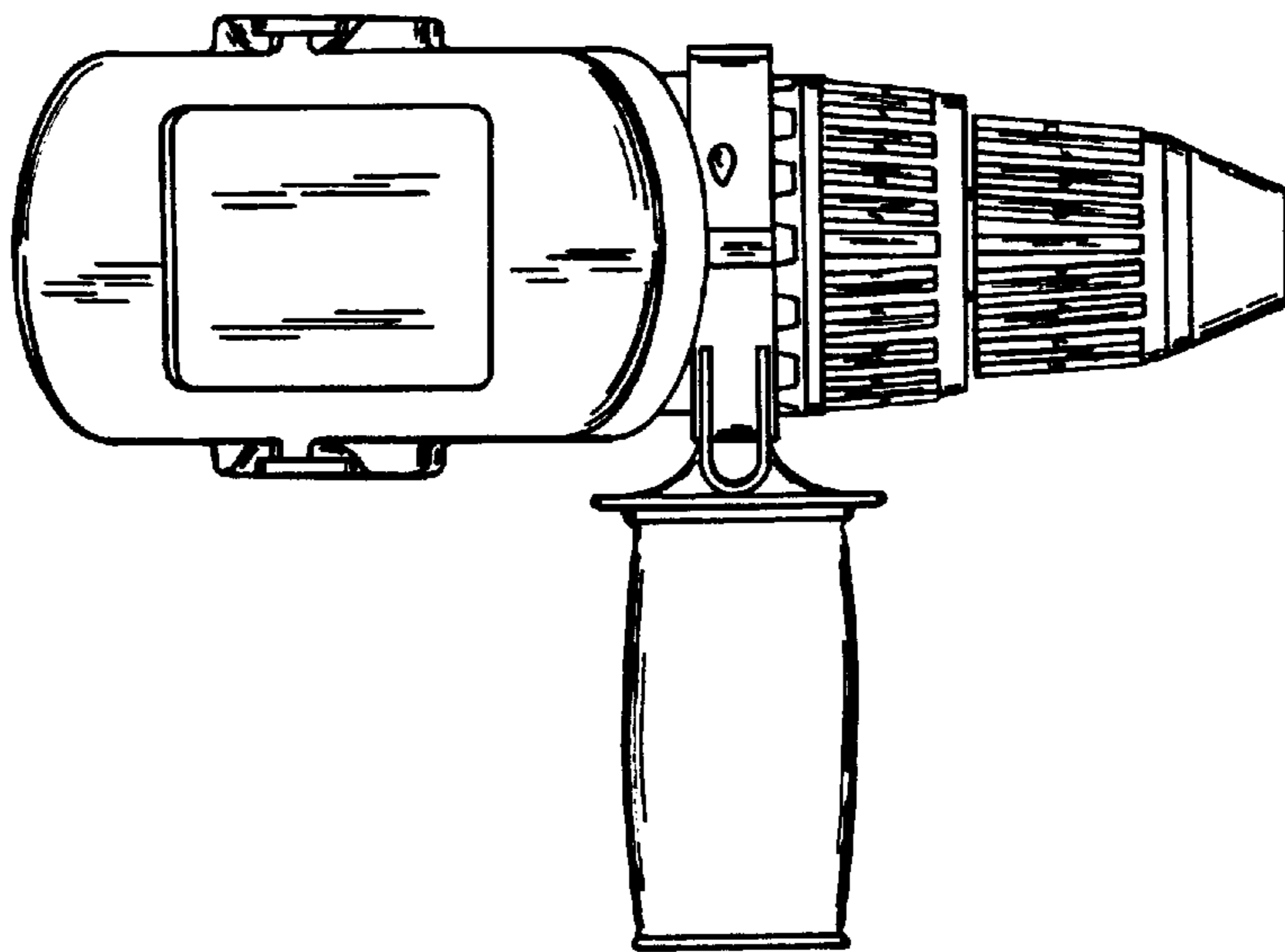


FIG. 7