



US00D426759S

United States Patent [19]

Zurwelle et al.

[11] Patent Number: **Des. 426,759**

[45] Date of Patent: **** Jun. 20, 2000**

[54] **HOUSING FOR A CIRCULAR SAW**

[75] Inventors: **Donald W. Zurwelle**, Lutherville, Md.;
Bruce M. Waters, Lancaster, Pa.;
Brand L. Hollinger, Lancaster, Pa.;
Meyric K. Rogers, Lancaster, Pa.

[73] Assignee: **Black & Decker Inc.**, Newark, Del.

[**] Term: **14 Years**

[21] Appl. No.: **29/112,889**

[22] Filed: **Oct. 26, 1999**

Related U.S. Application Data

[62] Division of application No. 29/096,998, Nov. 24, 1998, Pat. No. Des. 421,885, which is a continuation of application No. 29/083,521, Feb. 6, 1998, Pat. No. Des. 408,248.

[51] **LOC (7) Cl.** **08-03**

[52] **U.S. Cl.** **D8/66**

[58] **Field of Search** D8/66; 30/375-377,
30/388-391

[56] **References Cited**

U.S. PATENT DOCUMENTS

D. 329,323	9/1992	Saski et al.	D8/66
D. 378,488	3/1997	Ito et al.	D8/66
5,758,425	6/1998	Gallagher et al.	30/376
5,794,351	9/1992	Campbell et al.	30/390

Primary Examiner—Antoine Duval Davis
Attorney, Agent, or Firm—Adan Ayala

[57] **CLAIM**

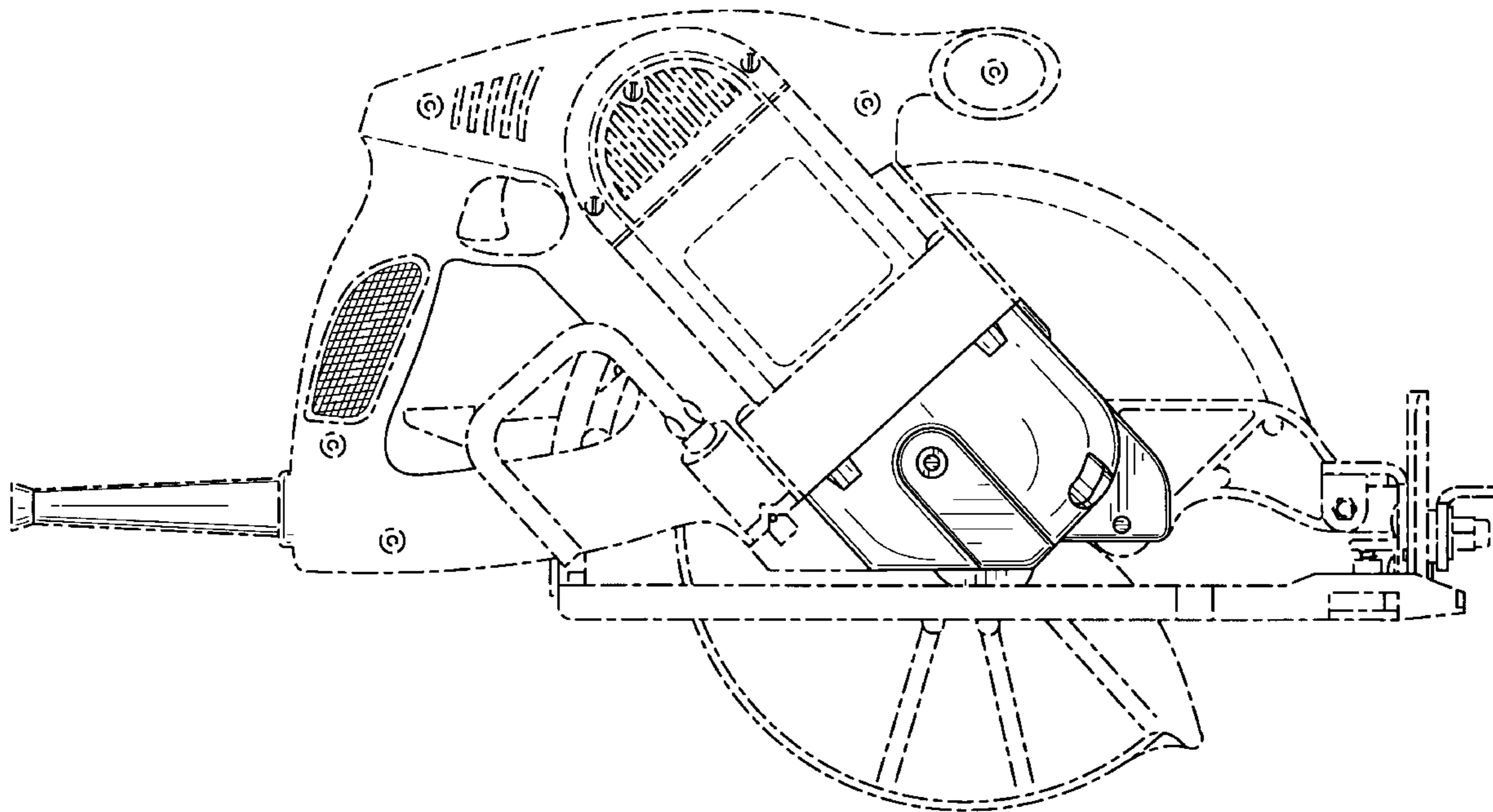
The ornamental design for a housing for a circular saw, as shown and described.

DESCRIPTION

FIG. 1 is a left side elevational view of a circular saw showing my new design; FIG. 2 is a front elevational view of the circular saw; and, FIG. 3 is a top plan view of the circular saw.

In the attached drawings, any broken line illustration is not part of the design sought to be patented.

1 Claim, 3 Drawing Sheets



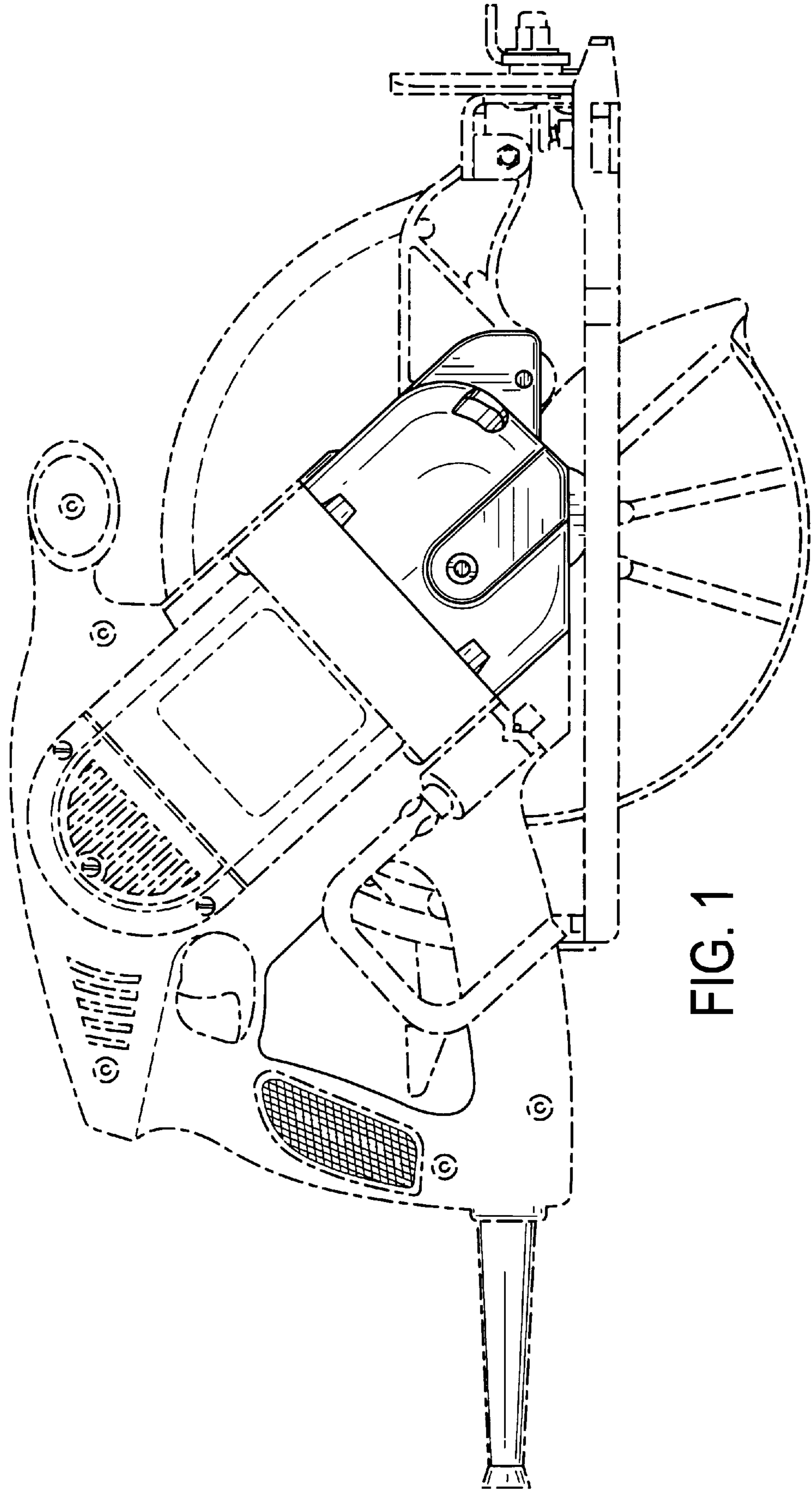


FIG. 1

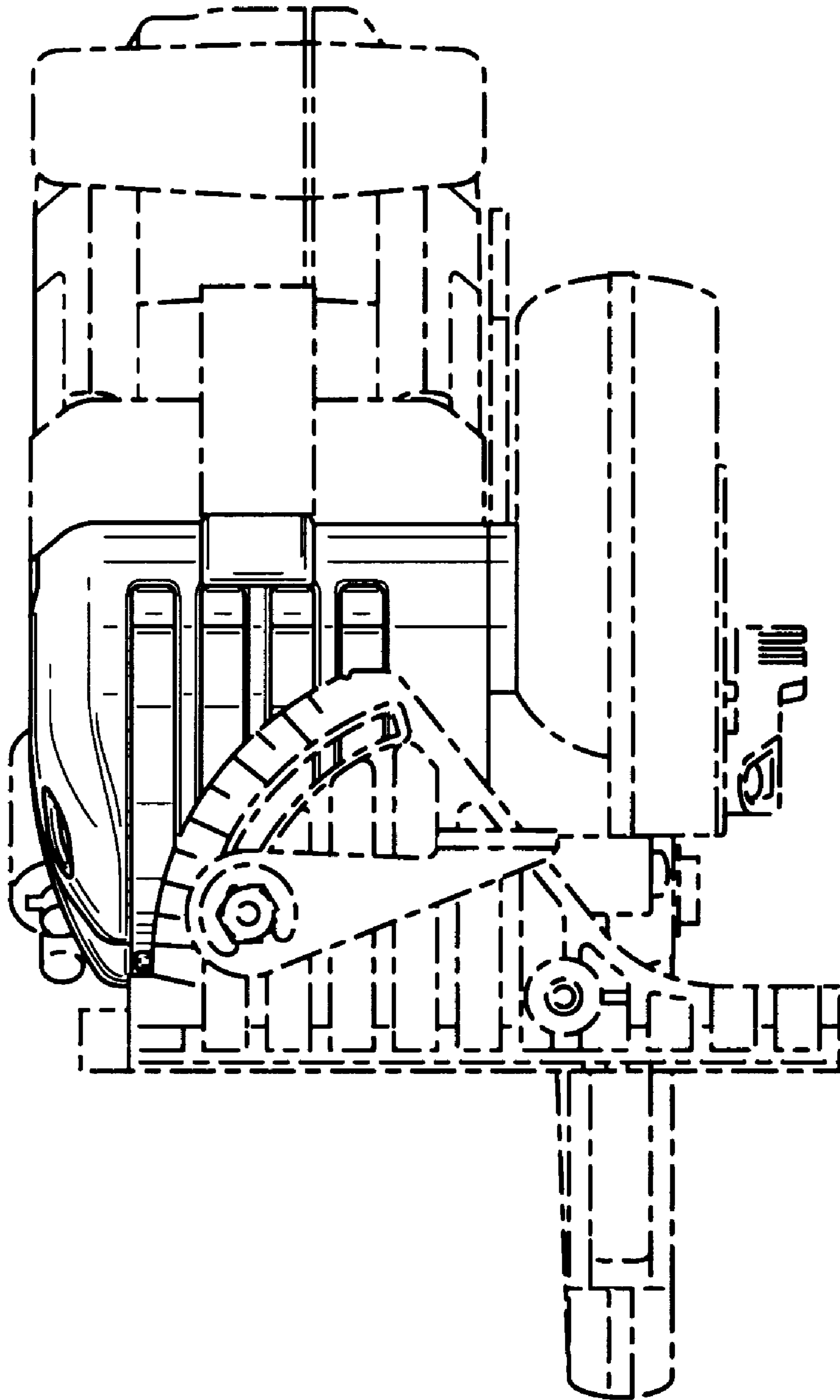


FIG. 2

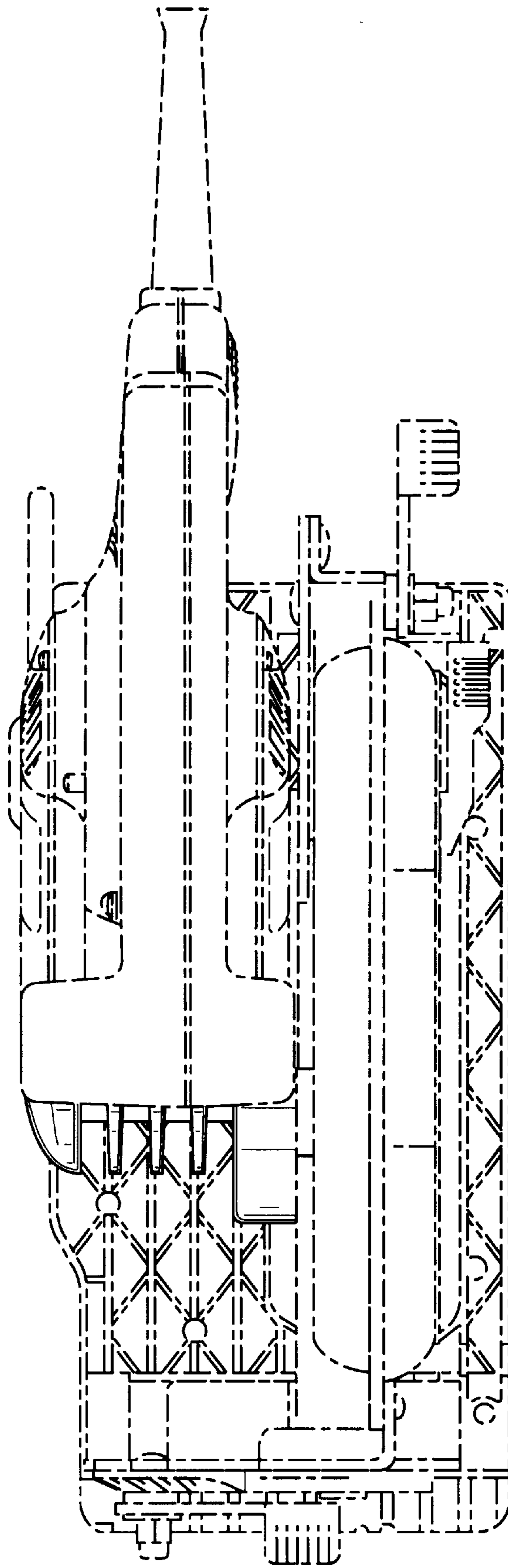


FIG. 3