



US00D426756S

United States Patent [19] Hurst

[11] **Patent Number: Des. 426,756**

[45] **Date of Patent: ** Jun. 20, 2000**

[54] **GARDEN SHEARS**

[75] Inventor: **Charles Hurst**, Sheffield, United Kingdom

[73] Assignee: **James Neill Holdings Limited**, United Kingdom

[**] Term: **14 Years**

[21] Appl. No.: **29/110,473**

[22] Filed: **Sep. 8, 1999**

[30] **Foreign Application Priority Data**

Mar. 12, 1999 [GB] United Kingdom 2081922

[51] **LOC (7) Cl.** **08-01**

[52] **U.S. Cl.** **D8/5; D8/107**

[58] **Field of Search** D8/1, 4, 5, 52, D8/107; 30/287, 261, 252; 81/427.5

[56] **References Cited**

U.S. PATENT DOCUMENTS

D. 256,767 9/1980 Irelan D8/1

D. 269,401 6/1983 Pittaway D8/5
D. 309,409 7/1990 Kiernan D8/4
D. 406,520 3/1999 Bunzel et al. D8/107

Primary Examiner—Robin V. Taylor
Attorney, Agent, or Firm—Trexler, Bushnell, Giangiorgi & Blackstone, Ltd.

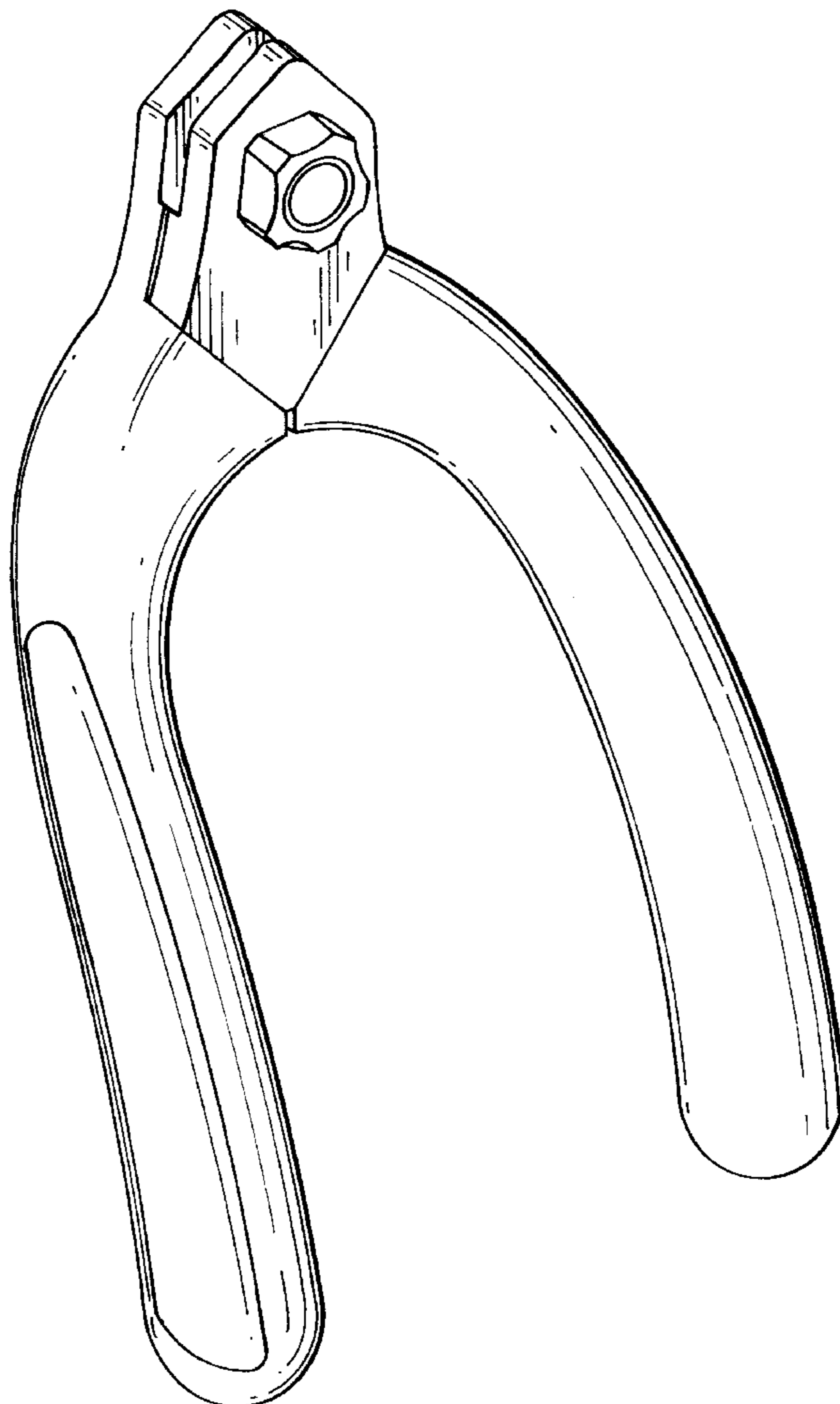
[57] **CLAIM**

The ornamental design for garden shears, as shown and described.

DESCRIPTION

FIG. 1 is a perspective view of garden shears showing my new design;
FIG. 2 is a top plan view of the garden shears;
FIG. 3 is a bottom plan view of the garden shears;
FIG. 4 is a left side elevational view of the garden shears;
FIG. 5 is a right side elevational view of the garden shears;
FIG. 6 is a front side elevational view of the garden shears;
and,
FIG. 7 is a rear side elevational view of the garden shears.

1 Claim, 5 Drawing Sheets



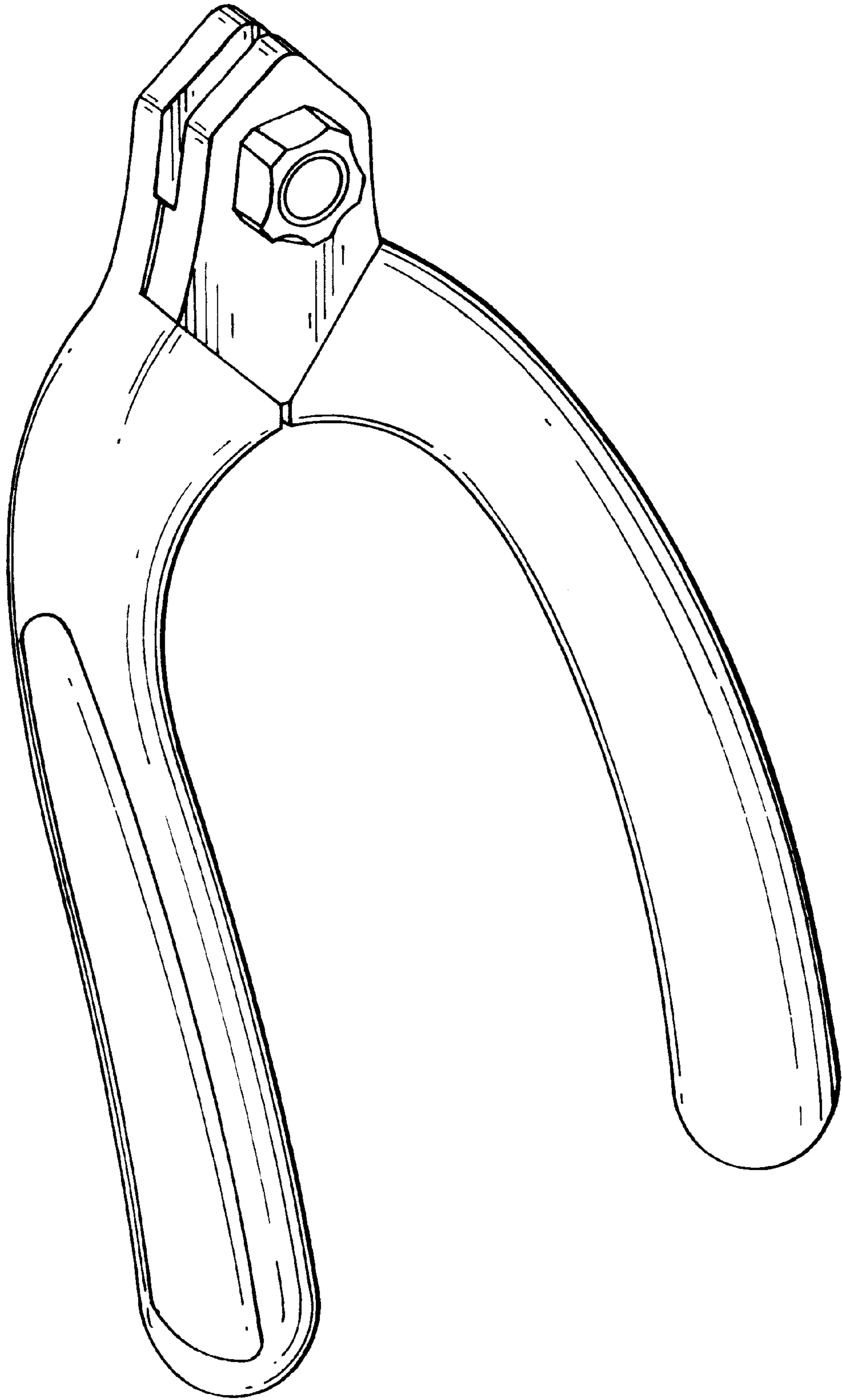


Fig. 1

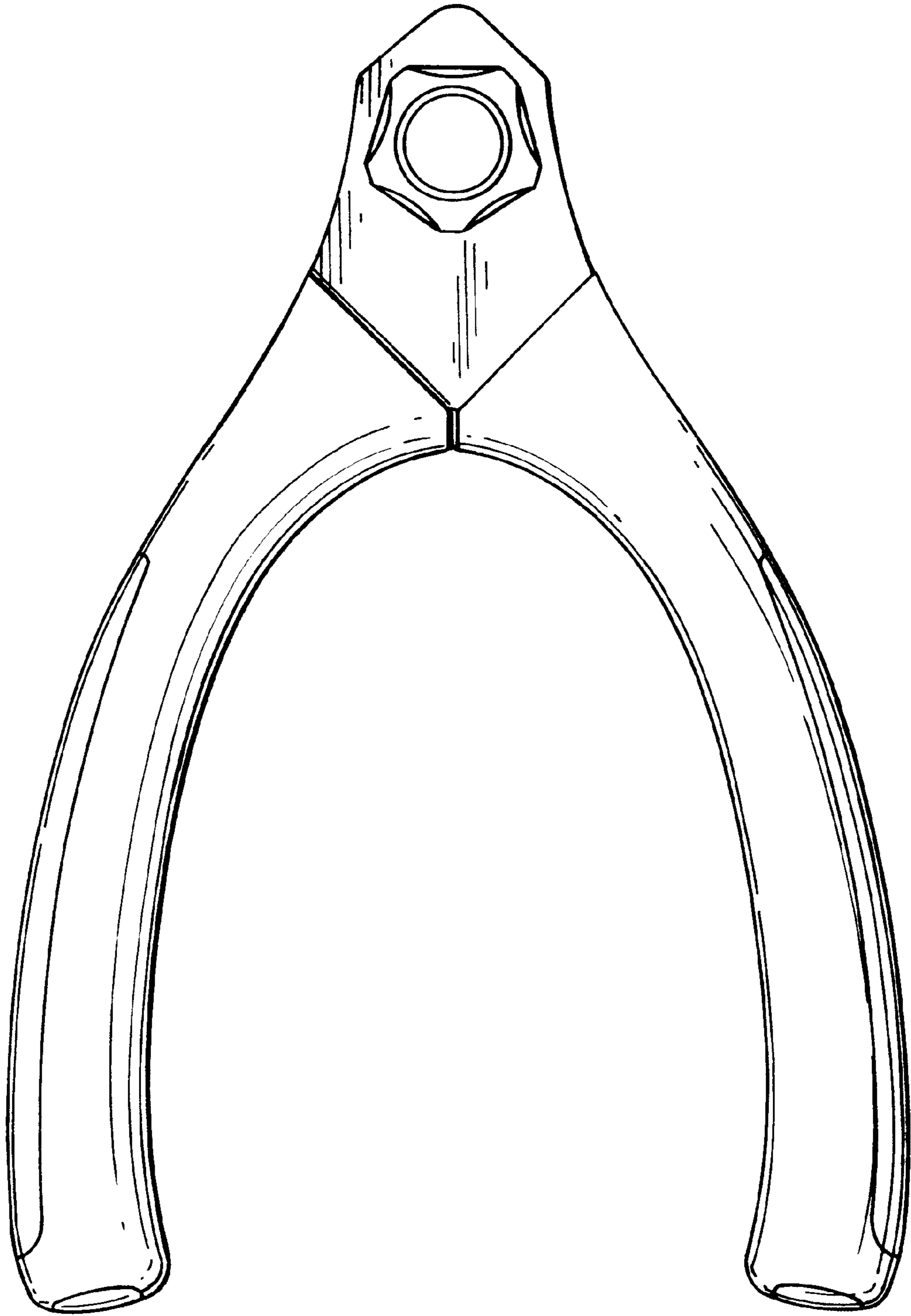


Fig. 2

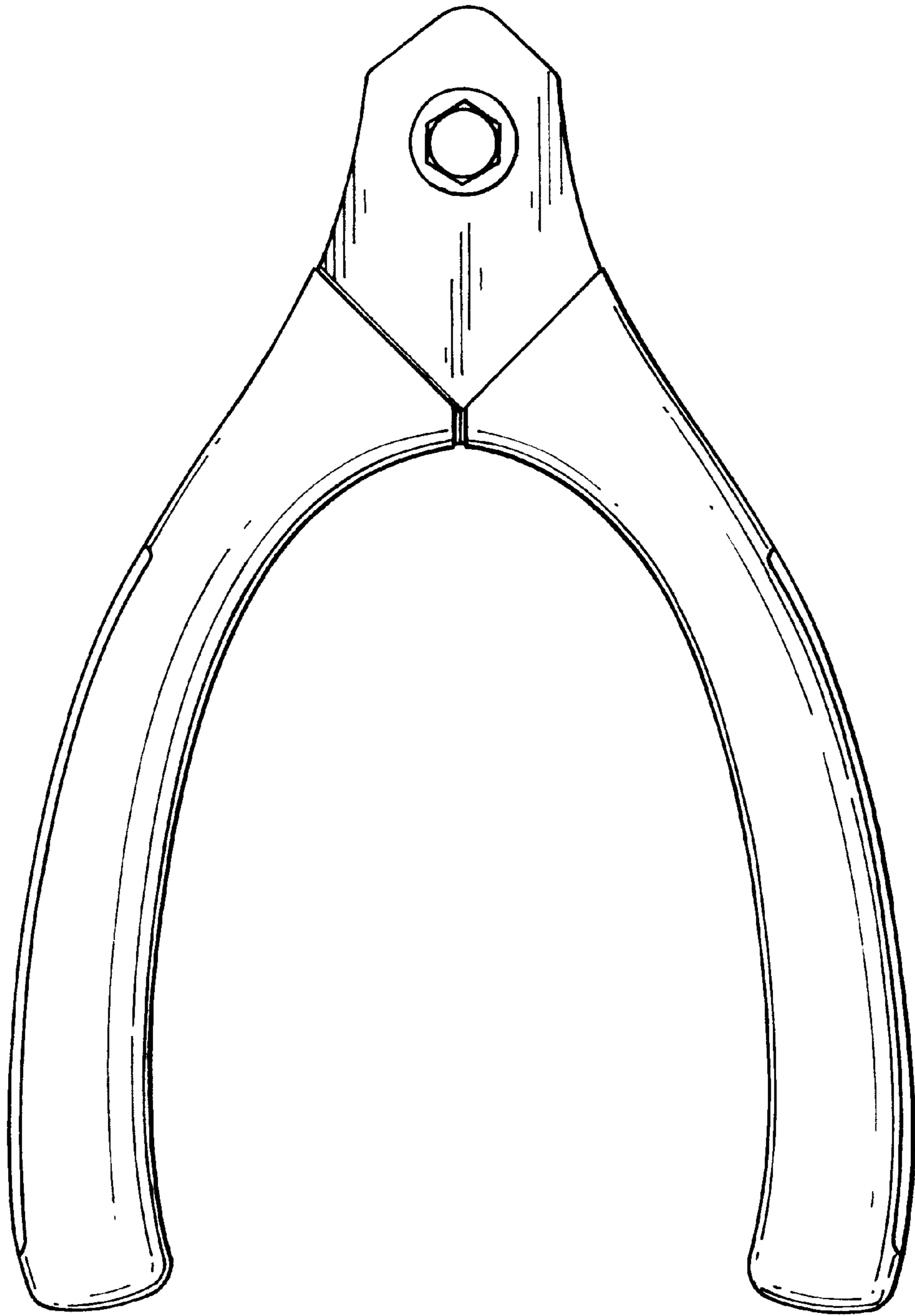


Fig. 3

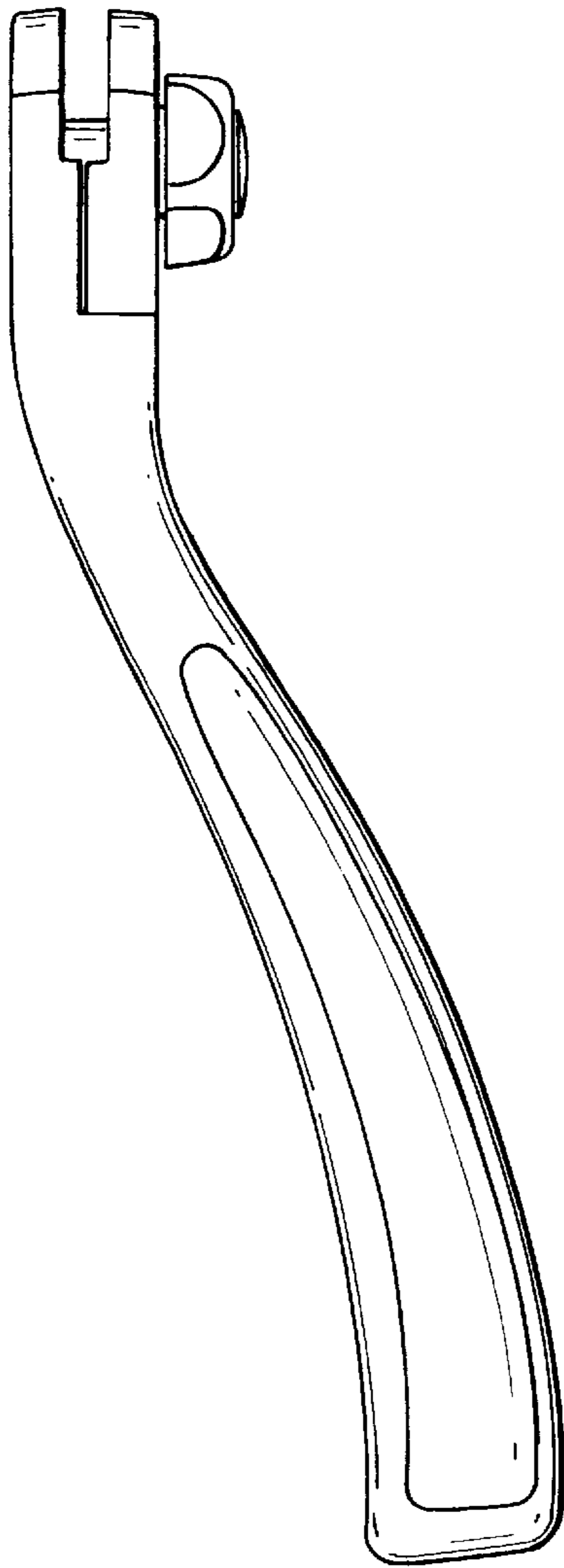


Fig. 4

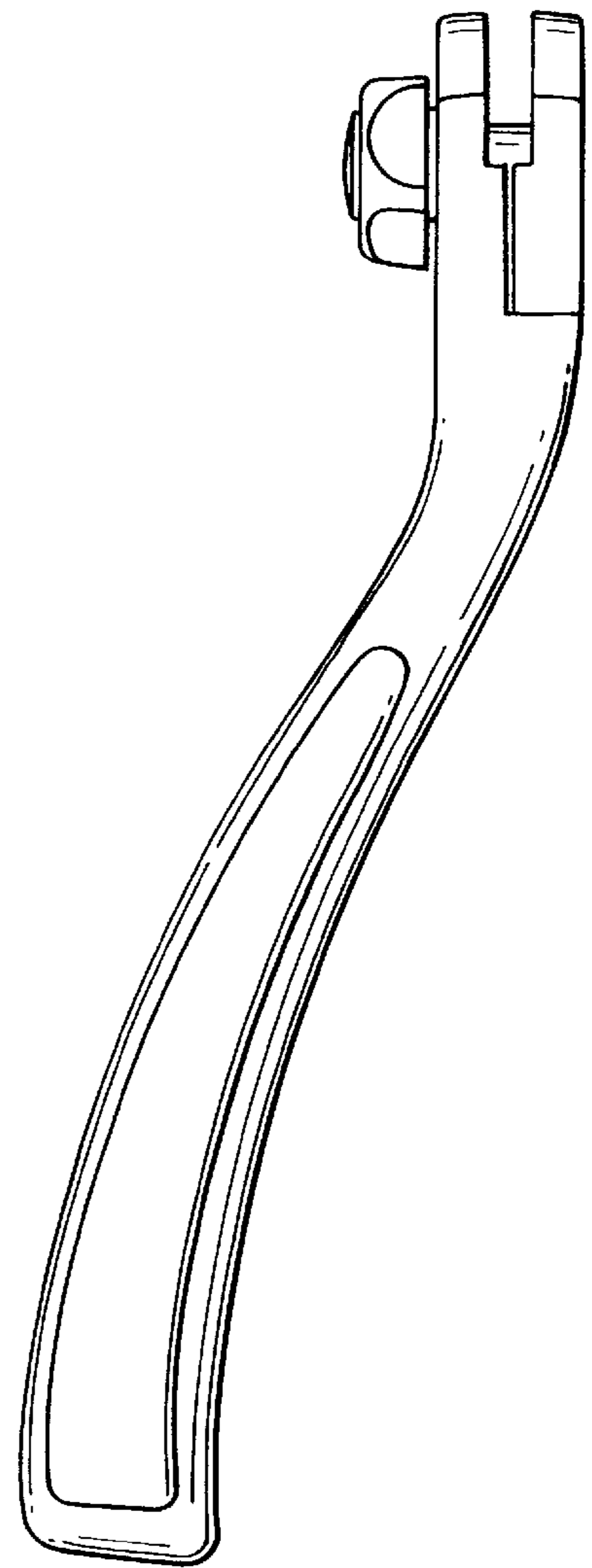


Fig. 5

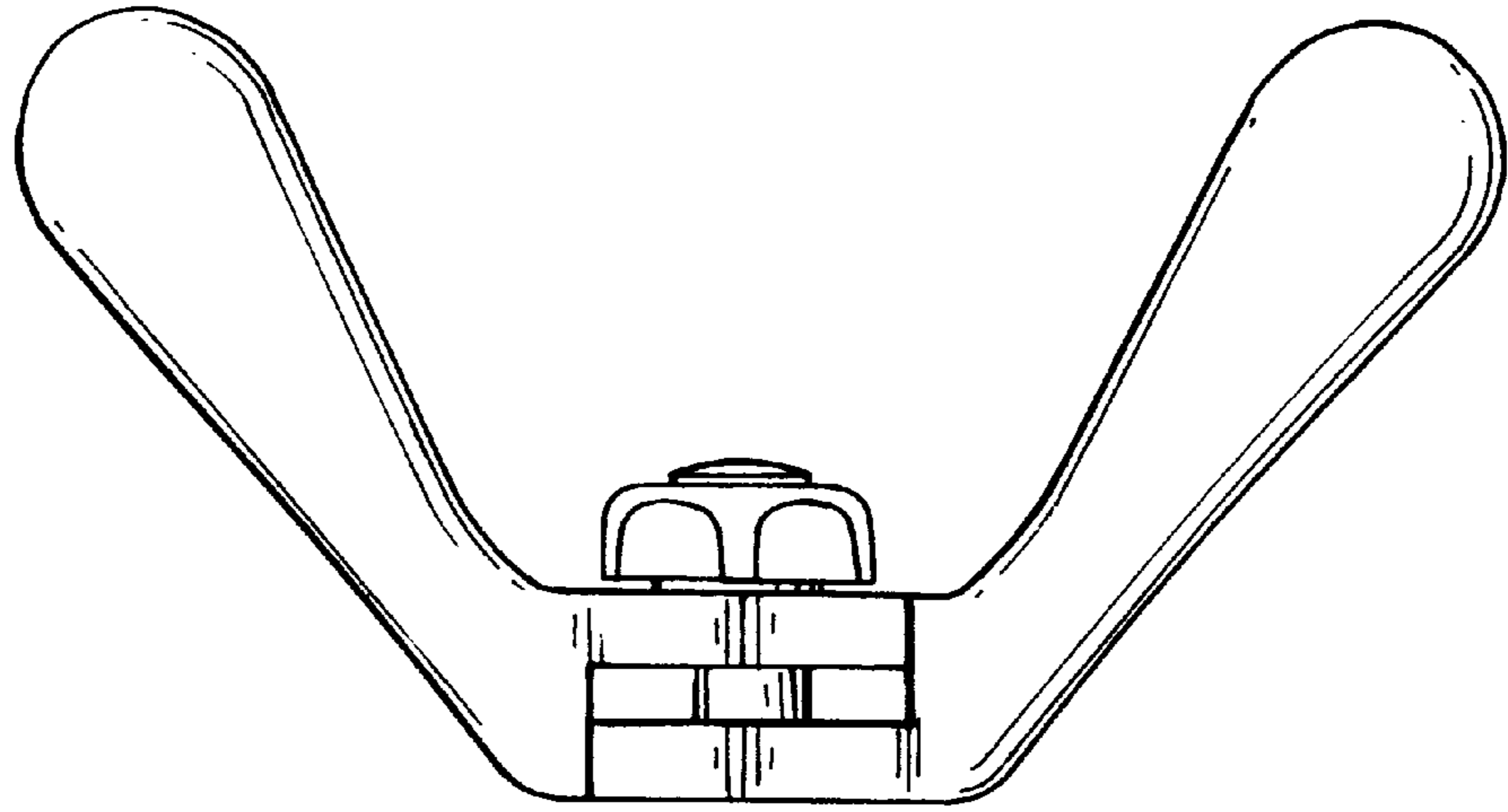


Fig. 6

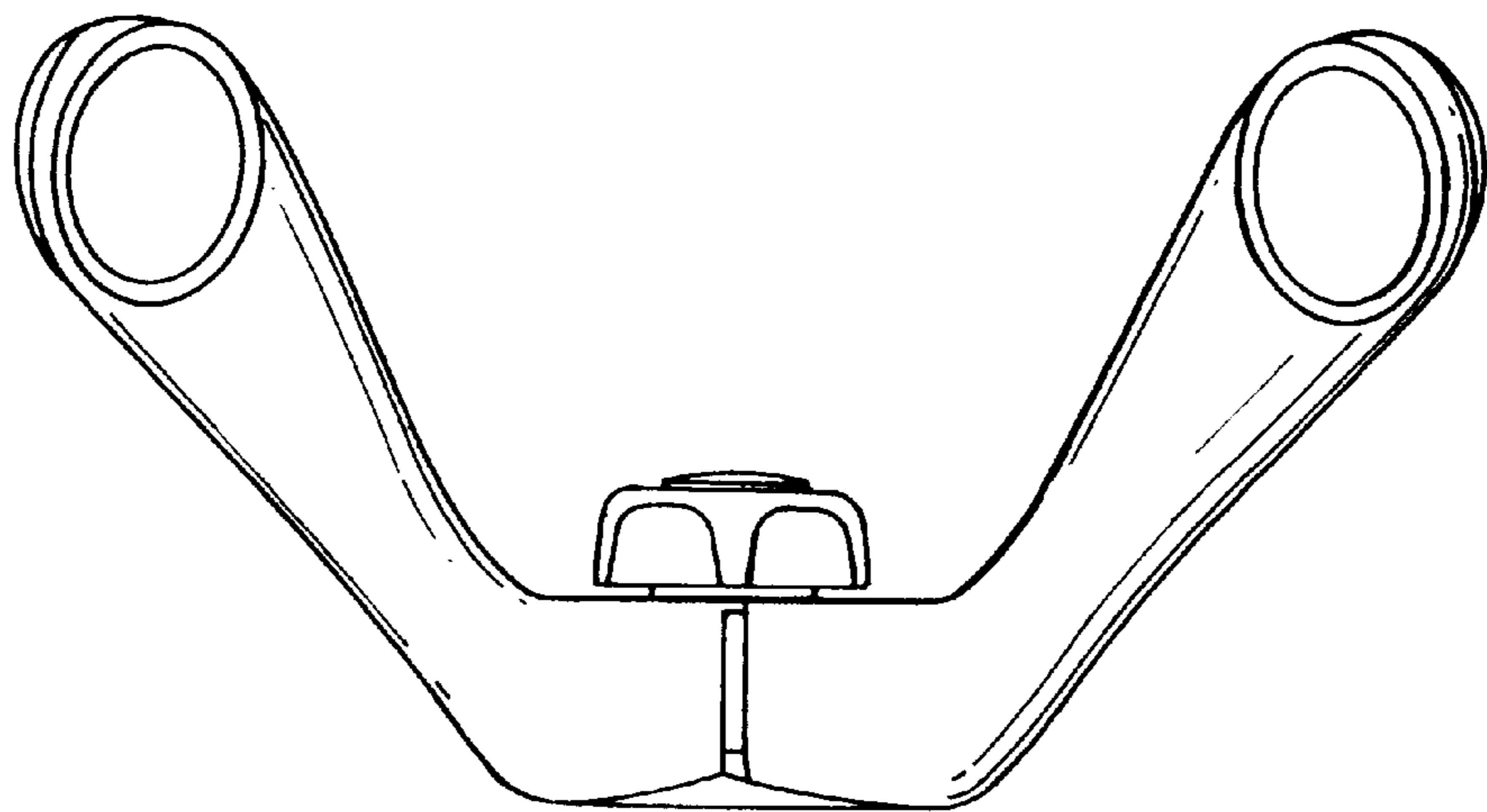


Fig. 7