



US00D426749S

United States Patent [19]

Barnes et al.

[11] Patent Number: Des. 426,749

[45] Date of Patent: ** Jun. 20, 2000

[54] OVEN RACK

[75] Inventors: Shelton T. Barnes, Chattanooga; Perry A. Bennett, Cleveland; Valerie L. Hern-Fonseth, Hixson, all of Tenn.

[73] Assignee: Maytag Corporation, Newton, Iowa

[**] Term: 14 Years

[21] Appl. No.: 29/109,771

[22] Filed: Aug. 24, 1999

[51] LOC (7) Cl. 07-02

[52] U.S. Cl. D7/409

[58] Field of Search D7/332, 339, 402, D7/409, 348; 126/332, 337, 339; 211/134, 153, 181.1; 312/410

[56] References Cited

U.S. PATENT DOCUMENTS

D. 205,716	9/1966	Christoffersen	D7/409
D. 346,531	5/1994	Stephen et al.	D7/409
2,205,064	6/1940	Irwin	D7/409 X
2,225,991	12/1940	Hobson .	
2,421,922	6/1947	Bocchino .	
2,466,360	4/1949	Bitney .	
2,609,267	9/1952	Hallock .	
2,671,004	3/1954	Chadwick et al. .	
2,767,298	10/1956	Fry .	
2,804,068	8/1957	Miller et al. .	
2,806,467	9/1957	Slaughter .	
2,875,016	2/1959	Fry .	
2,879,763	3/1959	Long .	
3,106,202	10/1963	Arduna .	
3,141,590	7/1964	Anderson .	
3,143,638	8/1964	Scott .	

3,169,520	2/1965	Smith et al. .
3,266,484	8/1966	Carpenter et al. .
3,489,136	1/1970	Bucellato .
3,550,580	12/1970	Wong .
3,675,638	7/1972	Baltz et al. .
3,789,826	2/1974	Baltz et al. .
3,791,371	2/1974	Oatley .
3,830,220	8/1974	Demetreon .
3,976,000	8/1976	Oxel .
3,977,389	8/1976	Ondrasik, II .
4,194,495	3/1980	Scherer .
4,637,373	1/1987	Shirai et al. .
4,651,713	3/1987	Ondrasik, II .
5,272,317	12/1993	Ryu .
5,507,398	4/1996	Miller .
5,638,809	6/1997	Wienhold .

Primary Examiner—Robert M. Spear
Attorney, Agent, or Firm—Everett G. Diederiks, Jr.

[57] CLAIM

The ornamental design for an oven rack, as shown and described.

DESCRIPTION

FIG. 1 is a perspective view of an oven rack in accordance with the present design;
FIG. 2 is a top plan view of the oven rack of FIG. 1;
FIG. 3 is a bottom plan view of the oven rack of FIG. 1;
FIG. 4 is a front elevational view of the oven rack of FIG. 1;
FIG. 5 is a rear elevational view of the oven rack of FIG. 1; and,
FIG. 6 is a right side elevational view of the oven rack of FIG. 1, with a left side elevational view being a mirror image thereof.

1 Claim, 3 Drawing Sheets

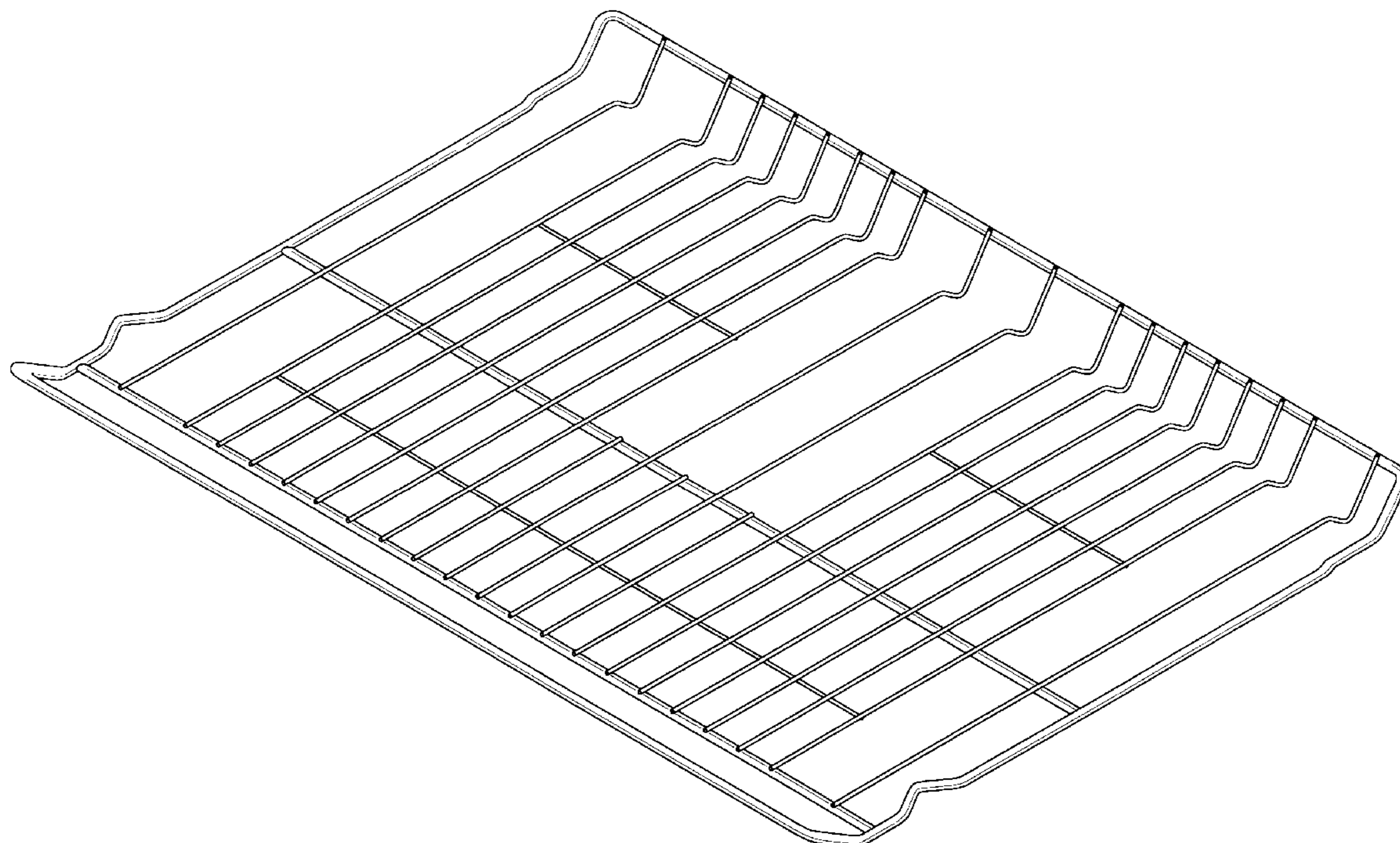


FIG. 1

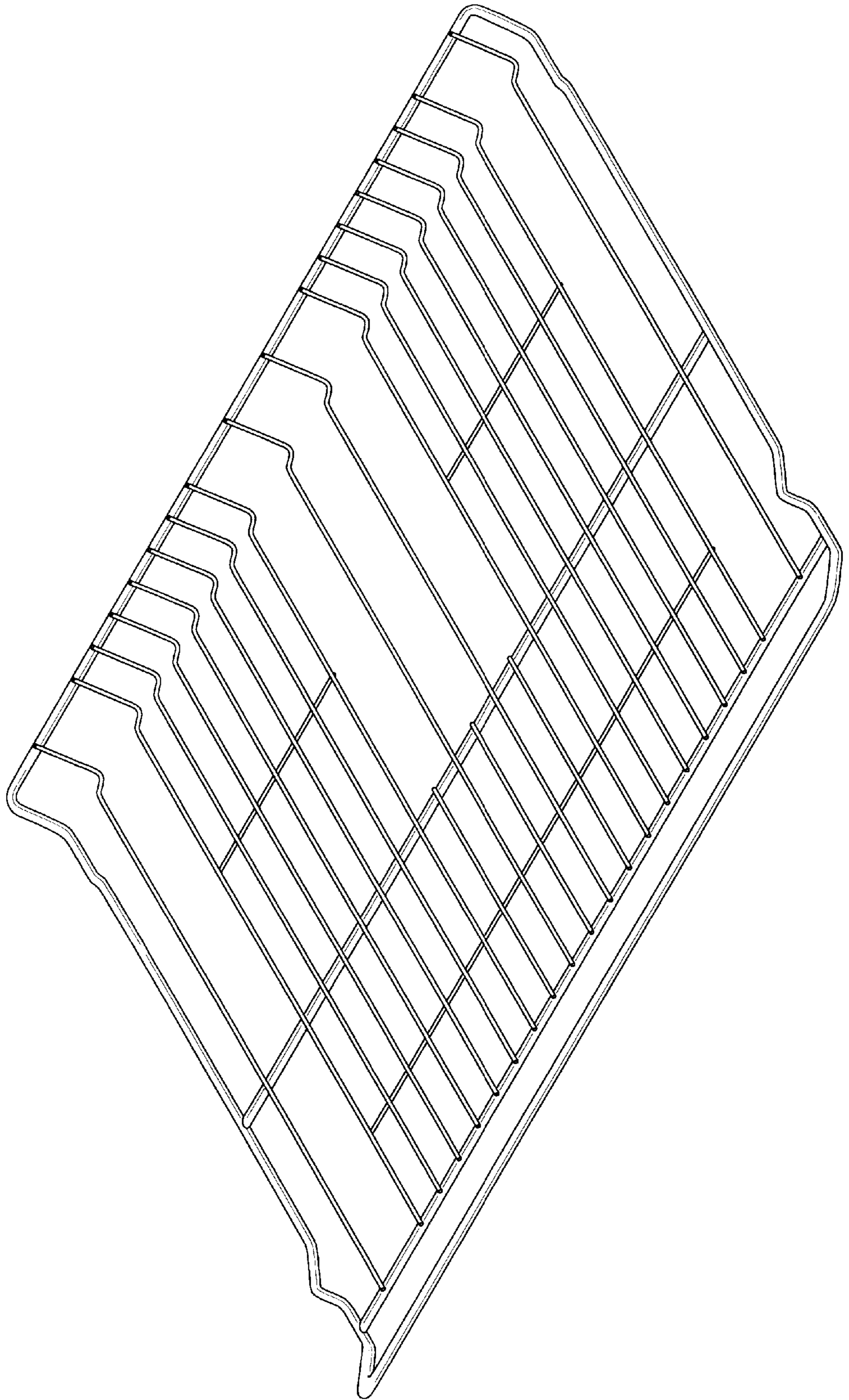


FIG. 2

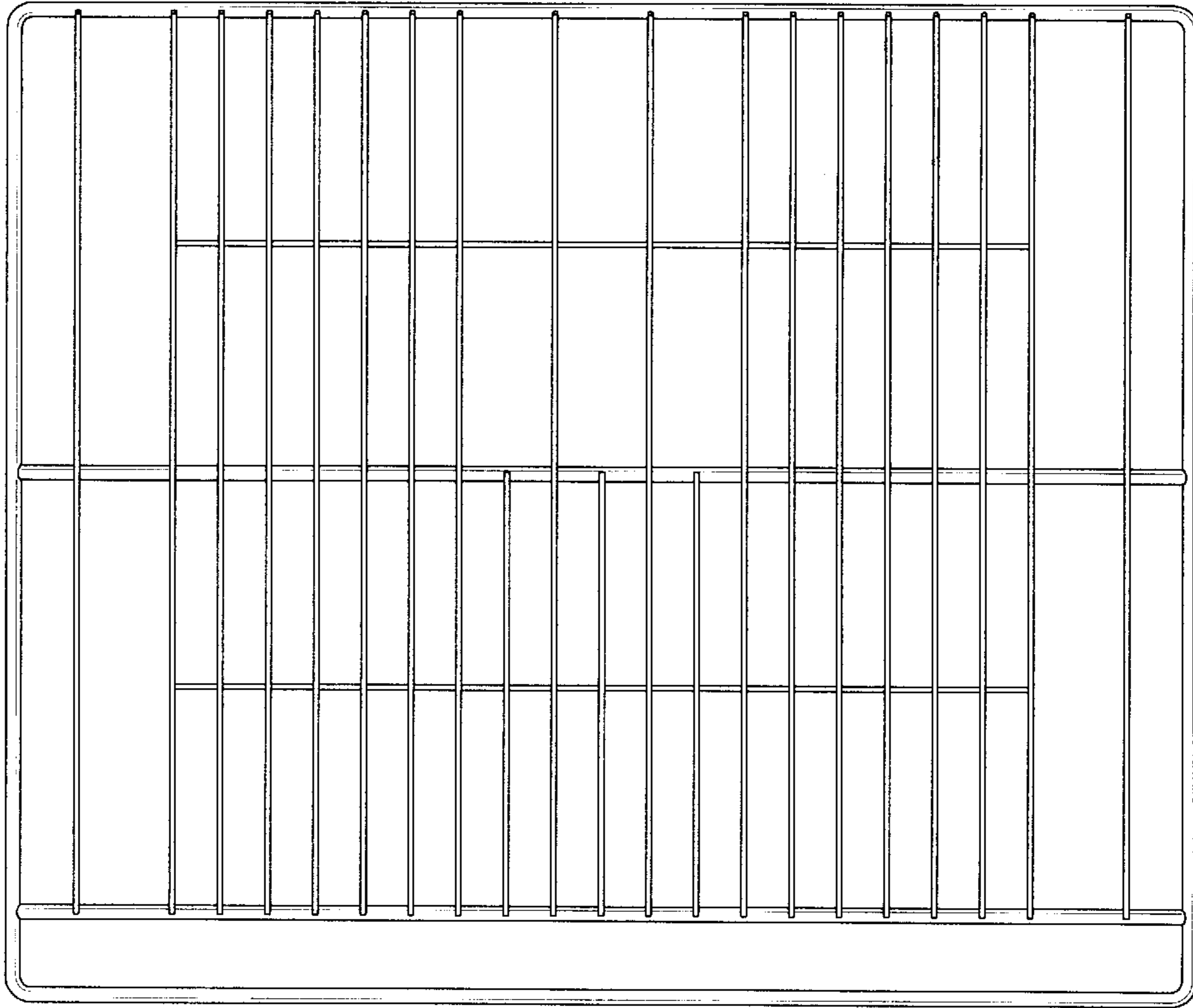


FIG. 3

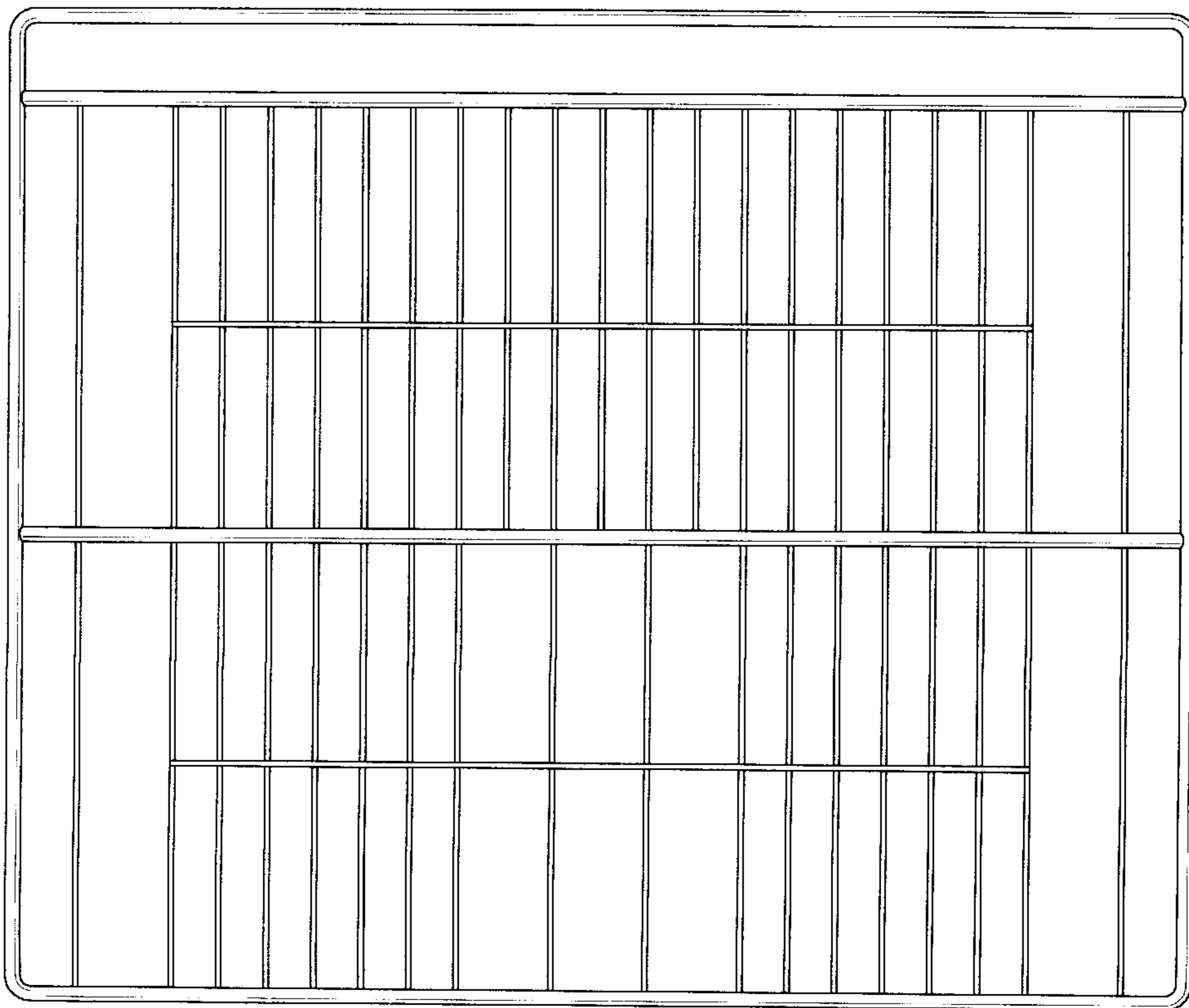


FIG. 4

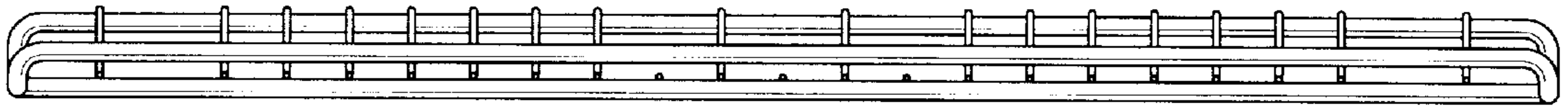


FIG. 5

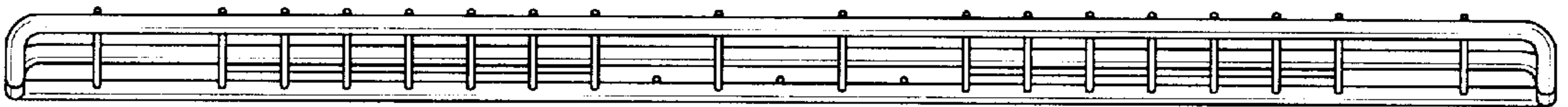


FIG. 6

