



US00D426747S

United States Patent [19]

Suero, Jr. et al.

[11] **Patent Number: Des. 426,747**

[45] **Date of Patent: ** Jun. 20, 2000**

[54] **UTENSIL HANDLE WITH FISH DESIGN**

[75] Inventors: **Jose Suero, Jr.**, Astoria; **Bruce E. Ancona**, New York, both of N.Y.

[73] Assignee: **Ekco Housewares, Inc.**, Franklin Park, Ill.

[**] Term: **14 Years**

[21] Appl. No.: **29/106,387**

[22] Filed: **Jun. 15, 1999**

[51] **LOC (7) Cl.** **07-03**

[52] **U.S. Cl.** **D7/401.2; D7/656**

[58] **Field of Search** D7/642, 645, 649, D7/651, 654, 656, 401.2, 684, 689; 30/147-150, 322, 324, 329, 340, 345

[56] **References Cited**

U.S. PATENT DOCUMENTS

D. 38,680 7/1907 Brereton D7/656

D. 45,367 3/1914 Bentz D7/655
D. 212,196 9/1968 Pasquale D7/656
D. 274,971 8/1984 Kelley et al. D7/656

Primary Examiner—Caron D. Veynar
Attorney, Agent, or Firm—Wolf, Greenfield & Sacks, P.C.

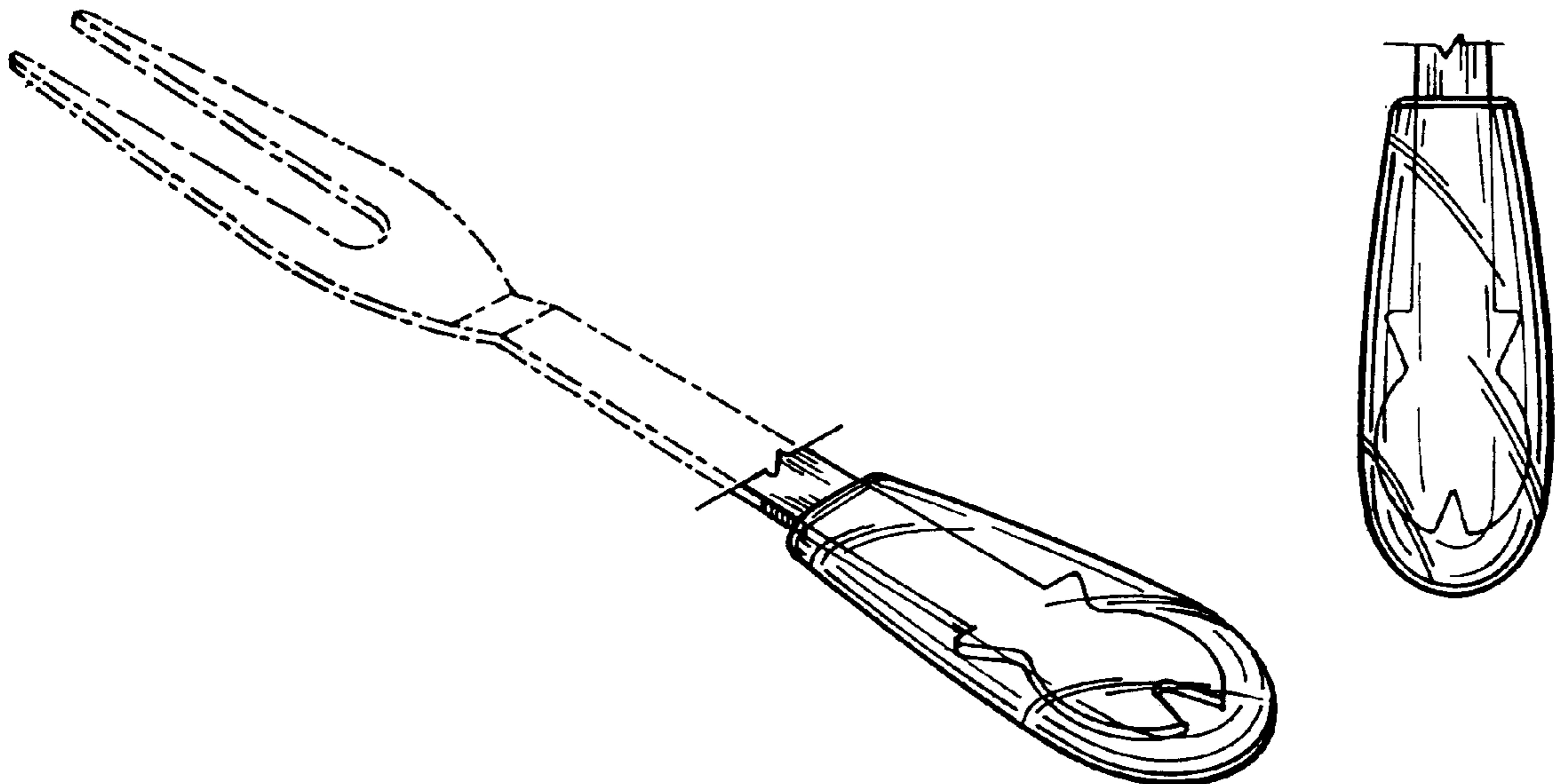
[57] **CLAIM**

The ornamental design for a utensil handle with fish design, as shown and described.

DESCRIPTION

FIG. 1 is a side, top perspective view of the utensil handle with fish design, the broken line showing of the utensil portion of a fork is for illustrative purposes only and forms no part of the claimed design;
FIG. 2 is a top view thereof;
FIG. 3 is a left side view thereof, the right side view thereof being a mirror image of the left side view thereof;
FIG. 4 is a rear view thereof; and,
FIG. 5 is a front view thereof.

1 Claim, 1 Drawing Sheet



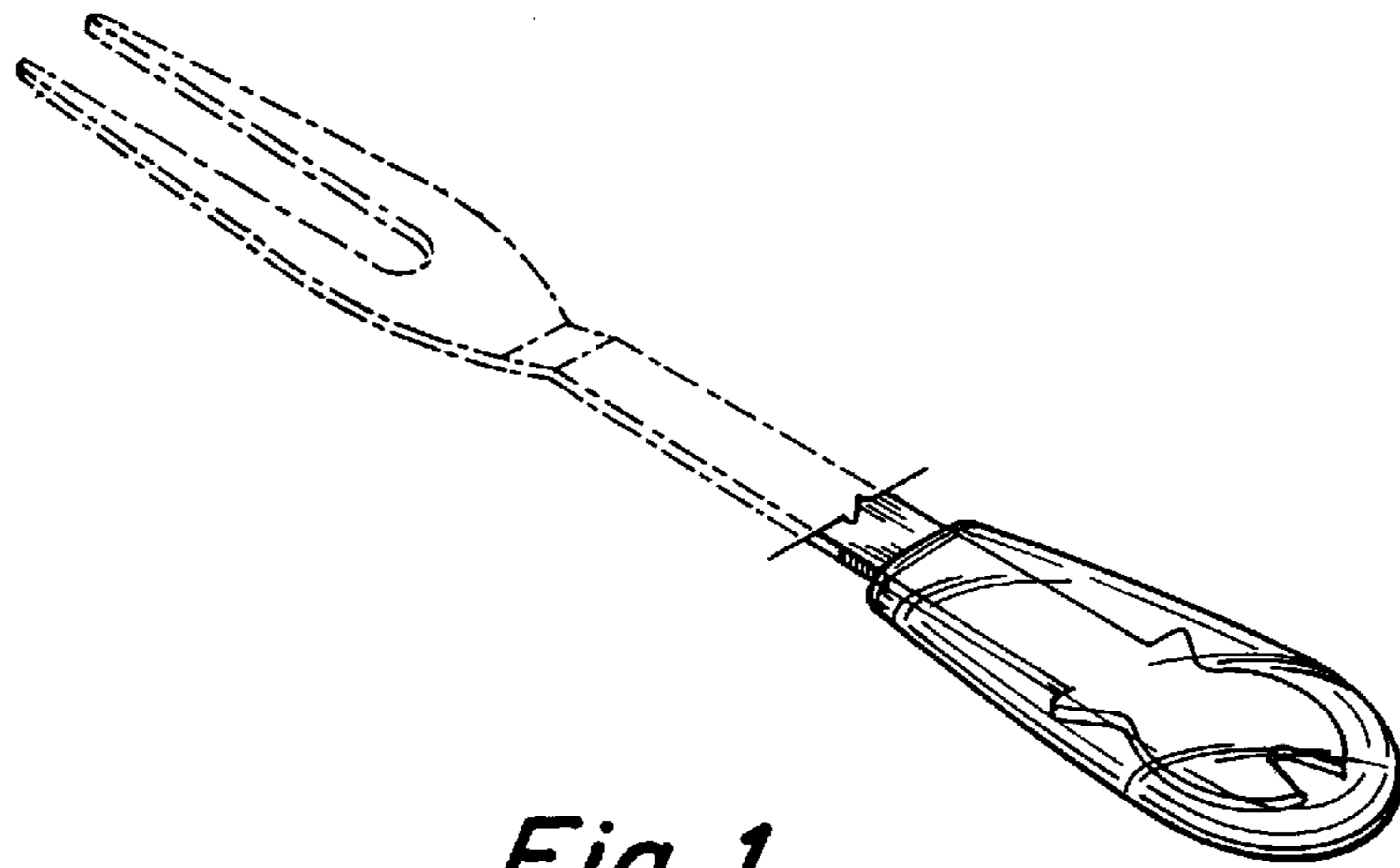


Fig. 1

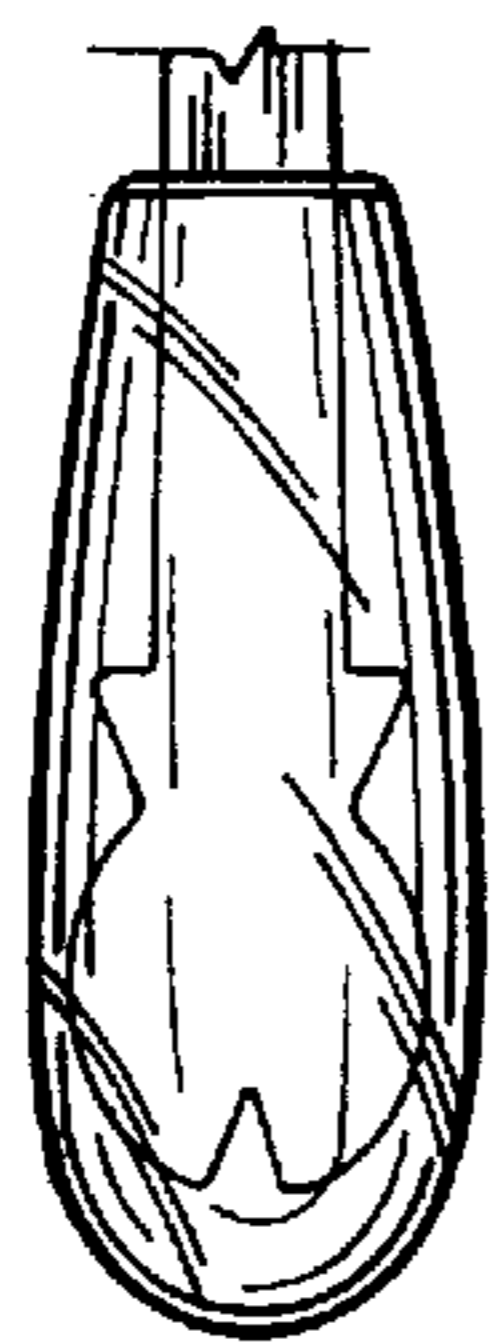


Fig. 2



Fig. 3



Fig. 4



Fig. 5