



US00D426746S

# United States Patent [19]

[11] Patent Number: **Des. 426,746**

**Busick et al.**

[45] Date of Patent: **\*\* Jun. 20, 2000**

[54] **FEED TUBE ADAPTER FOR A BOTTLED WATER COOLER**

[75] Inventors: **Louis M. Busick**, Columbus; **David B. Chaney**, Westerville; **Kenneth J. Hydak**, Worthington, all of Ohio

[73] Assignee: **Oasis Corporation**, Columbus, Ohio

[\*\*] Term: **14 Years**

[21] Appl. No.: **29/109,400**

[22] Filed: **Aug. 13, 1999**

[51] **LOC (7) Cl.** ..... **07-99**

[52] **U.S. Cl.** ..... **D7/398; D7/397**

[58] **Field of Search** ..... **D7/387, 398, 397, D7/306, 307, 308; 222/185.1, 83.5; 141/319, 330, 18, 346, 329; 62/294**

4,874,023	10/1989	Ulm .....	141/346
4,991,635	2/1991	Ulm .....	141/346
5,121,778	6/1992	Baker et al. ....	141/319
5,259,534	11/1993	Lynd .	
5,295,519	3/1994	Baker et al. ....	141/18
5,395,590	3/1995	Swaniger et al. .	
5,413,152	5/1995	Burrows .....	141/18
5,454,409	10/1995	McAffer et al. ....	141/329
5,464,127	11/1995	Burrows .....	222/185.1
5,676,278	10/1997	Beyer et al. ....	222/83.5

*Primary Examiner*—M. N. Pandozzi  
*Attorney, Agent, or Firm*—Kelly Bauersfeld Lowry & Kelley, LLP

### [57] CLAIM

The ornamental design for a feed tube adapter for a bottled water cooler, as shown.

### DESCRIPTION

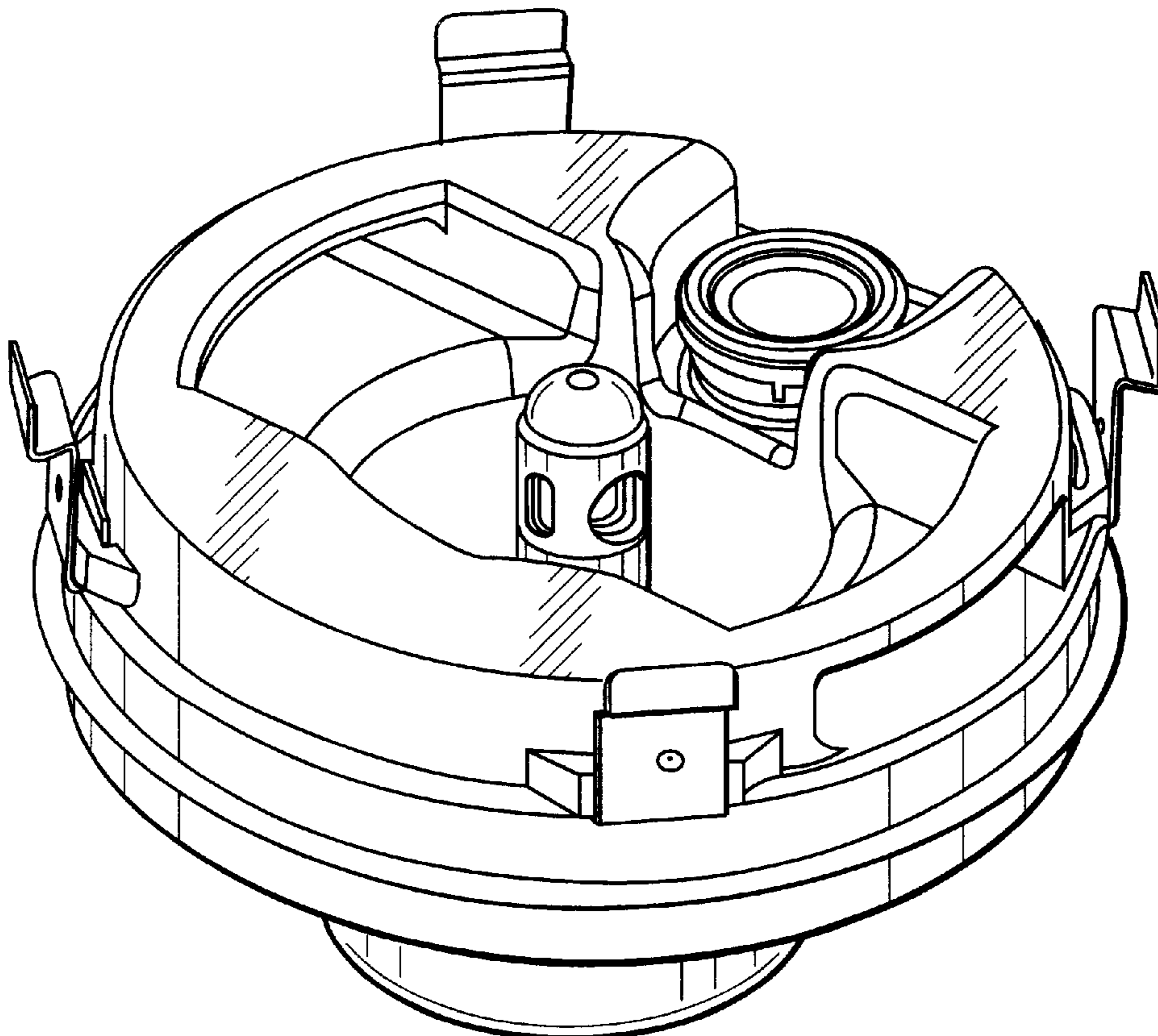
FIG. 1 is a perspective view showing the front, top and right sides of a feed tube adapter for a bottled water cooler embodying my/our new design; FIG. 2 is a front elevation view thereof; FIG. 3 is a right side elevation view thereof; FIG. 4 is a left side elevation view thereof; FIG. 5 is a rear elevation view thereof; FIG. 6 is a top plan view thereof; and, FIG. 7 is a bottom plan view thereof.

**1 Claim, 4 Drawing Sheets**

### [56] References Cited

#### U.S. PATENT DOCUMENTS

D. 248,440	7/1978	Bryan et al. .	
D. 268,394	3/1983	MacEwen .	
D. 331,349	12/1992	Culverson .....	D7/387
D. 366,391	1/1996	Haley et al. ....	D7/397
D. 369,942	5/1996	Ahern, Jr. .	
1,337,206	4/1920	Doering et al. ....	62/294
4,699,188	10/1987	Baker et al. ....	141/18
4,846,236	7/1989	Deruntz .....	141/329



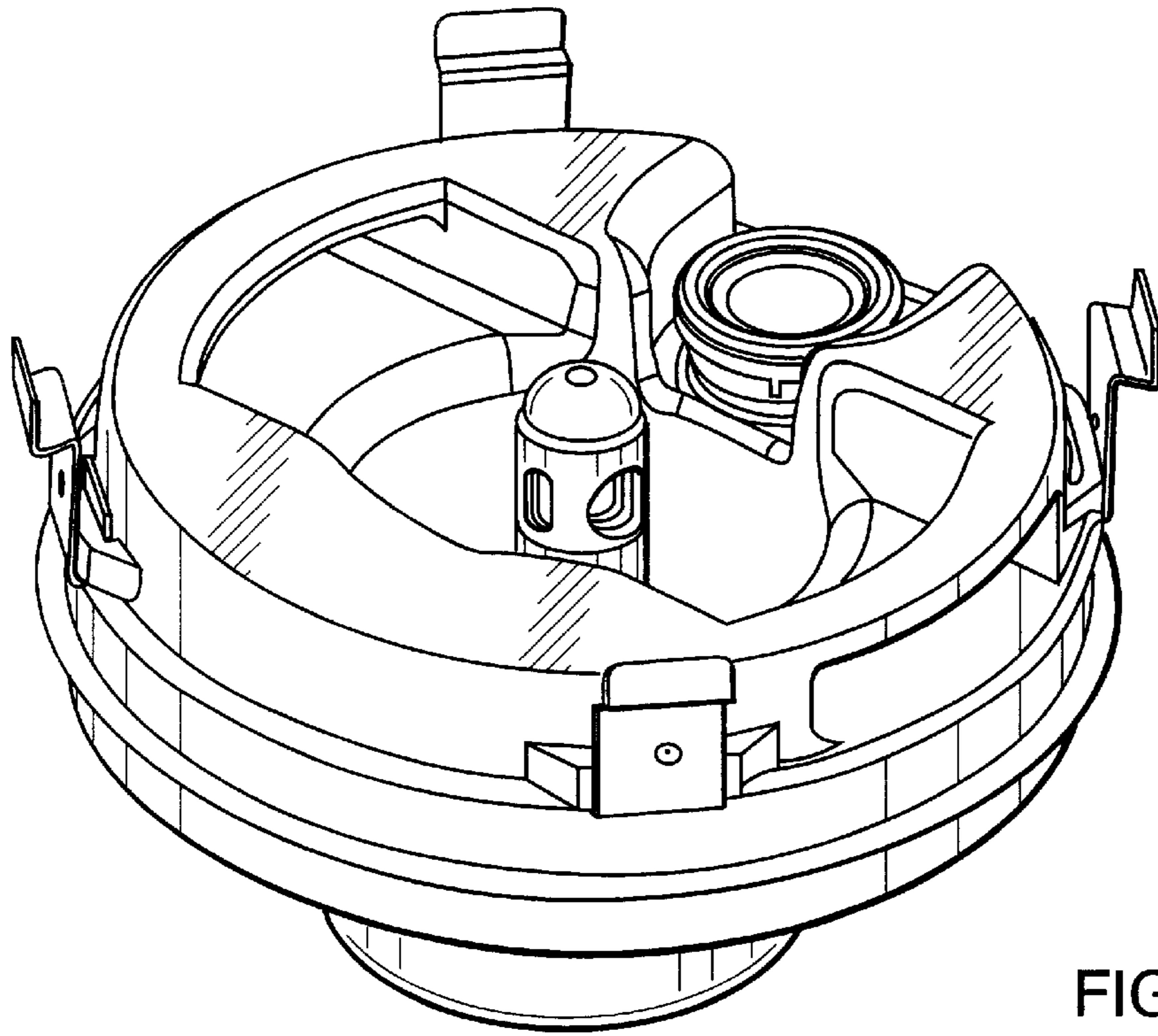


FIG. 1

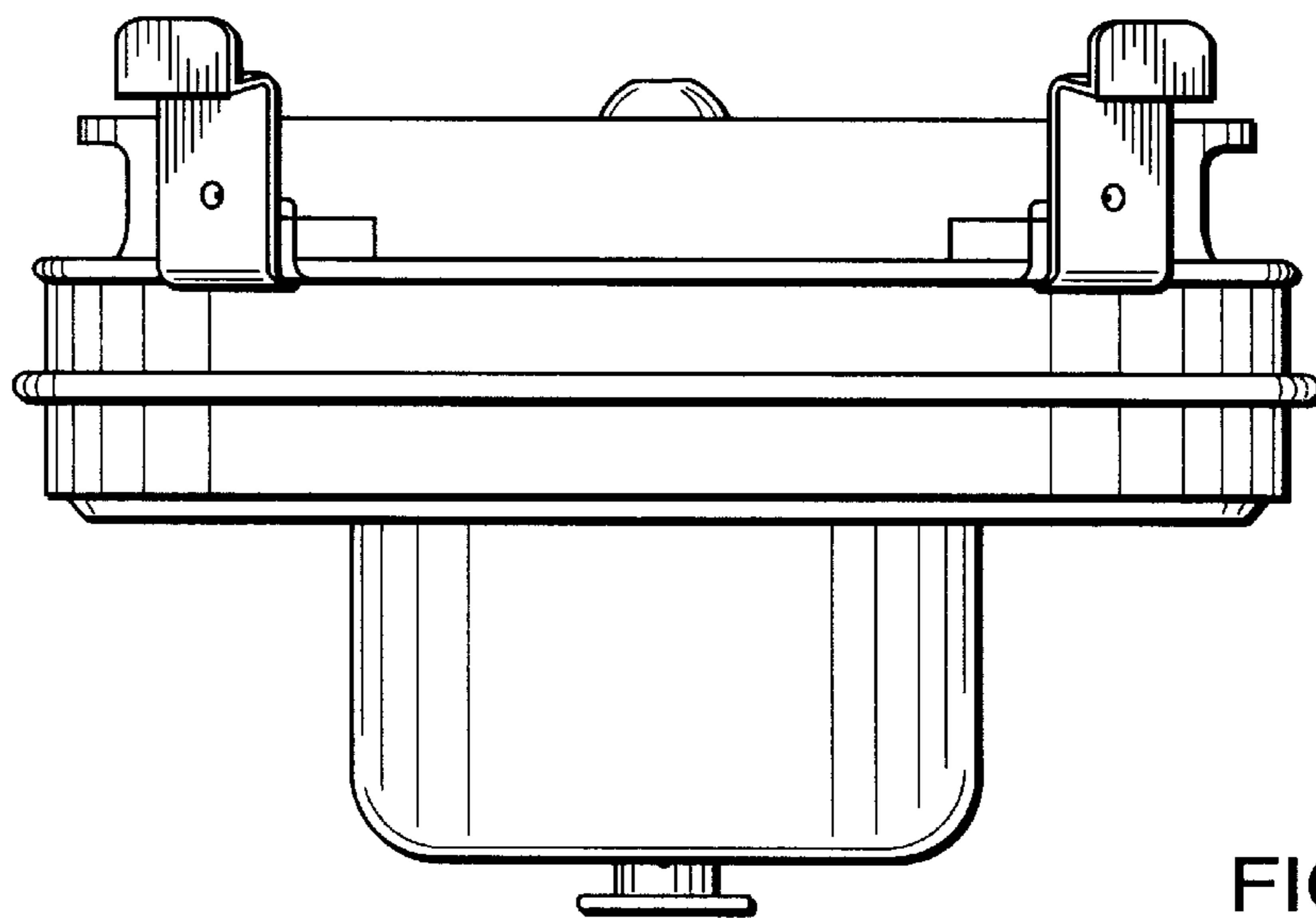


FIG. 2

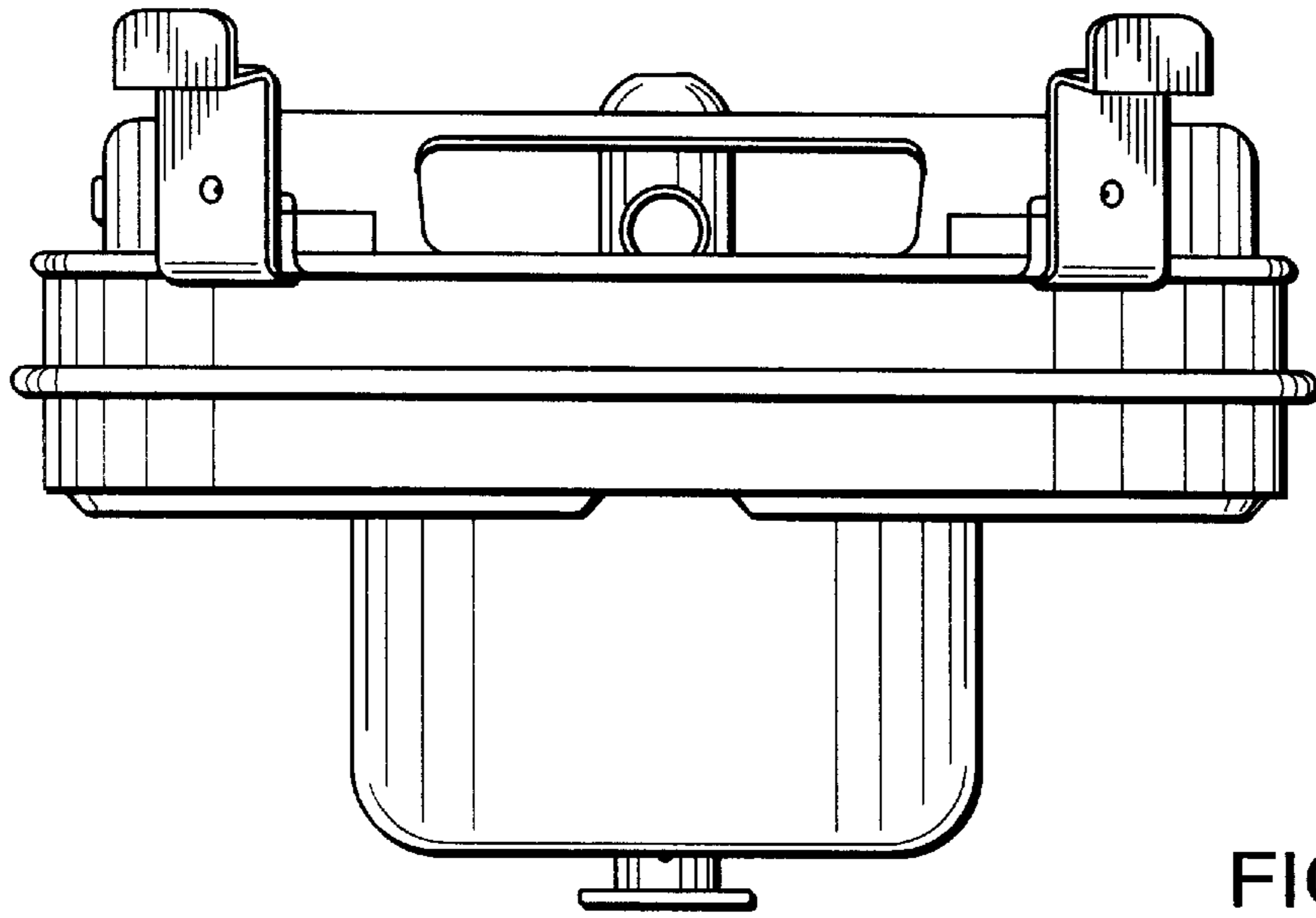


FIG. 3

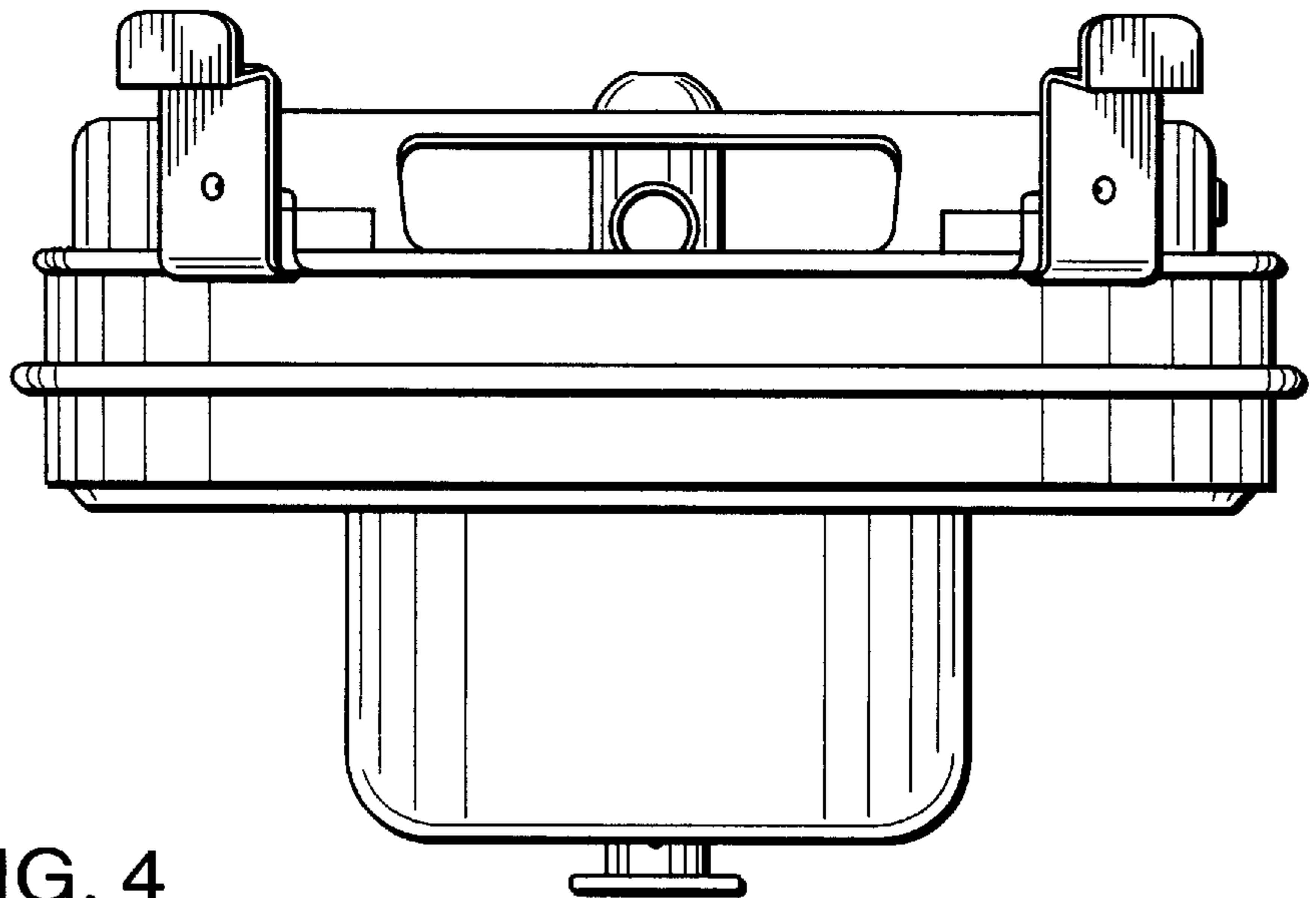


FIG. 4

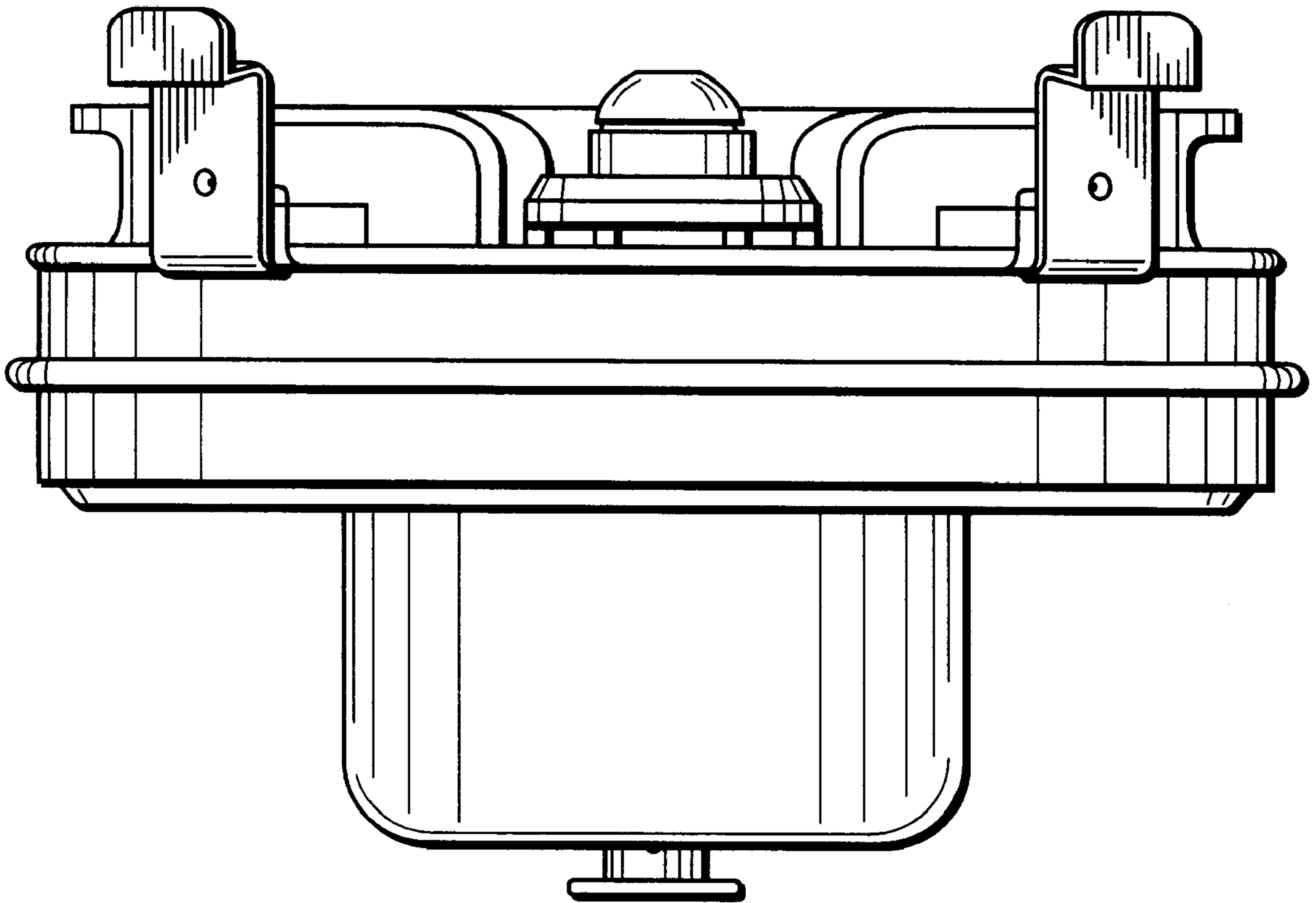


FIG. 5

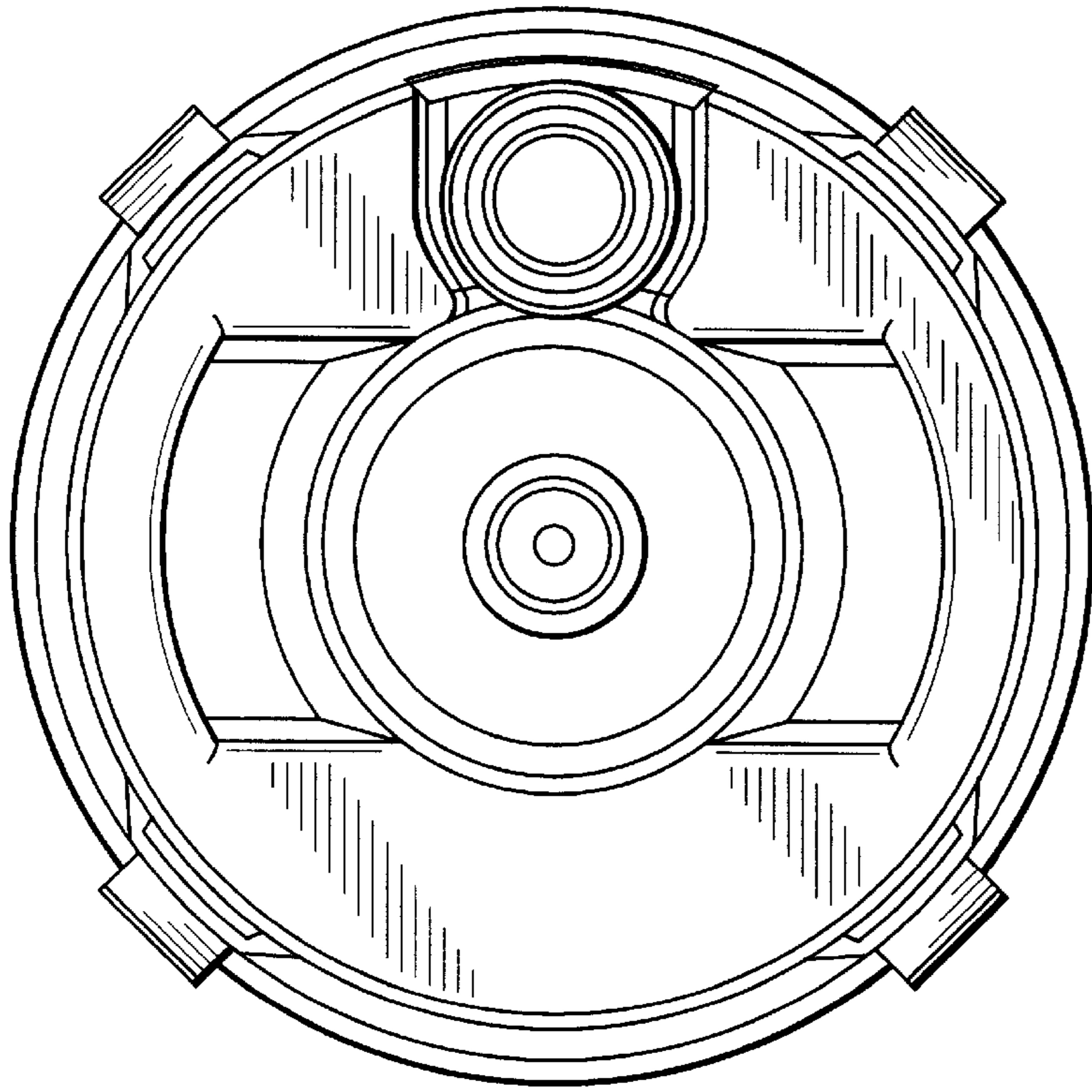


FIG. 6

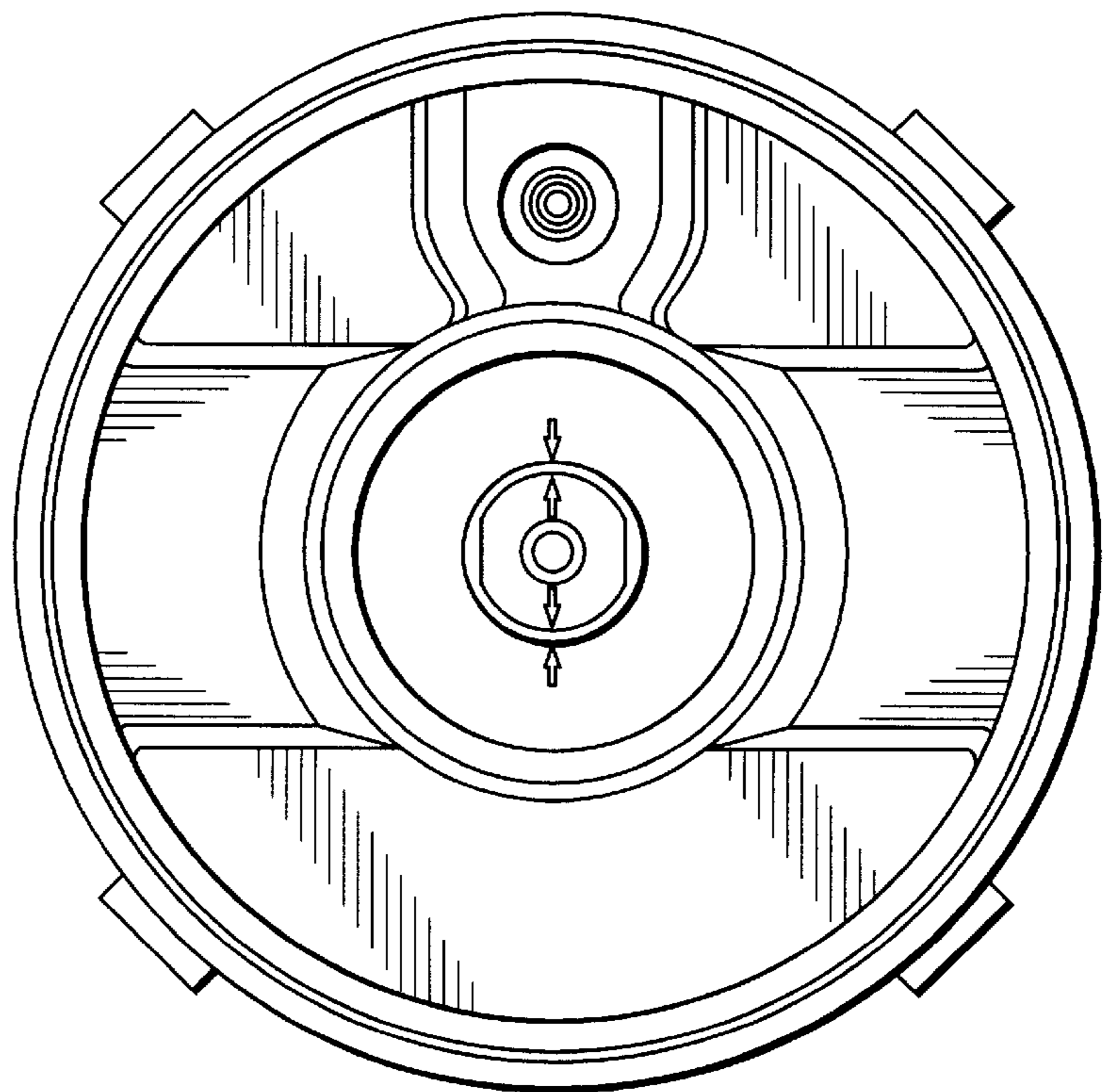


FIG. 7