



US00D426744S

# United States Patent [19] Wong

[11] Patent Number: Des. 426,744  
[45] Date of Patent: \*\* Jun. 20, 2000

## [54] FOOD PROCESSOR SET INCLUDING INTERCHANGEABLE ACCESSORIES

D. 395,194 6/1998 Wong ..... D7/384

[76] Inventor: **Yan Kwong Wong**, Unit 17, 10th Floor, Metro Centre II, 21 Lam Hing Street, Kowloon Bay, Kowloon, The Hong Kong Special Administrative Region of the People's Republic of China

*Primary Examiner*—Caron D. Veynar  
*Attorney, Agent, or Firm*—Salter & Michaelson

[\*\*] Term: **14 Years**

### [57] CLAIM

The ornamental design for a food processor set including interchangeable accessories, as shown.

[21] Appl. No.: **29/110,572**

### DESCRIPTION

[22] Filed: **Sep. 9, 1999**

FIG. 1 is a perspective view of a food processor set including interchangeable accessories showing my new design;

### [30] Foreign Application Priority Data

Mar. 10, 1999 [GB] United Kingdom ..... 2081861

FIG. 2 is a perspective view of the food processor housing showing one of the interchangeable accessories;

[51] LOC (7) Cl. .... **31-00**

FIG. 3 is a top plan view thereof;

[52] U.S. Cl. .... **D7/384**

FIG. 4 is a bottom plan view thereof;

[58] Field of Search ..... D7/376, 380, 381, D7/383, 384, 678, 679, 693, 694; 366/64, 96, 197, 241, 279, 342, 347; 241/101.01

FIG. 5 is an elevational view of one side thereof;

FIG. 6 is an elevational view of an opposite side thereof;

### [56] References Cited

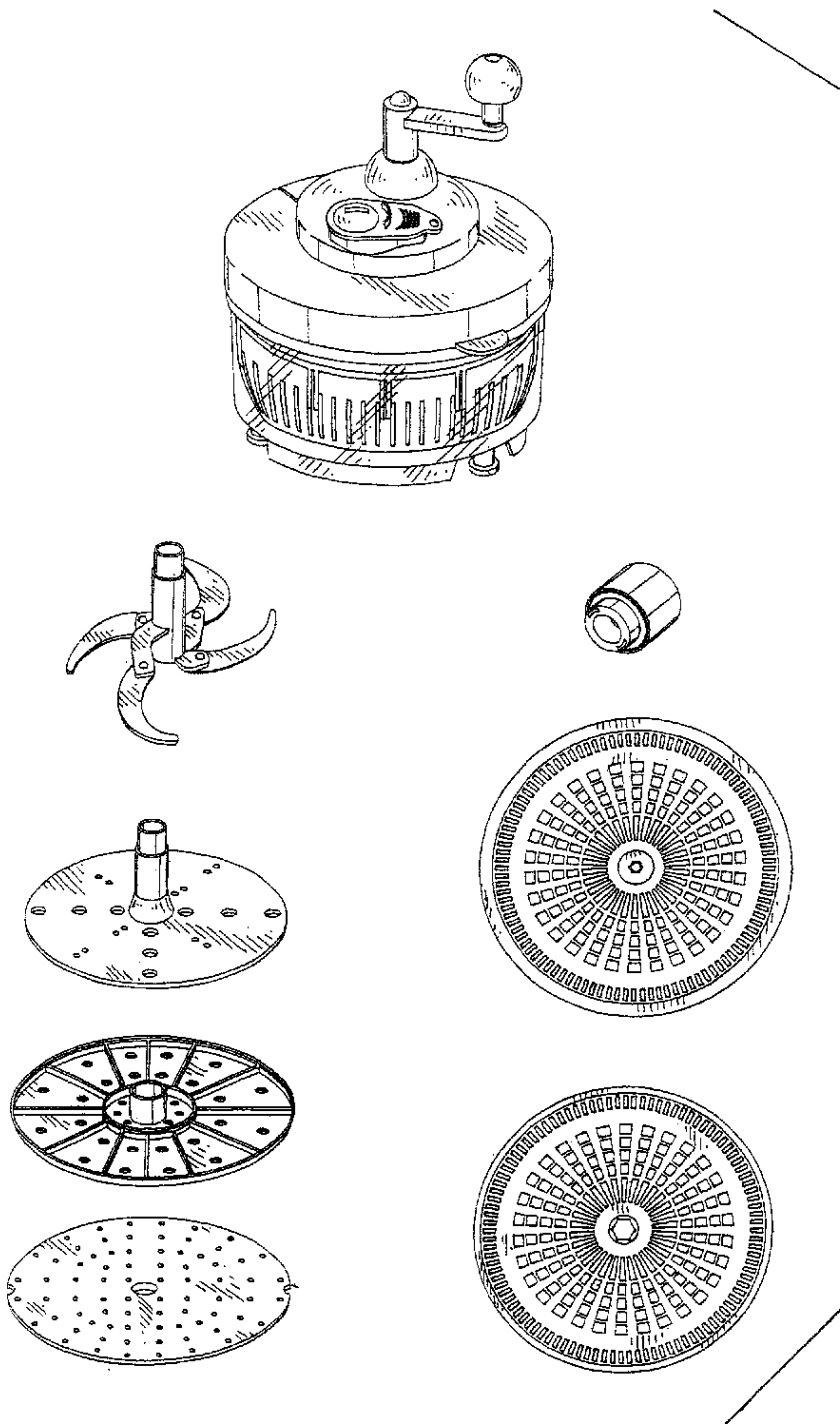
FIG. 7 is an elevational view of one end thereof; and,

FIG. 8 is an elevational view of an opposite end thereof.

#### U.S. PATENT DOCUMENTS

D. 361,694 8/1995 Wong ..... D7/384

**1 Claim, 5 Drawing Sheets**



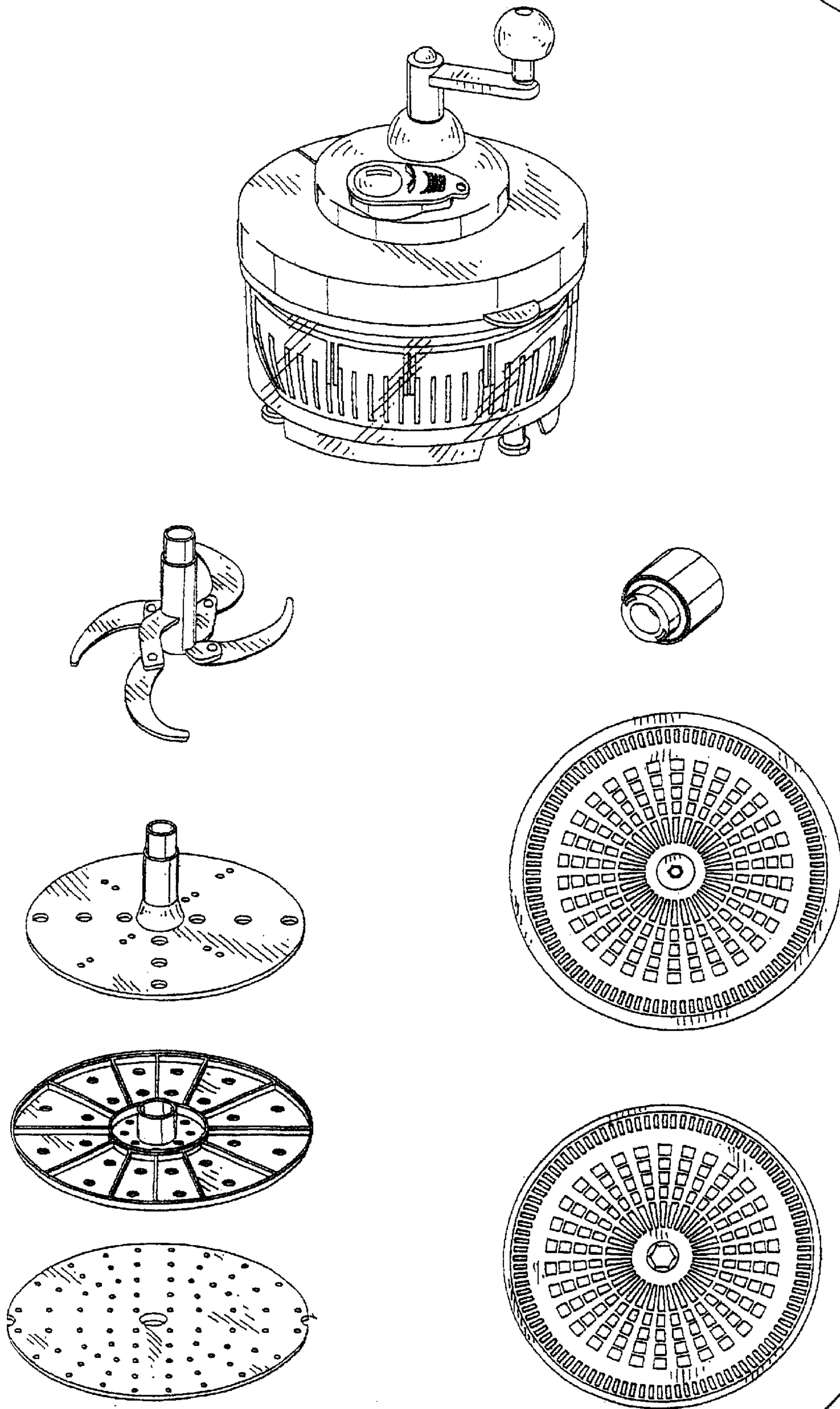


FIG. 1

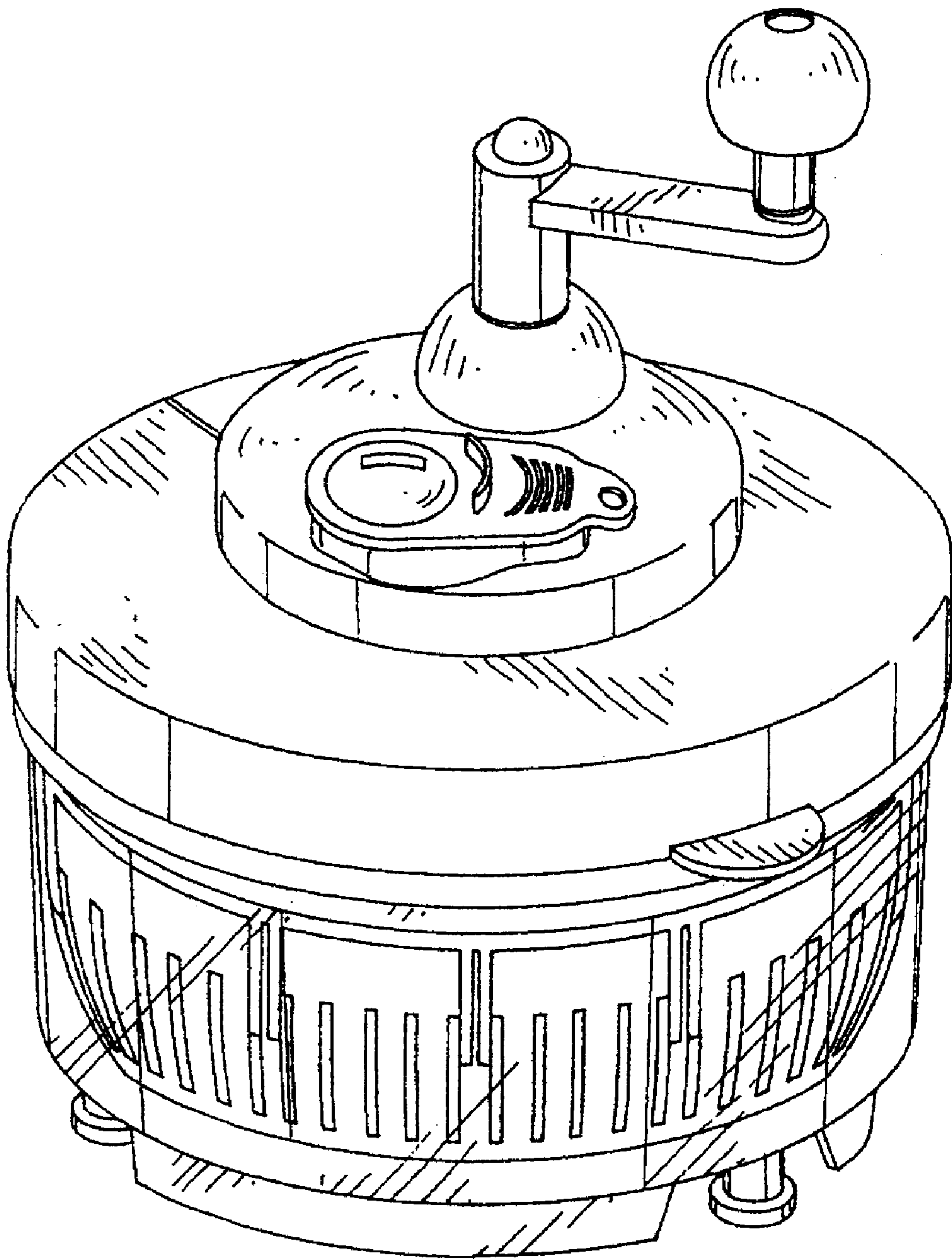


FIG. 2



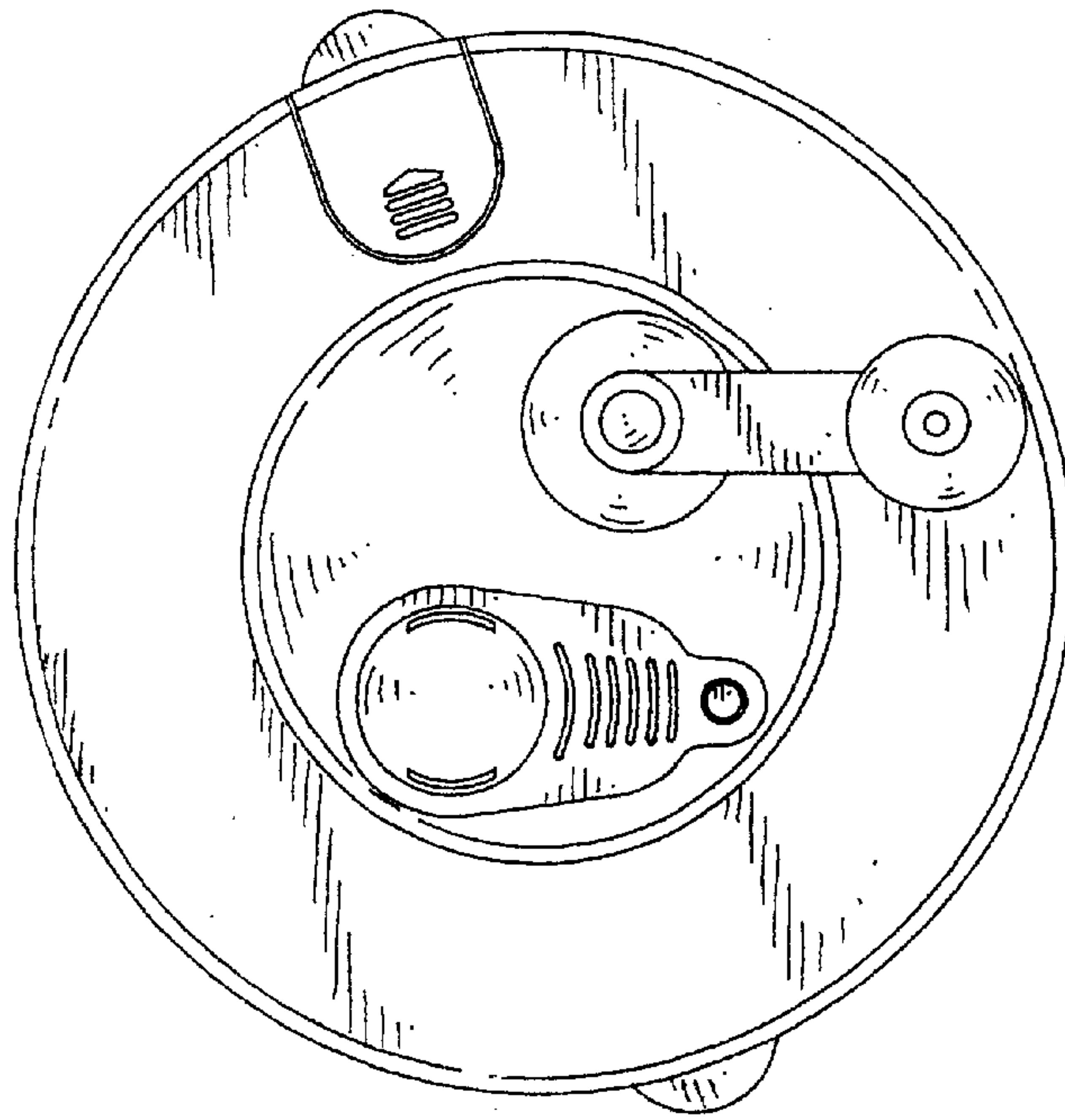


FIG. 3

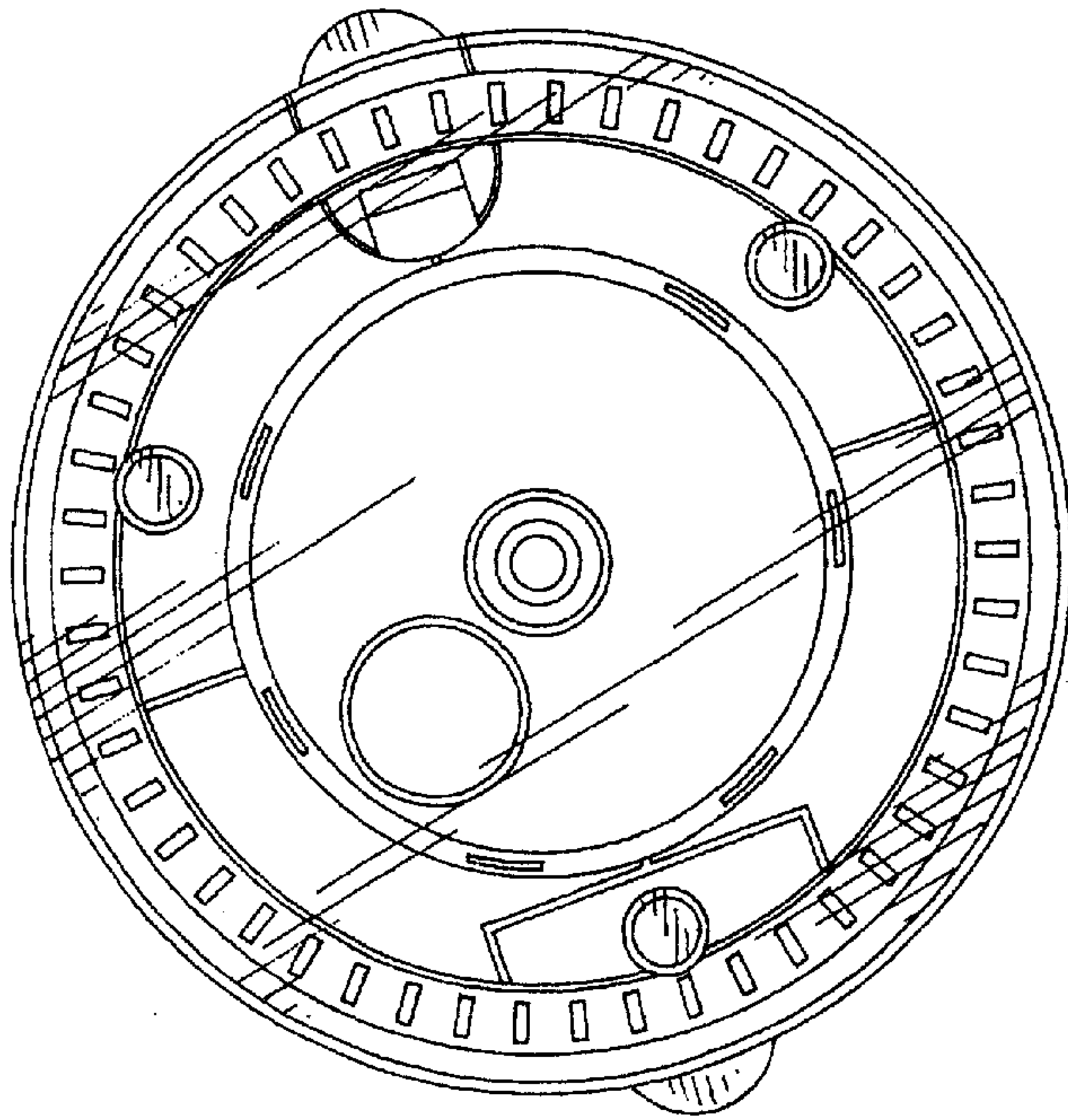


FIG. 4

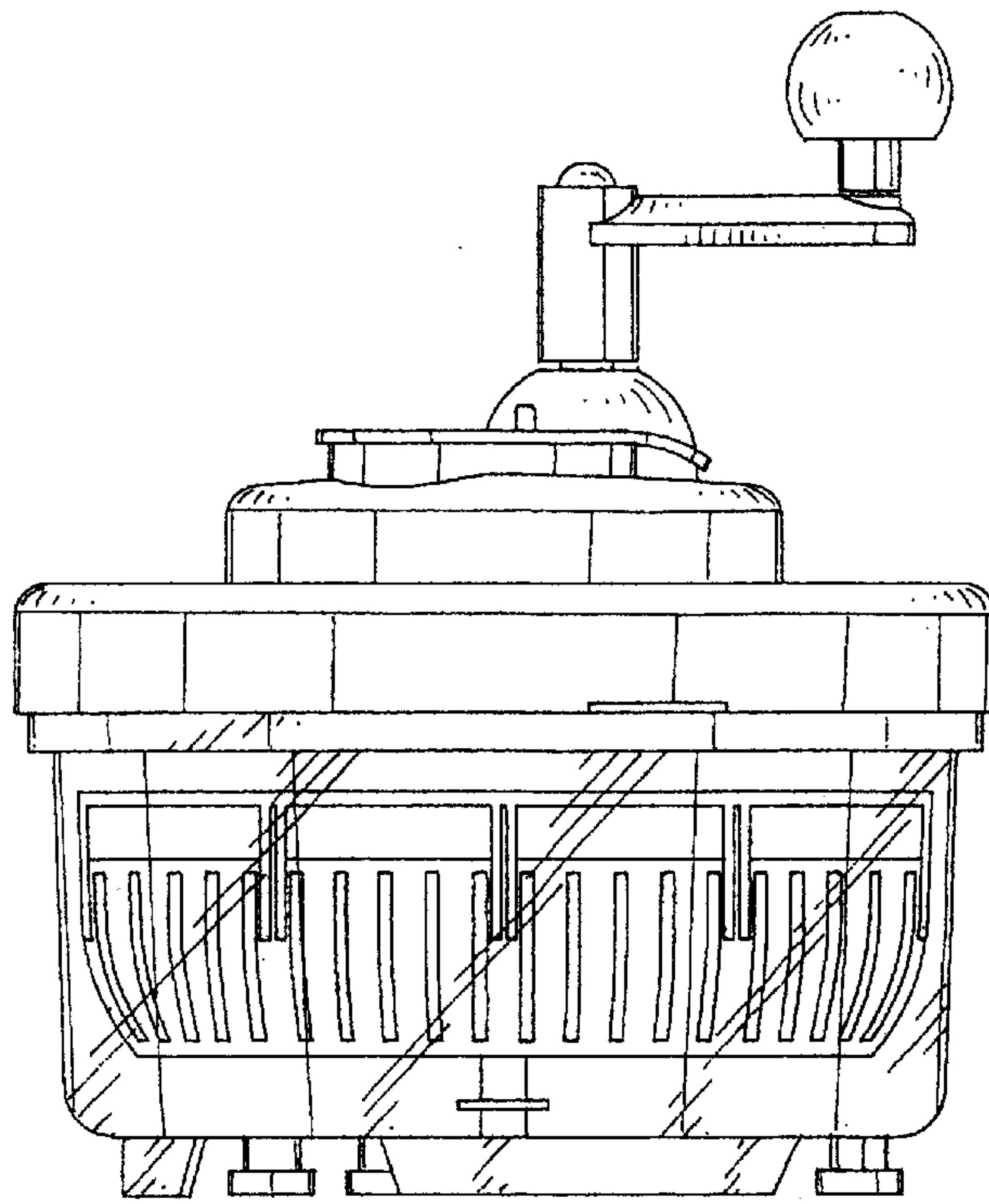


FIG. 5

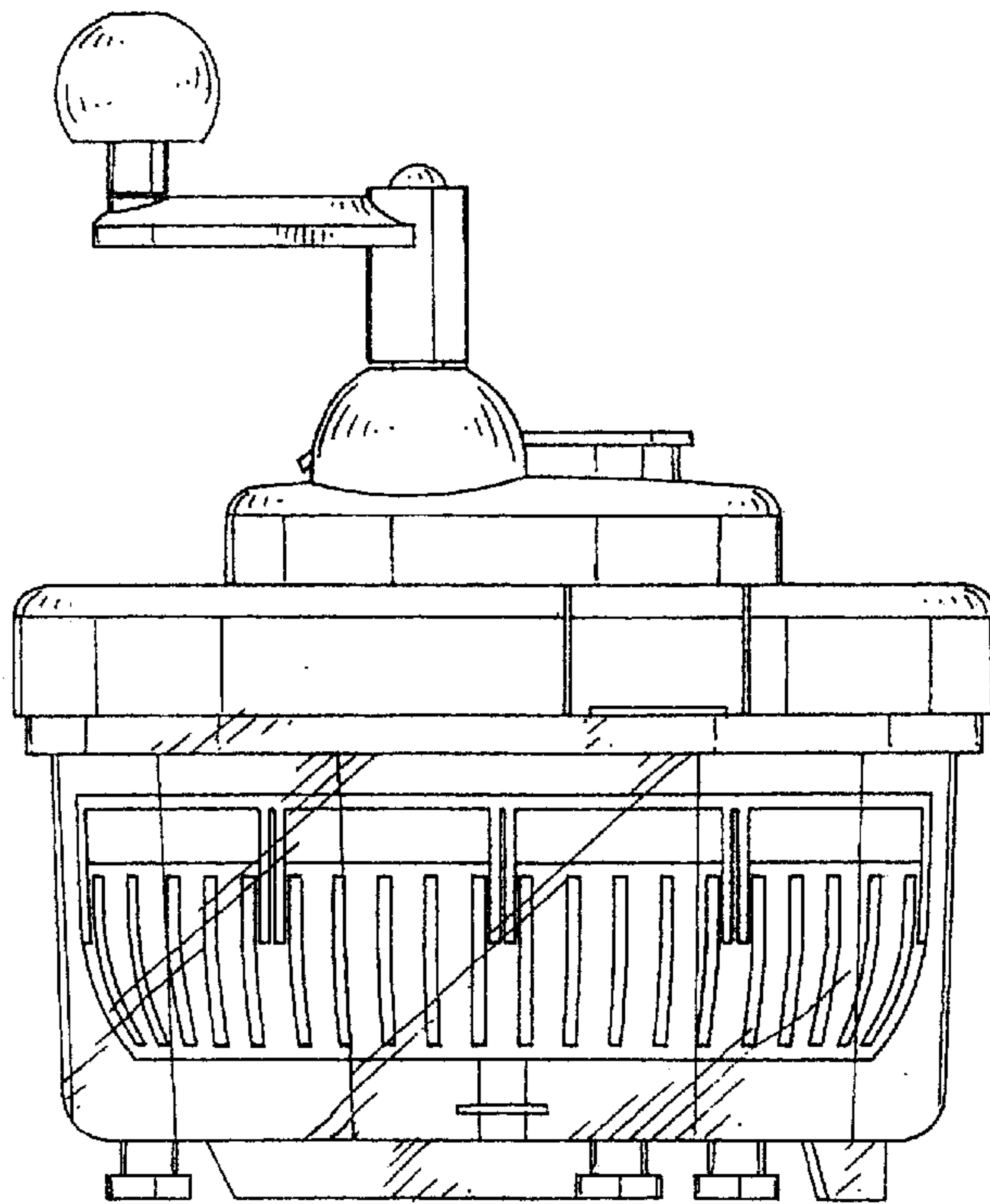


FIG. 6

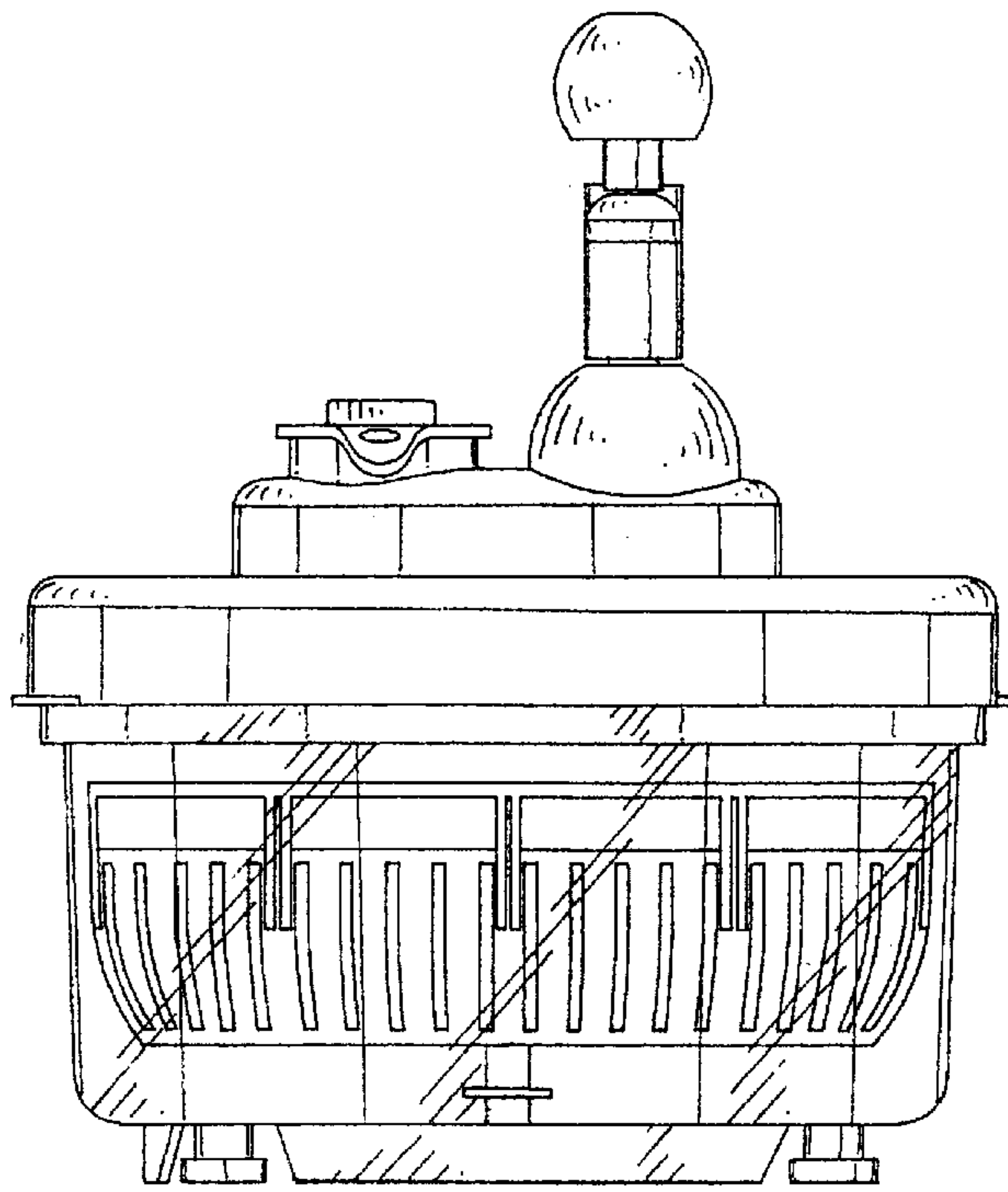


FIG. 7

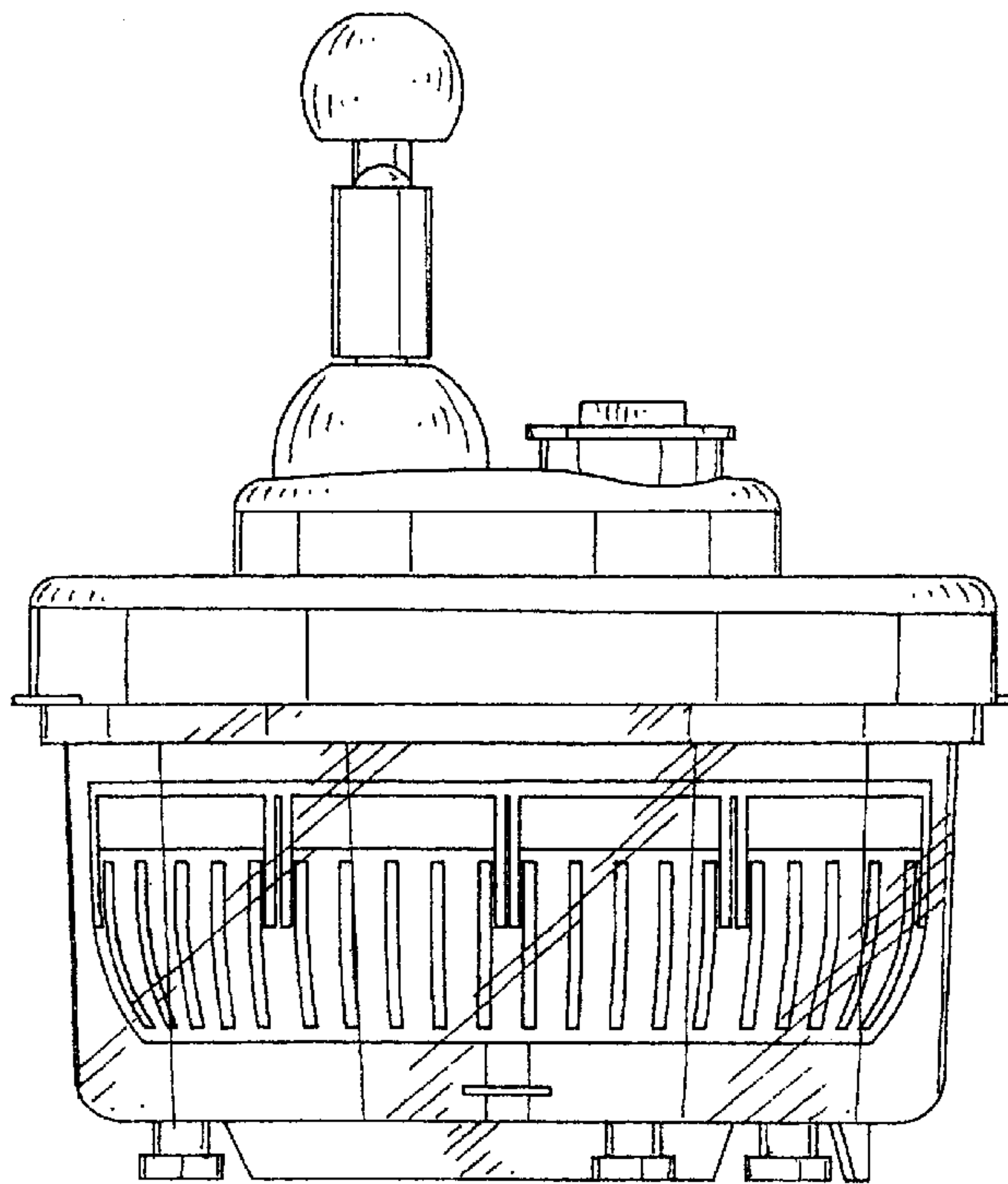


FIG. 8