



US00D426743S

United States Patent [19] Wong

[11] Patent Number: Des. 426,743

[45] Date of Patent: ** Jun. 20, 2000

[54] **FOOD PROCESSOR SET INCLUDING INTERCHANGEABLE ACCESSORIES**

[76] Inventor: **Yan Kwong Wong**, Unit 17, 10th Floor, Metro Centre II, 21 Lam Hing Street, Kowloon Bay, Kowloon, The Hong Kong Special Administrative Region of the People's Republic of China

[**] Term: **14 Years**

[21] Appl. No.: **29/106,491**

[22] Filed: **Jun. 16, 1999**

[30] **Foreign Application Priority Data**

Dec. 18, 1998 [GB] United Kingdom 2079883

[51] **LOC (7) Cl.** **31-00**

[52] **U.S. Cl.** **D7/384**

[58] **Field of Search** D7/376, 380, 381, D7/383, 384, 678, 679, 693, 694; 366/64, 96, 197, 241, 279, 342, 347; 241/101.01

[56] **References Cited**

U.S. PATENT DOCUMENTS

D. 224,674 8/1972 Ashton et al. D7/505

D. 249,044	8/1978	Popell	D7/381
D. 354,886	1/1995	Diefenbach	D7/678
D. 361,694	8/1995	Wong	D7/384
D. 391,804	3/1998	Wong	D7/380
D. 395,194	6/1998	Wong	D7/384
D. 399,711	10/1998	Cohen et al.	D7/673

Primary Examiner—Caron D. Veynar
Attorney, Agent, or Firm—Salter & Michaelson

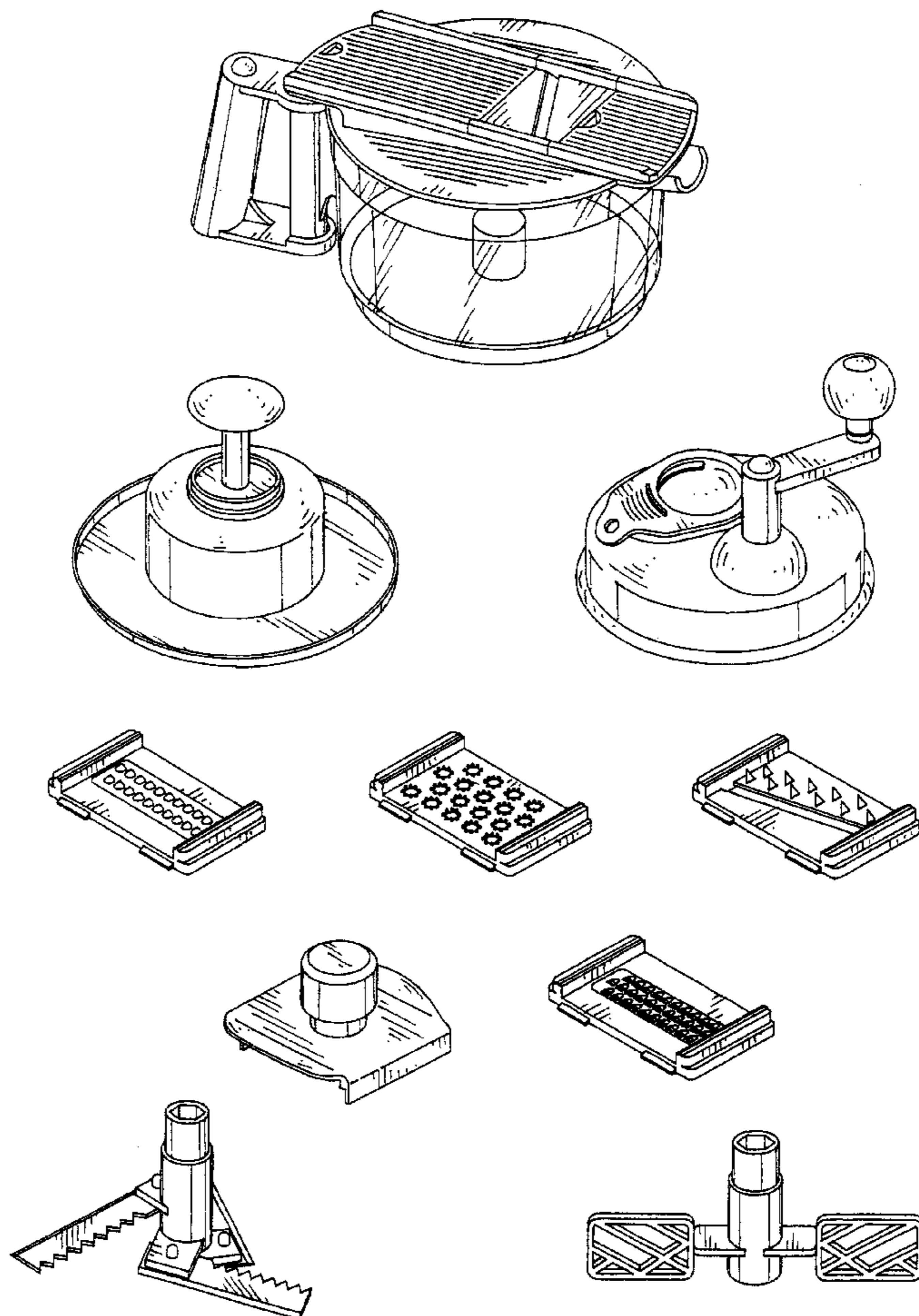
[57] **CLAIM**

The ornamental design for a food processor set including interchangeable accessories, as shown.

DESCRIPTION

FIG. 1 is a perspective view of a food processor set including interchangeable accessories showing my new design; FIG. 2 is a perspective view of the food processor housing showing one of the interchangeable accessories; FIG. 3 is a right side elevational view thereof; FIG. 4 is a left side elevational view thereof; FIG. 5 is a rear elevational view thereof; FIG. 6 is a front elevational view thereof; FIG. 7 is a top plan view thereof; and, FIG. 8 is a bottom plan view thereof.

1 Claim, 4 Drawing Sheets



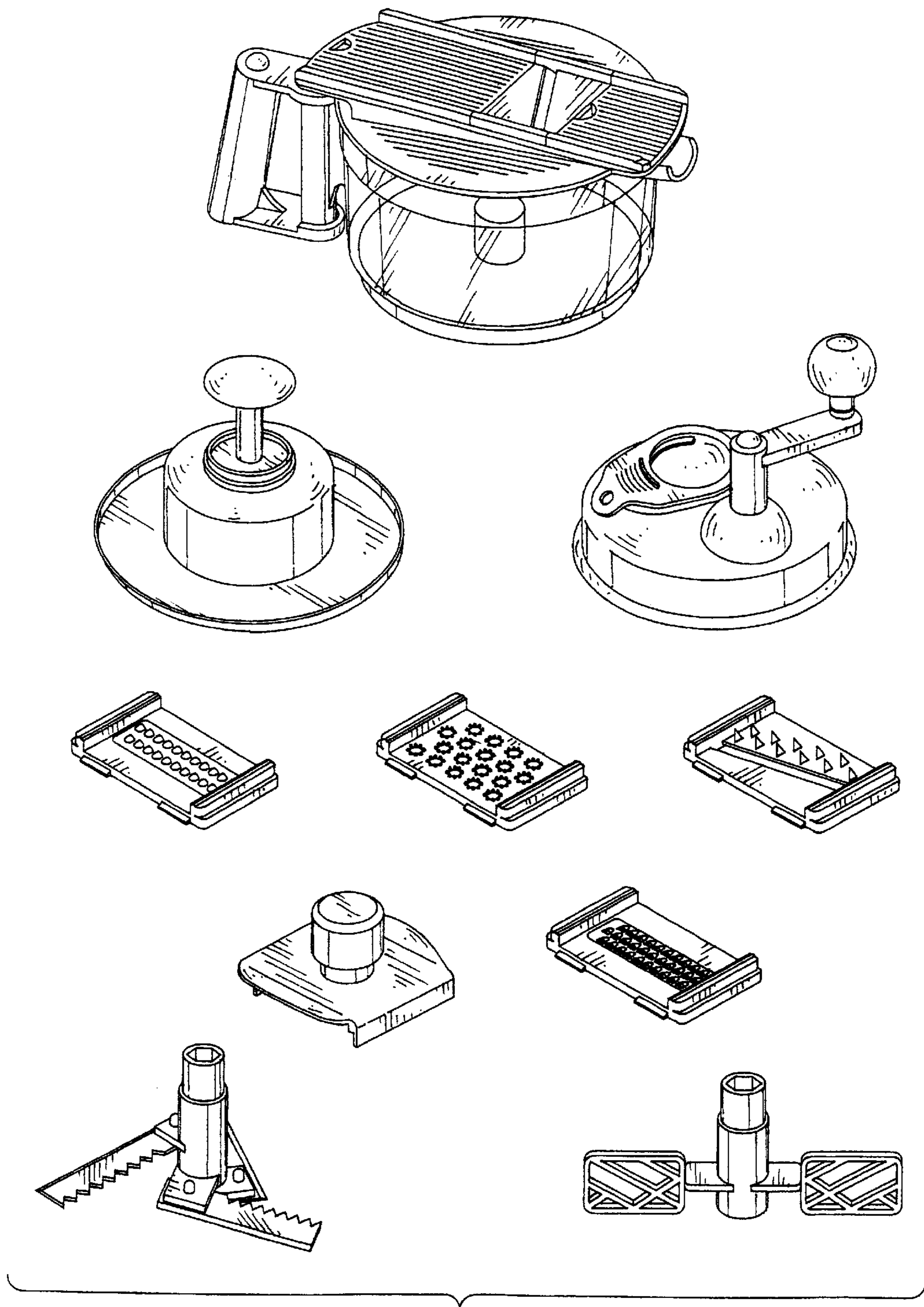


FIG. 1

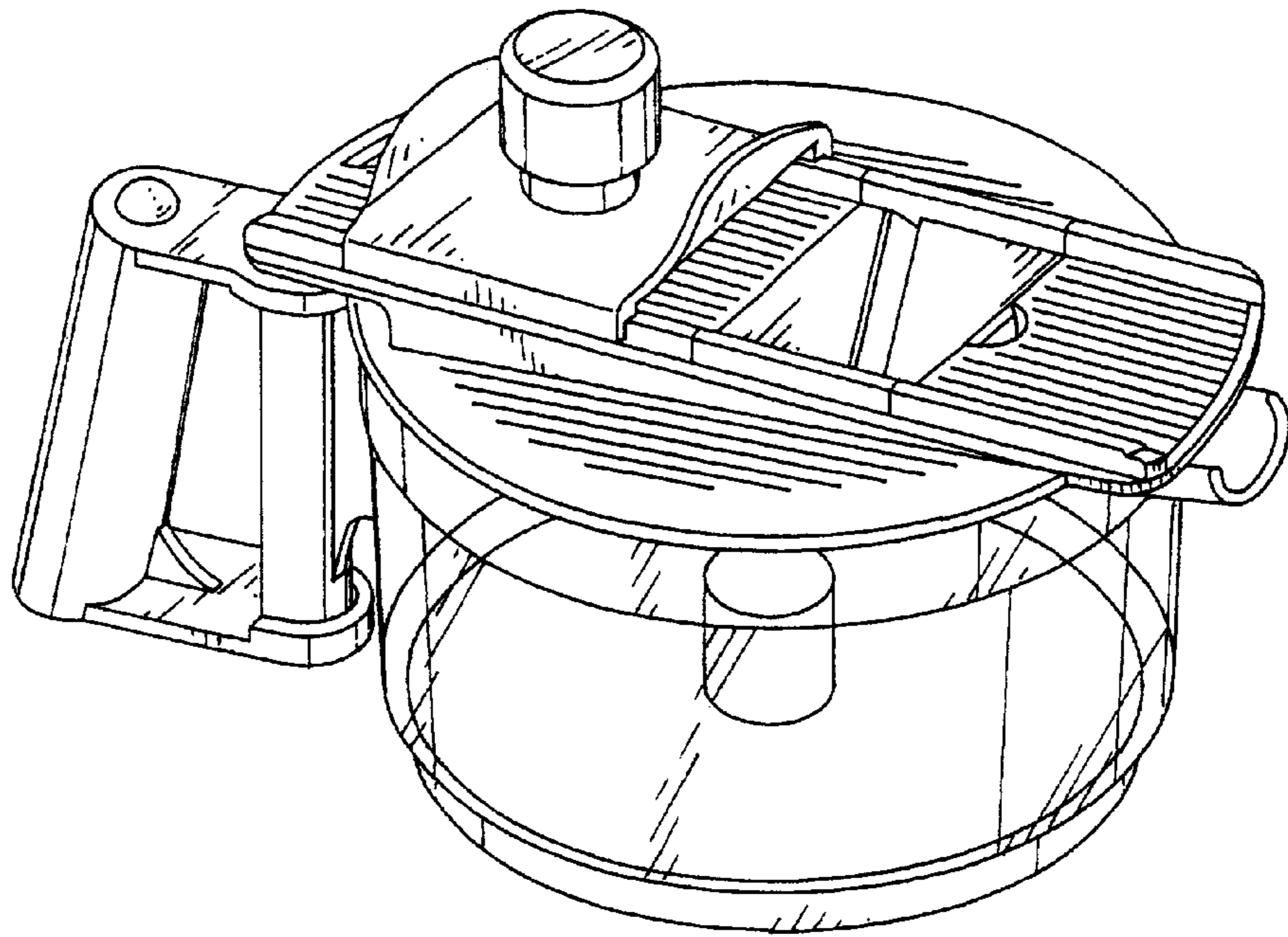


FIG. 2

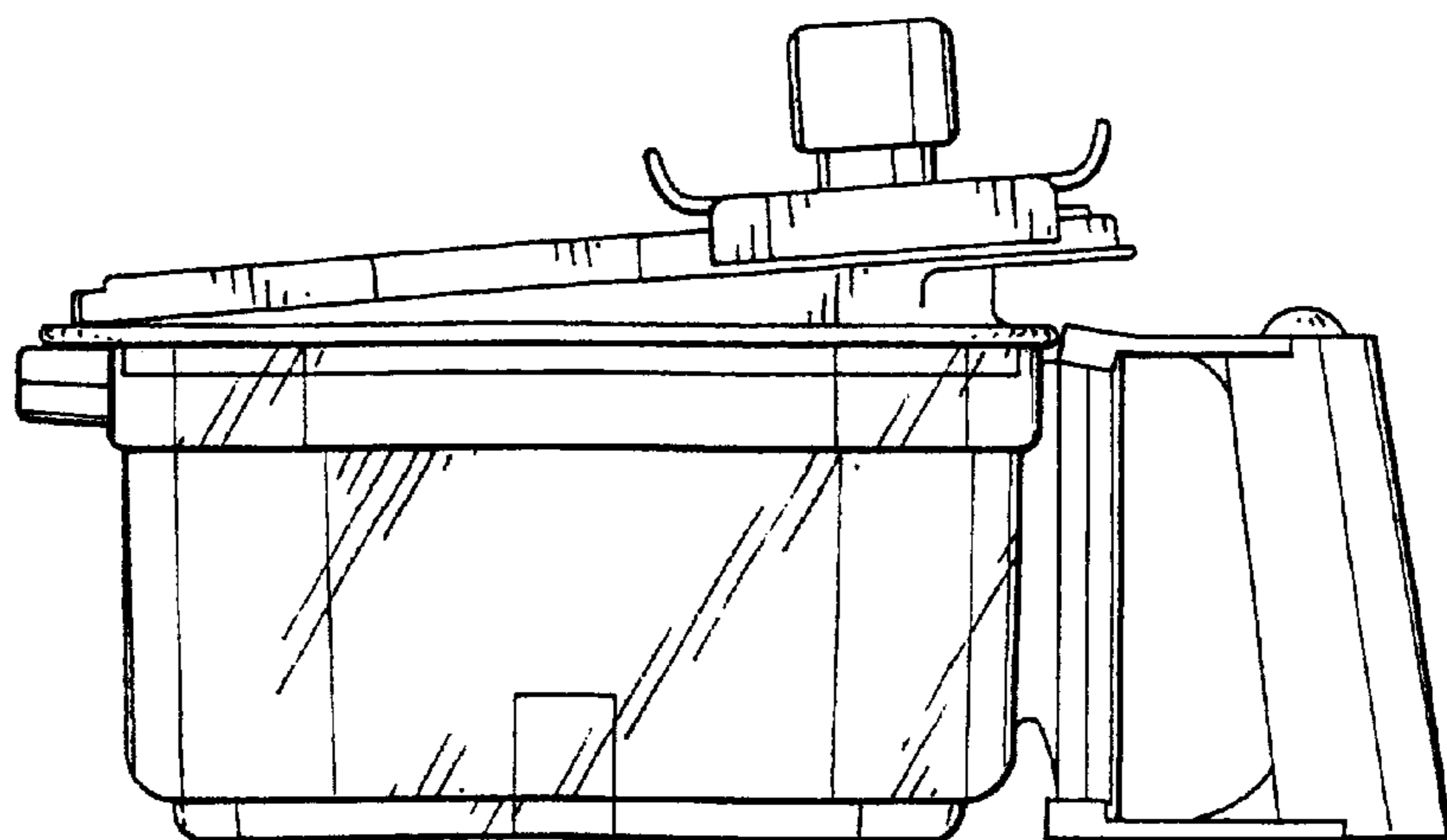


FIG. 3

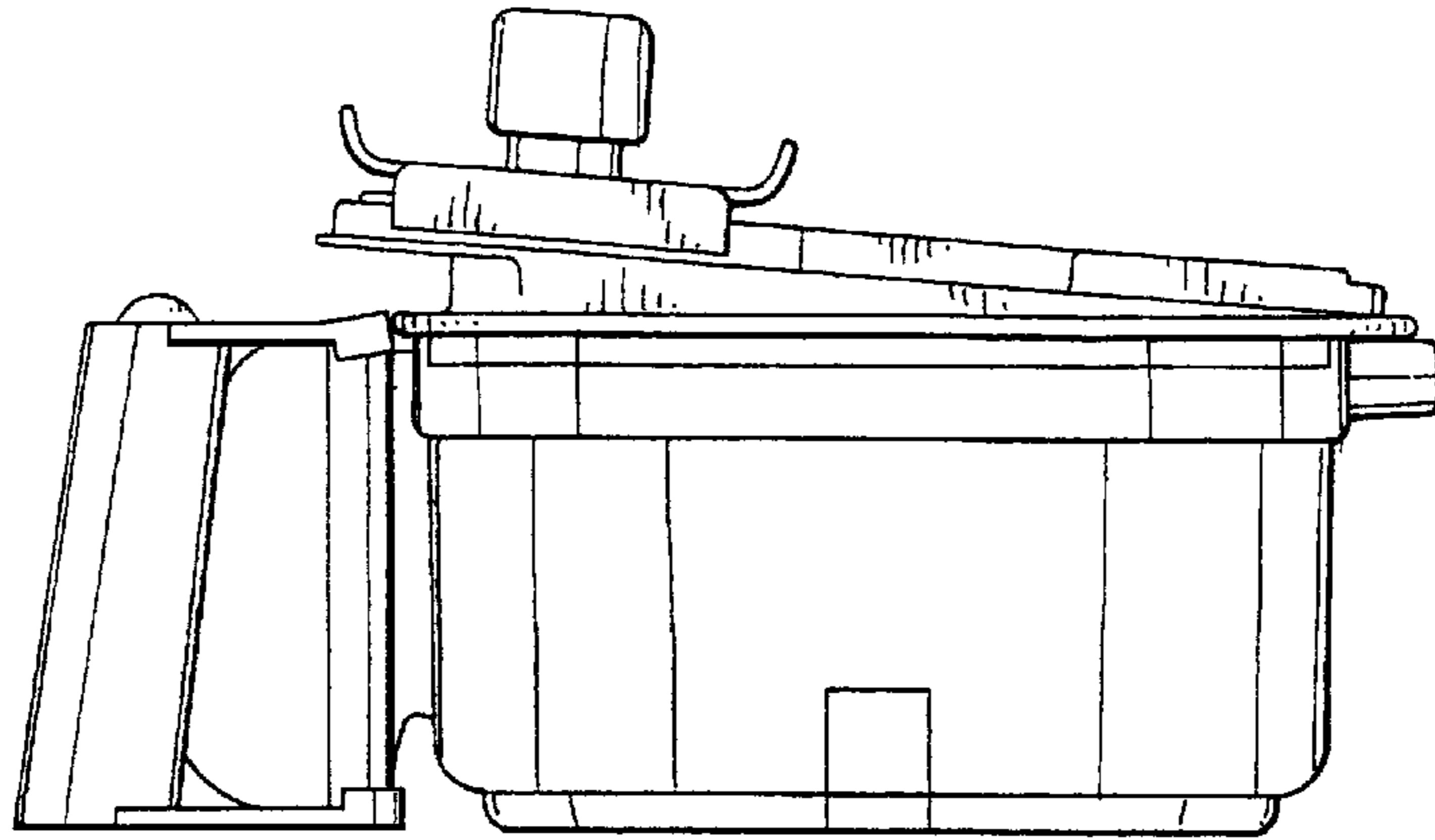


FIG. 4

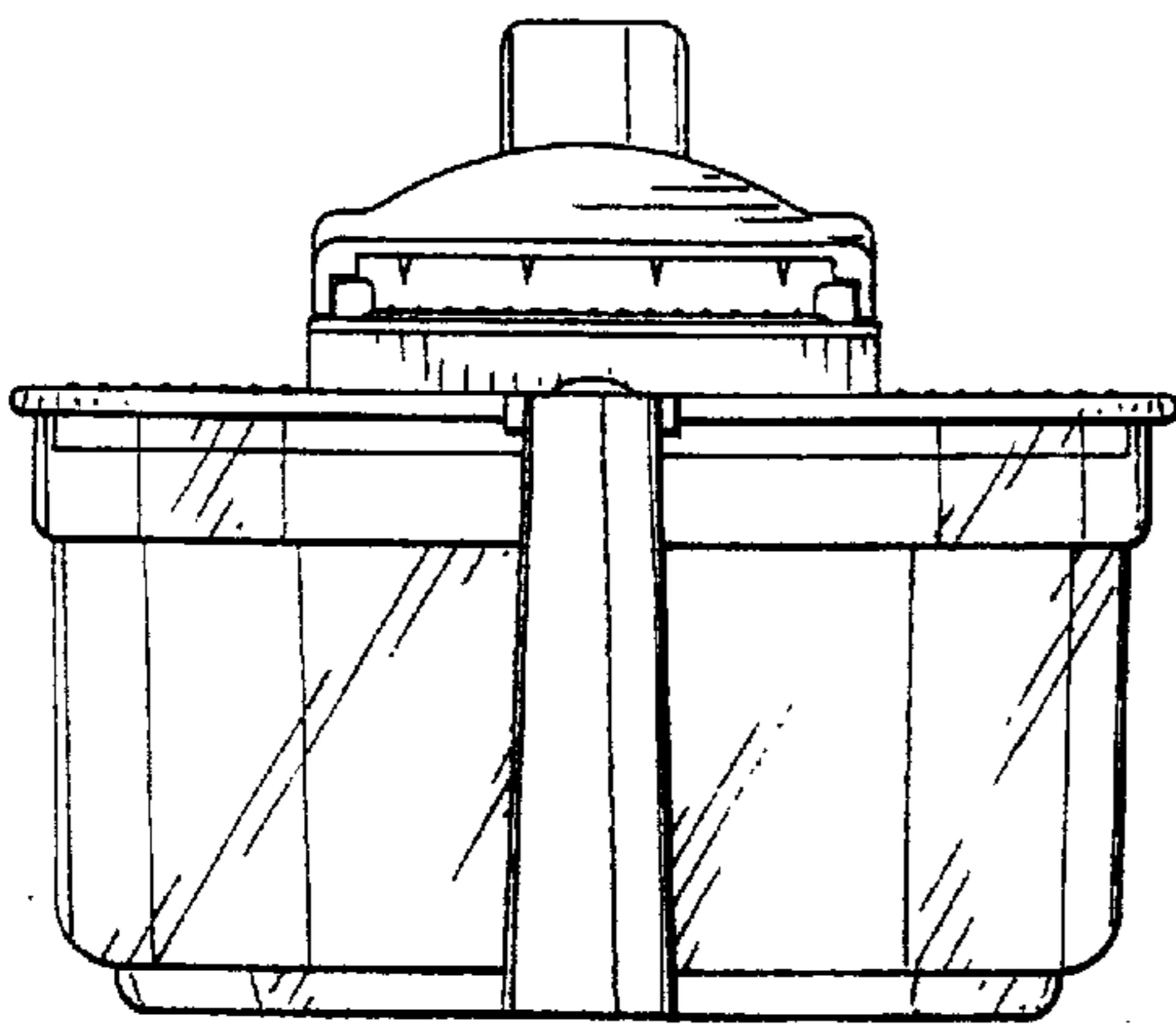


FIG. 5

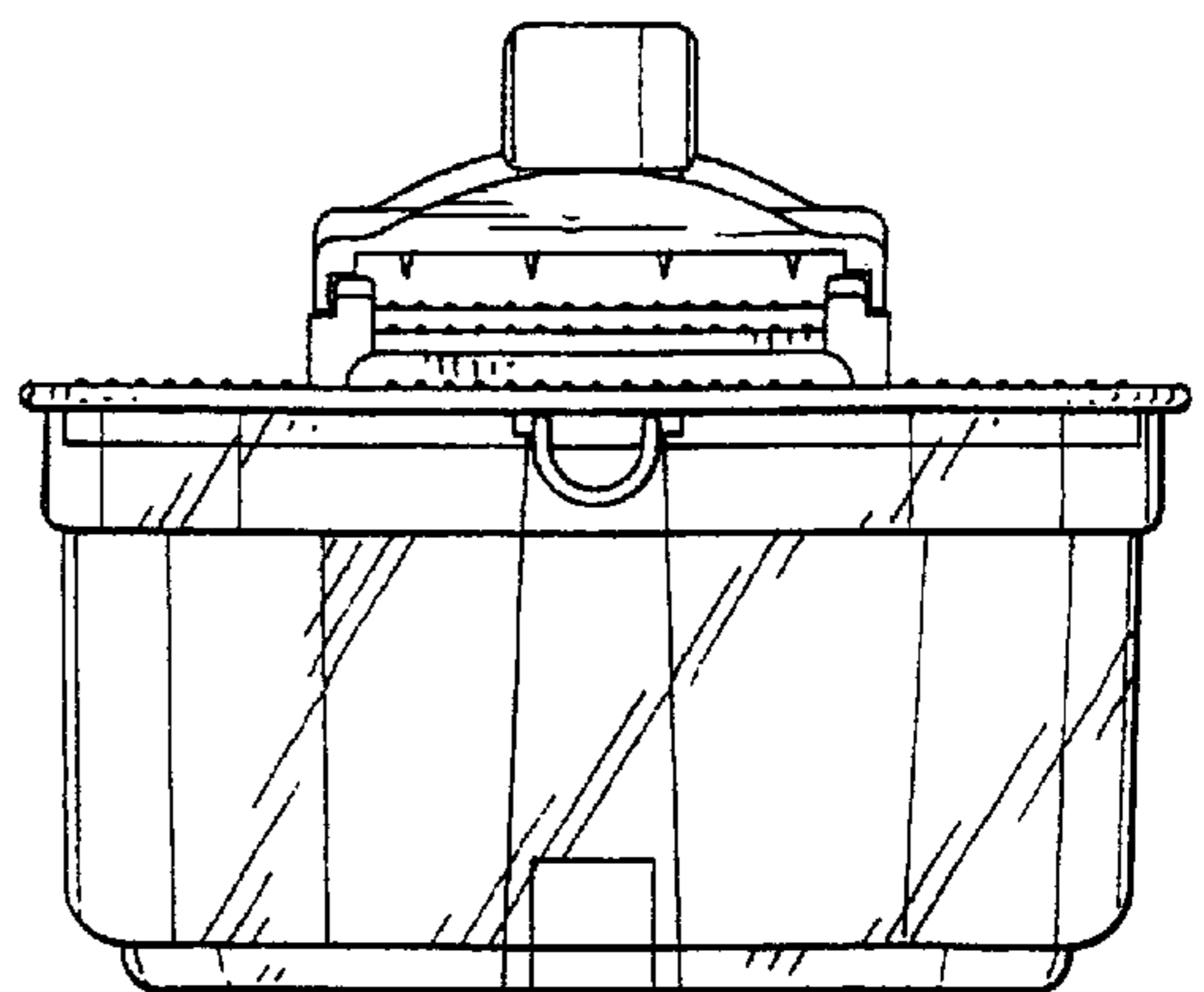


FIG. 6

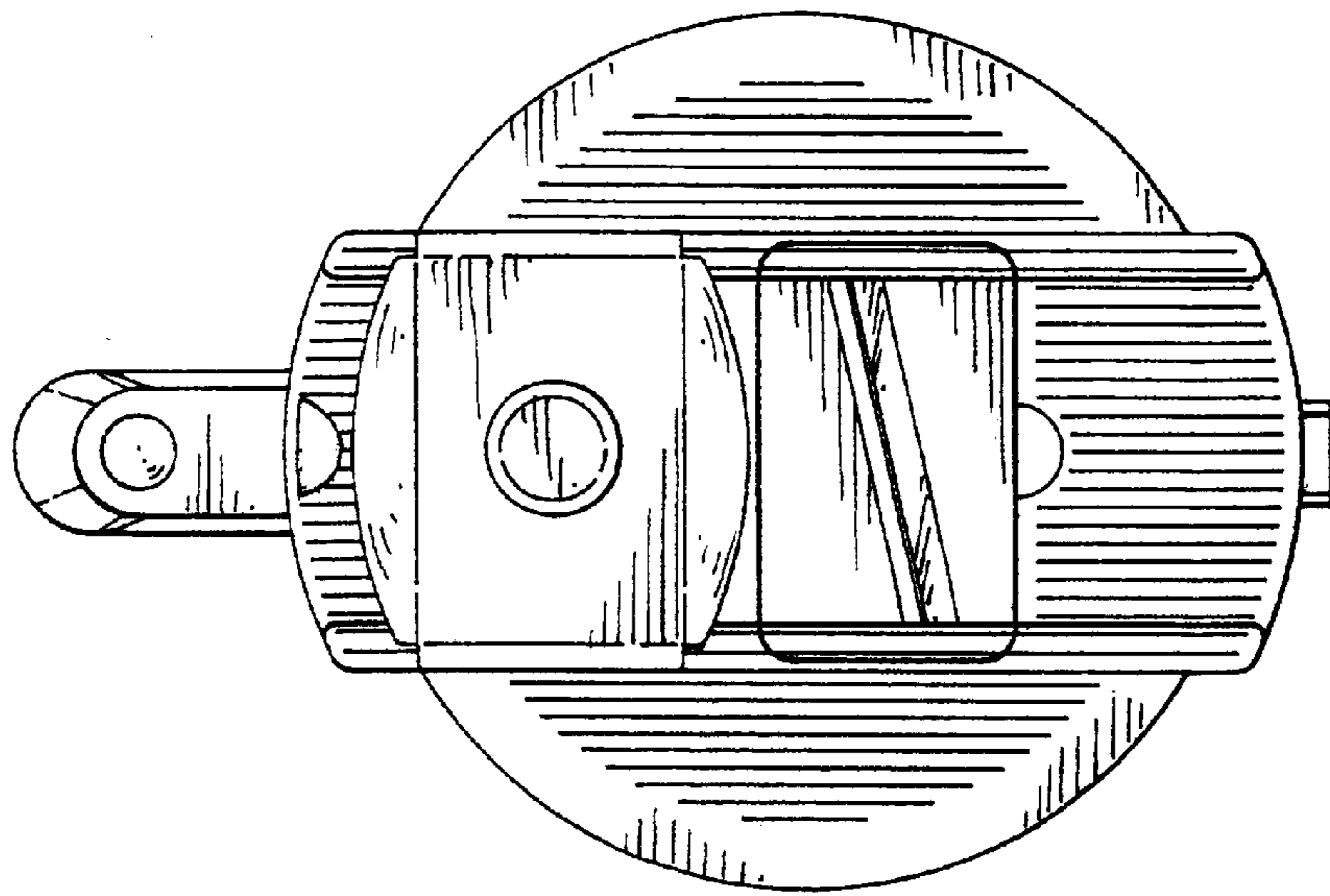


FIG. 7

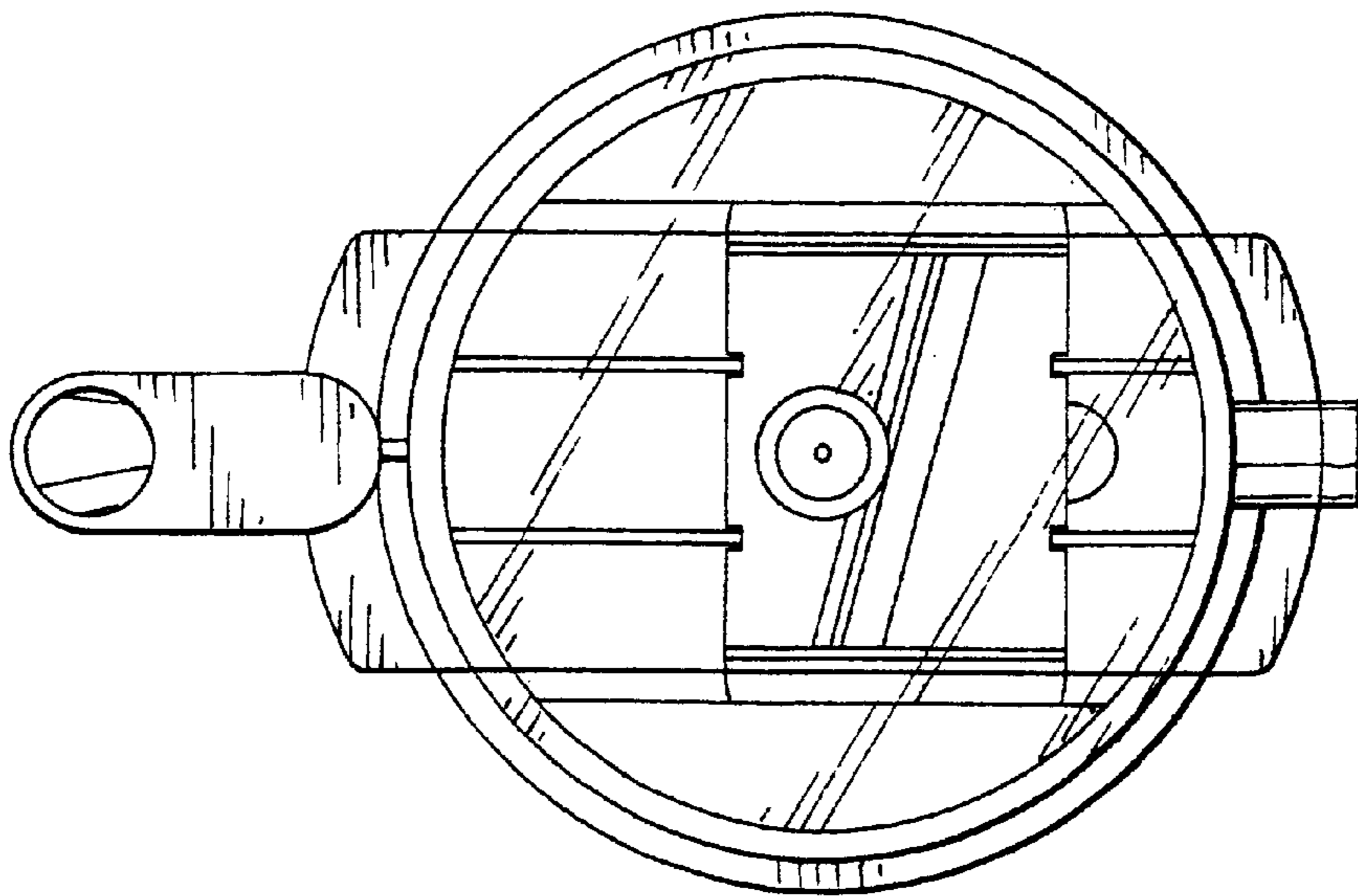


FIG. 8