



US00D426740S

# United States Patent [19] Huang

[11] **Patent Number: Des. 426,740**

[45] **Date of Patent: \*\* Jun. 20, 2000**

[54] **VACUUM FLASK**

[76] **Inventor: Frank T. H. Huang**, Suite 804, No. 128, Sec. 3, Ming-Sheng E Rd., Taipei, Taiwan

[\*\*] **Term: 14 Years**

[21] **Appl. No.: 29/098,815**

[22] **Filed: Jan. 6, 1999**

[51] **LOC (7) Cl. .... 07-01**

[52] **U.S. Cl. .... D7/318; D7/317; D7/321**

[58] **Field of Search** ..... D7/300, 312, 316, D7/317, 318, 319, 321, 322, 392, 598, 605, 608, 301, 302, 303; 215/13.1; 222/564, 570; 220/300, 293, 756; 99/283, 287

[56] **References Cited**

**U.S. PATENT DOCUMENTS**

- D. 178,658 9/1956 Guild et al. .
- D. 288,890 3/1987 Lebowitz ..... D7/322
- D. 333,753 3/1993 Ancona et al. .... D7/321

- D. 343,759 2/1994 Jorgensen ..... D7/318
- D. 363,188 10/1995 Saltet ..... D7/318
- D. 402,154 12/1998 Joergensen ..... D7/318
- D. 411,405 6/1999 Thurlow ..... D7/321
- D. 413,039 8/1999 Schulein ..... D7/322
- D. 415,648 10/1999 Joergensen ..... D7/317

*Primary Examiner*—M. N. Pandozzi

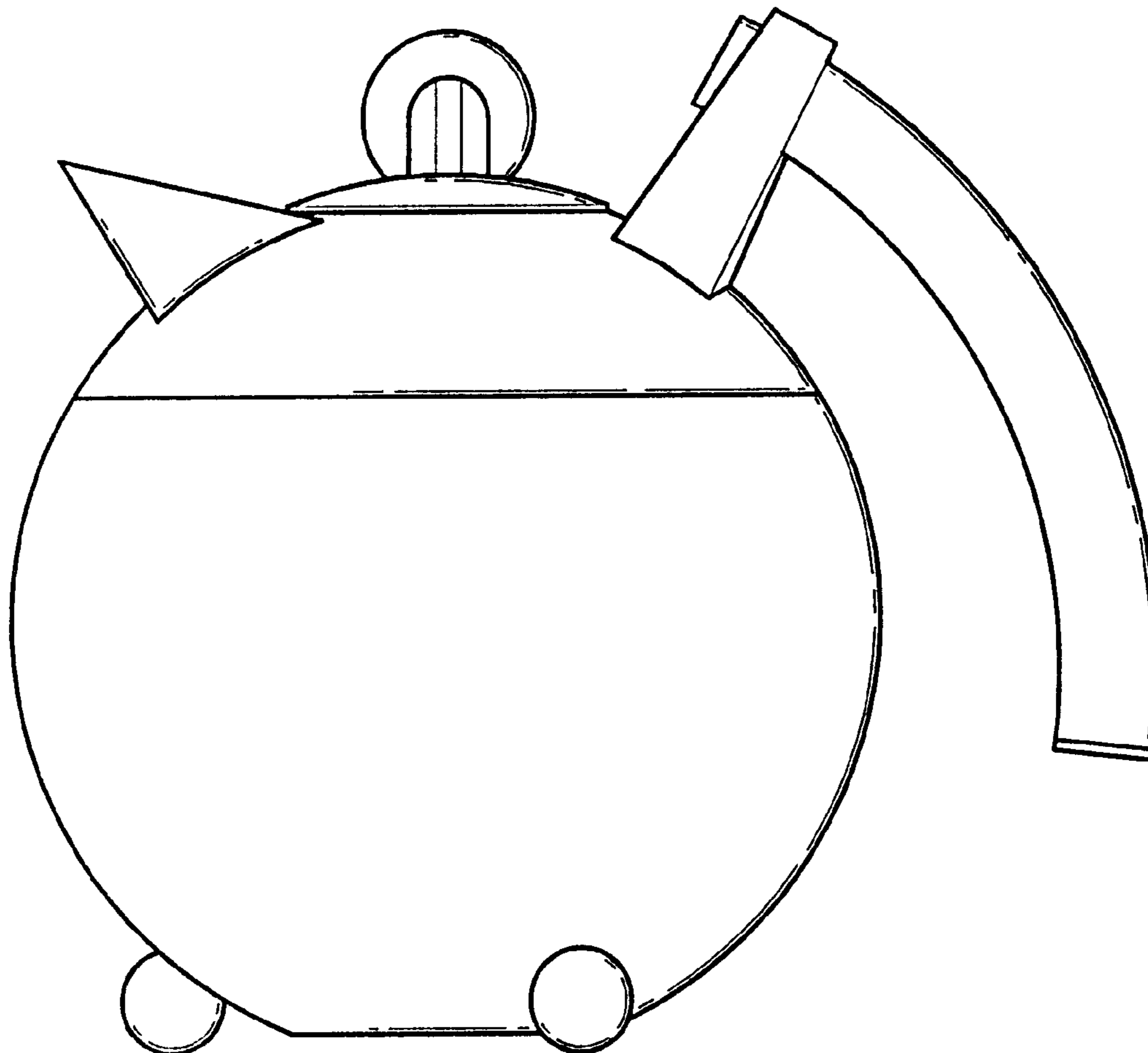
[57] **CLAIM**

The ornamental design for a vacuum flask, as shown and described.

**DESCRIPTION**

FIG. 1 is a perspective view of a vacuum flask showing our new design thereof;  
 FIG. 2 is a right side elevational view thereof;  
 FIG. 3 is a top plan view thereof;  
 FIG. 4 is a front elevational view thereof;  
 FIG. 5 is a bottom plan view thereof;  
 FIG. 6 is a left side elevational view thereof; and,  
 FIG. 7 is a rear side view thereof.

**1 Claim, 4 Drawing Sheets**



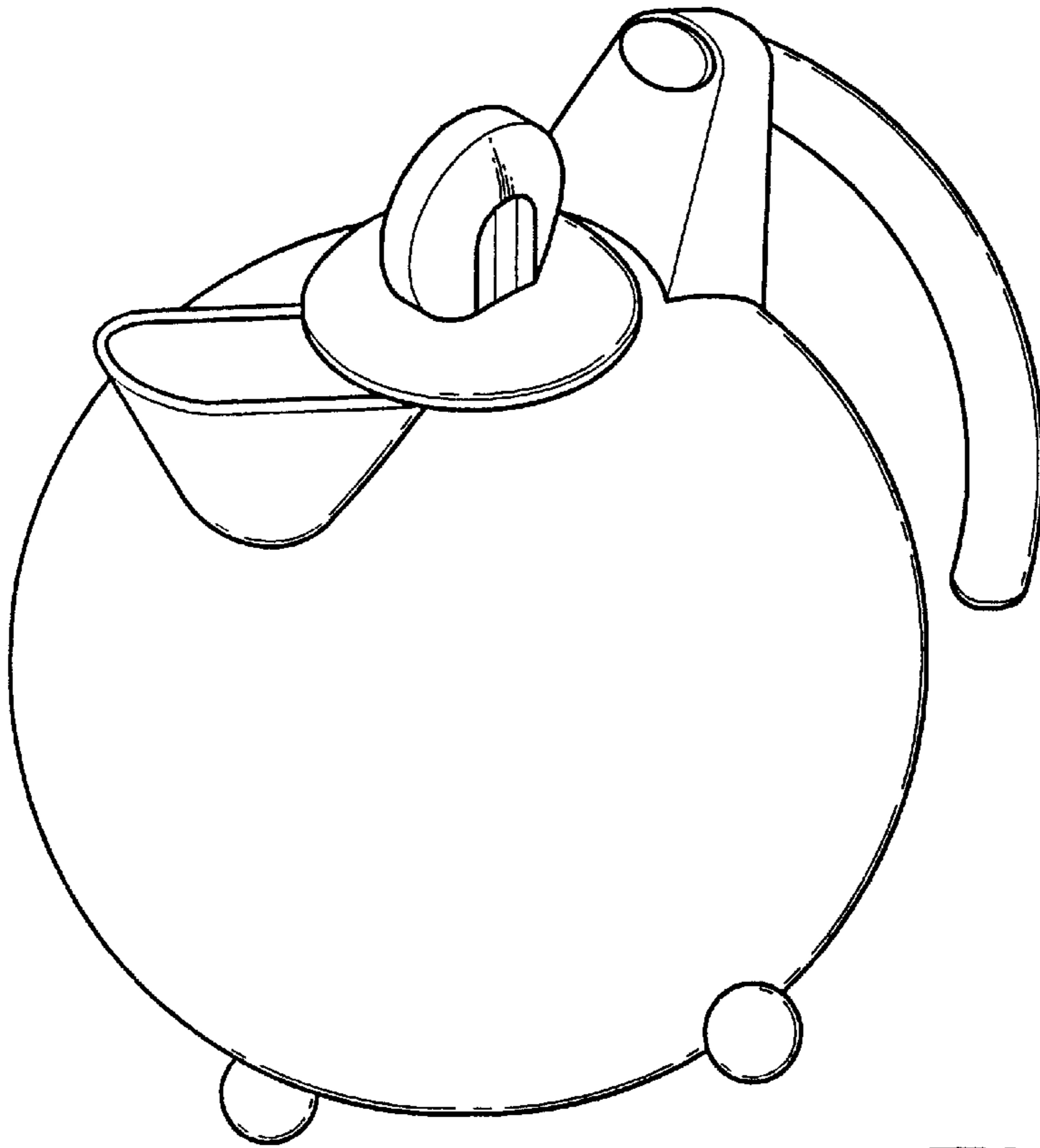


Fig. 1

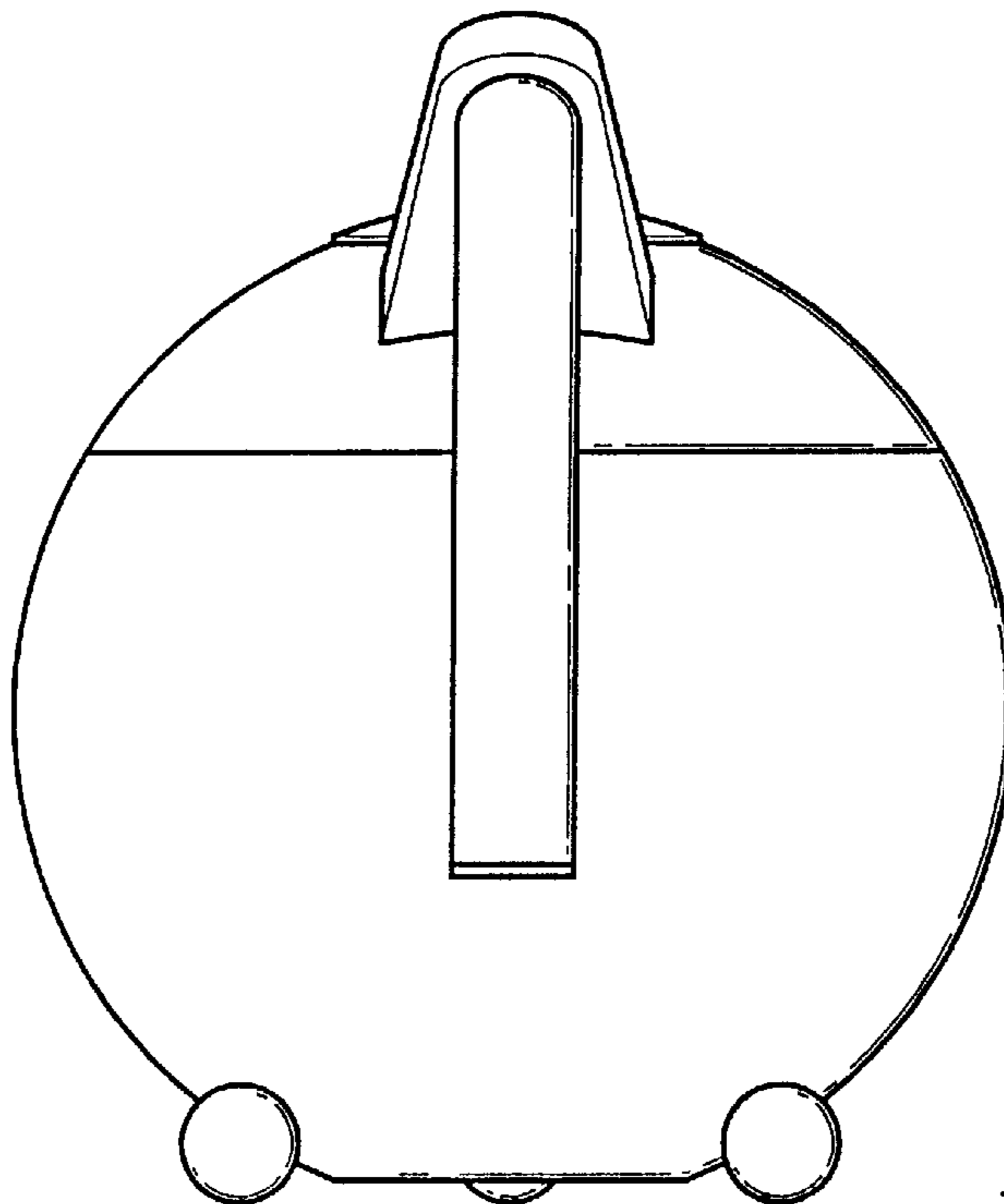


Fig. 2

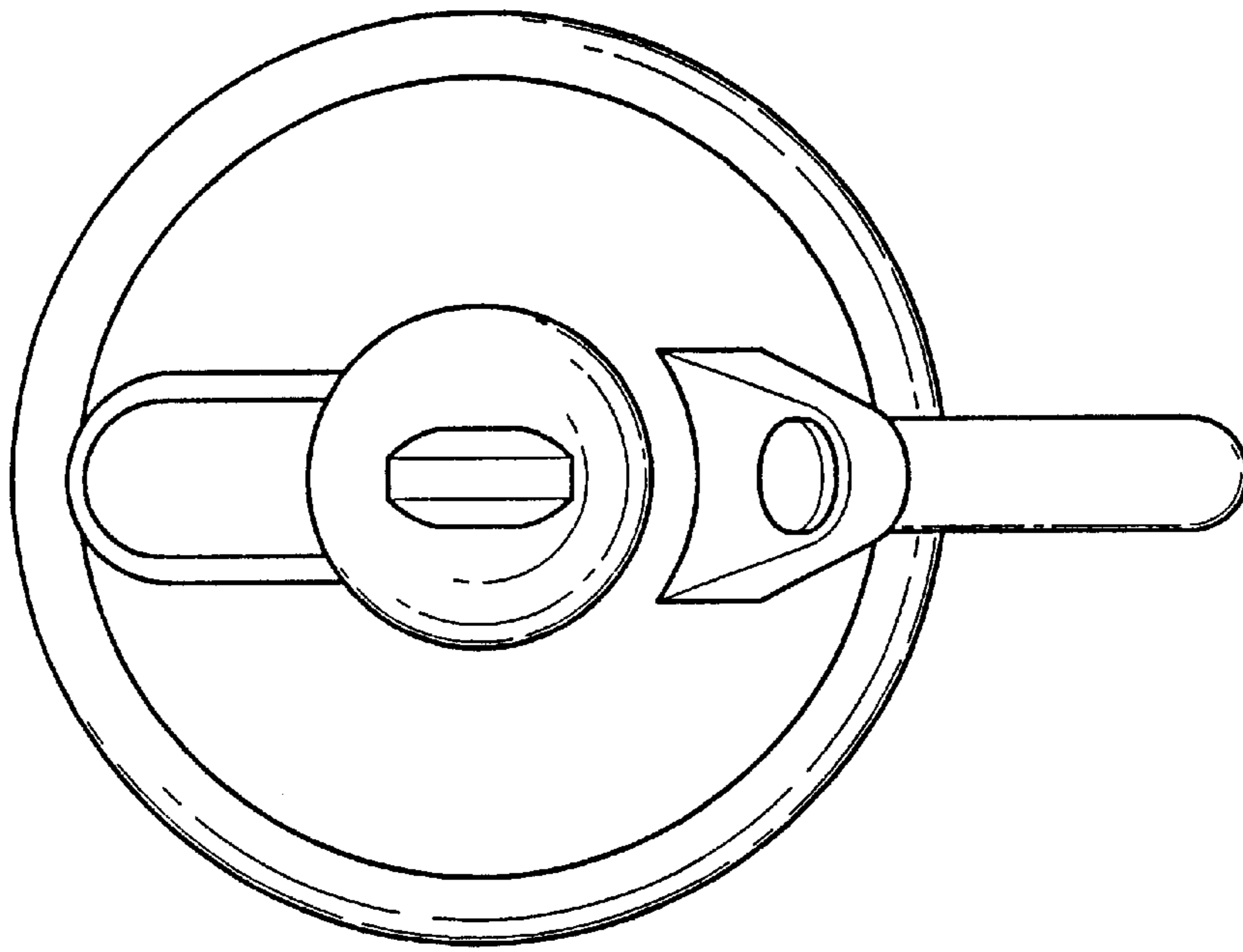


Fig. 3

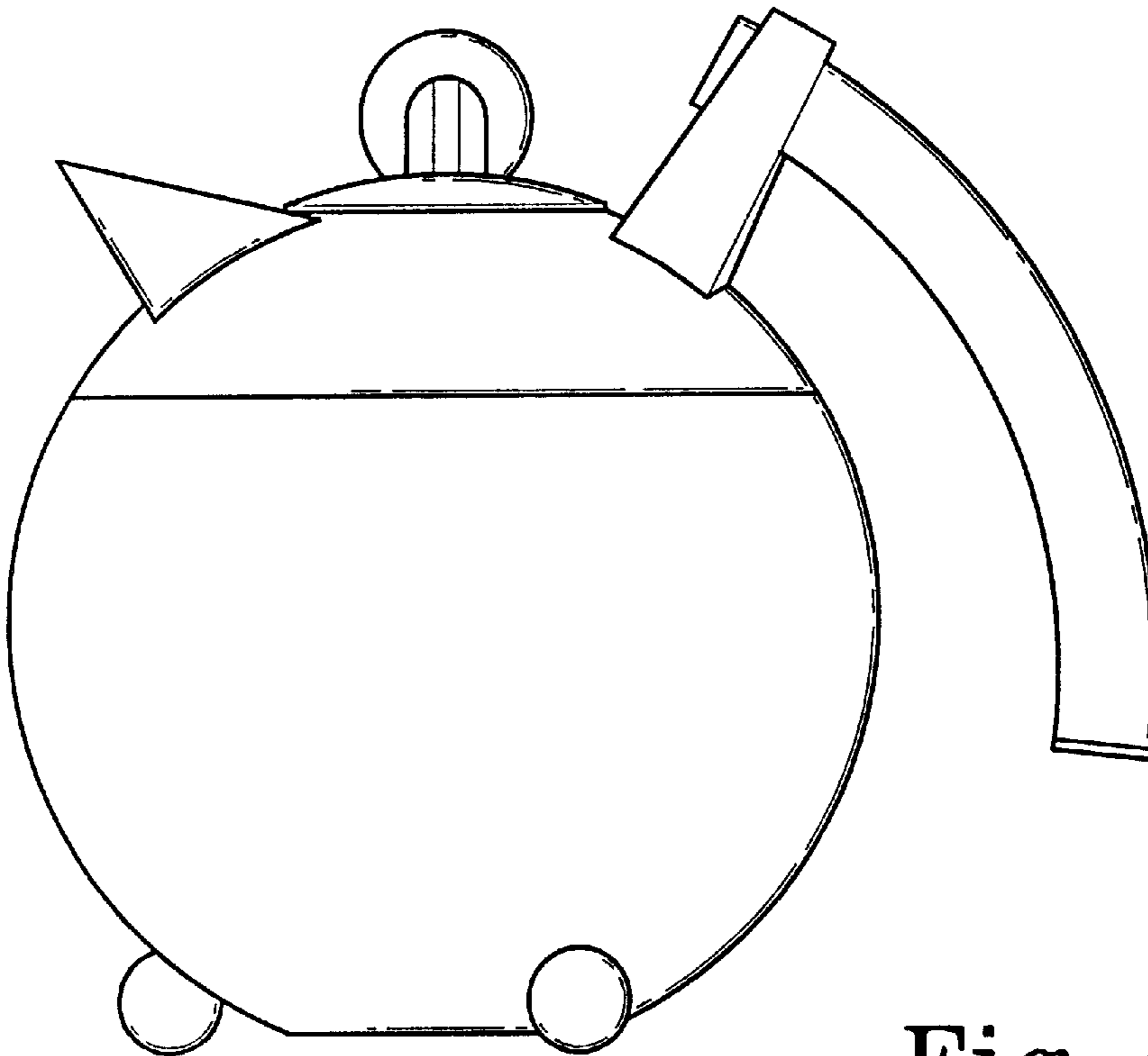


Fig. 4

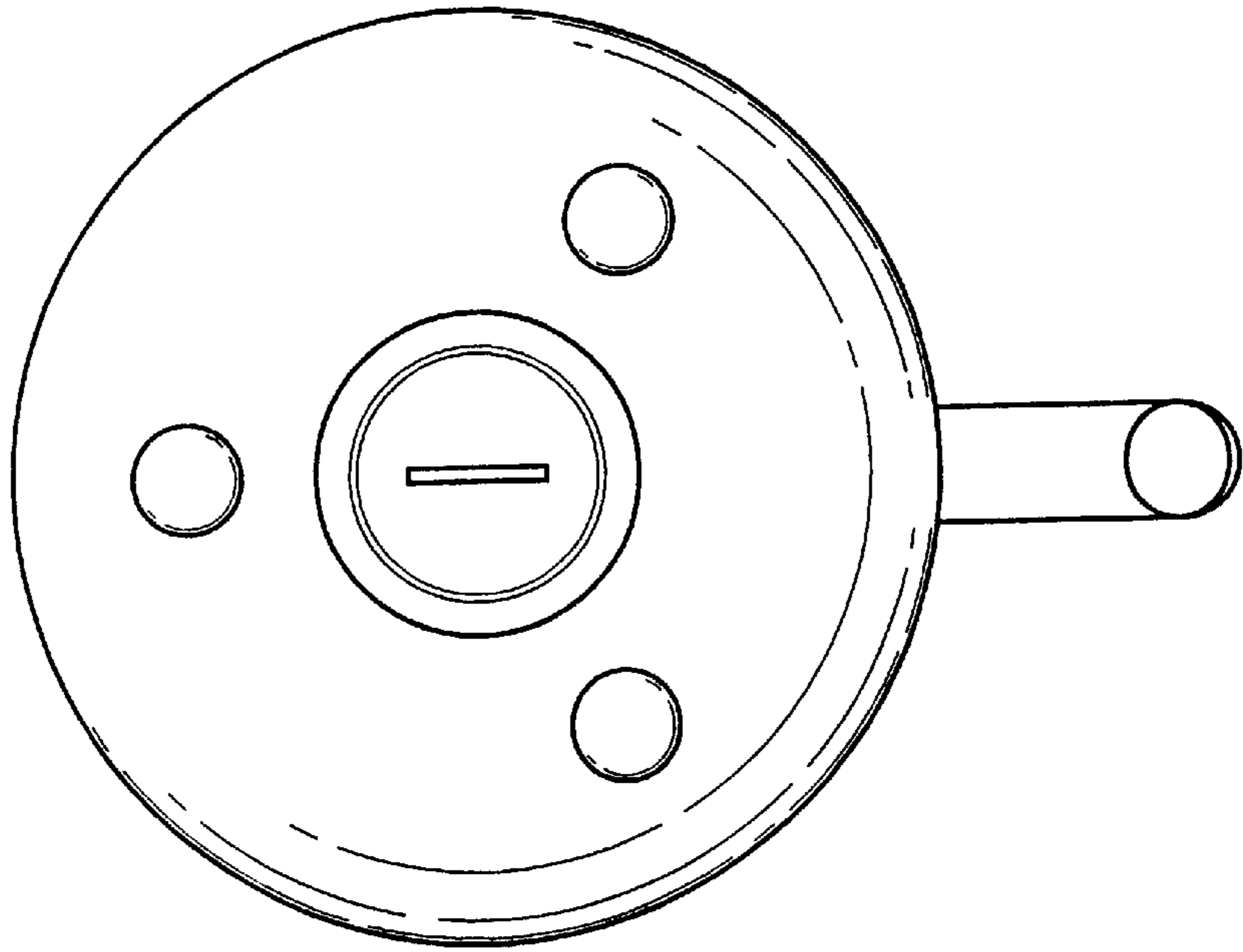


Fig. 5

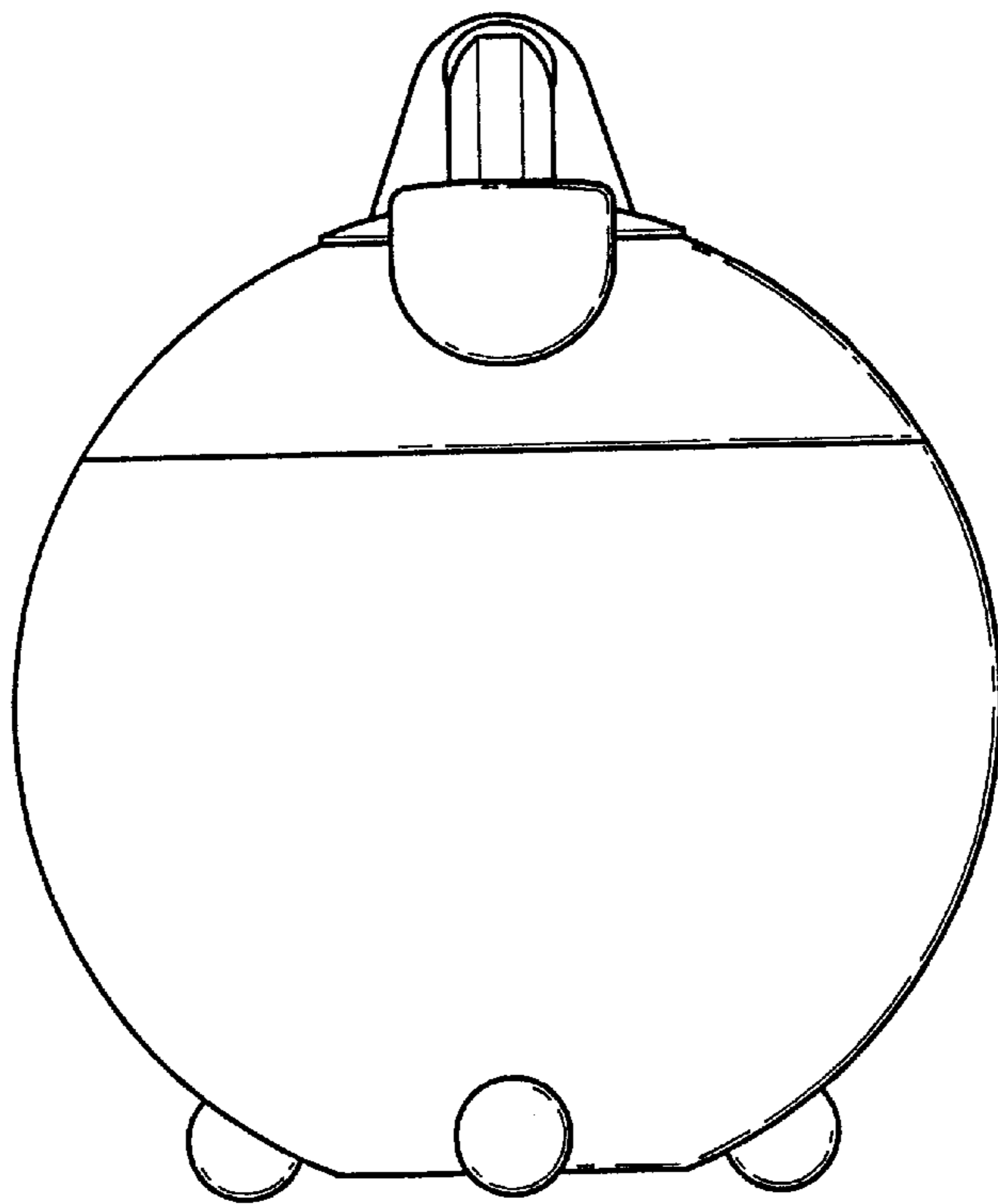


Fig. 6

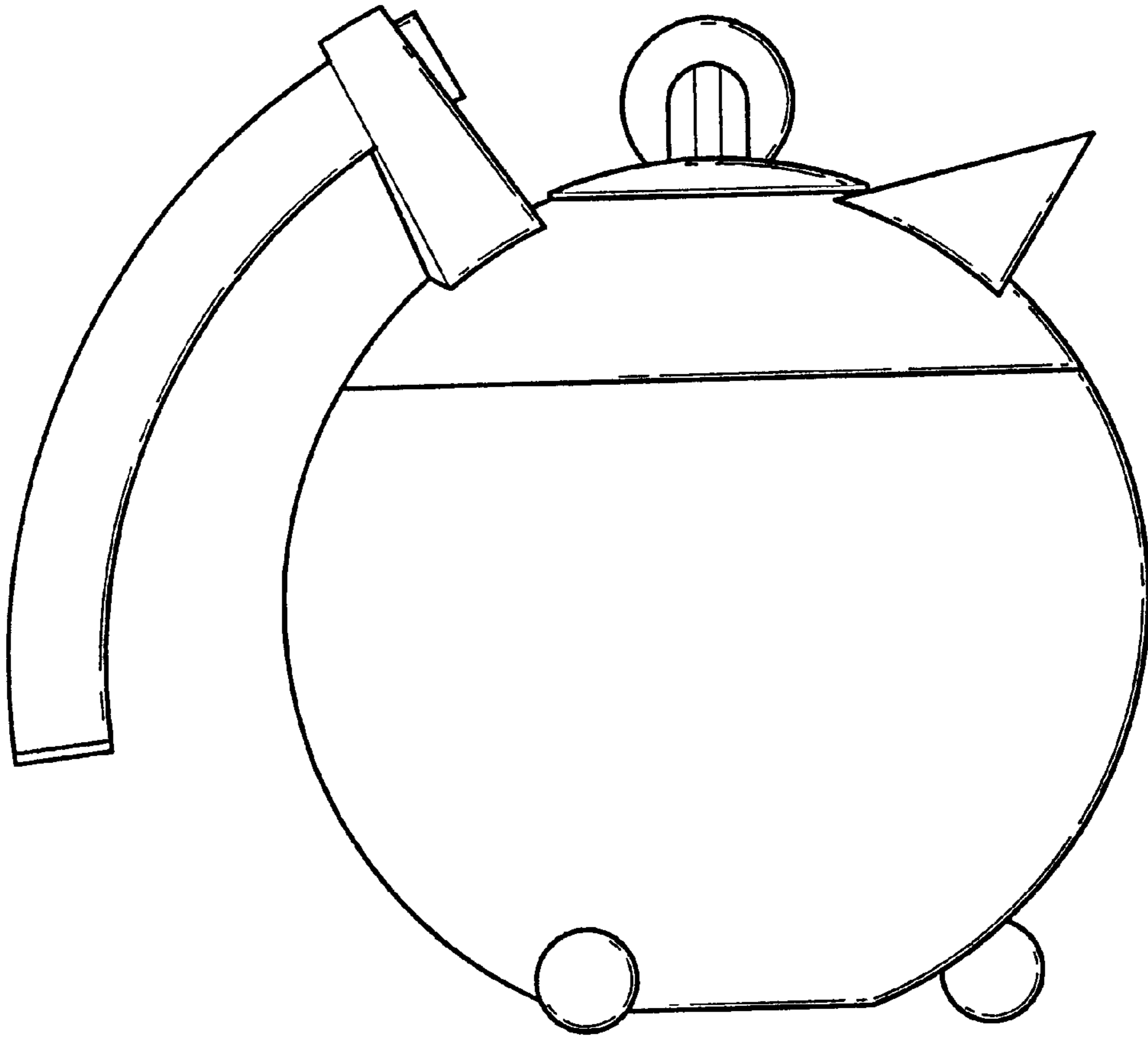


Fig. 7