



US00D426739S

United States Patent [19]

Kidder et al.

[11] Patent Number: **Des. 426,739**

[45] Date of Patent: **** Jun. 20, 2000**

[54] **FUTON MATTRESS**

[75] Inventors: **Kelly P. Kidder**, Stillwater; **Dan E. Duval**, Ellsworth, both of Minn.

[73] Assignee: **Federal Foam Technologies, Inc.**, St. Paul, Minn.

[**] Term: **14 Years**

[21] Appl. No.: **29/101,853**

[22] Filed: **Mar. 12, 1999**

[51] **LOC (7) Cl.** **06-09**

[52] **U.S. Cl.** **D6/596; D6/601**

[58] **Field of Search** D6/595, 596, 601, D6/604, 605, 335; 5/652, 653-655, 655.9, 739, 740, 12.1

[56] **References Cited**

U.S. PATENT DOCUMENTS

2,830,306	4/1958	Wagner et al.	5/739
3,242,511	3/1966	Fultz et al.	5/490
4,070,719	1/1978	Morgan	5/355
4,207,636	6/1980	Ceriani	5/739
4,330,892	5/1982	Fukushima	5/437
4,397,053	8/1983	Fanti	5/481
4,524,473	6/1985	Fanti	5/481
4,538,308	9/1985	Grigoriev	5/37 C
4,673,452	6/1987	Awdhan	5/481

4,879,776	11/1989	Farley	5/436
4,928,337	5/1990	Chauncey	5/465
4,965,901	10/1990	Normand	5/465
5,083,335	1/1992	Krouskop et al.	5/464
5,636,397	6/1997	Boyd et al.	5/739
5,782,408	7/1998	Carter	239/34

Primary Examiner—Janice E. Seeger
Attorney, Agent, or Firm—Chad A. Klingbeil; Craig J. Lervick; Oppenheimer Wolff & Donnelly LLP

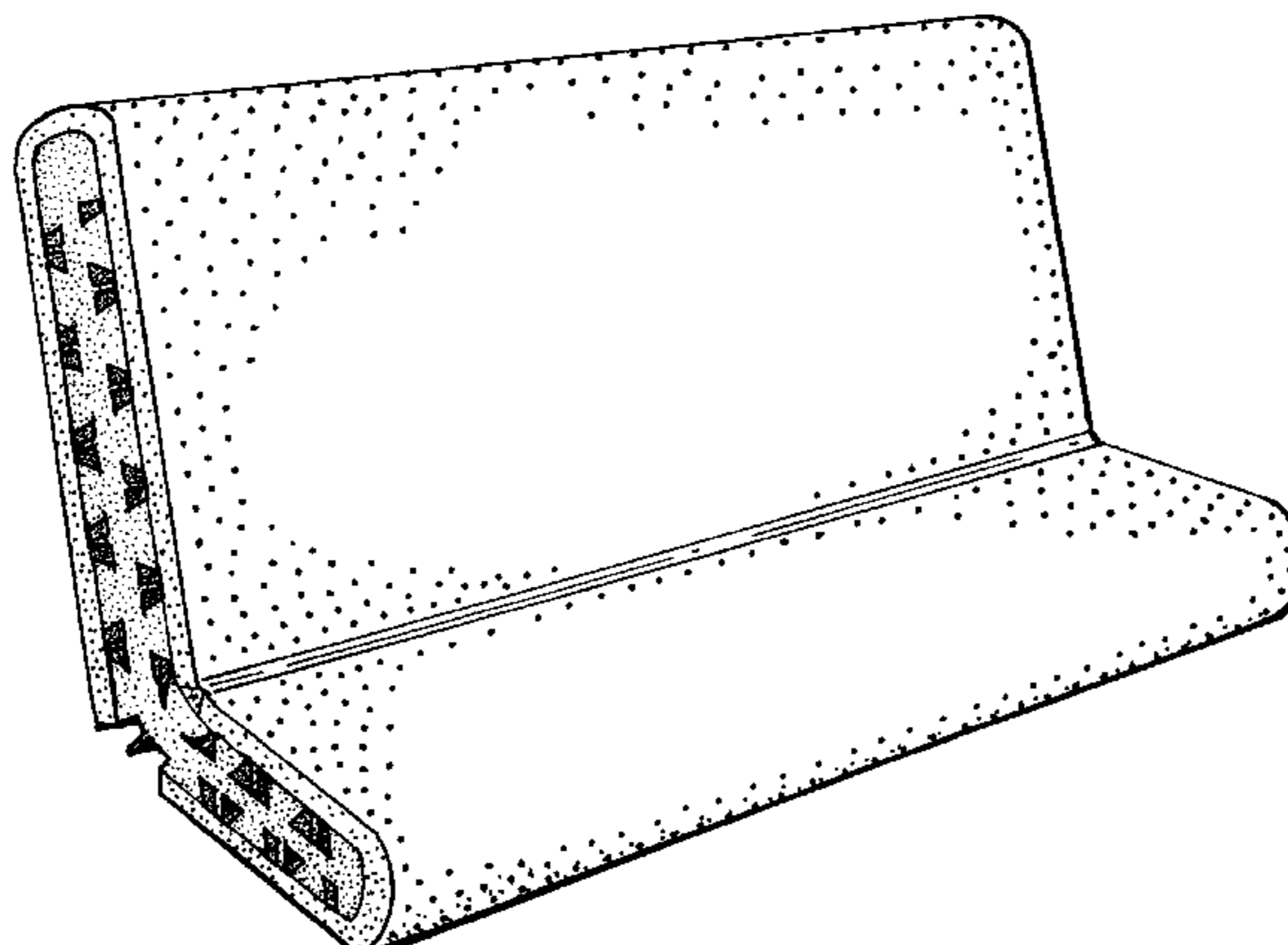
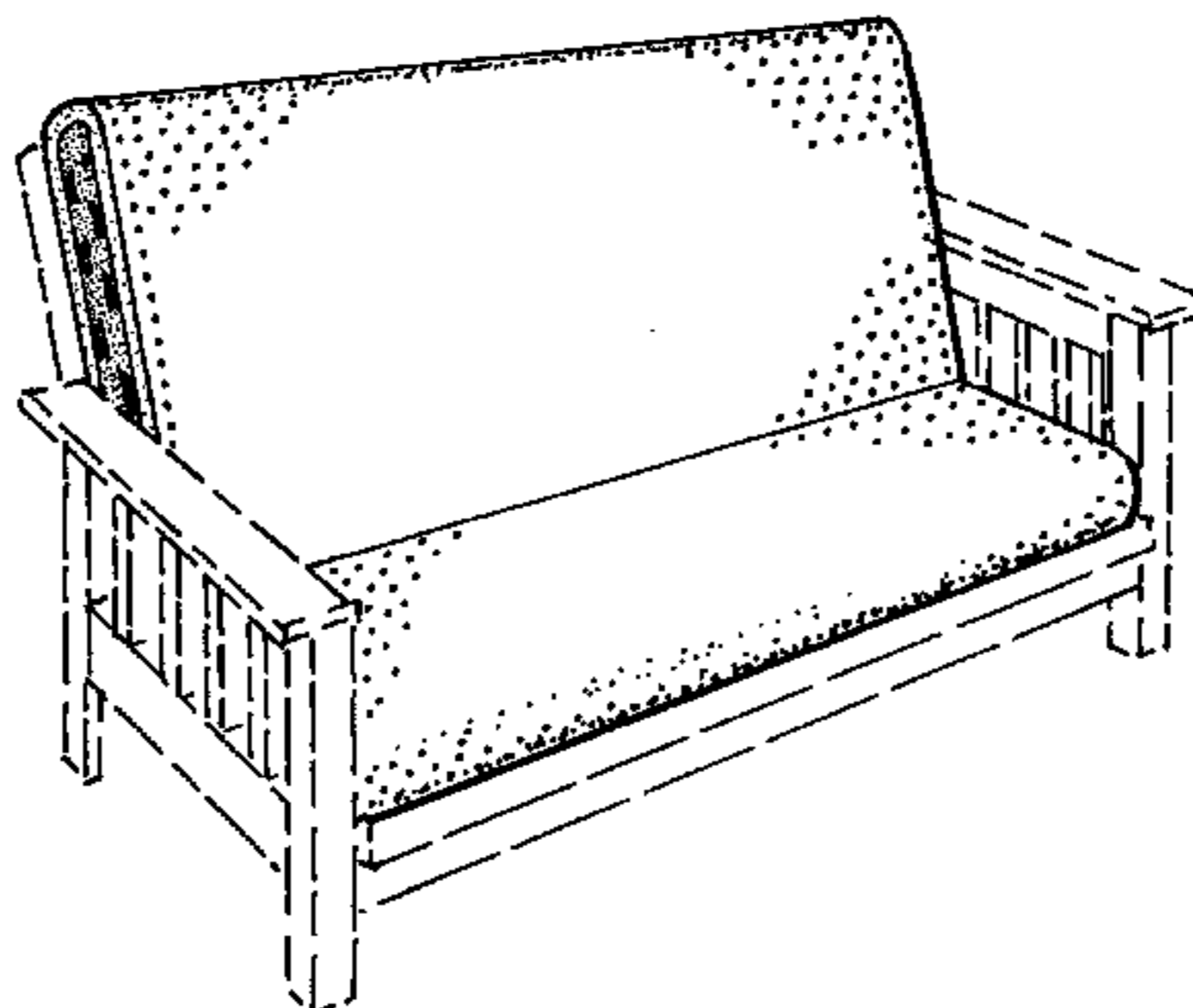
[57] **CLAIM**

The ornamental design for a futon mattress, as shown and described.

DESCRIPTION

FIG. 1 is a perspective view of a futon mattress, showing our new design; the broken lines are for environmental purposes only and form no part of the claimed design.
FIG. 2 is a perspective view of the futon mattress without the frame, showing the end detail;
FIG. 3 is a perspective view of the mattress in a flat position;
FIG. 4 is a front elevational view thereof the rear being identical thereto;
FIG. 5 is a side elevational view thereof the opposite side being a mirror image thereof;
FIG. 6 is a top plan thereof; and,
FIG. 7 is a bottom plan view thereof.

1 Claim, 4 Drawing Sheets



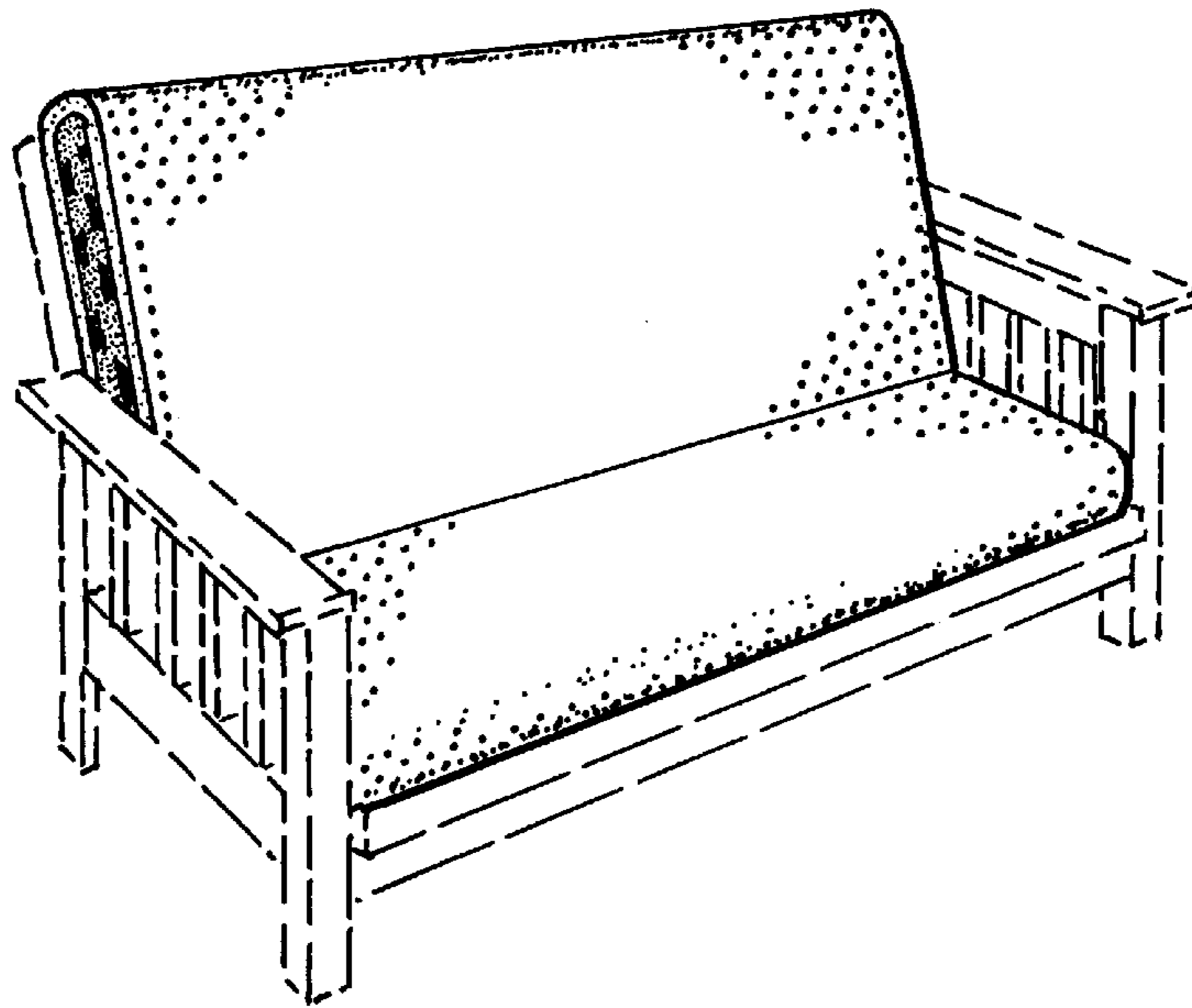


FIG. 1

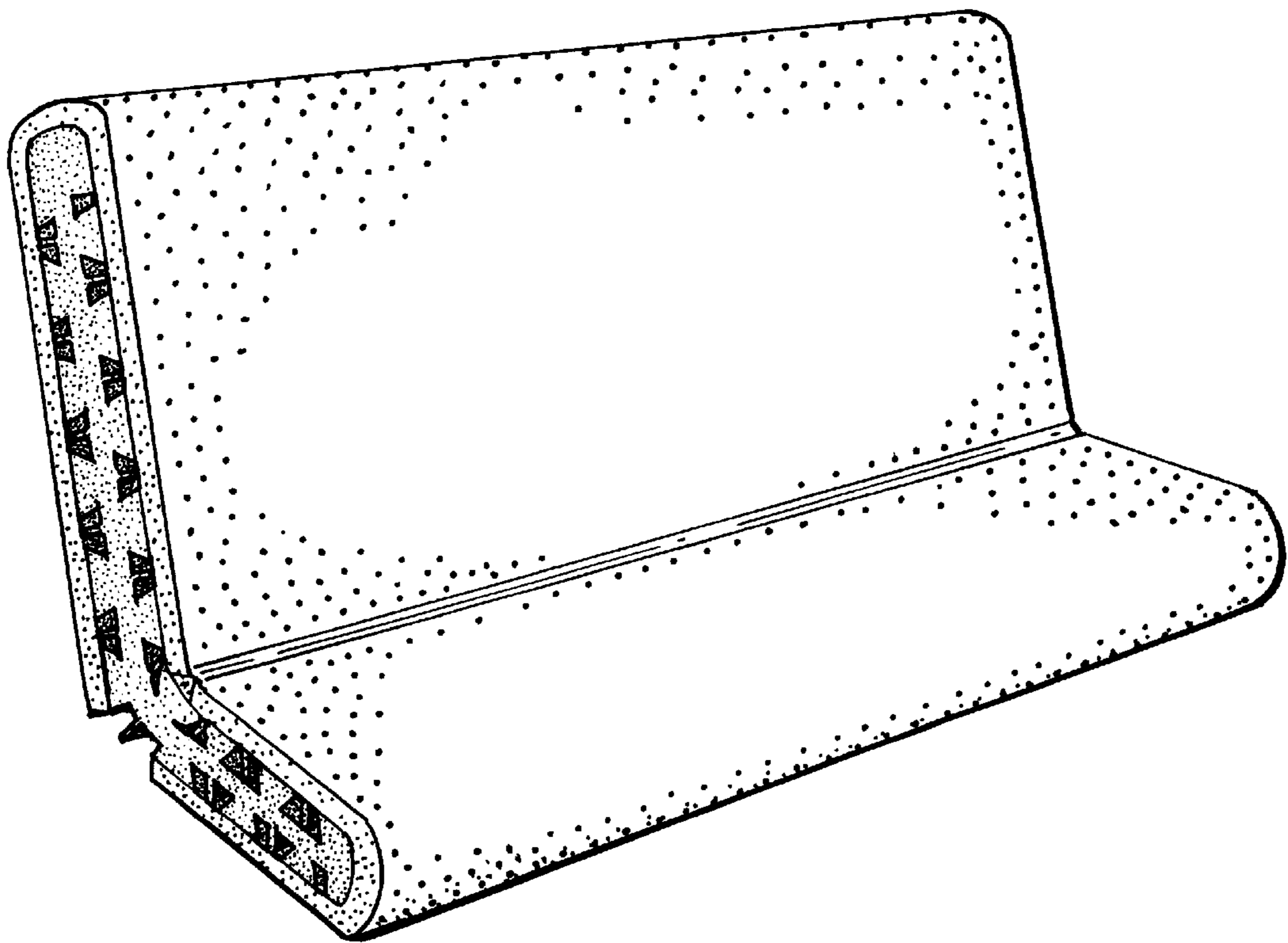


FIG. 2

FIG. 3

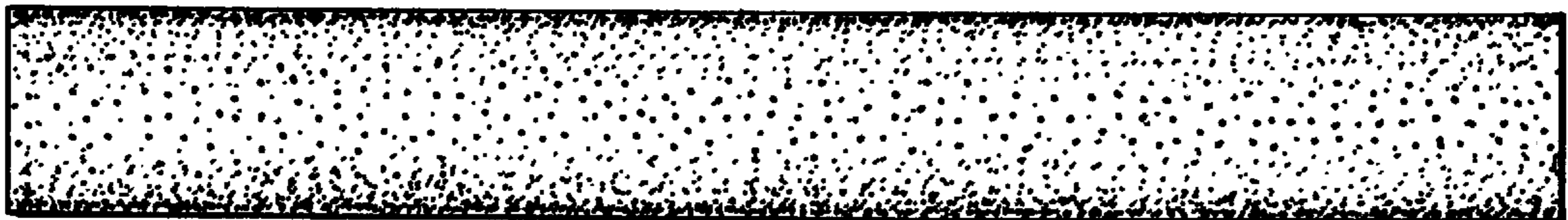
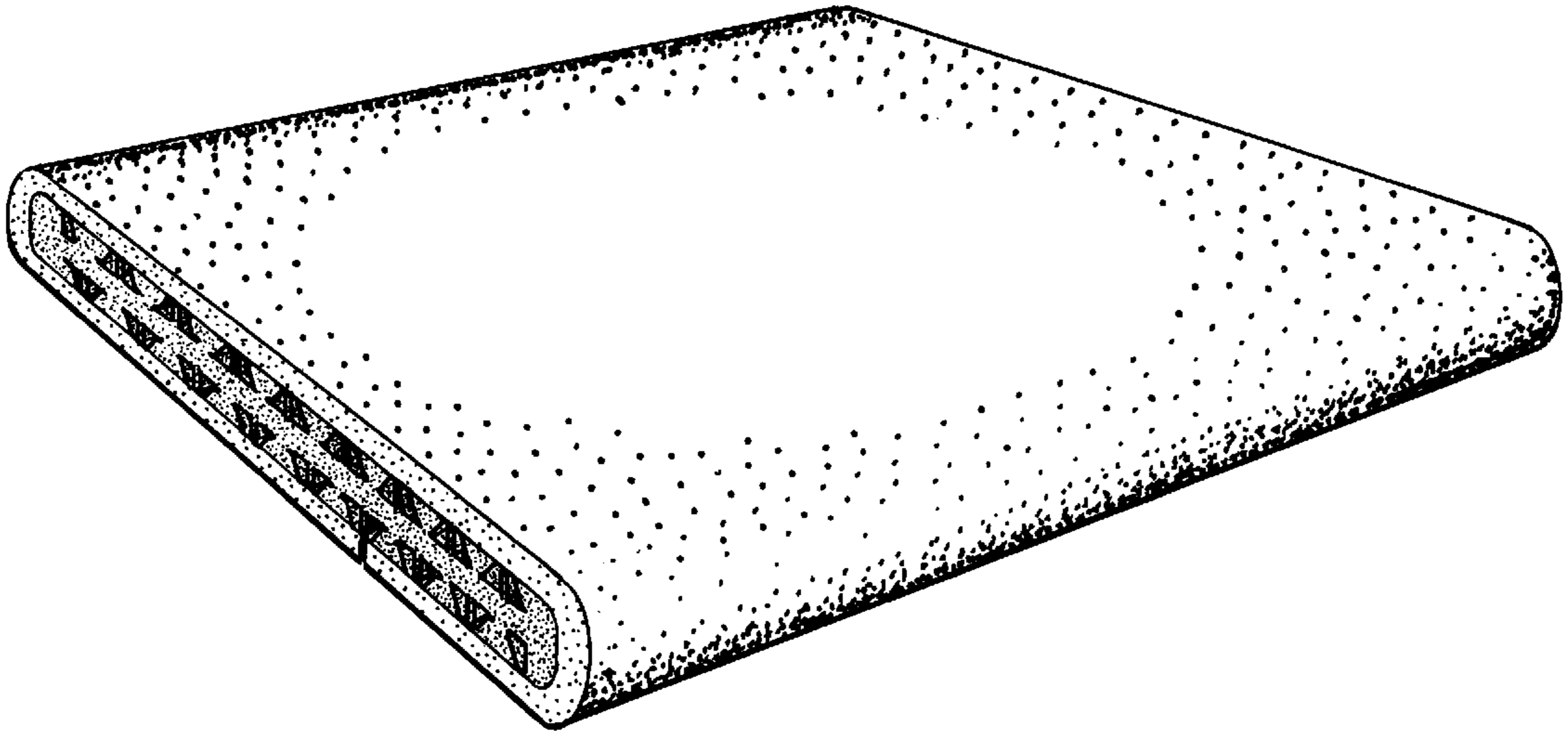


FIG. 4

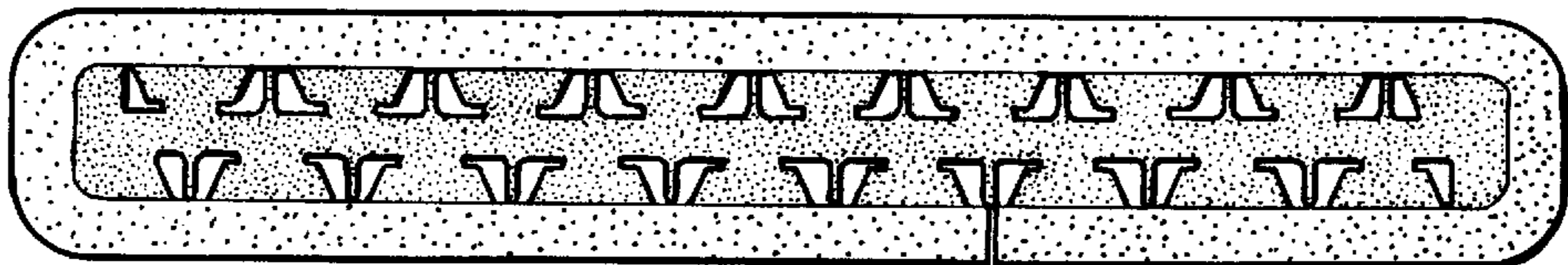


FIG. 5

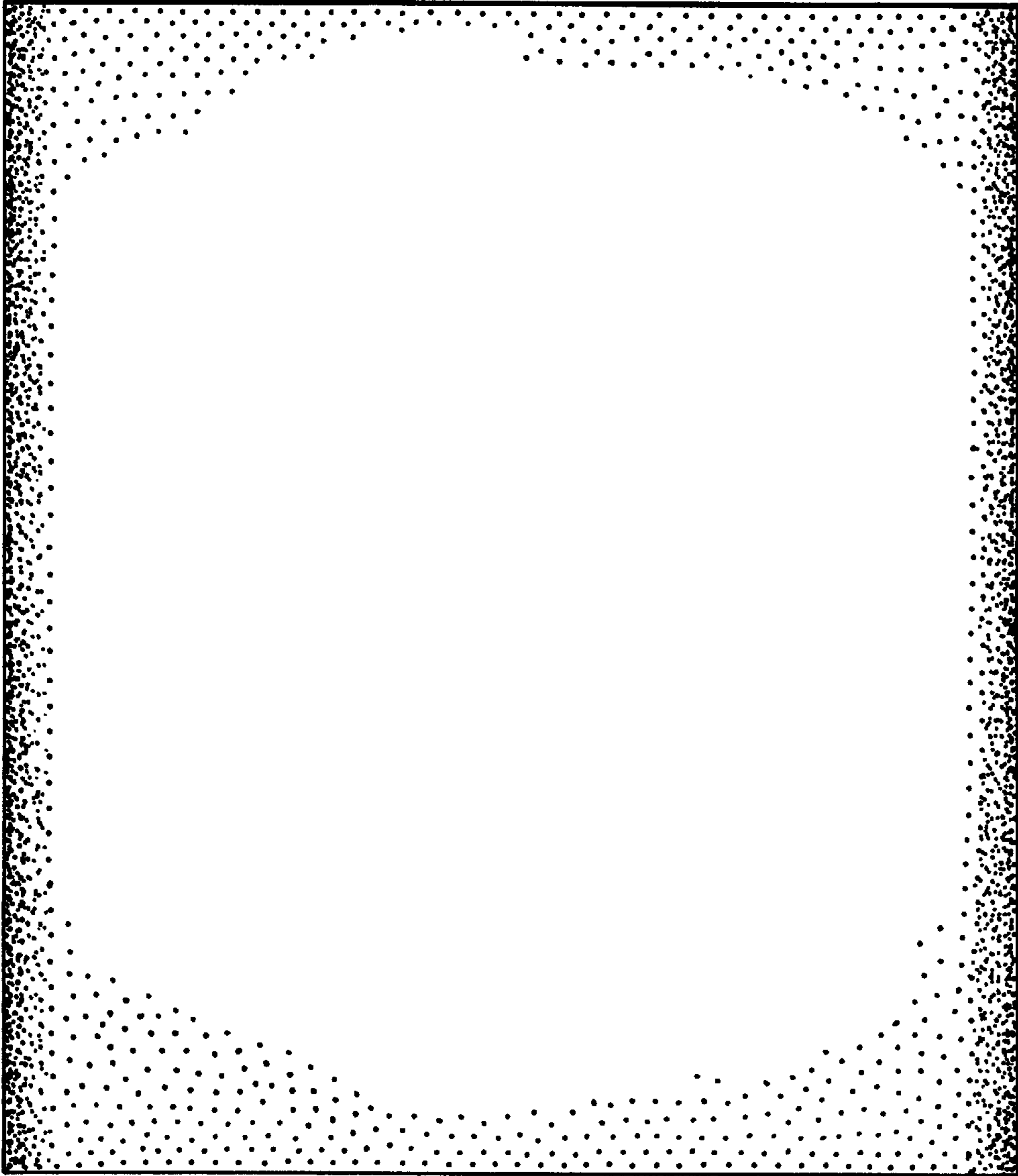


FIG. 6

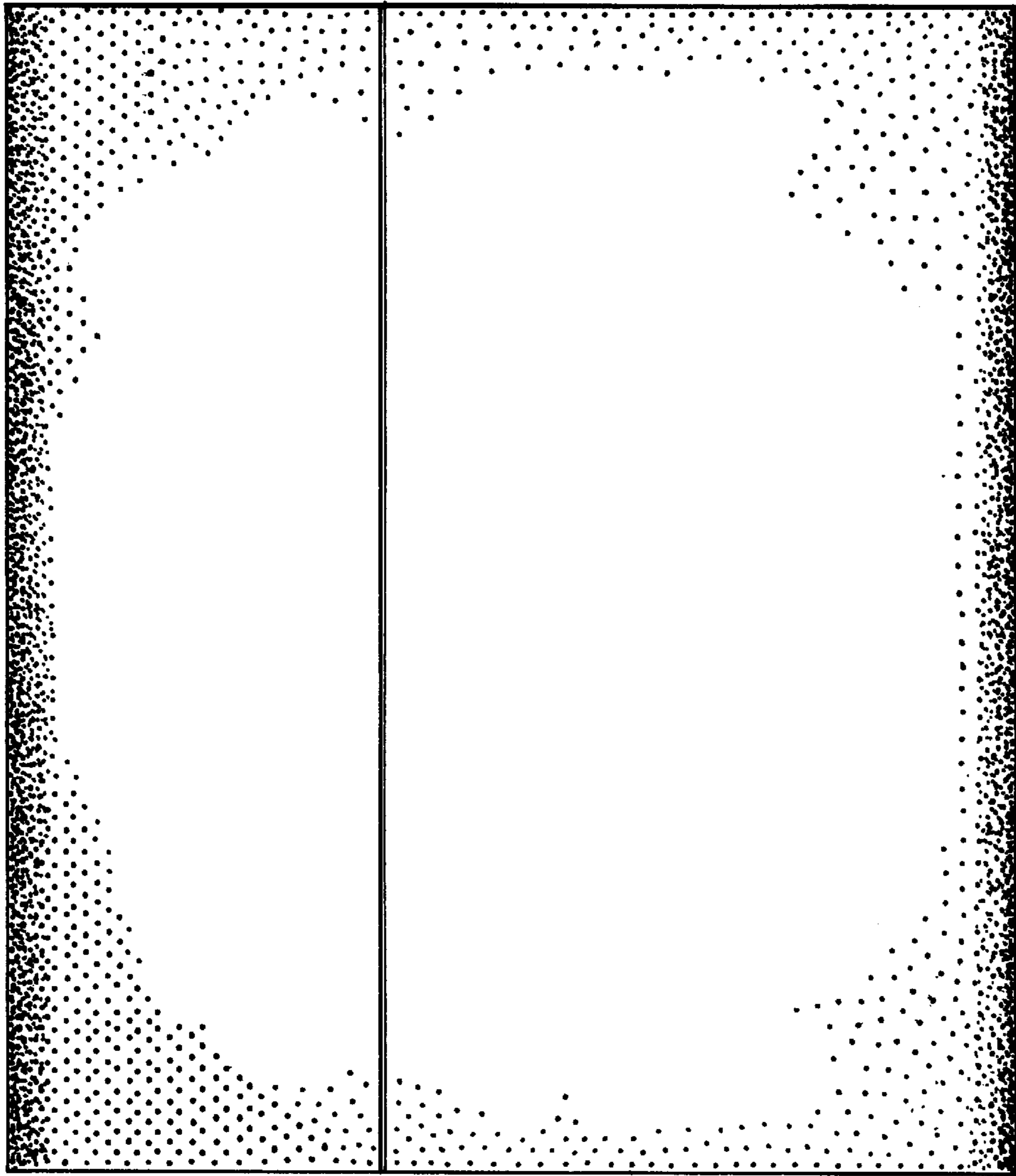


FIG. 7