



US00D426732S

United States Patent [19]

Chou et al.

[11] **Patent Number: Des. 426,732**

[45] **Date of Patent: ** Jun. 20, 2000**

[54] **ARMREST BRACKET**

D. 412,633 8/1999 Chou et al. D6/500
1,402,292 1/1922 Heck 297/411.2

[76] Inventors: **Ding-Guo Chou**, No. 2 Alley 11, Lane 344, Chung Cheng South Rd., Yungkang, Tainan County; **Guo-Qing Chou**, No. 14 Lane 41, Feng Sung Rd., Fengshan, Kaohsiung County, both of Taiwan

Primary Examiner—Gary D. Watson
Attorney, Agent, or Firm—Alan Kamrath; Oppenheimer Wolff & Donnelly LLP

[**] Term: **14 Years**

[57] CLAIM

The ornamental design for an armrest bracket, as shown and described.

[21] Appl. No.: **29/109,063**

DESCRIPTION

[22] Filed: **Aug. 9, 1999**

[51] **LOC (7) Cl.** **06-00**

[52] **U.S. Cl.** **D6/501; D6/491; D6/500**

[58] **Field of Search** D6/334, 335, 364, D6/365, 366, 367, 379, 491, 500, 501, 502; 297/411.2, 411.27, 411.28

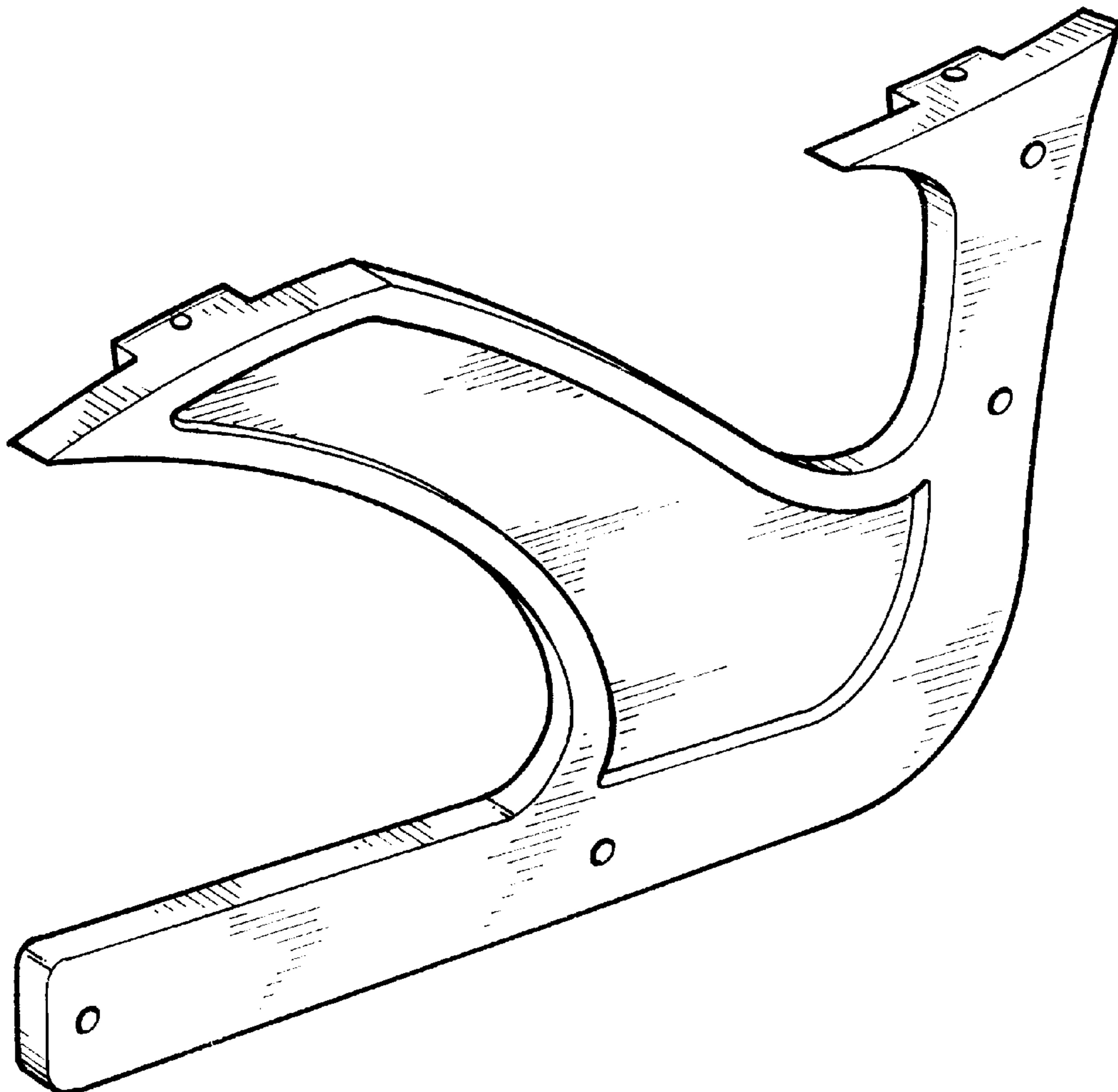
FIG. 1 is a perspective view of for an armrest bracket showing my new design;
FIG. 2 is a front elevational view thereof;
FIG. 3 is a rear elevational view thereof;
FIG. 4 is a left side elevational view thereof;
FIG. 5 is a right side elevational view thereof;
FIG. 6 is a top plan view thereof; and,
FIG. 7 is a bottom plan view thereof.

[56] References Cited

U.S. PATENT DOCUMENTS

99,576 2/1870 Koechling 297/411.2

1 Claim, 3 Drawing Sheets



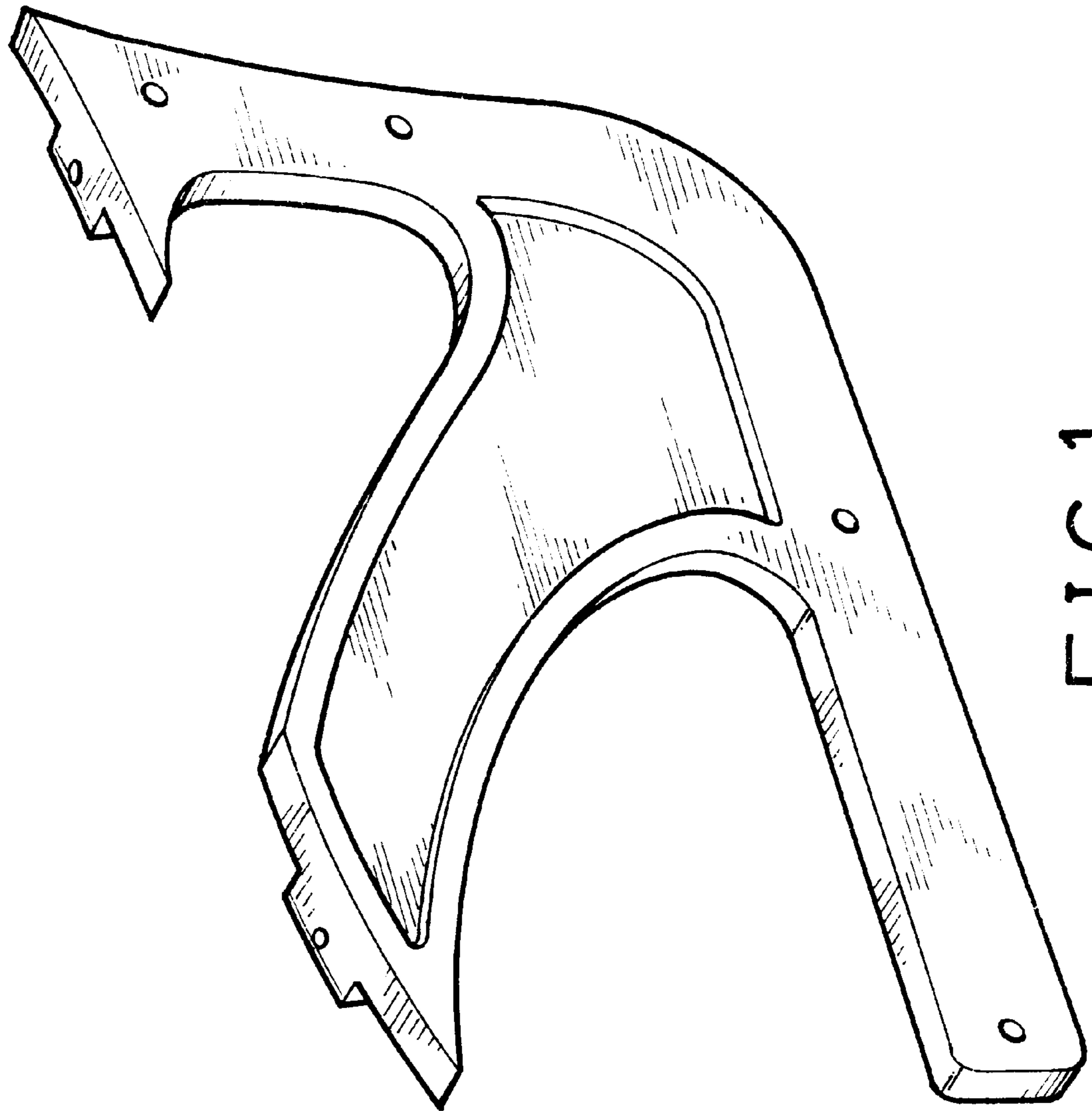


FIG.1



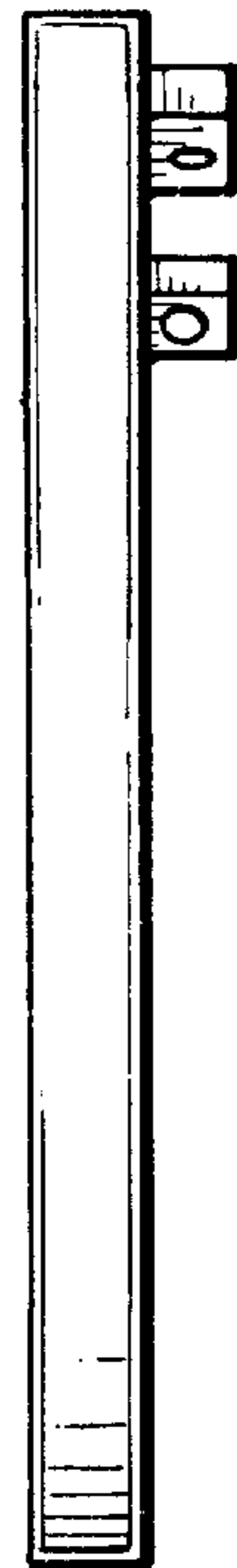
FIG. 6

FIG. 2



FIG. 7

FIG. 3



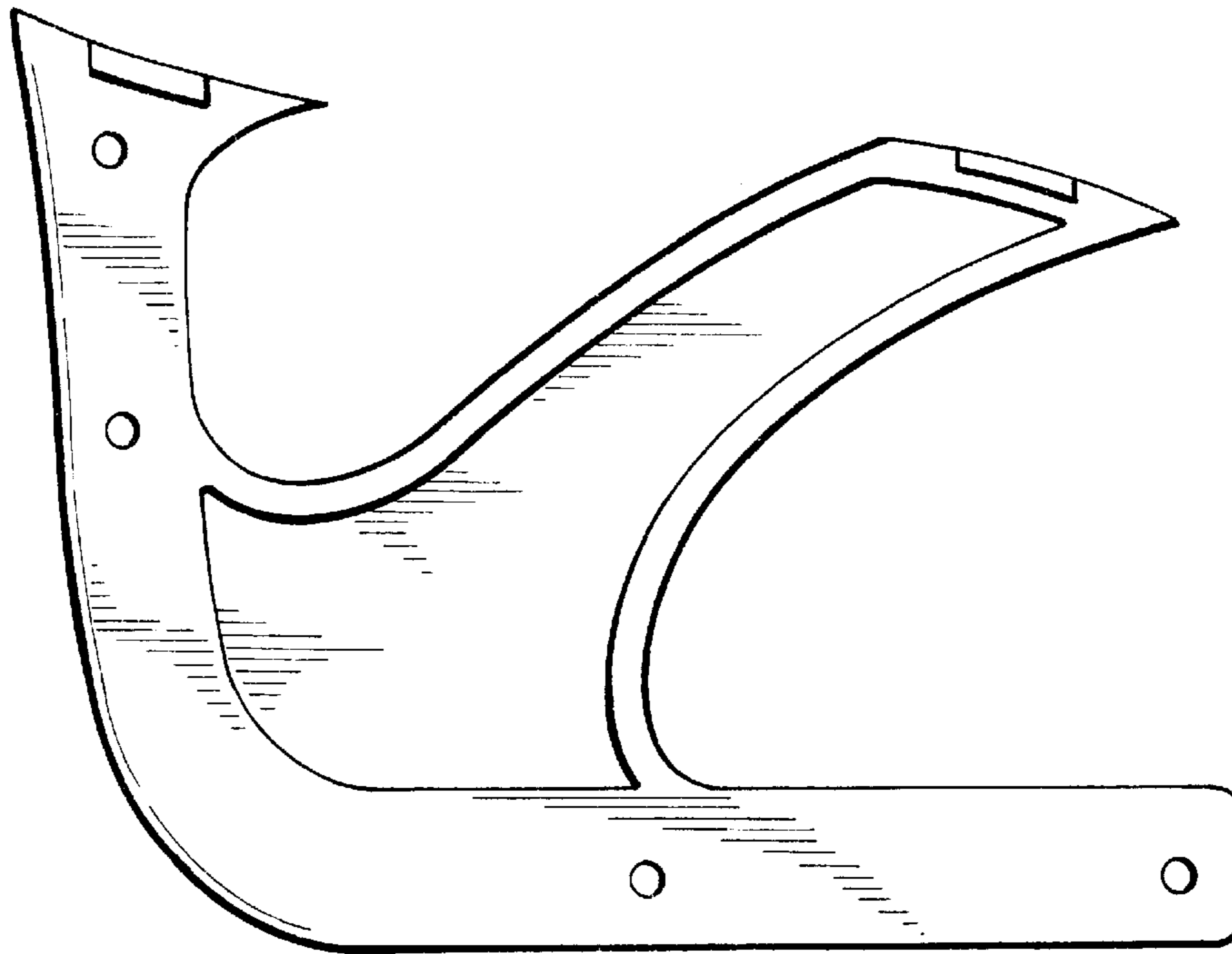


FIG. 4

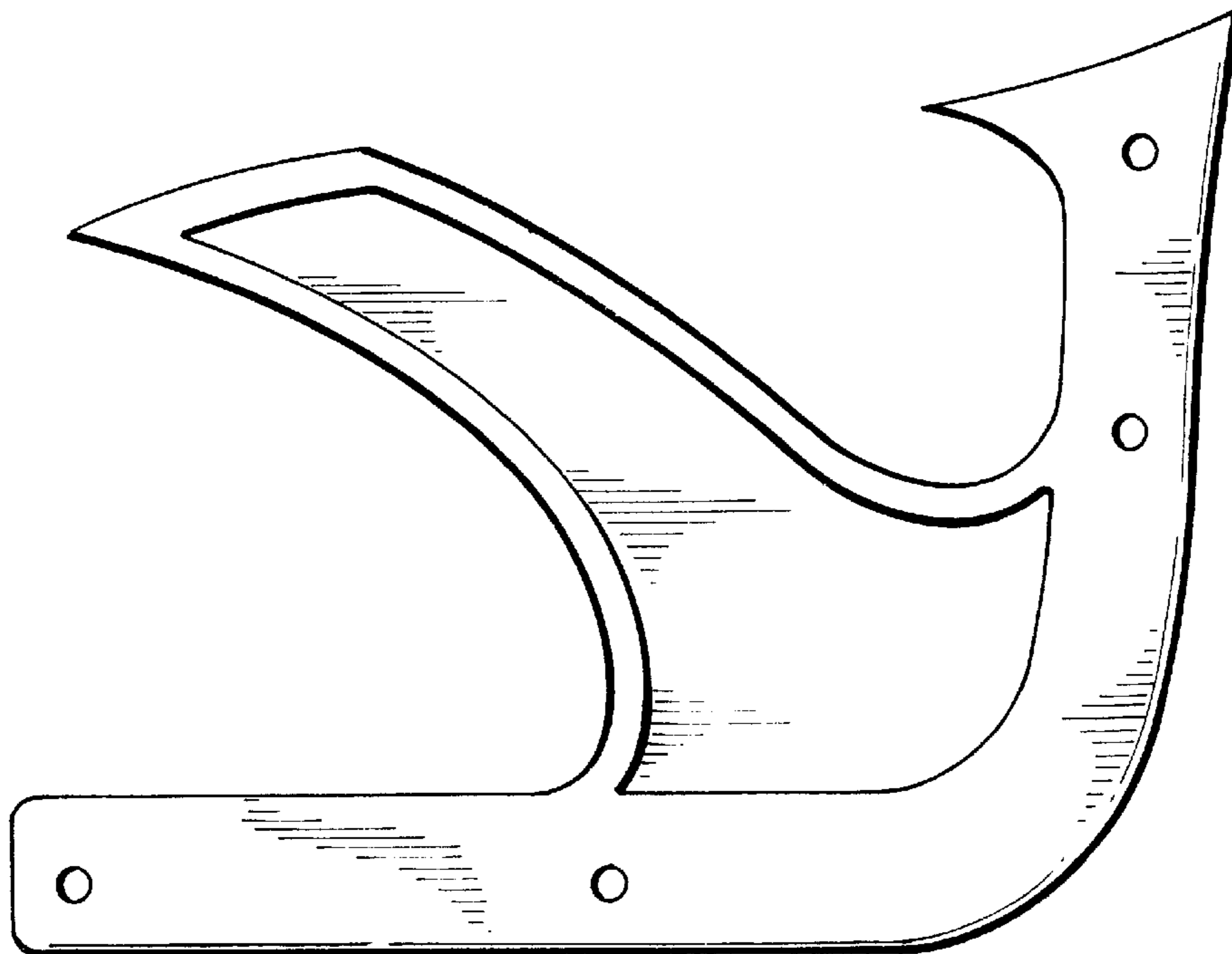


FIG. 5