



US00D426731S

United States Patent [19]

Cibic et al.

[11] Patent Number: **Des. 426,731**

[45] Date of Patent: **** Jun. 20, 2000**

[54] **SEAT FOR BEAM-SUPPORTED SEATING UNITS**

[75] Inventors: **Aldo Cibic; Esra Ohi**, both of Milan, Italy

[73] Assignee: **Bieffe Di Bruno Ferrarese S.p.A.**, Caselle di Selvazzano, Italy

[**] Term: **14 Years**

[21] Appl. No.: **29/092,091**

[22] Filed: **Aug. 13, 1998**

[30] Foreign Application Priority Data

Feb. 13, 1998 [IT] Italy PD9800009

[51] **LOC (7) Cl.** **06-06**

[52] **U.S. Cl.** **D6/500; D6/374**

[58] **Field of Search** D6/334, 335, 336, D6/362, 371, 373, 374, 375, 381, 500, 501, 502; 297/232, 248, 331, 335

[56] References Cited

U.S. PATENT DOCUMENTS

- D. 32,237 2/1900 Coffman D6/375
- D. 222,997 2/1972 Edgar et al. D6/374
- D. 225,798 1/1973 Torrey D6/375
- D. 269,230 6/1983 Fear D6/373

- D. 346,911 5/1994 Lucci et al. D6/374
- D. 368,383 4/1996 Danko D6/374
- D. 396,960 8/1998 Maly D6/334
- D. 406,196 3/1999 Lyons D6/375
- 3,114,575 12/1963 Eames et al. 297/248
- 3,323,833 6/1967 Kasparian 297/248

Primary Examiner—Gary D. Watson
Attorney, Agent, or Firm—Sughrue, Mion, Zinn, Macpeak & Seas, PLLC

[57] CLAIM

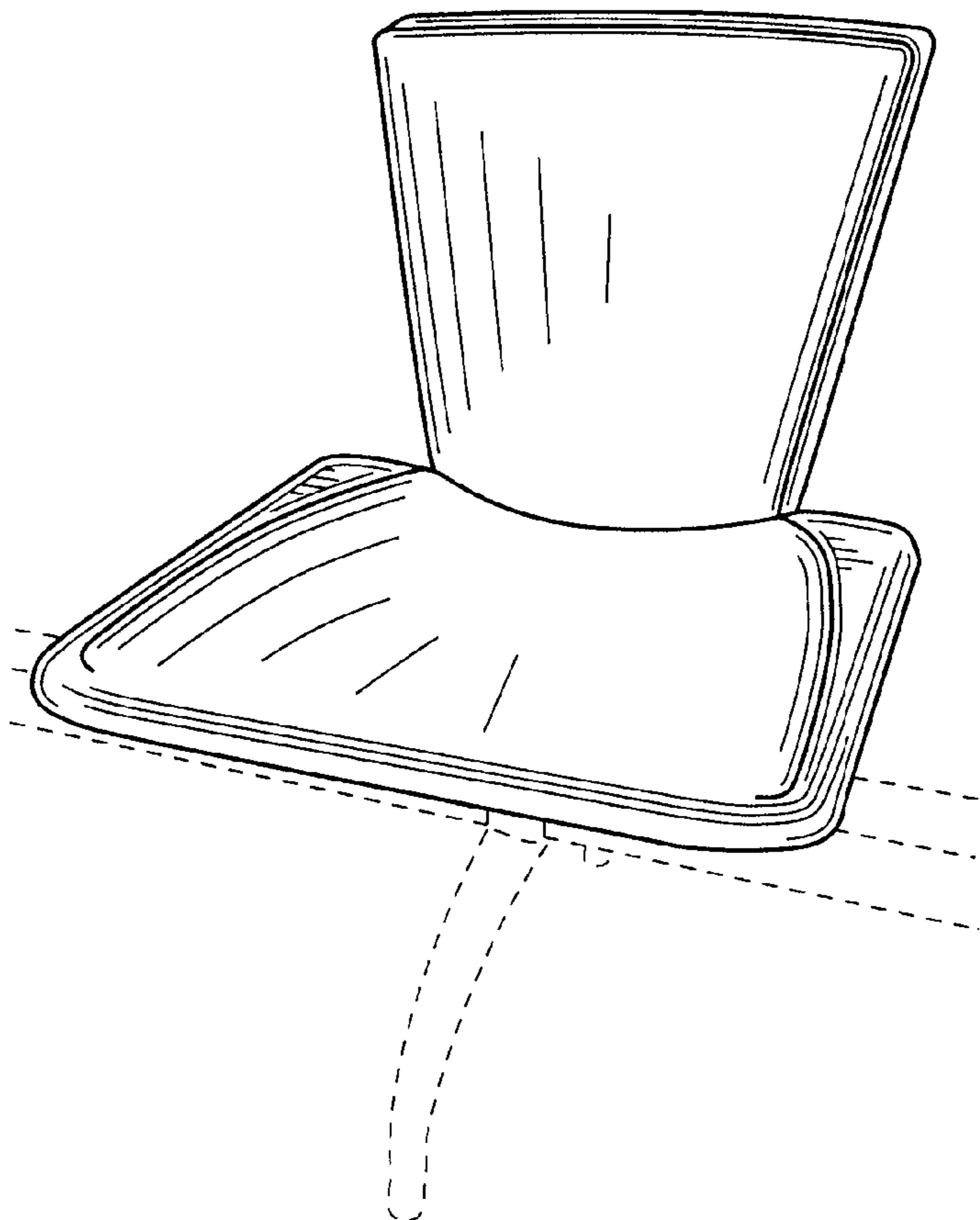
The ornamental design for a seat for beam-supported seating units, as shown and described.

DESCRIPTION

FIG. 1 is a bottom plan view of a seat for beam-supported seating units showing our new design; FIG. 2 is a right side elevational view thereof; FIG. 3 is a front elevational view thereof; FIG. 4 is a left side elevational view thereof; FIG. 5 is a rear elevational view thereof; FIG. 6 is a top plan view thereof; and, FIG. 7 is a perspective view of the top, front and right side thereof.

The broken line showing of support structure under the seat is for illustrative purposes only and forms no part of the claimed design.

1 Claim, 3 Drawing Sheets



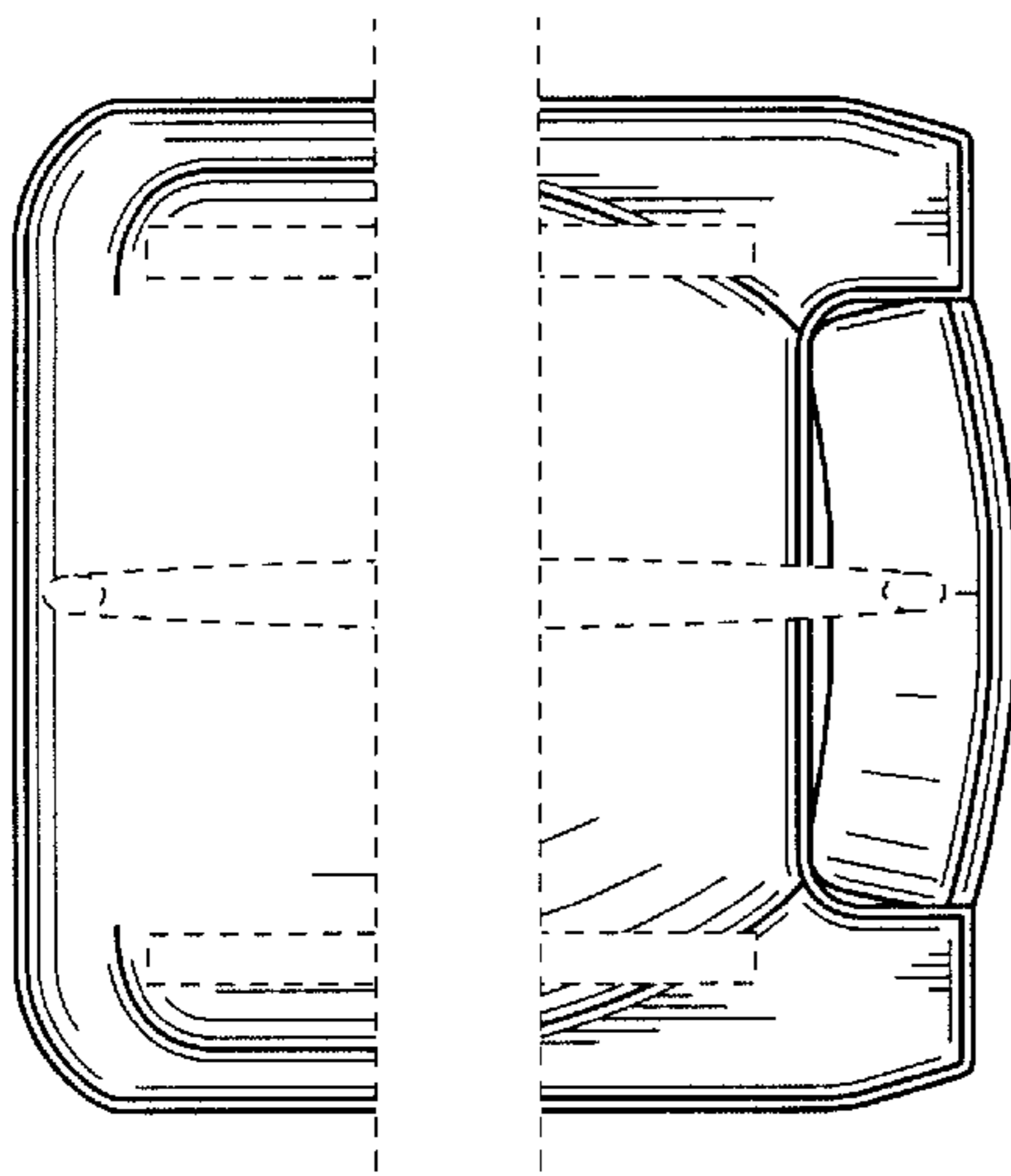


FIG. 1

FIG. 2

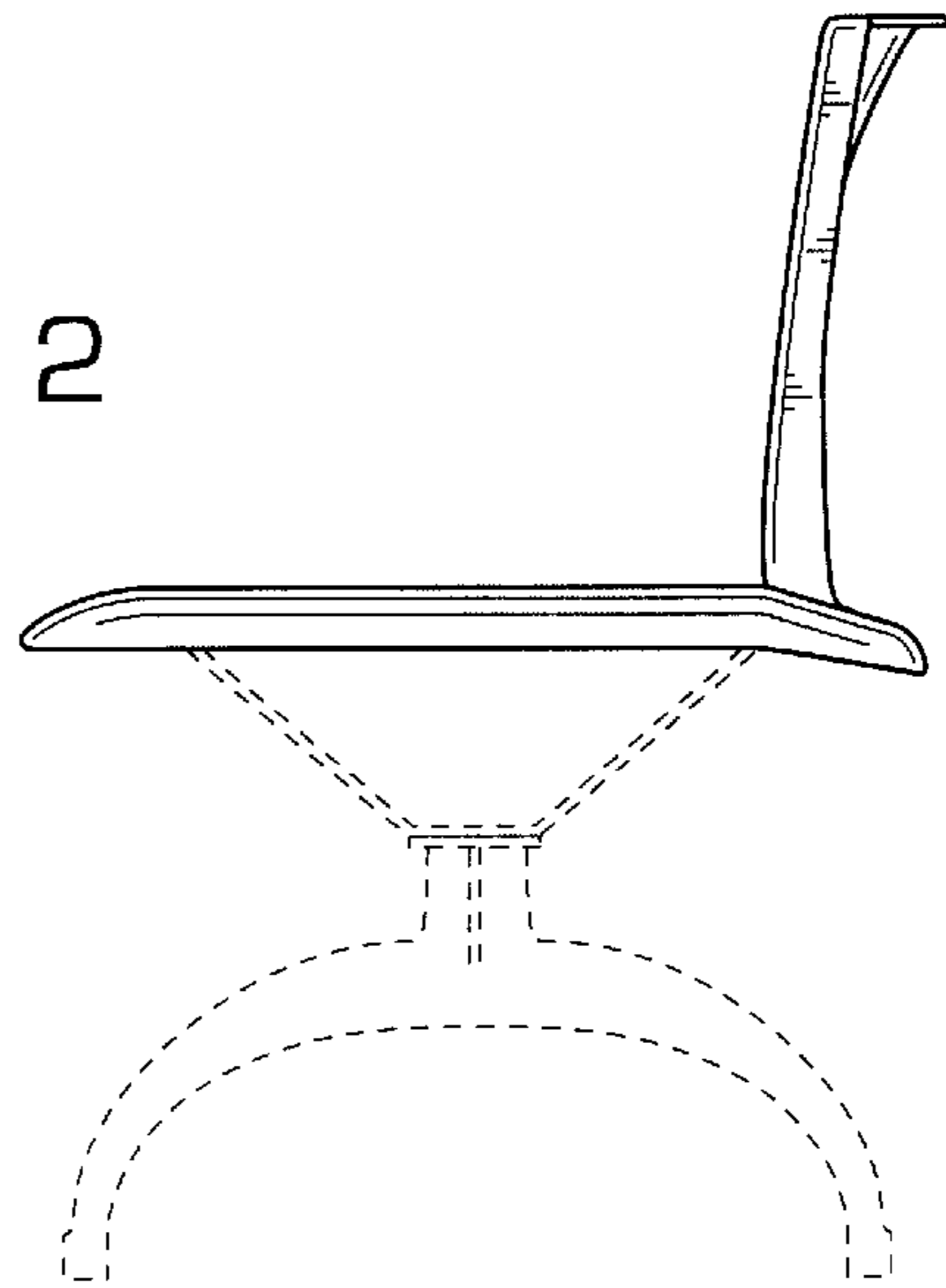
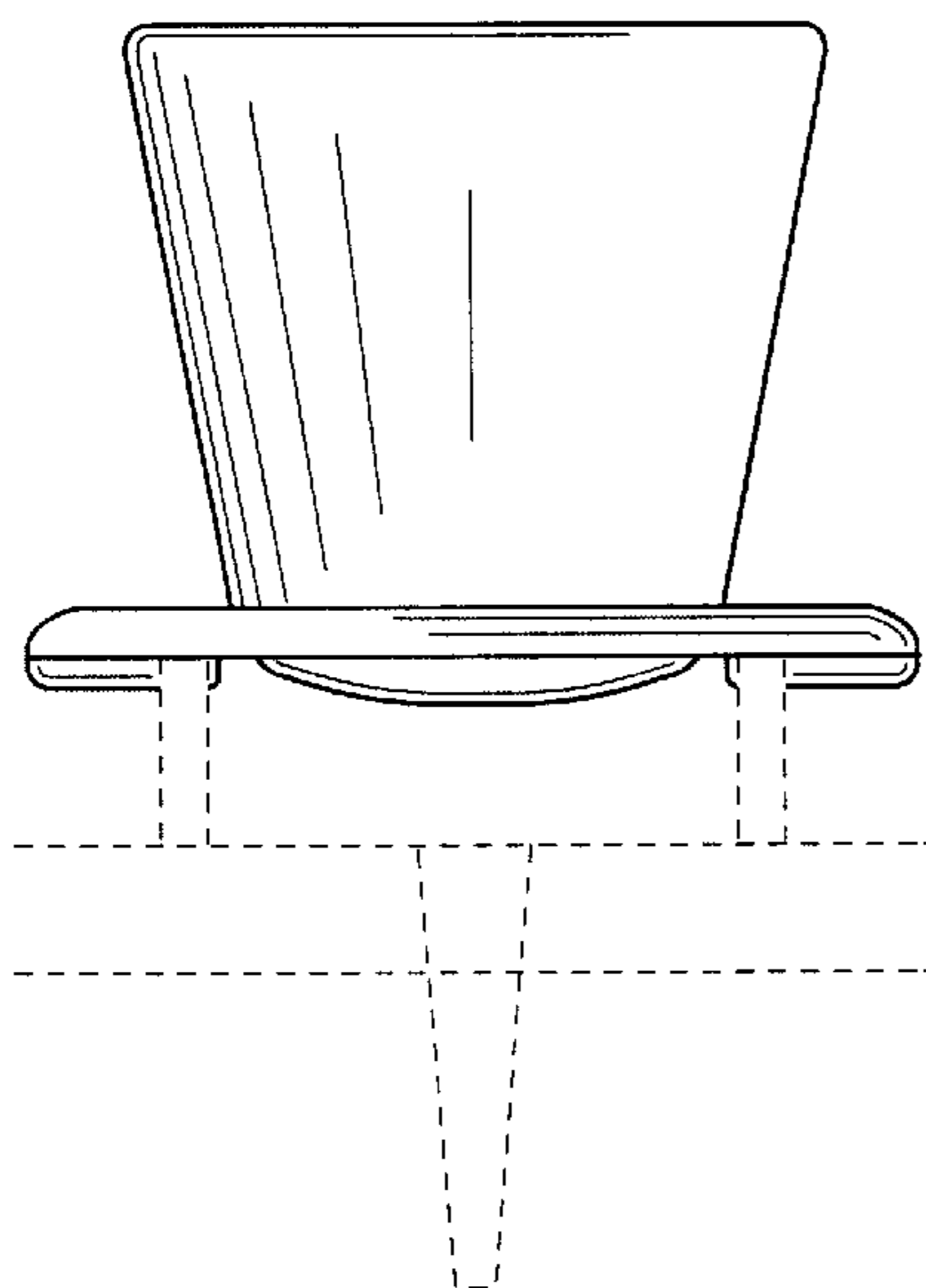


FIG. 3



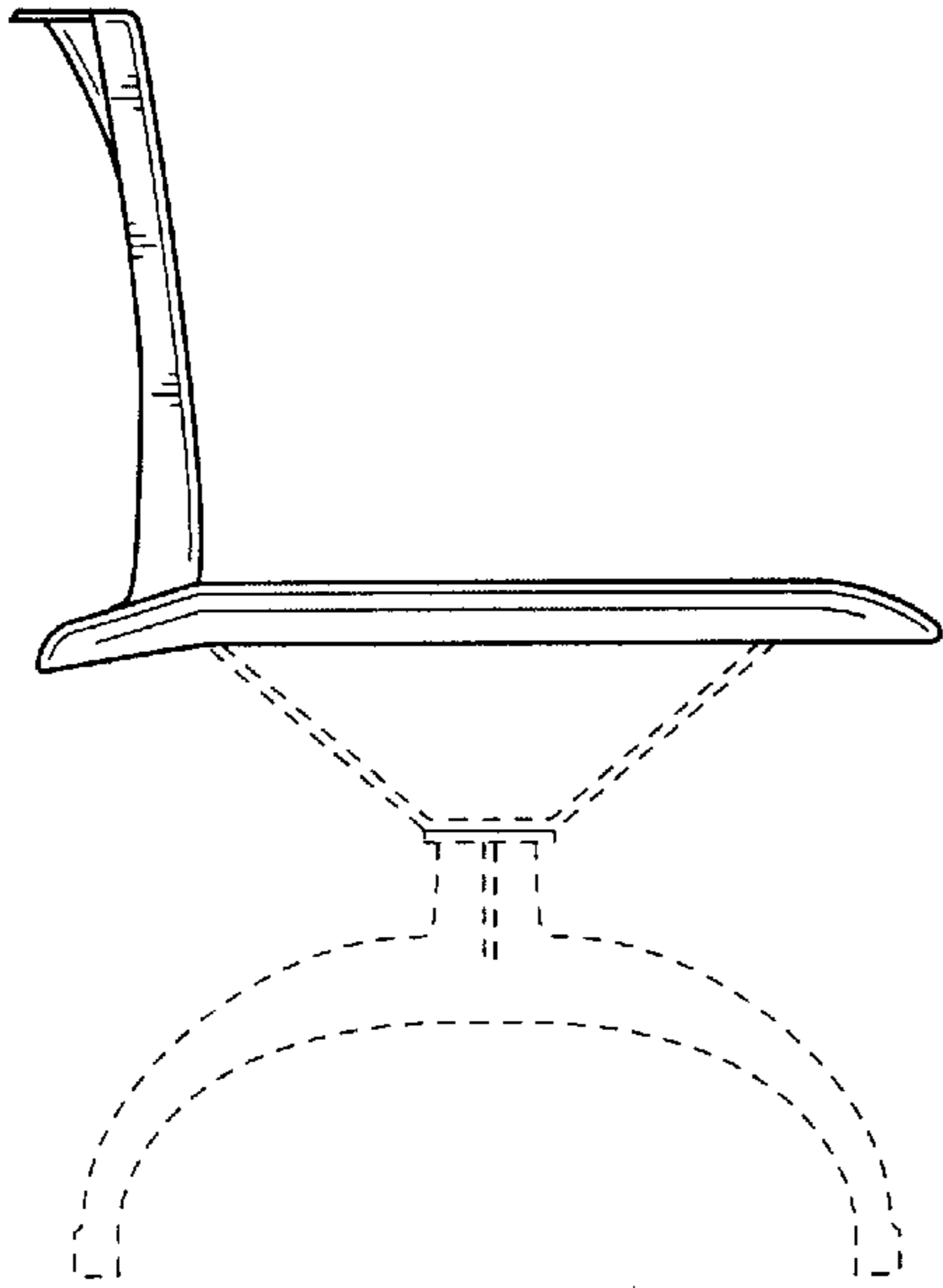


FIG. 4

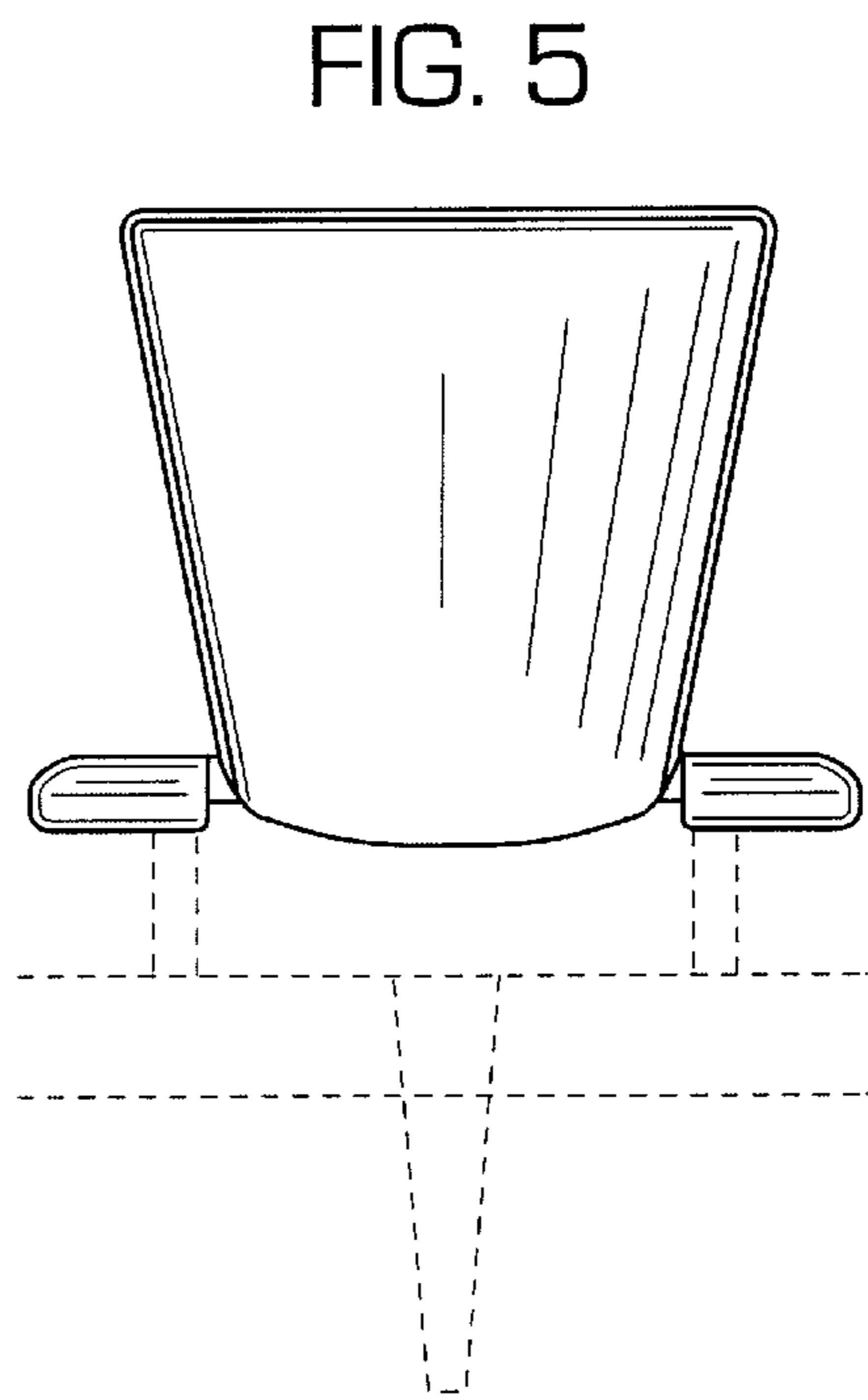


FIG. 5

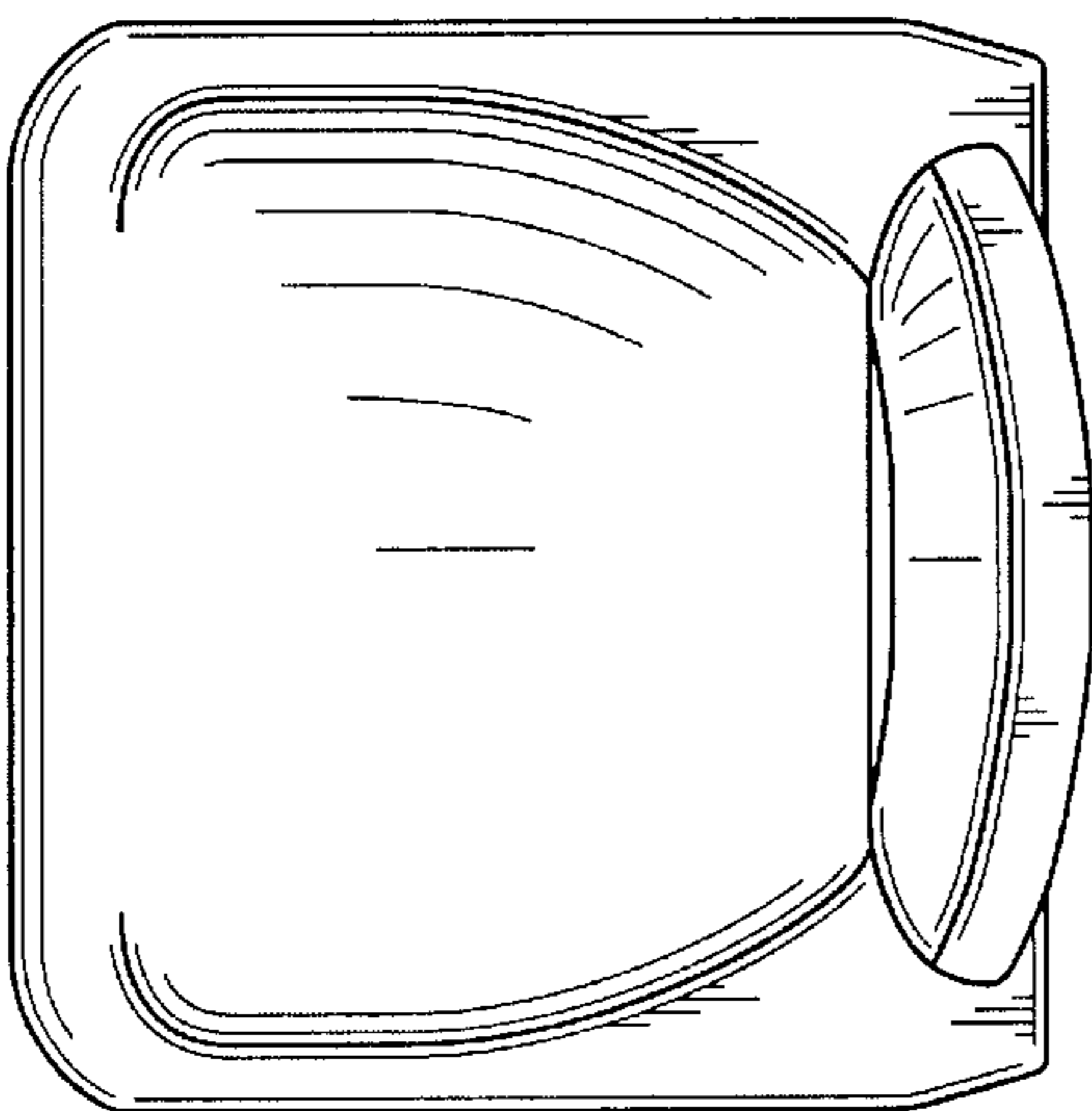


FIG. 6

FIG. 7

