



US00D426730S

United States Patent [19] Tseng

[11] **Patent Number: Des. 426,730**

[45] **Date of Patent: ** Jun. 20, 2000**

- [54] **DESK**
- [75] Inventor: **Chuen-Jong Tseng**, Chiayi Hsien, Taiwan
- [73] Assignee: **Shin Yen Enterprise Co., Ltd.**, Chiayi Hsien, Taiwan
- [**] Term: **14 Years**
- [21] Appl. No.: **29/106,201**
- [22] Filed: **Jun. 10, 1999**
- [51] **LOC (7) Cl.** **06-03**
- [52] **U.S. Cl.** **D6/480; D6/488**
- [58] **Field of Search** D6/480-489, 495, D6/499; 108/153.1, 155, 156, 161; 248/188, 188.1, 188.7, 188.8

4,003,320 1/1977 Owens et al. 108/157

OTHER PUBLICATIONS

Brown Jordon c1976, p. 11, table 1232-4800 in center.
Brown Jordan Apr. 1973, p. 3, table 1390-97 in center.

Primary Examiner—Janice E. Seeger
Attorney, Agent, or Firm—Ladas & Parry

[57] CLAIM

The ornamental design for desk, as shown and described.

DESCRIPTION

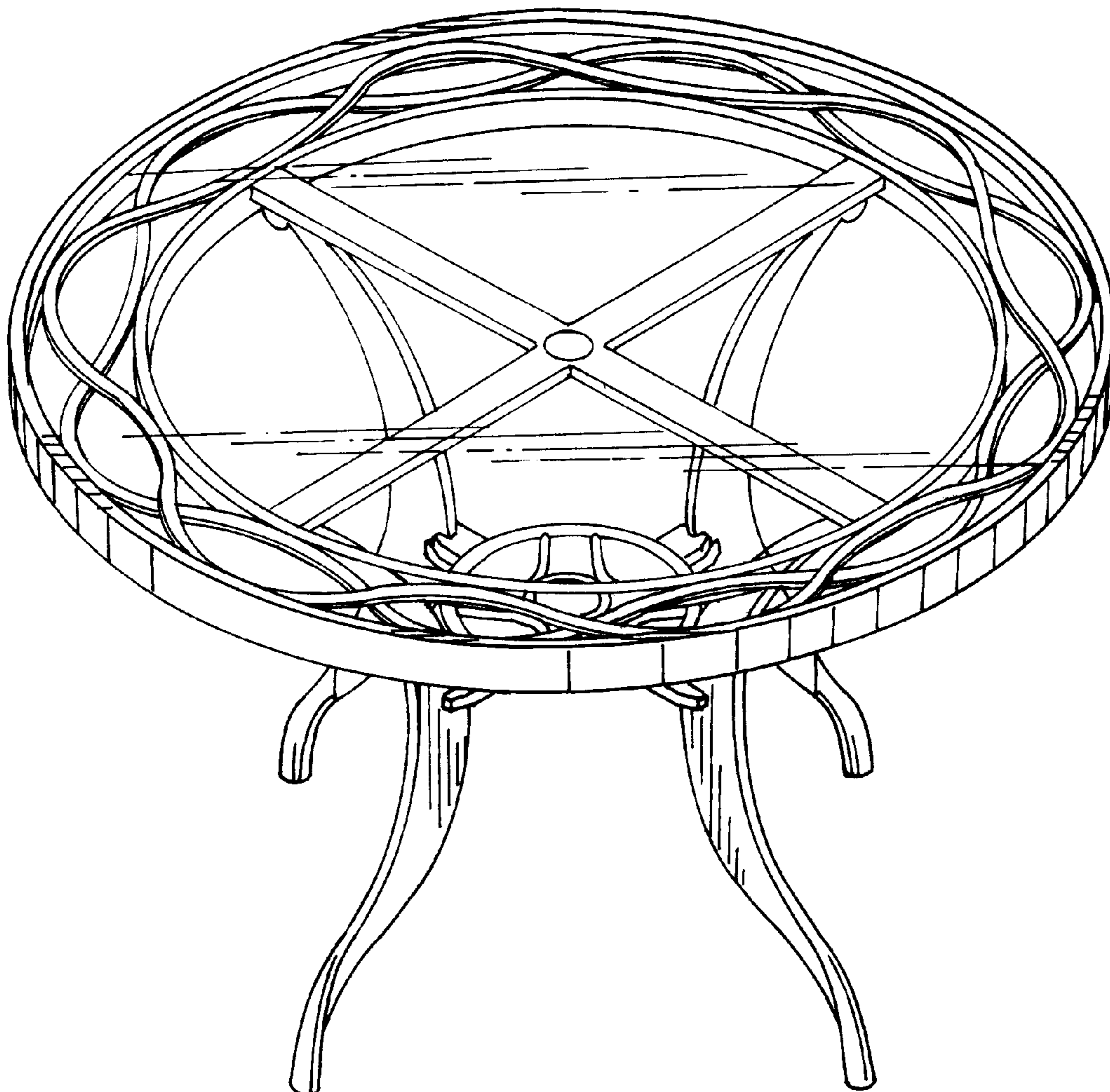
FIG. 1 is a perspective view of desk showing my new design;
FIG. 2 is a front elevational view thereof;
FIG. 3 is a rear elevational view thereof;
FIG. 4 is a left side elevational view thereof;
FIG. 5 is a right side elevational view thereof;
FIG. 6 is a top plan view thereof; and,
FIG. 7 is a bottom plan view thereof.

[56] References Cited

U.S. PATENT DOCUMENTS

- D. 239,800 5/1976 Robertson D6/488
- D. 373,269 9/1996 Muller D6/484

1 Claim, 4 Drawing Sheets



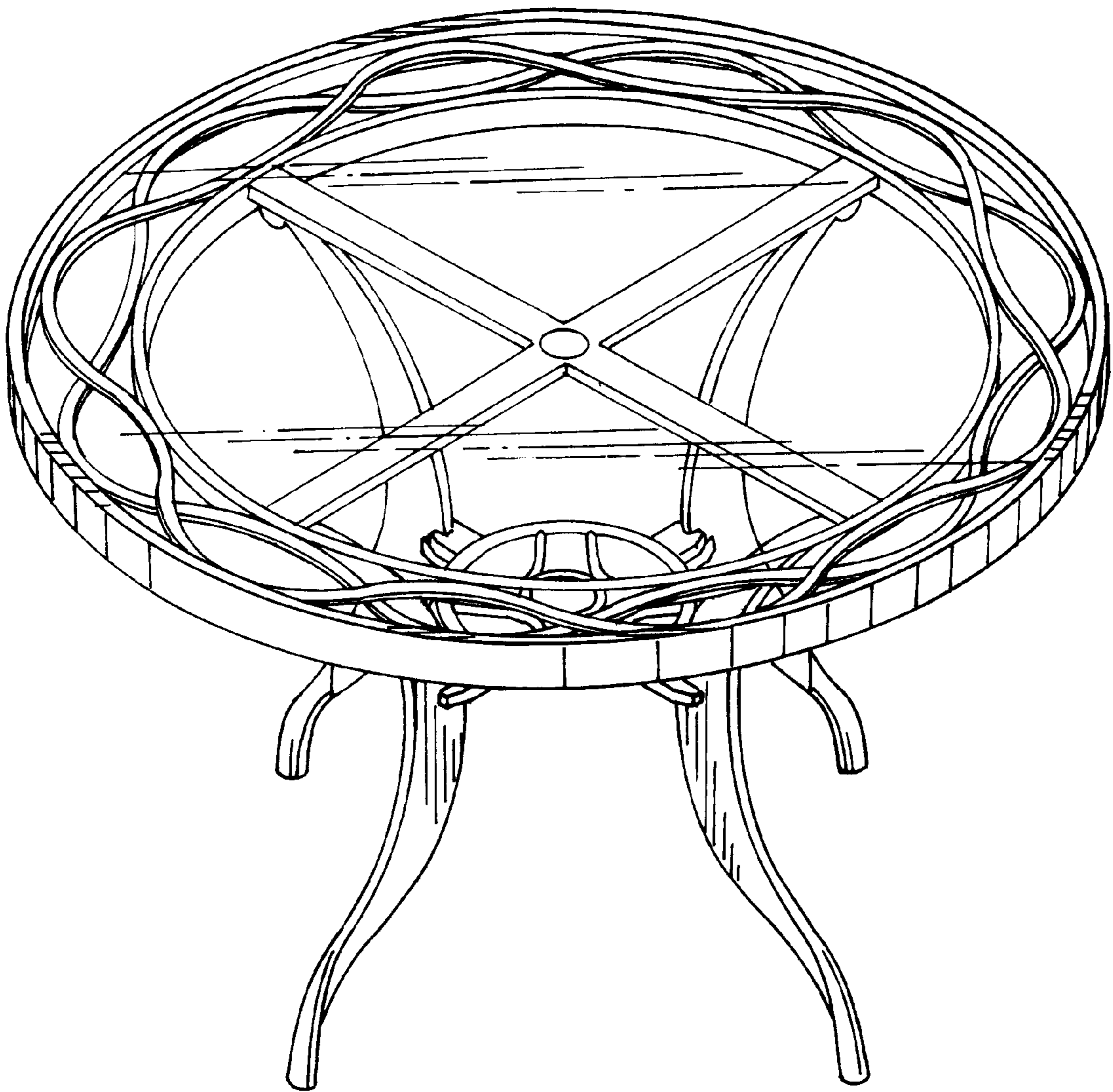


FIG. 1

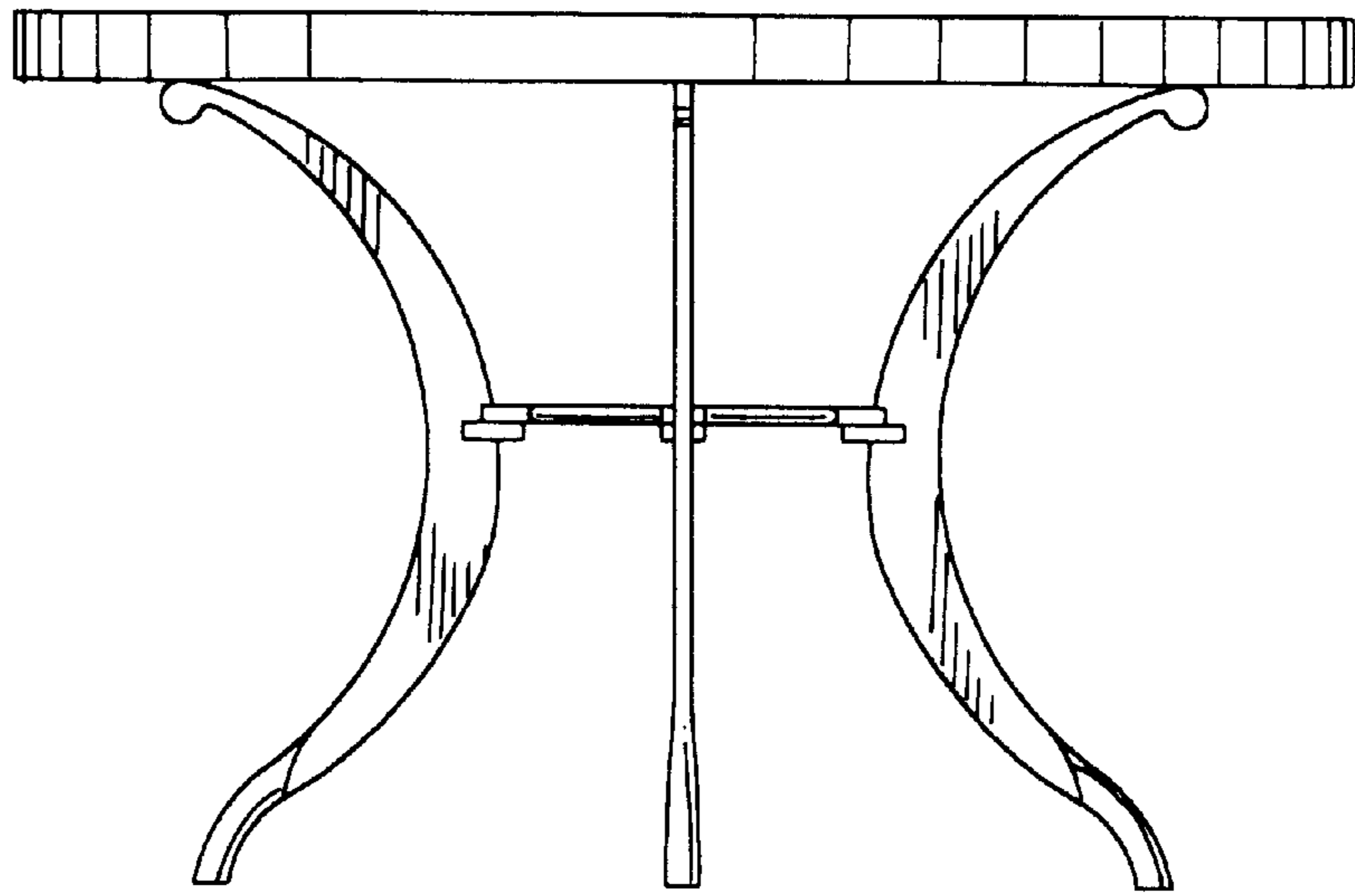


FIG. 2

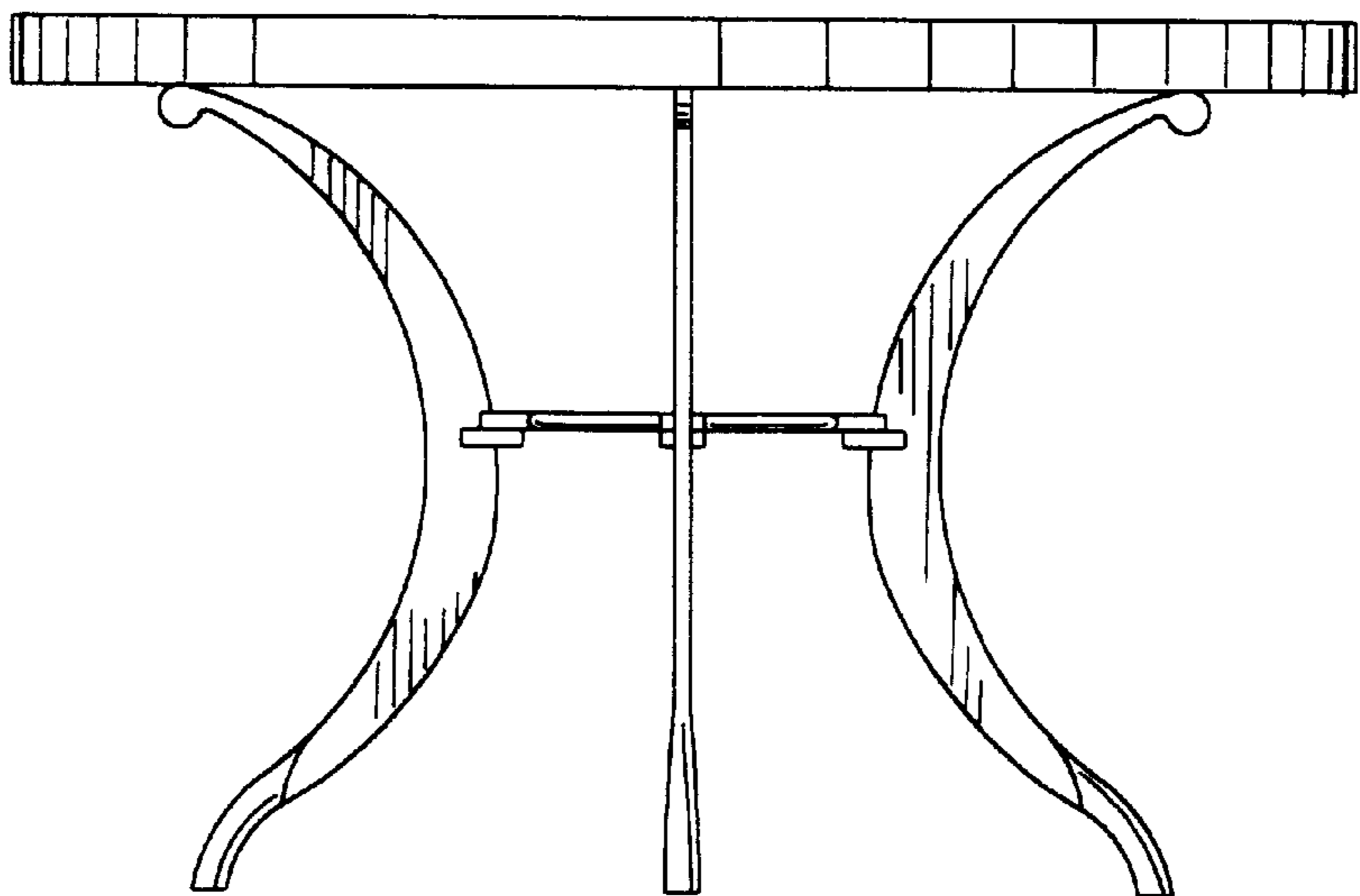


FIG. 3

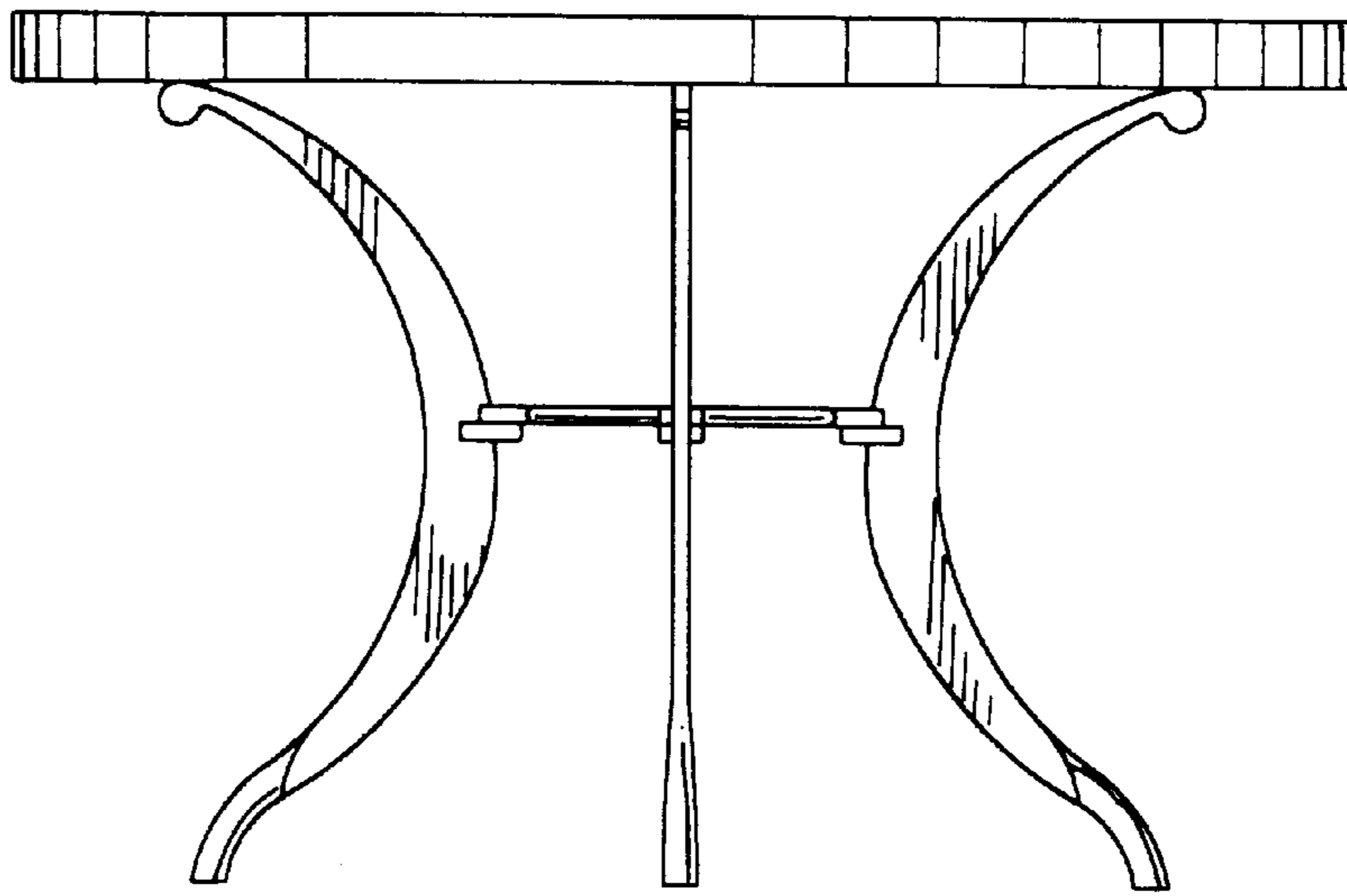


FIG. 4

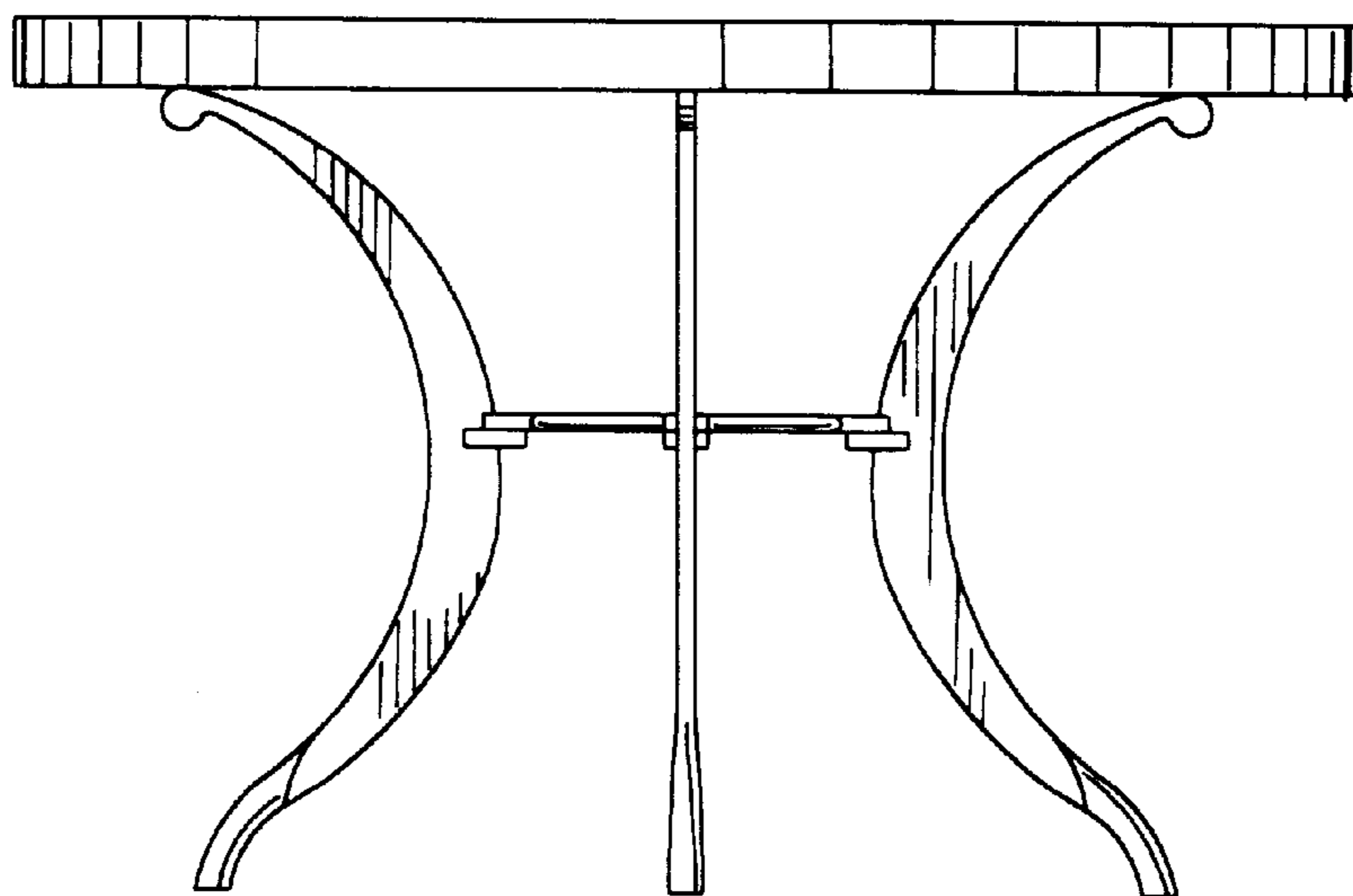


FIG. 5

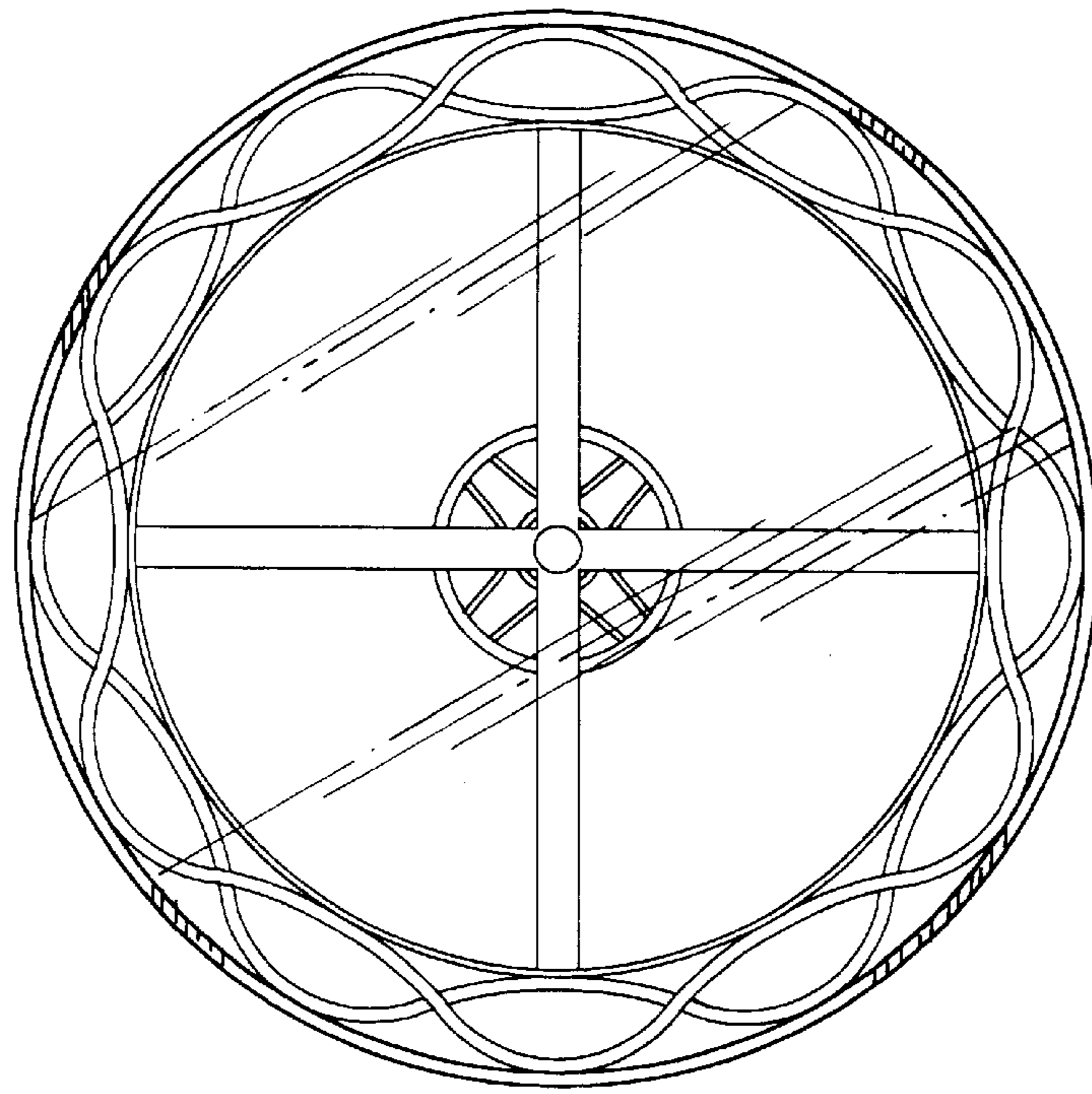


FIG. 6

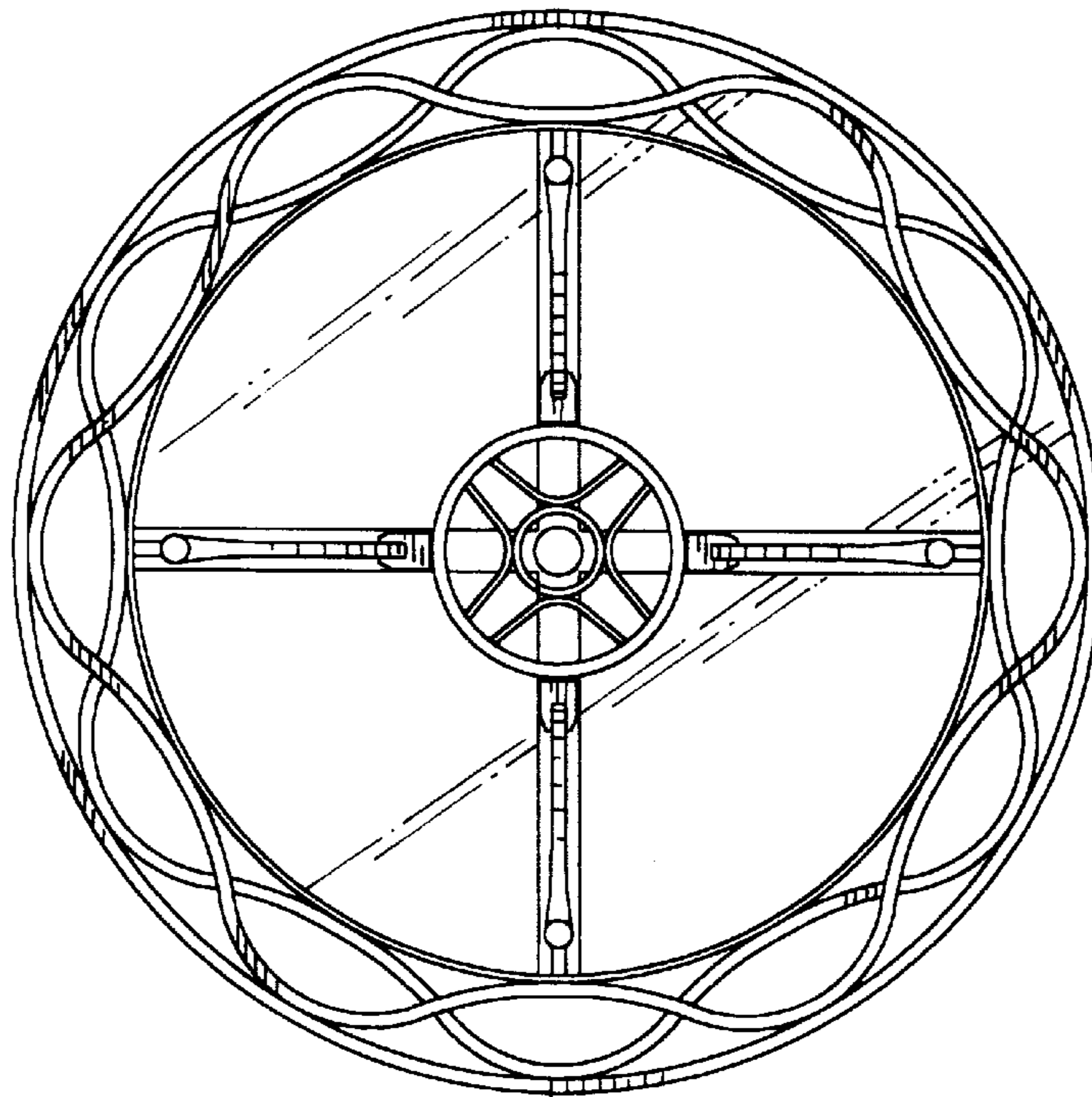


FIG. 7