



US00D426725S

**United States Patent** [19]  
**Baharouzi**

[11] **Patent Number: Des. 426,725**  
[45] **Date of Patent: \*\* Jun. 20, 2000**

[54] **HOLDER, RACK AND SUPPORT**

[76] Inventor: **Shemon Baharouzi**, 5324 Newcastle Ave., No. 124, Encino, Calif. 91316

[\*\*] Term: **14 Years**

[21] Appl. No.: **29/096,170**

[22] Filed: **Nov. 5, 1998**

[51] **LOC (7) Cl.** ..... **06-04**

[52] **U.S. Cl.** ..... **D6/450**

[58] **Field of Search** ..... D6/450, 412, 451-453, D6/474, 477, 479, 316; 211/1, 13.1, 113, 42, 184, 43; 428/15, 16, 542.2, 542.6; D19/34.5; 223/87; D20/31, 32; 248/441.1, 445, 254

[56] **References Cited**

**U.S. PATENT DOCUMENTS**

|            |        |                     |       |        |   |
|------------|--------|---------------------|-------|--------|---|
| D. 197,427 | 2/1964 | Jones et al.        | ..... | D20/31 | X |
| D. 283,148 | 3/1986 | Coyne               | ..... | D20/31 | X |
| D. 316,571 | 4/1991 | Romero-Comas et al. | ..... | D20/31 | X |
| D. 398,159 | 9/1998 | Garrett             | ..... | D6/316 |   |

*Primary Examiner*—Doris V. Coles  
*Assistant Examiner*—Linda Brooks

[57] **CLAIM**

The ornamental design for a holder, rack and support, as shown and described.

**DESCRIPTION**

FIG. 1. is a perspective view of a preferred embodiment of the present invention;  
FIG. 2. is a front view of the preferred embodiment;  
FIG. 3. is a rear view of the preferred embodiment;  
FIG. 4. is a right side view of the preferred embodiment;  
FIG. 5. is a left side elevational view of the preferred embodiment;  
FIG. 6. is a top plan view of the preferred embodiment;  
FIG. 7. is a bottom plan view of the preferred embodiment;  
FIG. 8. is a perspective view of an alternate embodiment of the present invention;  
FIG. 9. is a front view of the alternate embodiment;  
FIG. 10. is a rear view of the alternate embodiment;  
FIG. 11. is a right side elevational view of the alternate embodiment;  
FIG. 12. is a left side elevational view of the alternate embodiment;  
FIG. 13. is a top plan view of the alternate embodiment; and,  
FIG. 14. is a bottom plan view of the alternate embodiment.

**1 Claim, 4 Drawing Sheets**

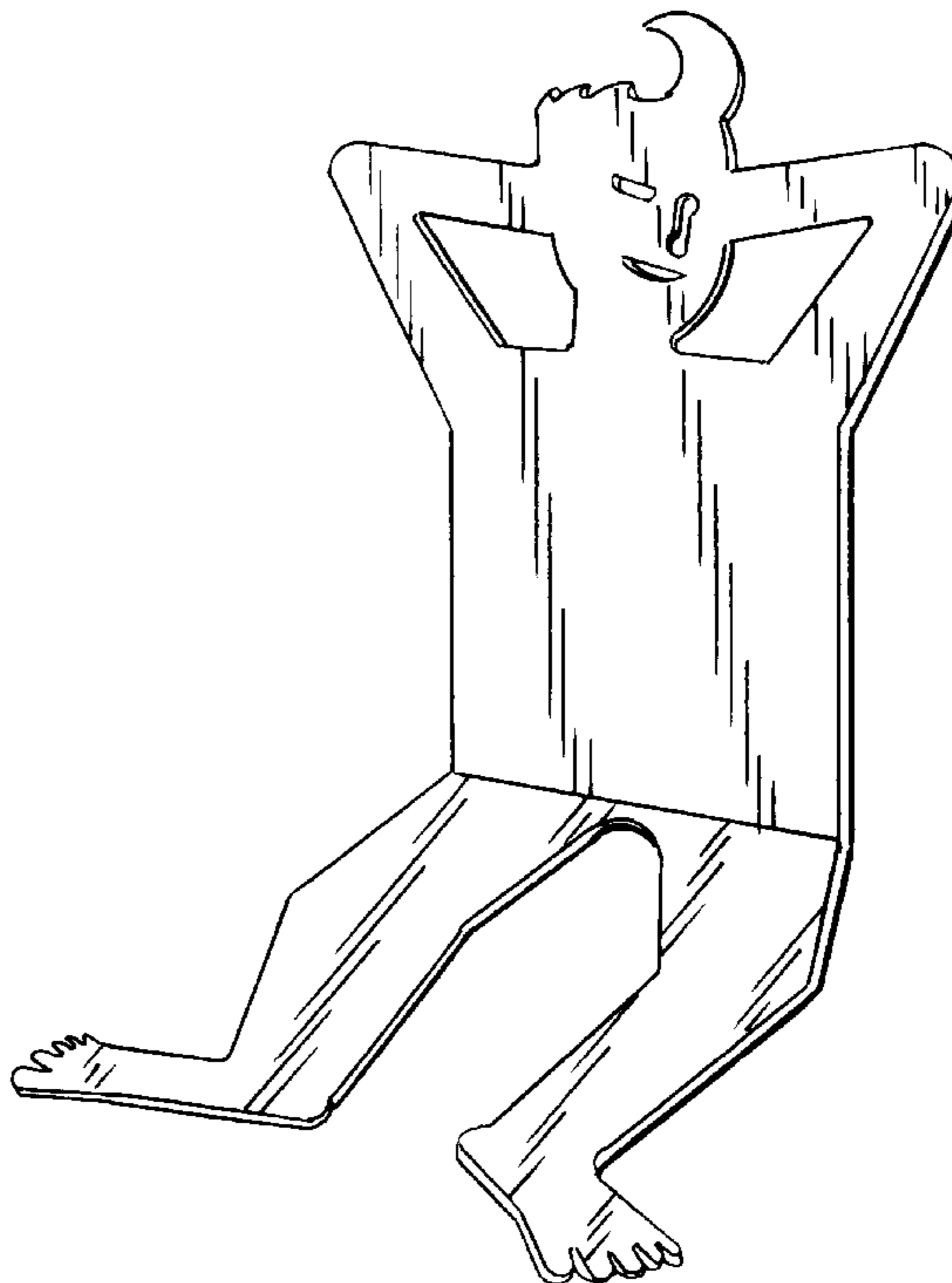
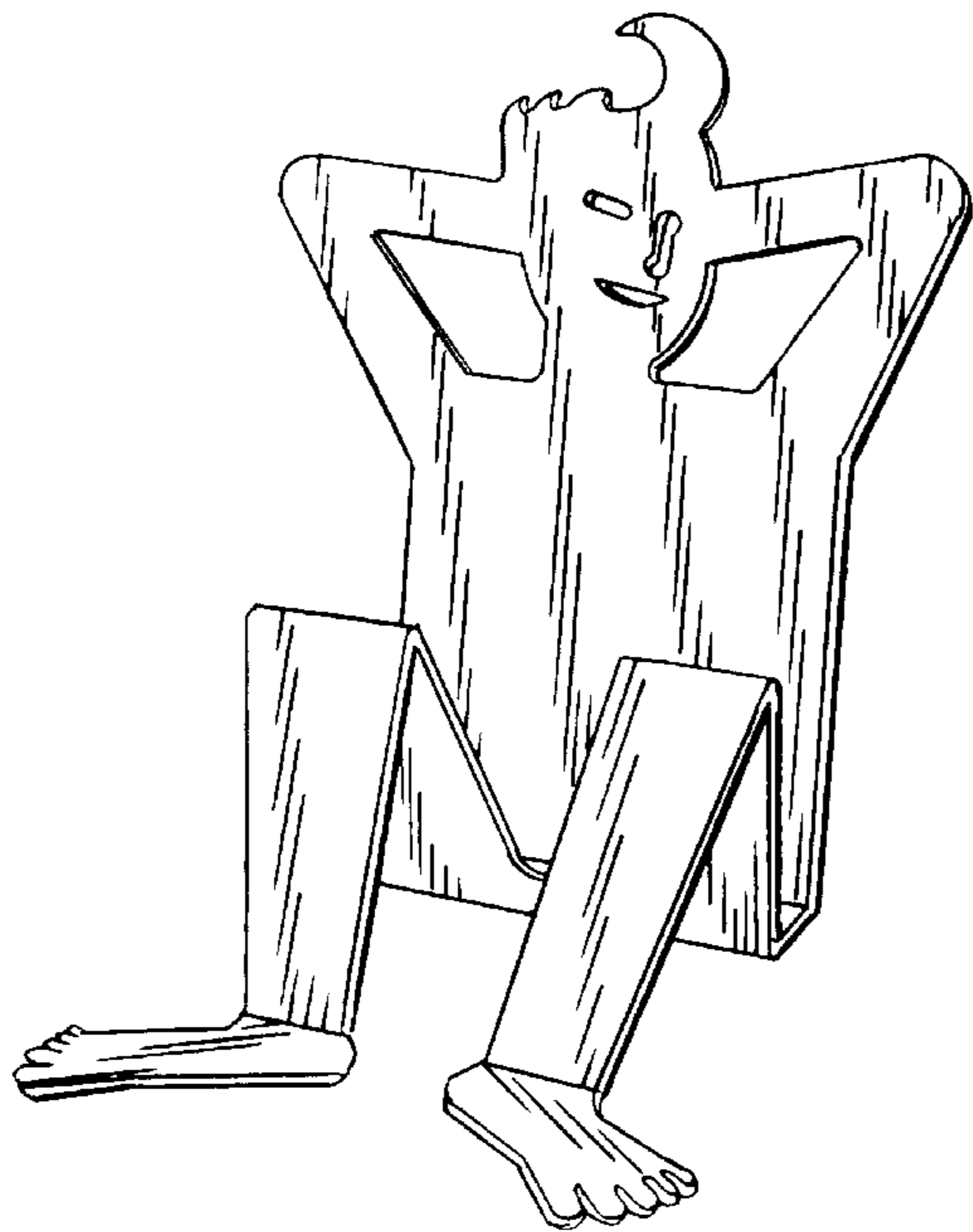


FIG. 1

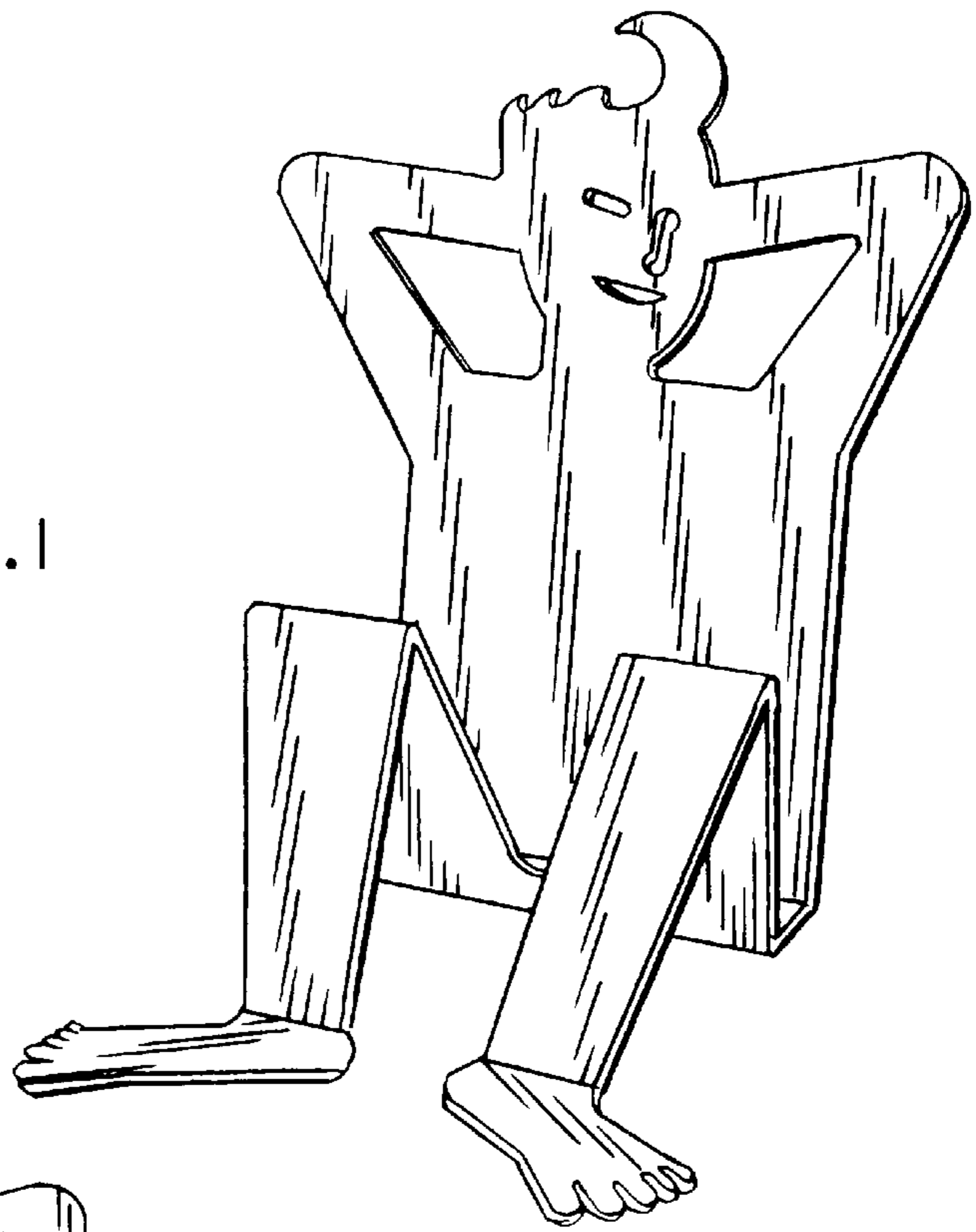


FIG. 2

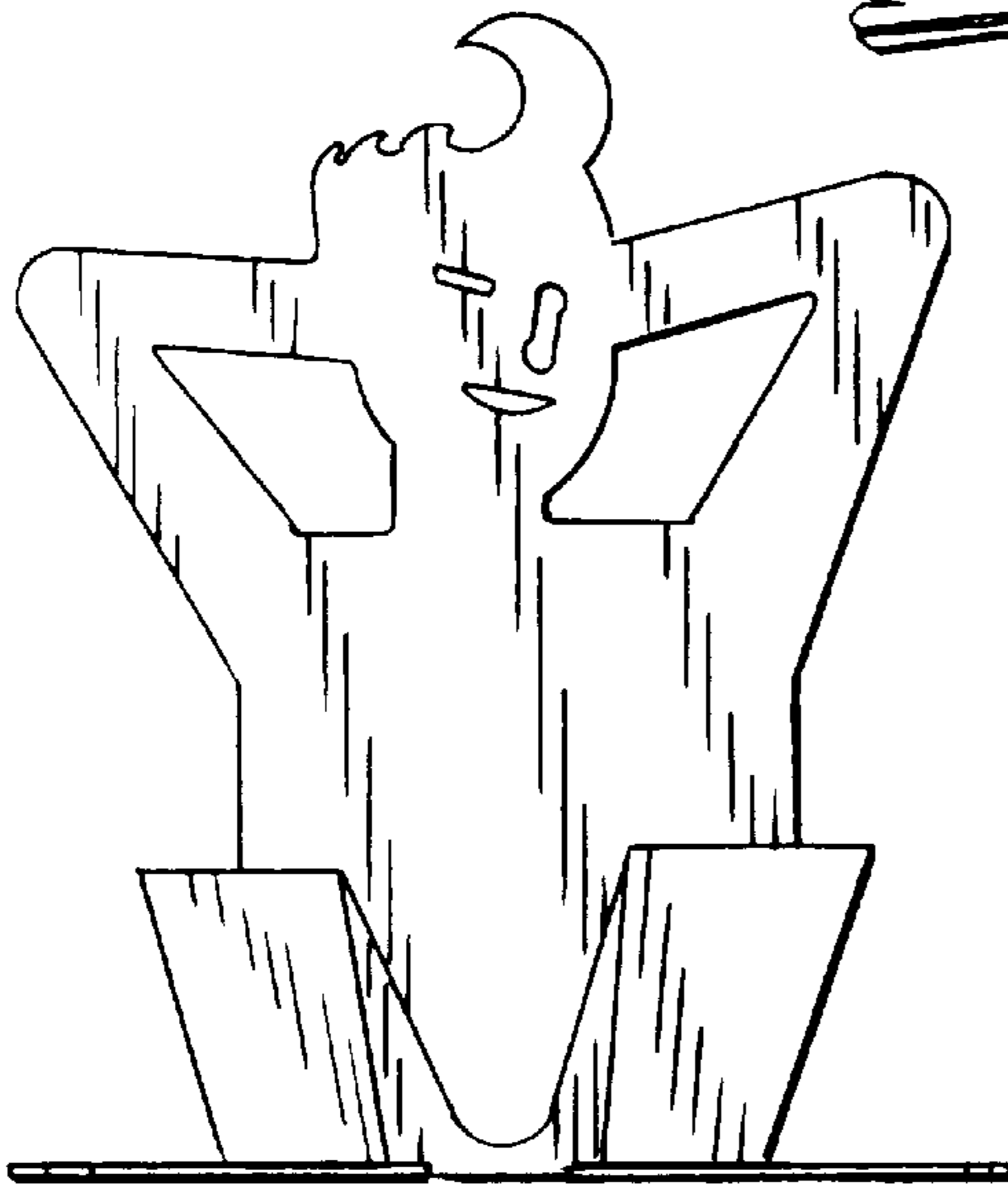
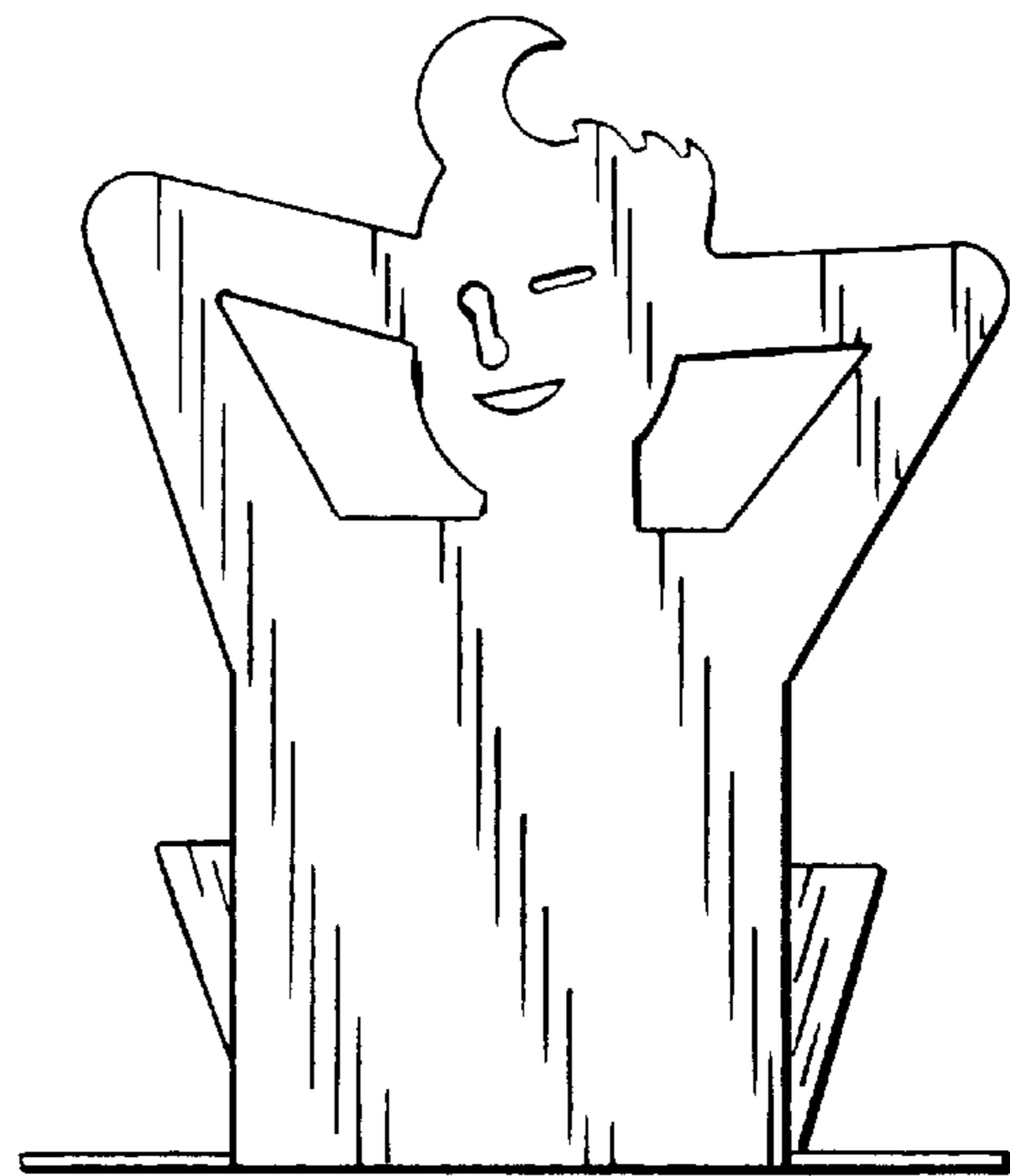


FIG. 3



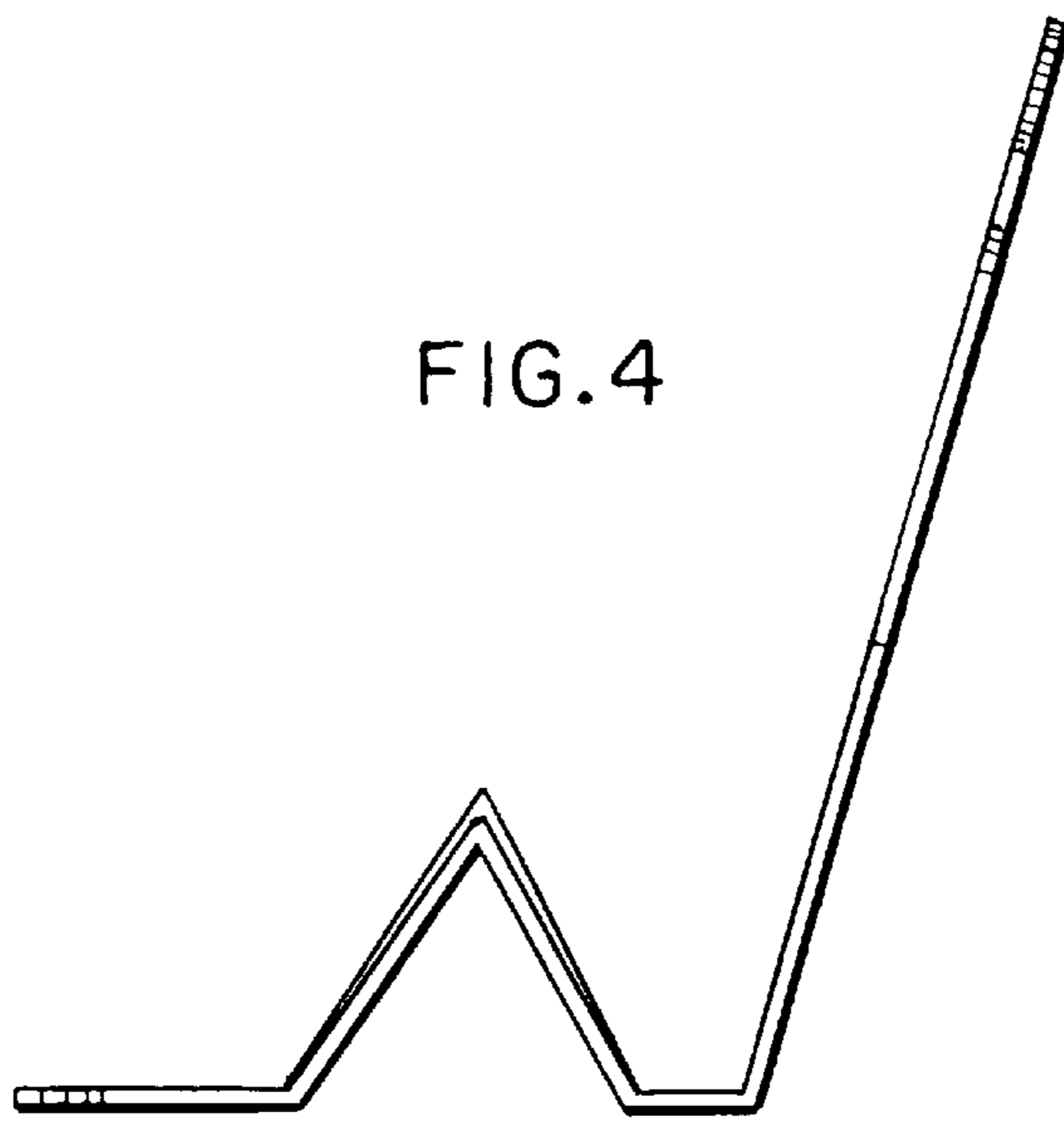


FIG. 4

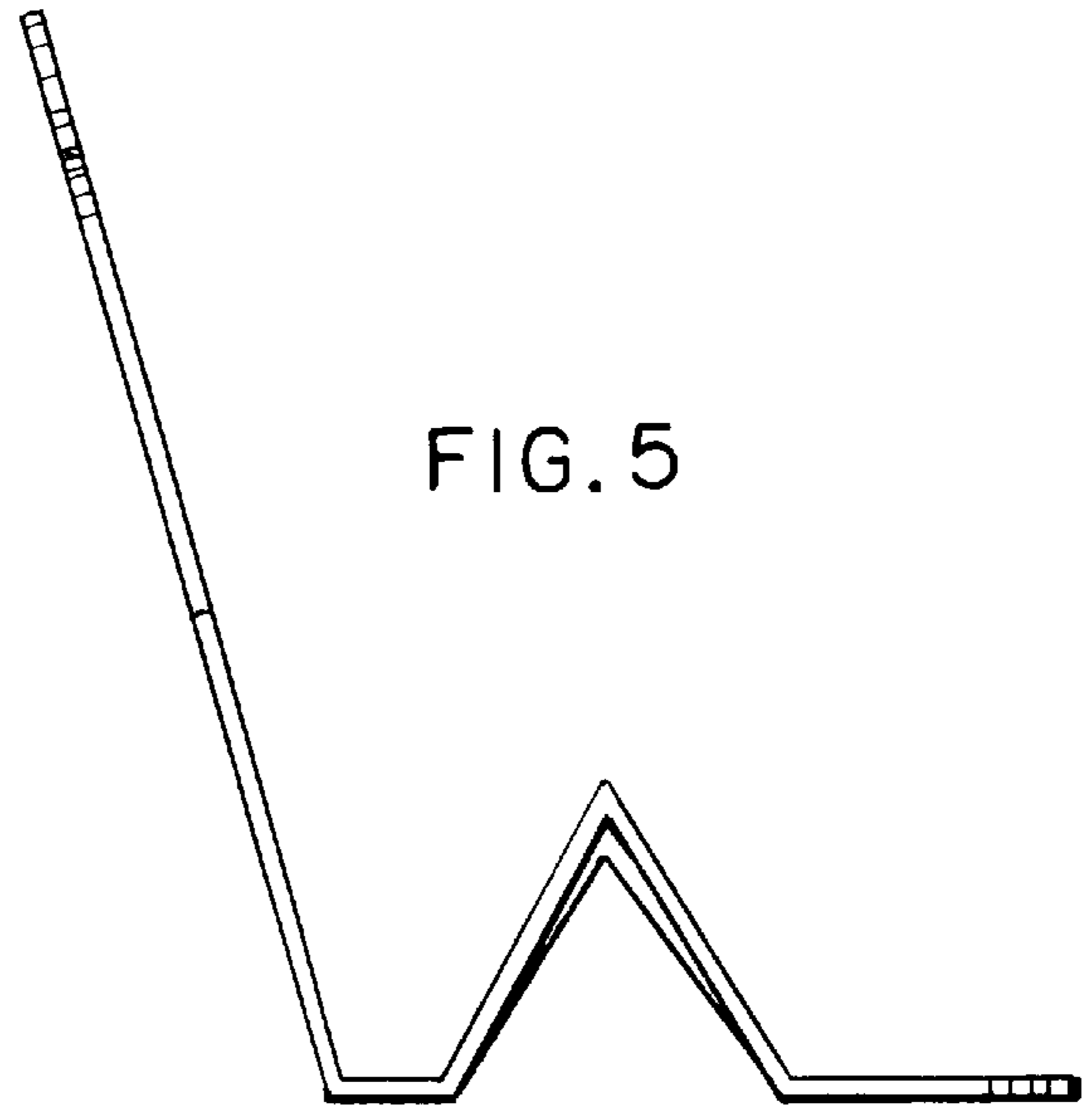


FIG. 5

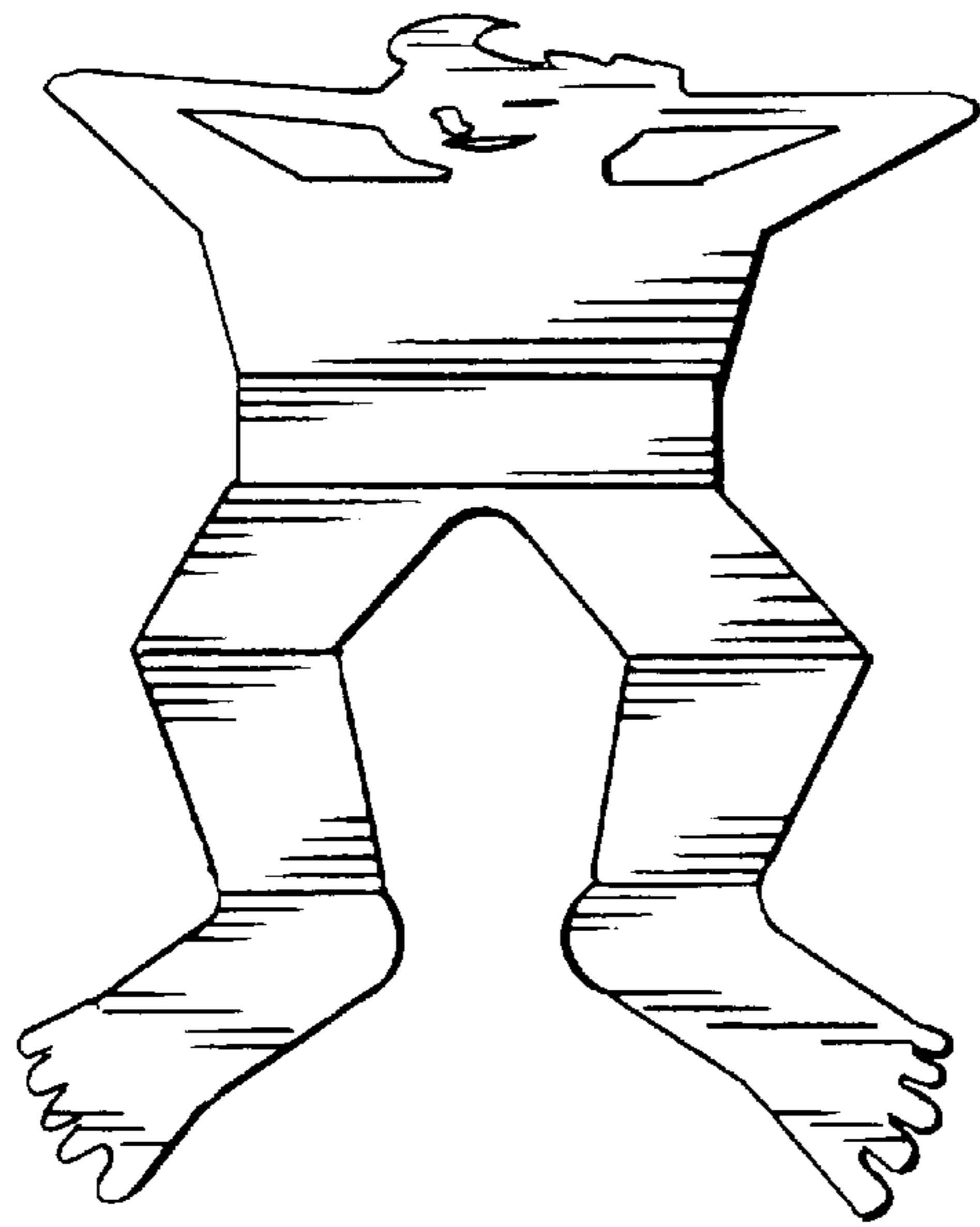


FIG. 6

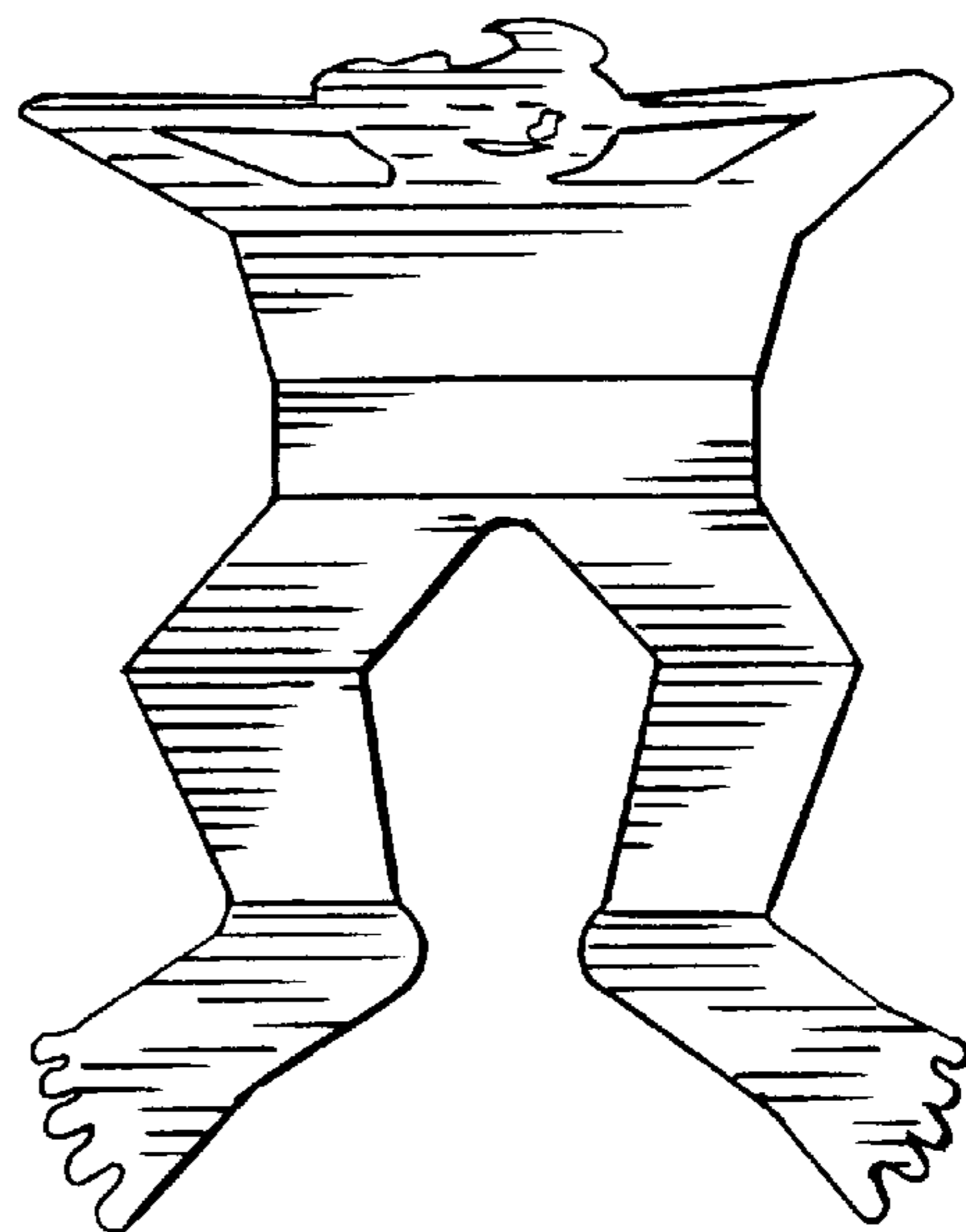


FIG. 7

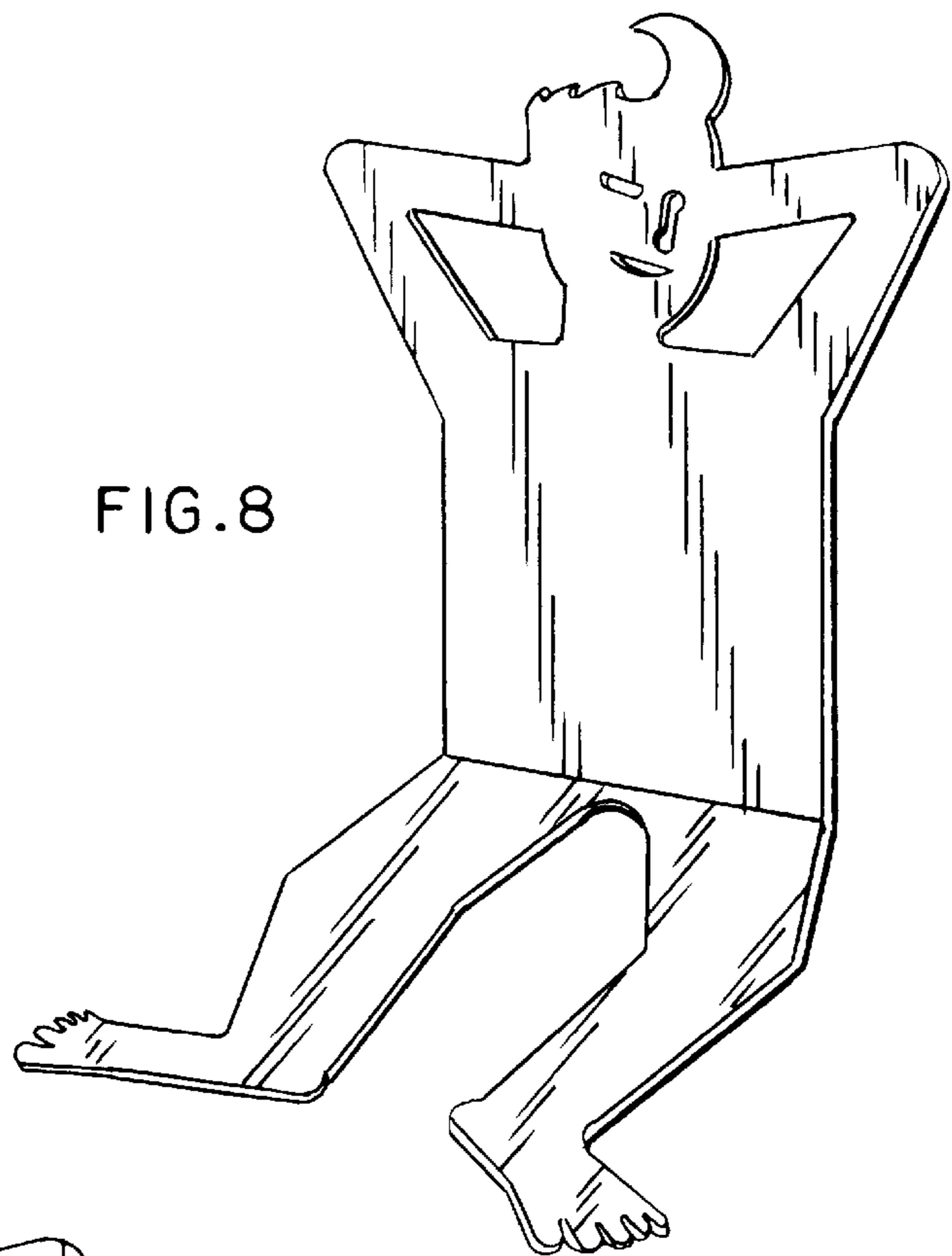


FIG. 8

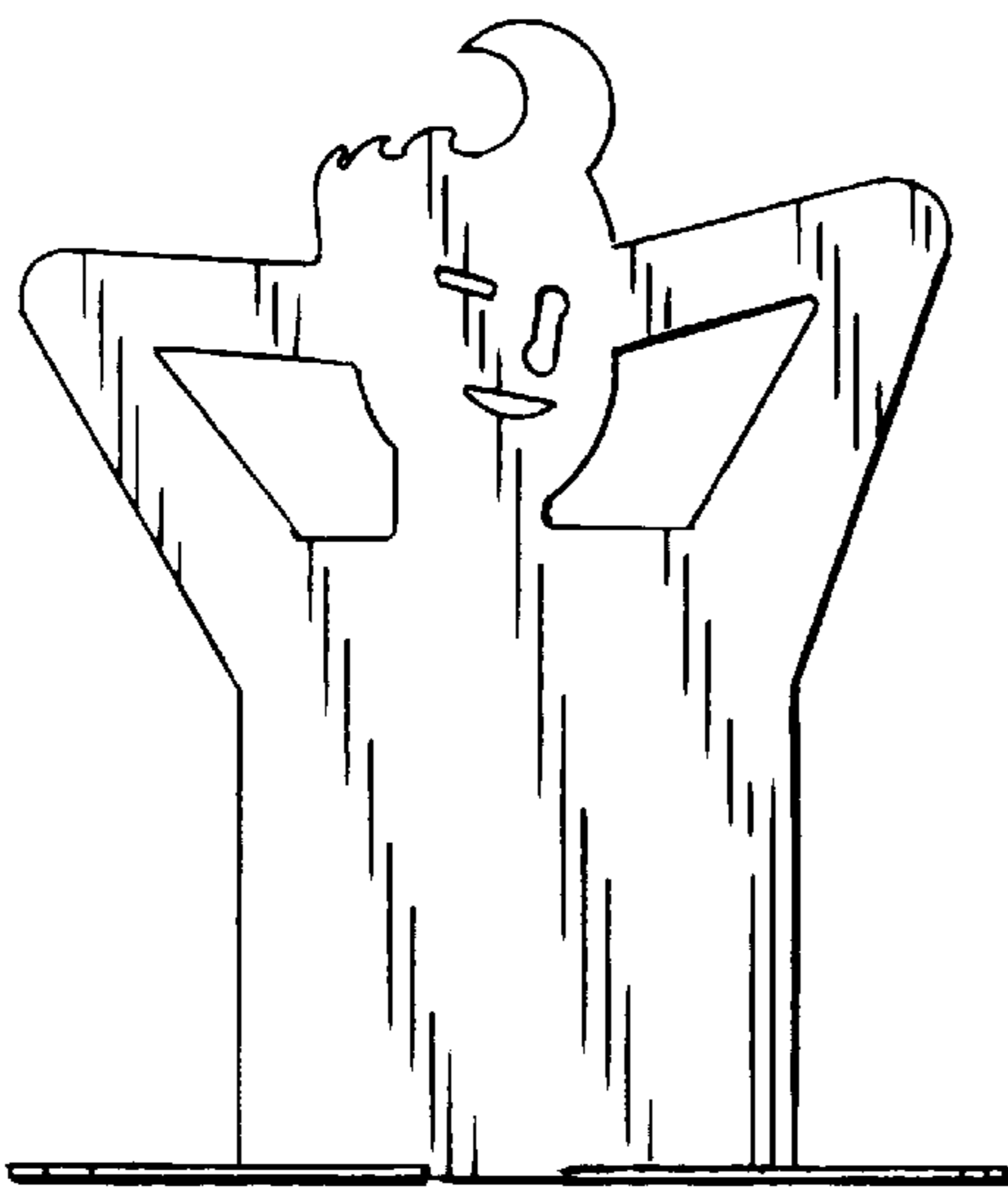


FIG. 9

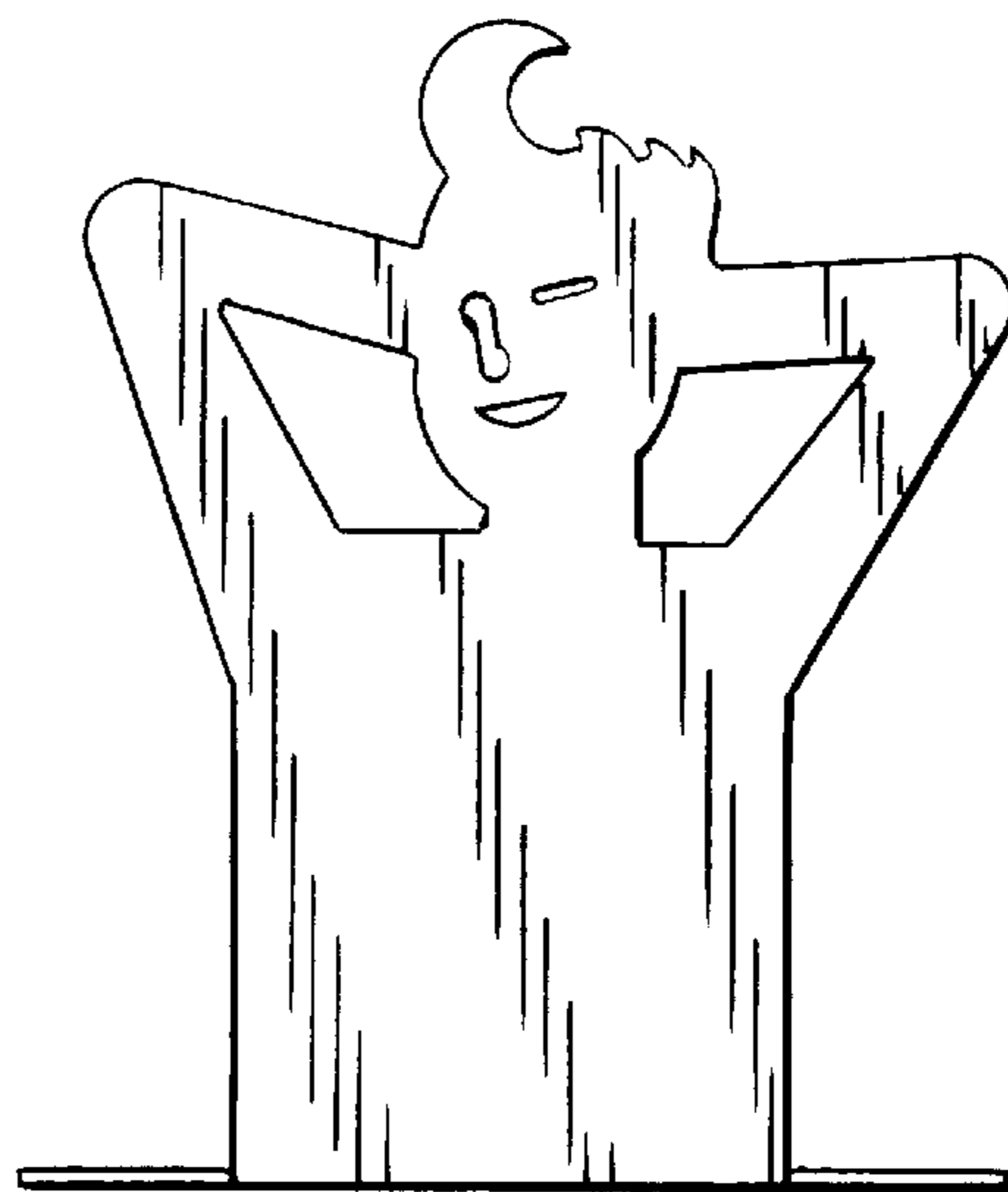


FIG. 10

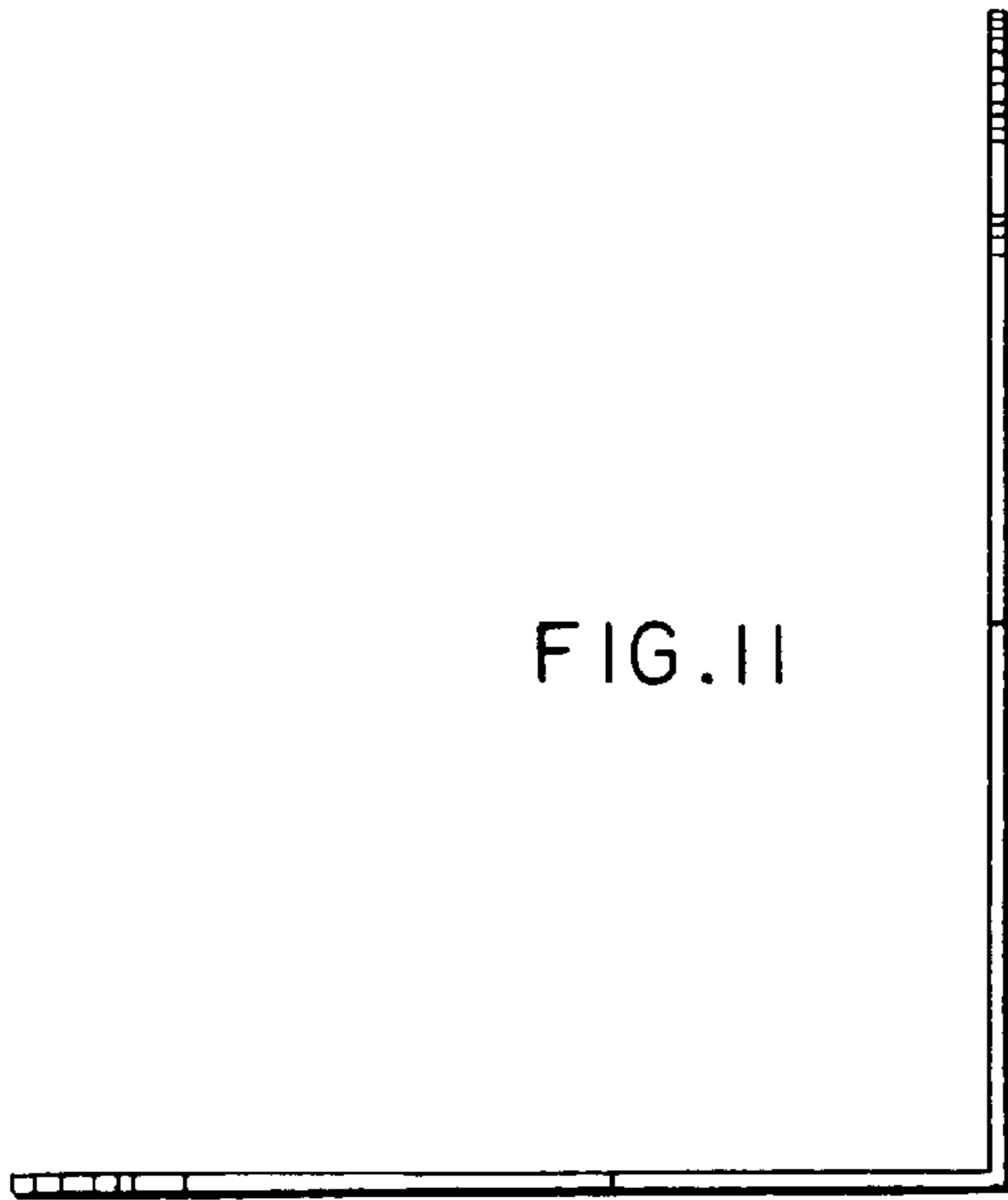


FIG. 11

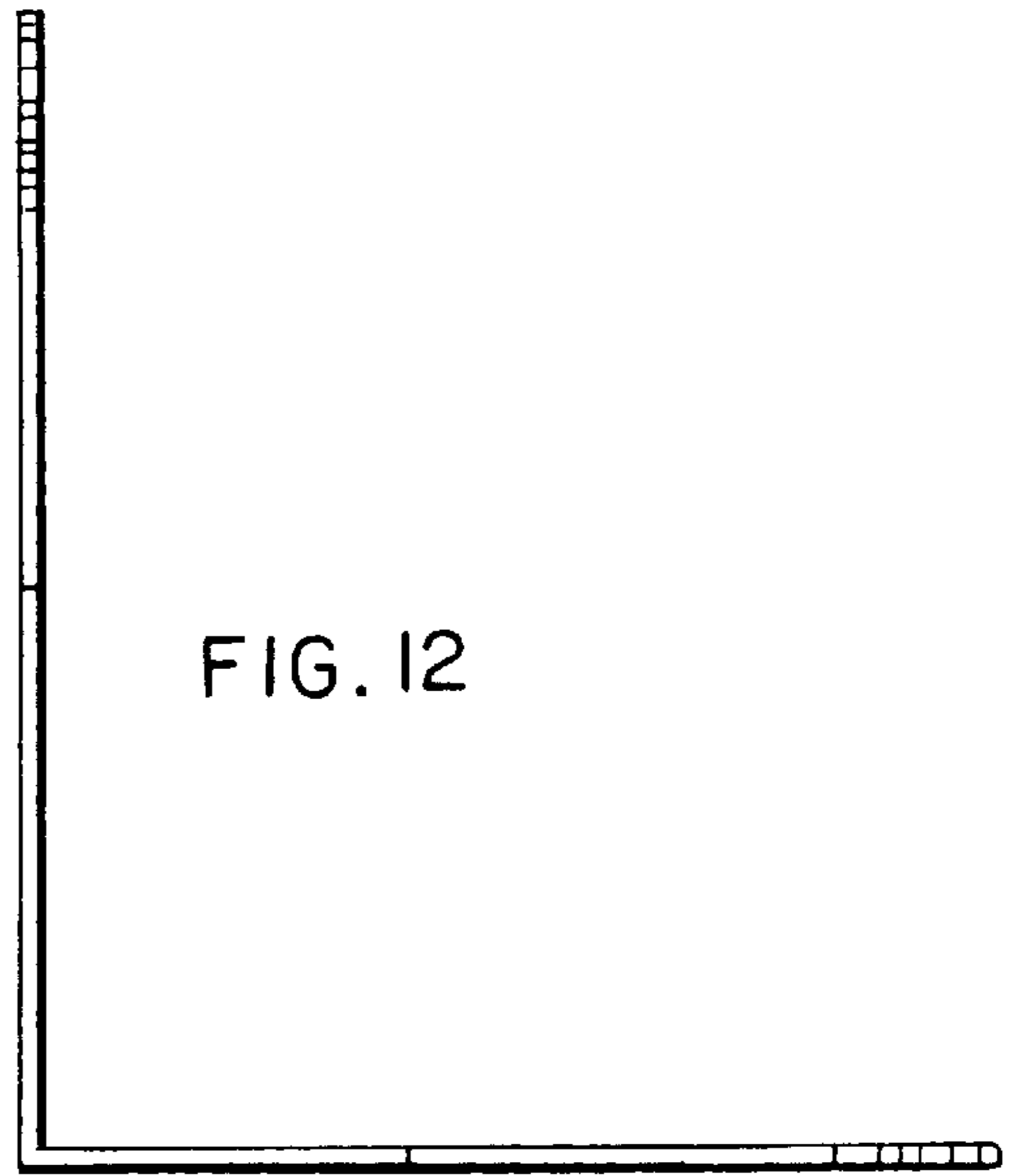


FIG. 12

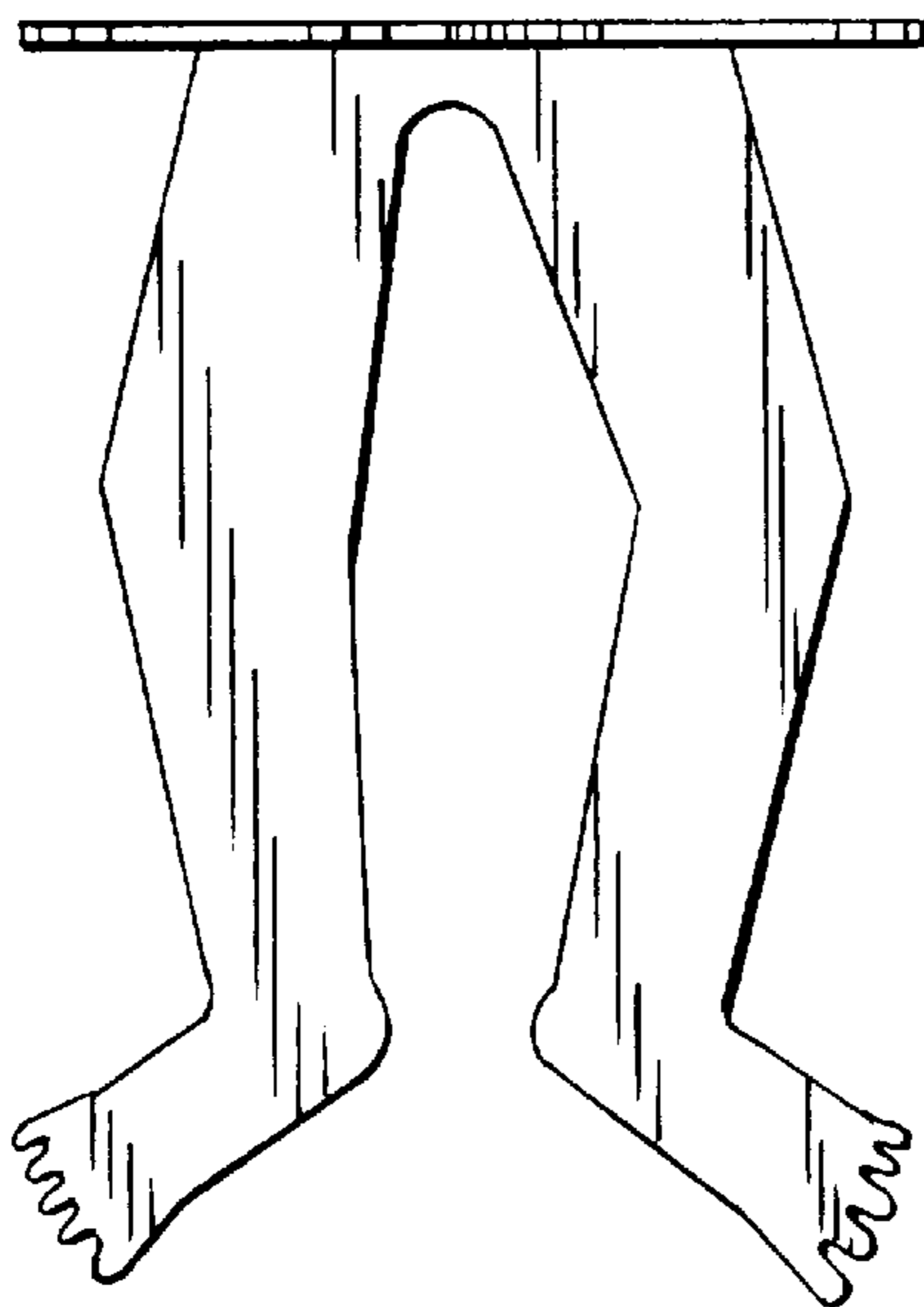


FIG. 13

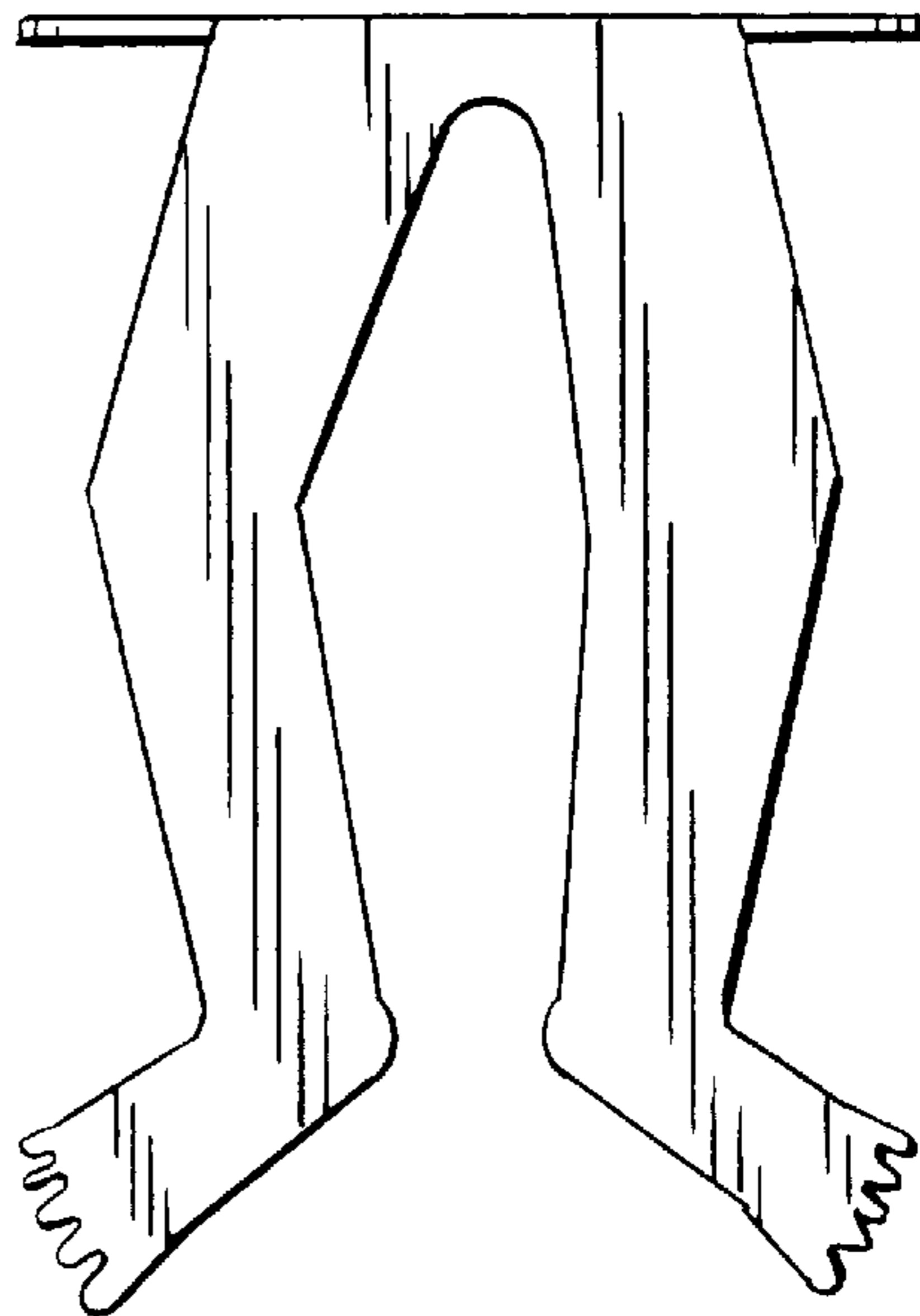


FIG. 14