



US00D426722S

# United States Patent [19] Bender

[11] **Patent Number: Des. 426,722**  
[45] **Date of Patent: \*\* Jun. 20, 2000**

[54] **COMPACT DISC ORGANIZER**

[76] Inventor: **Ernest H Bender**, 2850 Quail Haven Cir., Salt Lake City, Utah 84106

[\*\*] Term: **14 Years**

[21] Appl. No.: **29/107,908**

[22] Filed: **Jul. 15, 1999**

[51] **LOC (7) Cl. .... 06-04**

[52] **U.S. Cl. .... D6/407; D6/456; D6/470**

[58] **Field of Search** ..... D6/407, 626-630, D6/462-468, 450, 473-476, 556-567, 570-572, 553, 470-472, 455, 456; 312/9.1-9.64; 248/174; D32/55, 58; 211/40, 41.1, 41.2, 41.3, 41.4, 42, 41.12, 41.18, 48, 181.1; 206/307.1, 307, 308.1, 445, 387.15, 454, 387.1, 425

[56] **References Cited**

**U.S. PATENT DOCUMENTS**

D. 41,539	7/1911	Lee	.....	D6/456
D. 160,248	9/1950	Clime	.....	D6/456
D. 173,247	10/1954	White	.....	D6/468
D. 234,325	2/1975	Snyder	.....	D6/629
D. 239,685	4/1976	Peterson	.....	D6/456
D. 243,220	2/1977	Binion	.....	D6/457
D. 249,311	9/1978	Coulthurst	.....	D6/457

D. 259,847	7/1981	Hamby	.....	D7/641
D. 272,584	2/1984	Barber	.....	D6/455
D. 277,905	3/1985	Barber	.....	D6/629
D. 328,387	8/1992	McFarland et al.	.....	D6/631
D. 360,084	7/1995	Todd	.....	D6/407
3,334,950	8/1967	Brownlee	.....	211/40
5,499,726	3/1996	Mitchell	.....	248/174 X
5,547,085	8/1996	Gaus	.....	211/40

*Primary Examiner*—Jeffrey Asch

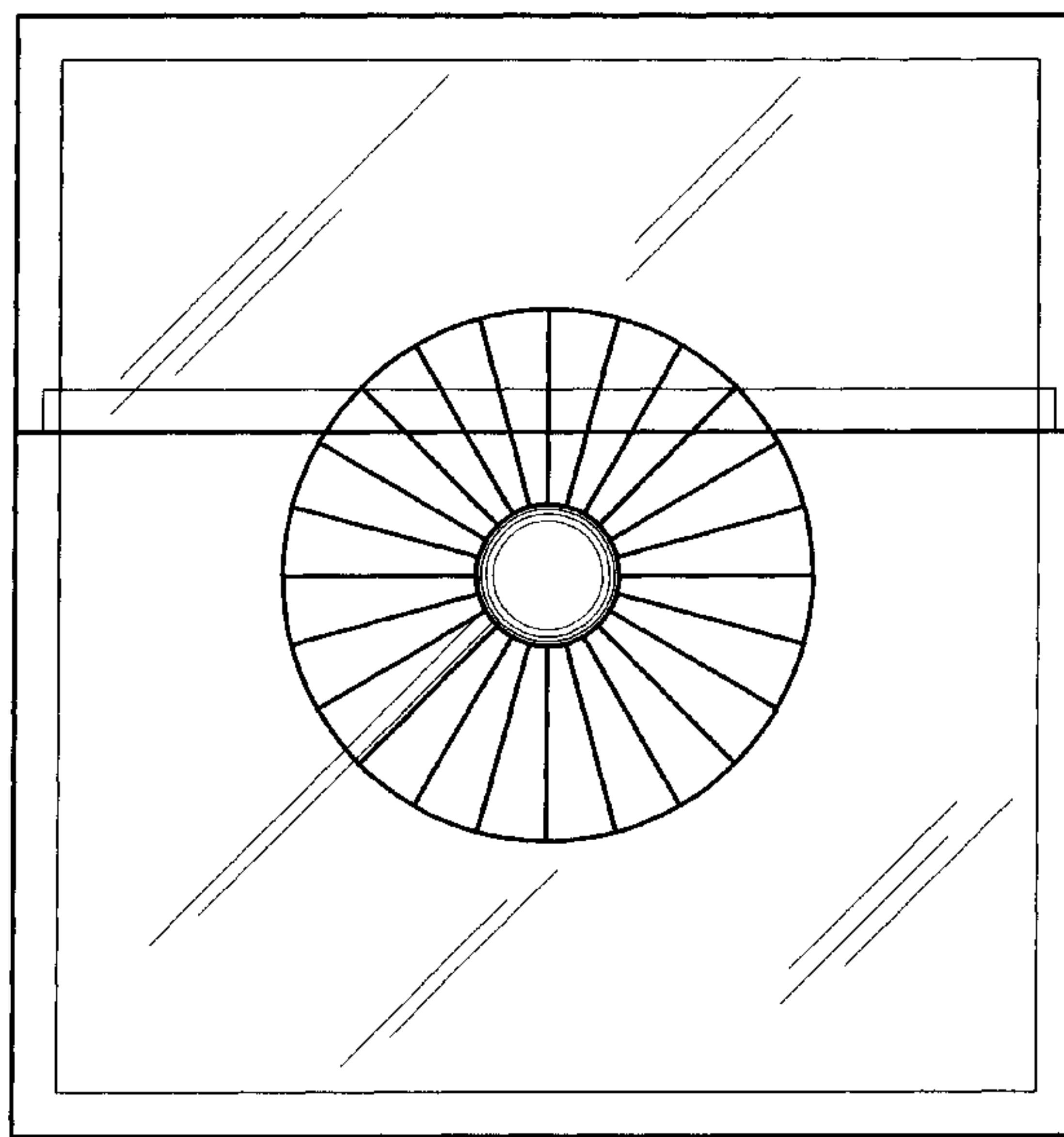
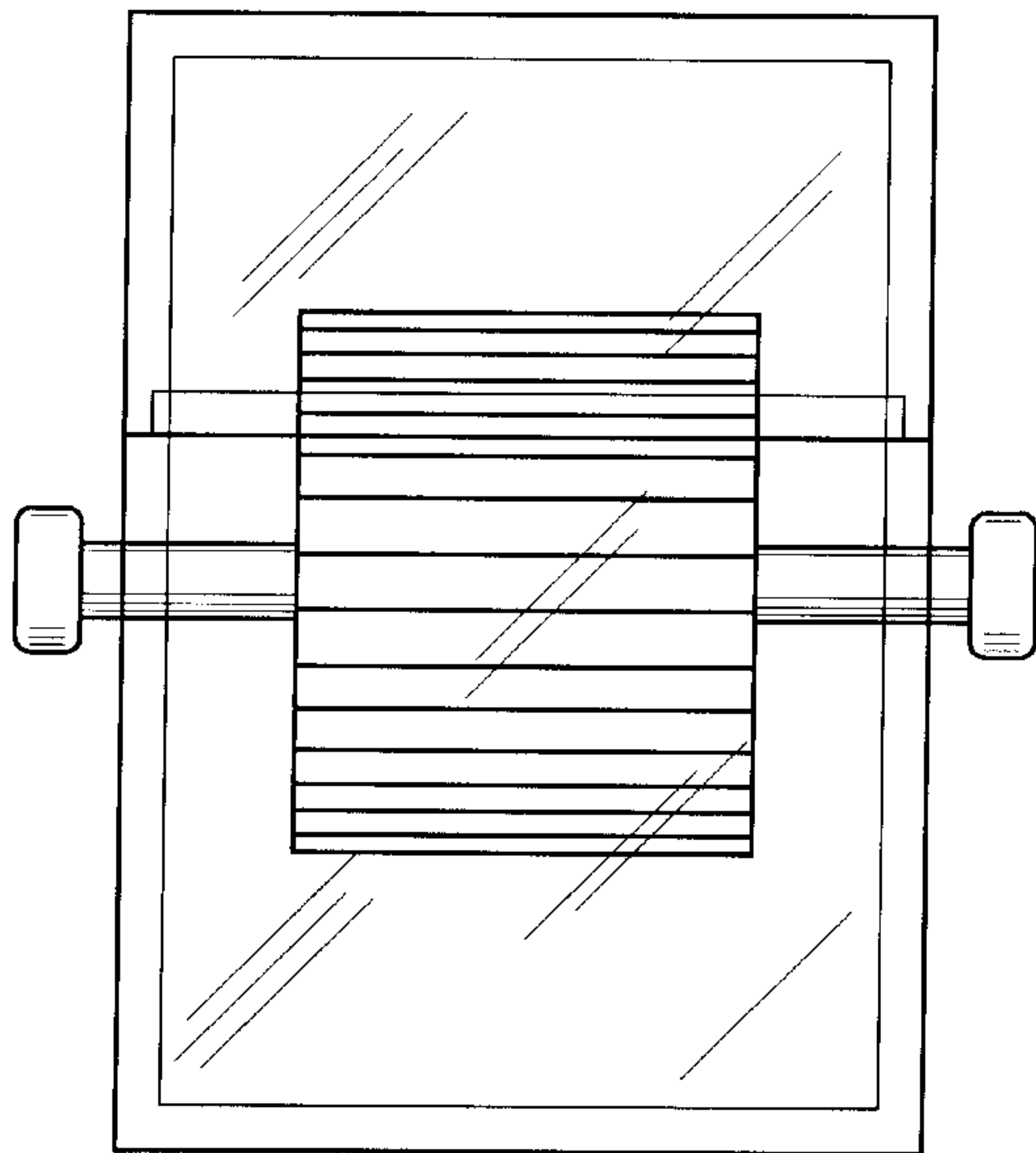
[57] **CLAIM**

The ornamental design for a compact disc organizer, as shown and described.

**DESCRIPTION**

FIG. 1 is a front elevational view of the compact disc organizer of the present invention;  
FIG. 2 is a rear elevational view of the compact disc organizer of FIG. 1;  
FIG. 3 is a left side elevational view of the compact disc organizer of FIG. 1;  
FIG. 4 is a right side elevational view of the compact disc organizer of FIG. 1;  
FIG. 5 is a top plan view of the compact disc organizer of FIG. 1; and,  
FIG. 6 is a bottom plan view of the compact disc organizer of FIG. 1.

**1 Claim, 3 Drawing Sheets**



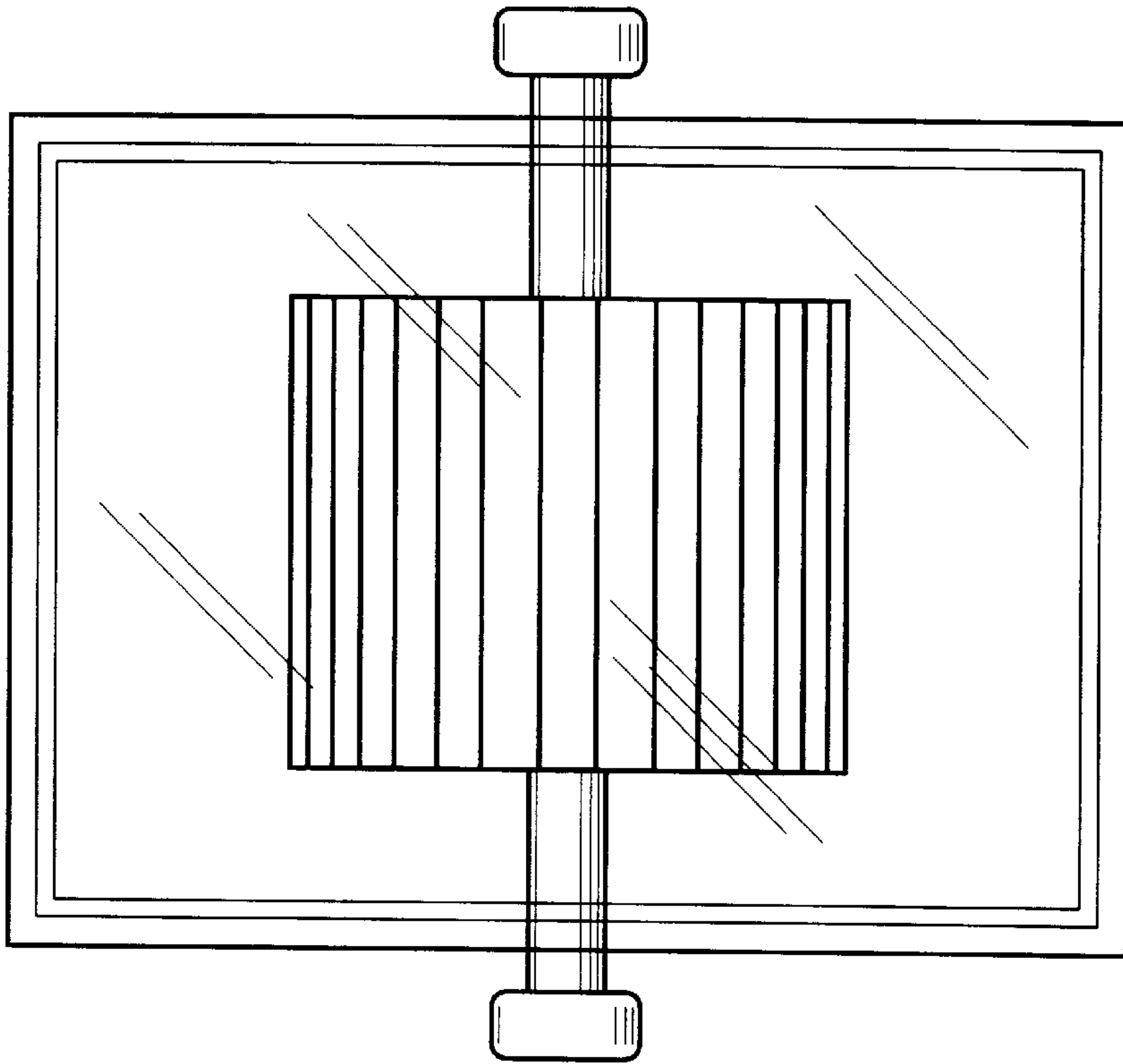


FIG. 5

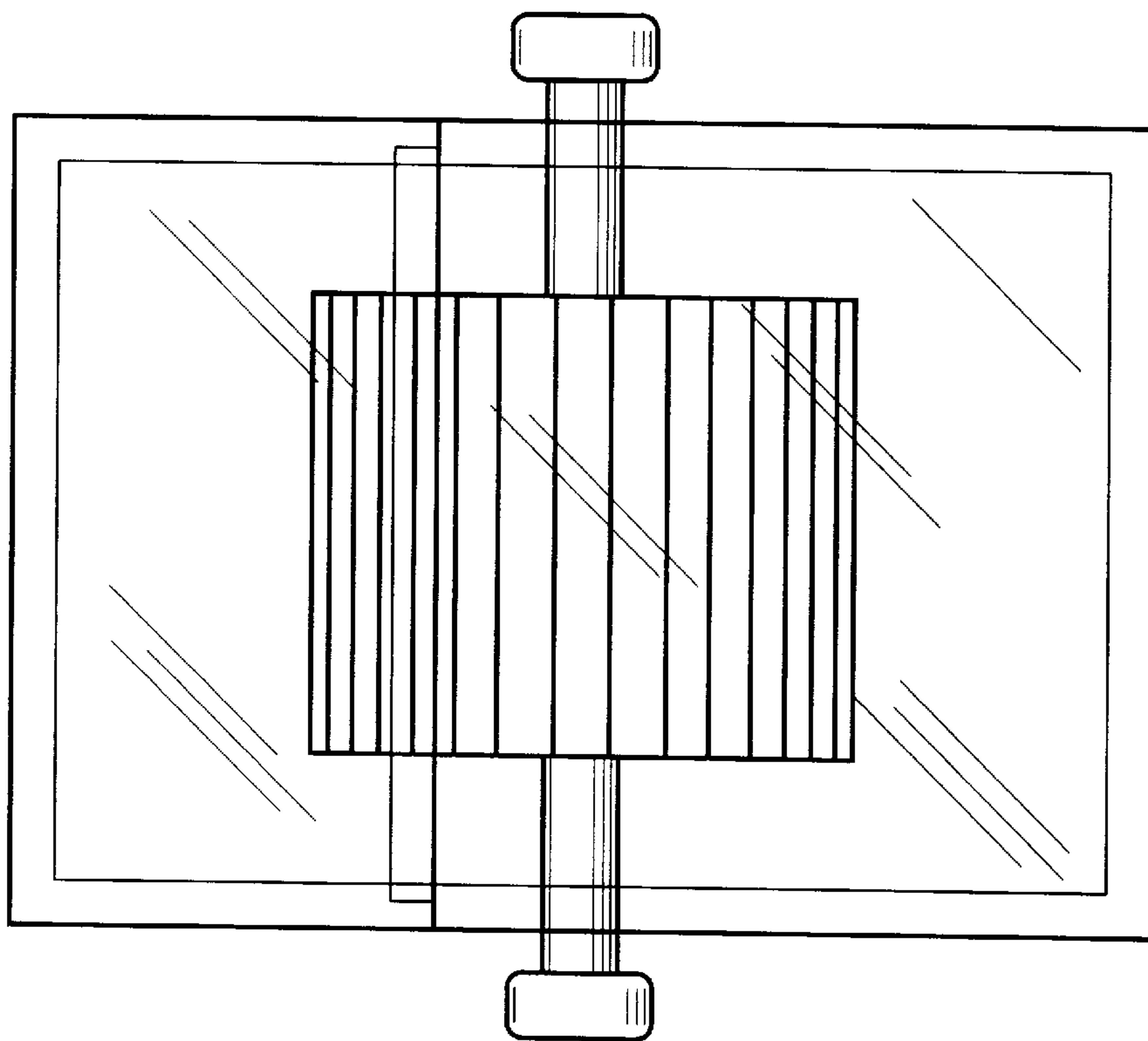


FIG. 1

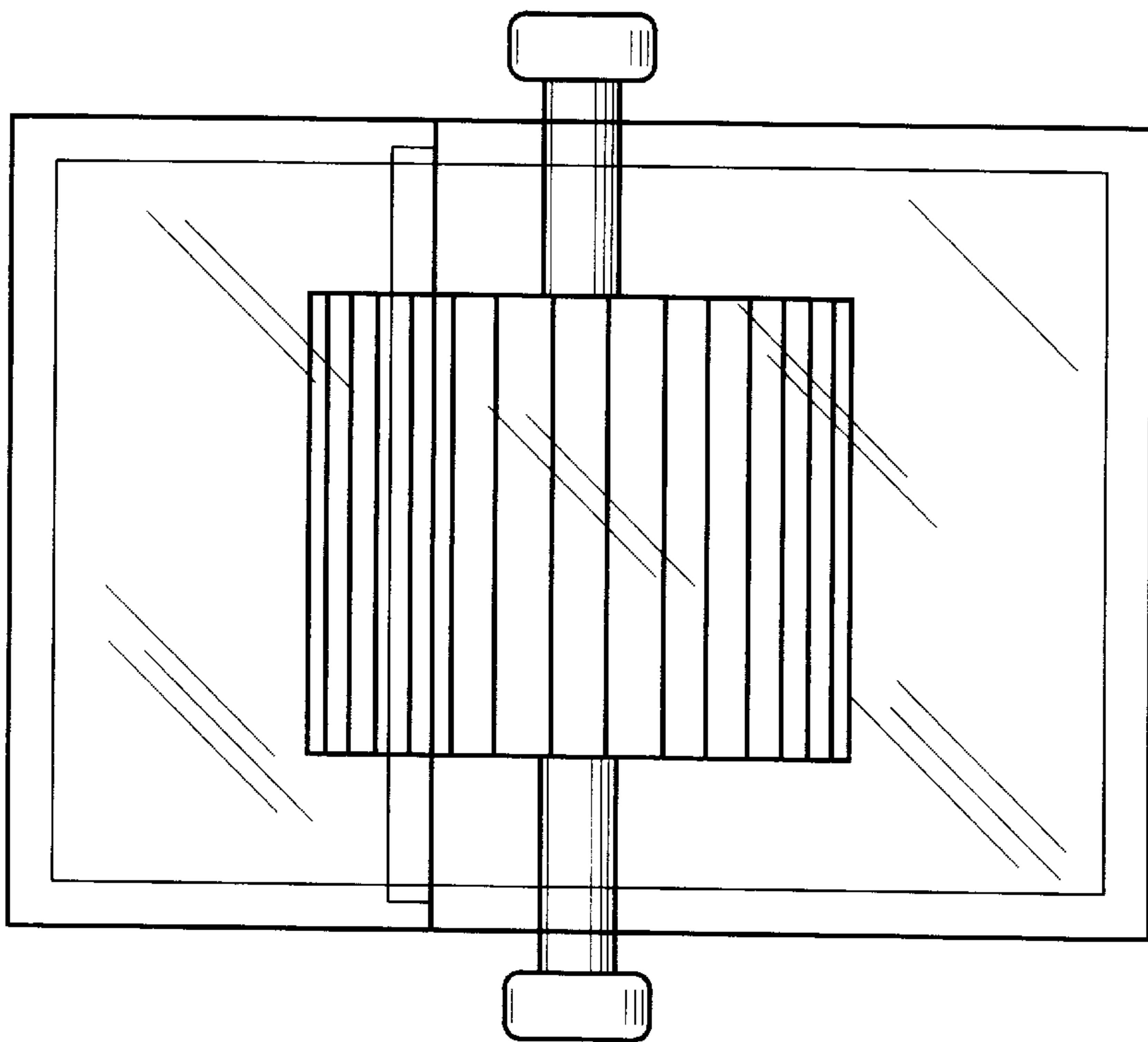


FIG. 2

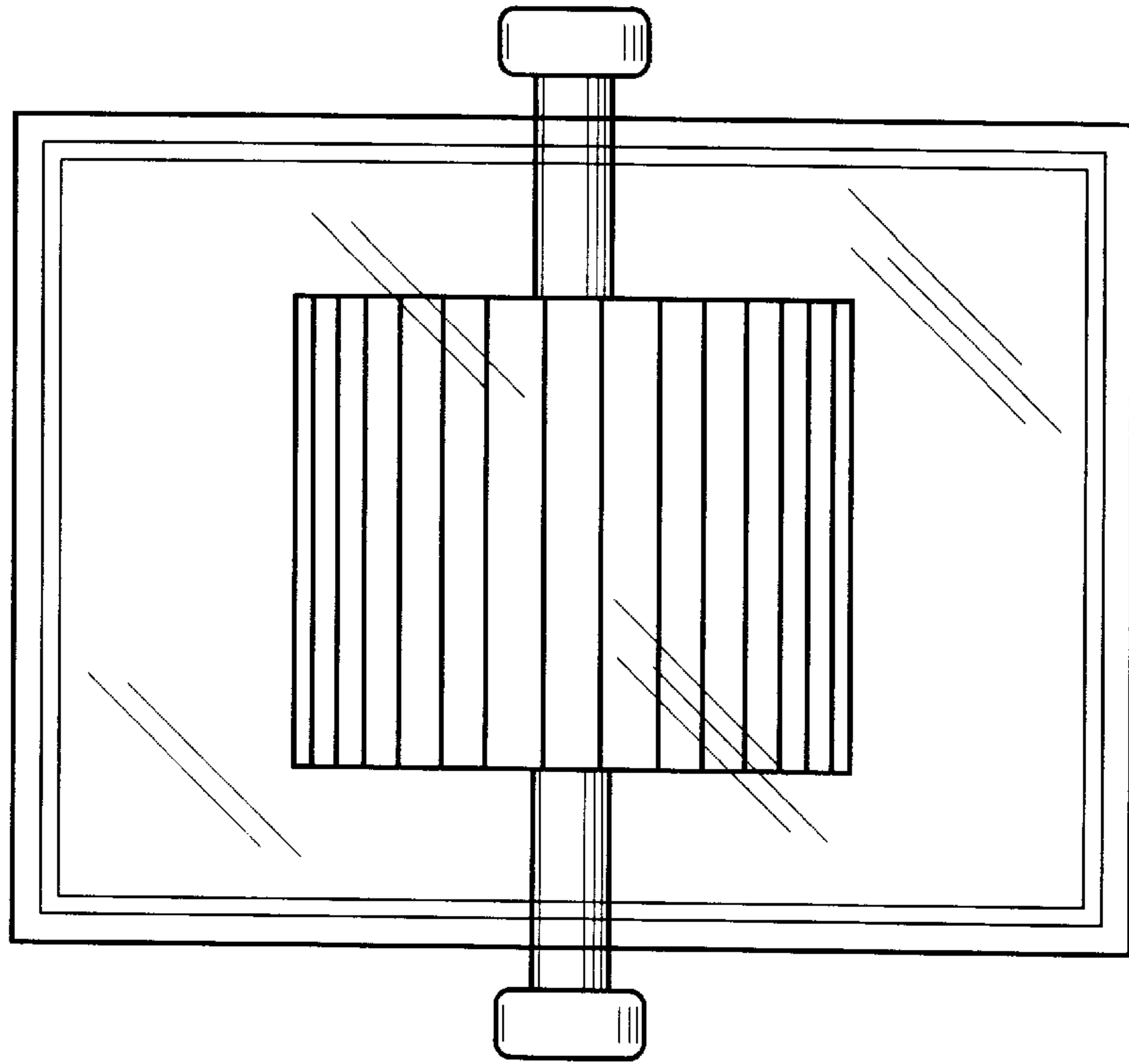


FIG. 6

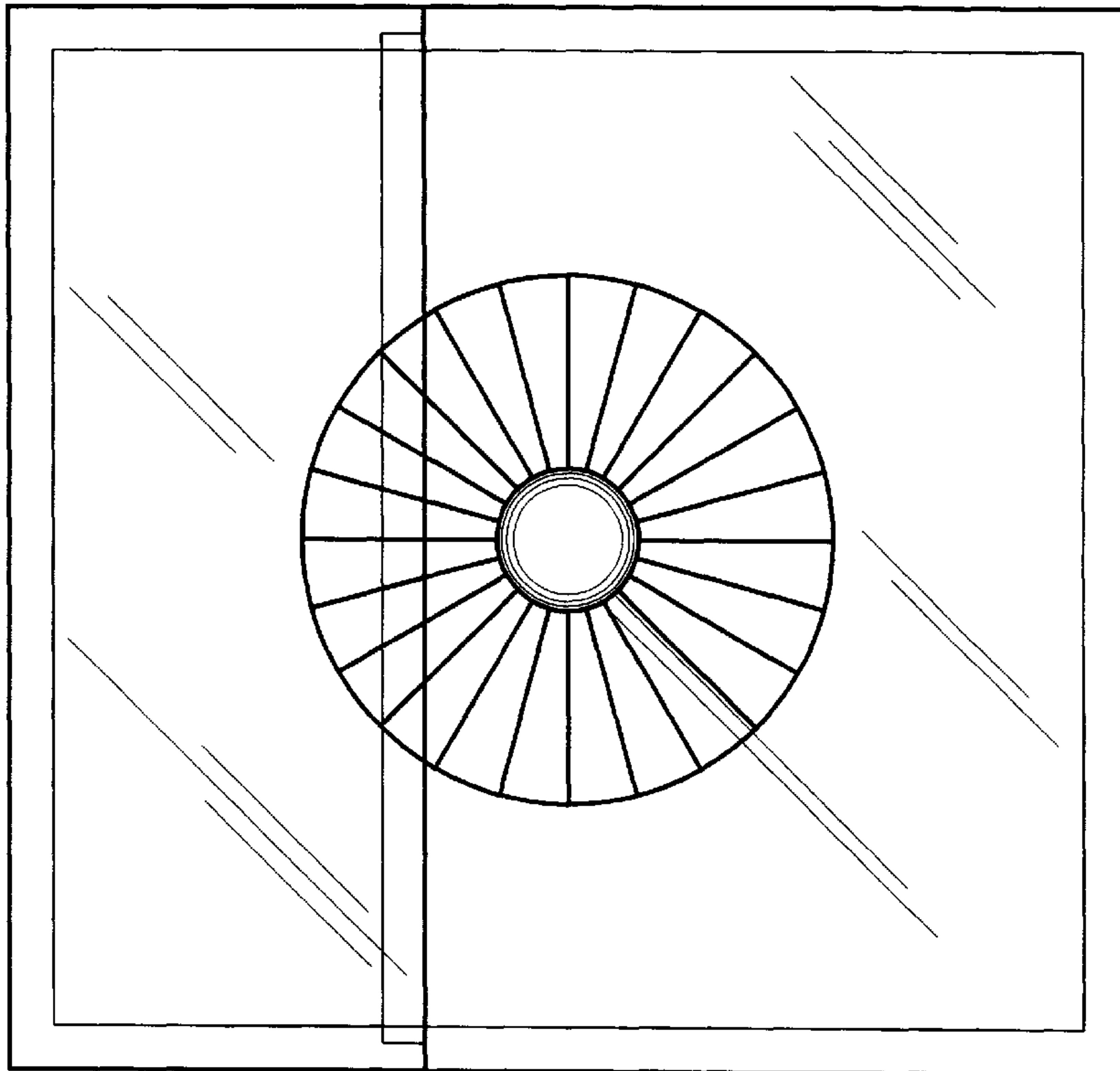


FIG. 3

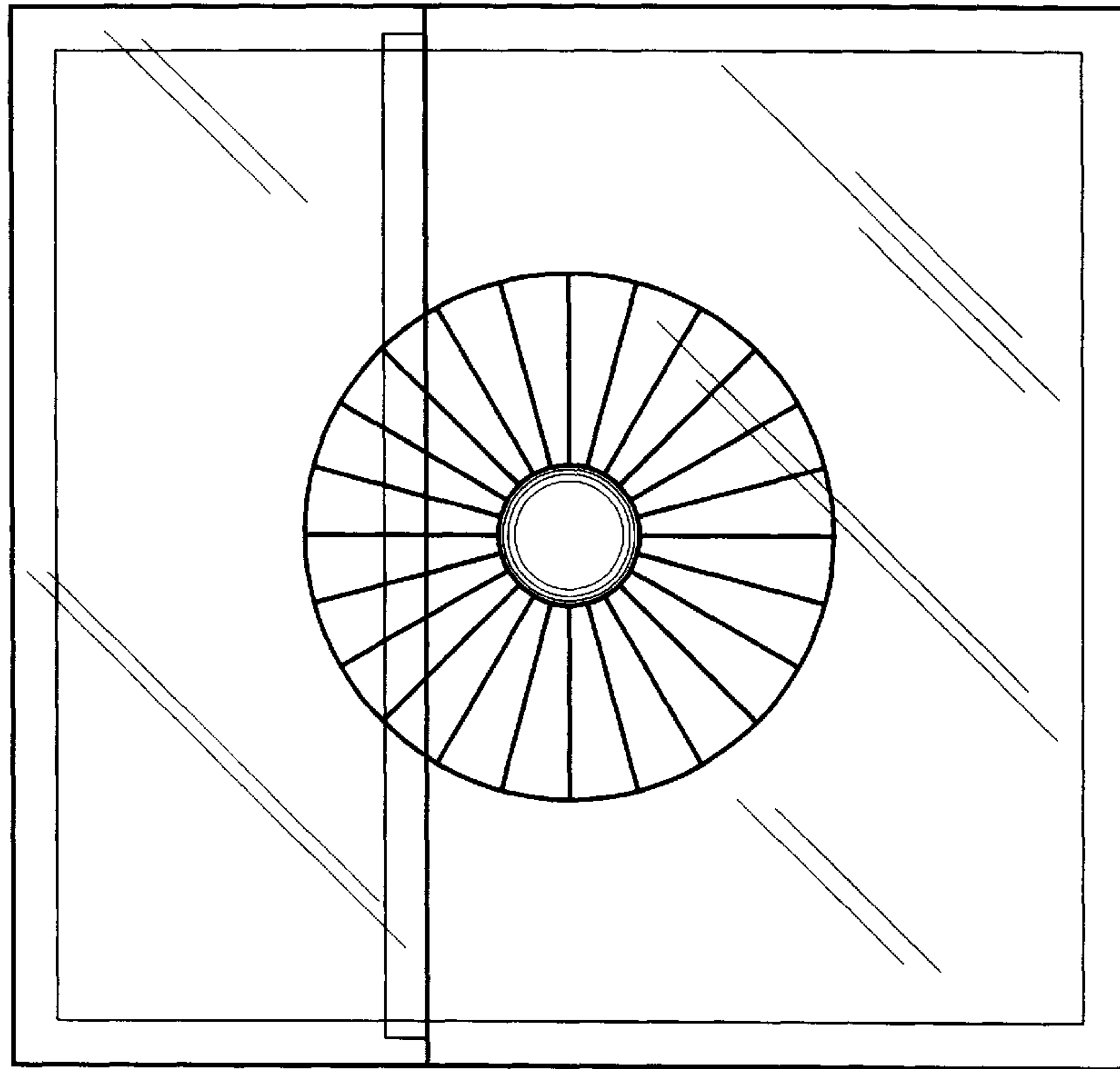


FIG. 4