



US00D426720S

United States Patent [19]
Graziano

[11] **Patent Number: Des. 426,720**
[45] **Date of Patent: ** Jun. 20, 2000**

[54] **DECORATIVE BED FRAME**

[75] Inventor: **Julia Graziano**, Montclair, N.J.

[73] Assignee: **Julia Designs, Inc.**, Montclair, N.J.

[**] Term: **14 Years**

[21] Appl. No.: **29/097,261**

[22] Filed: **Dec. 2, 1998**

[51] **LOC (7) Cl.** **06-01**

[52] **U.S. Cl.** **D6/382**

[58] **Field of Search** D6/382, 392, 393-395,
D6/503; 5/907, 279.1, 280, 281, 310; 248/188,
188.1, 188.8

760,552	5/1904	Norton .
1,050,066	1/1913	Lund .
1,162,451	11/1915	Caverly et al. .
1,325,917	12/1919	Spencer .
1,851,282	3/1932	Jacobs .
2,019,203	10/1935	Thompson .
2,466,494	4/1949	Slagle .
2,501,878	3/1950	Shapiro .
2,599,273	6/1952	Mitchell .
2,638,607	5/1953	Evans .
3,810,264	5/1974	Mueller 5/220
4,536,904	8/1985	Whitehead .
4,679,261	7/1987	Stanley et al. .

Primary Examiner—Janice E. Seeger
Attorney, Agent, or Firm—Kenyon & Kenyon

[56] **References Cited**

U.S. PATENT DOCUMENTS

D. 22,864	10/1893	Mersereau .	
24,711	7/1859	Batchelor .	
27,489	3/1860	Waldo .	
D. 36,281	4/1903	Orcutt .	
D. 72,127	3/1927	Antrobus	D6/393
D. 72,994	7/1927	Erskine .	
D. 79,645	10/1929	Ekvall .	
D. 230,451	2/1974	Cohen .	
D. 326,576	6/1992	Keller .	
D. 343,735	2/1994	Ferguson .	
D. 353,949	1/1995	Ferguson .	
513,684	1/1894	Hoskins .	

[57] **CLAIM**

The ornamental design for a decorative bed frame, as shown and described.

DESCRIPTION

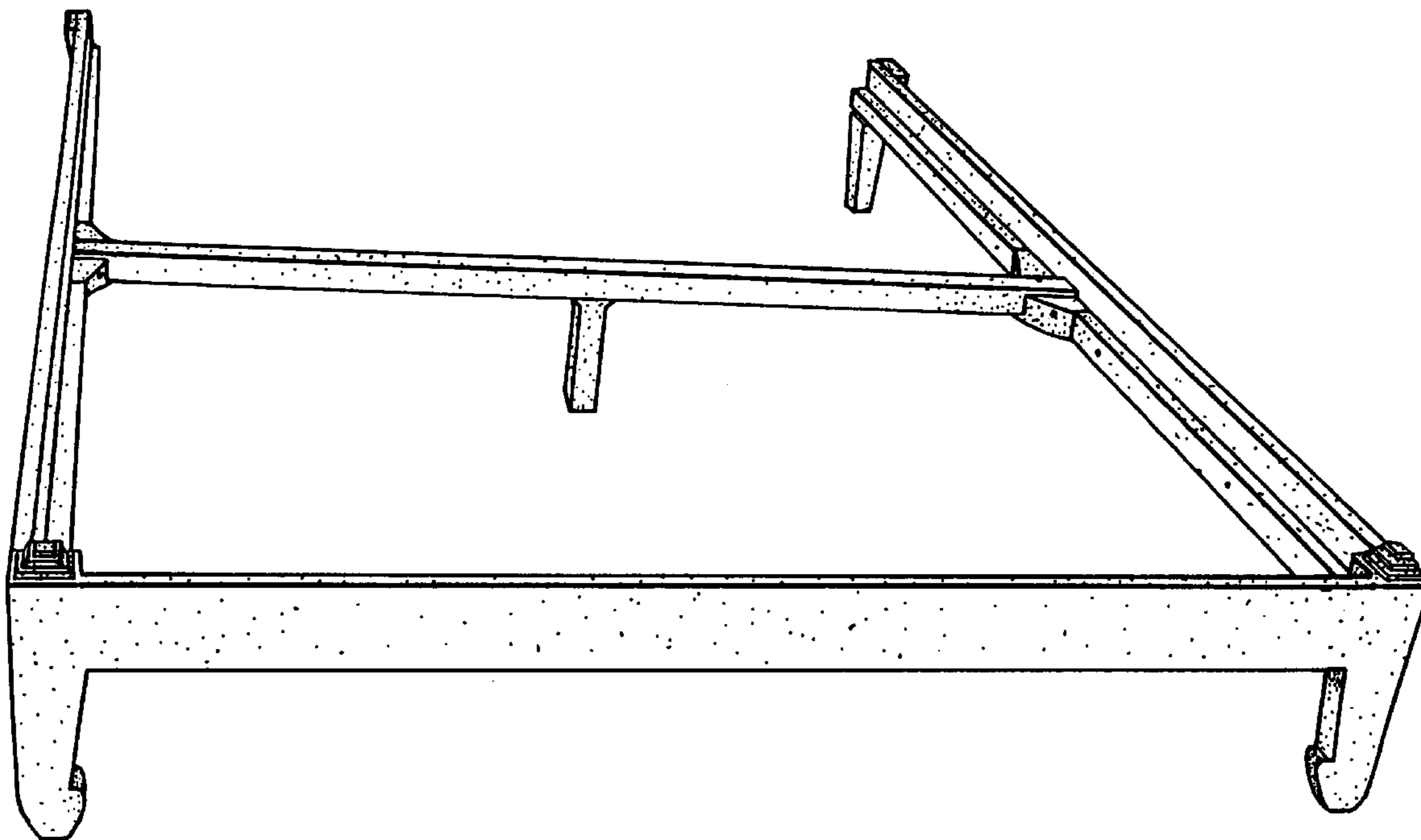
FIG. 1 is a perspective view of a design for a decorative bed frame.

FIG. 2 is a front elevational view of the decorative bed frame.

FIG. 3 is a right side elevational view of the decorative bed frame.

FIG. 4 is a top plan view of the decorative bed frame; and, FIG. 5 is a rear elevational view of the decorative bed frame.

1 Claim, 3 Drawing Sheets



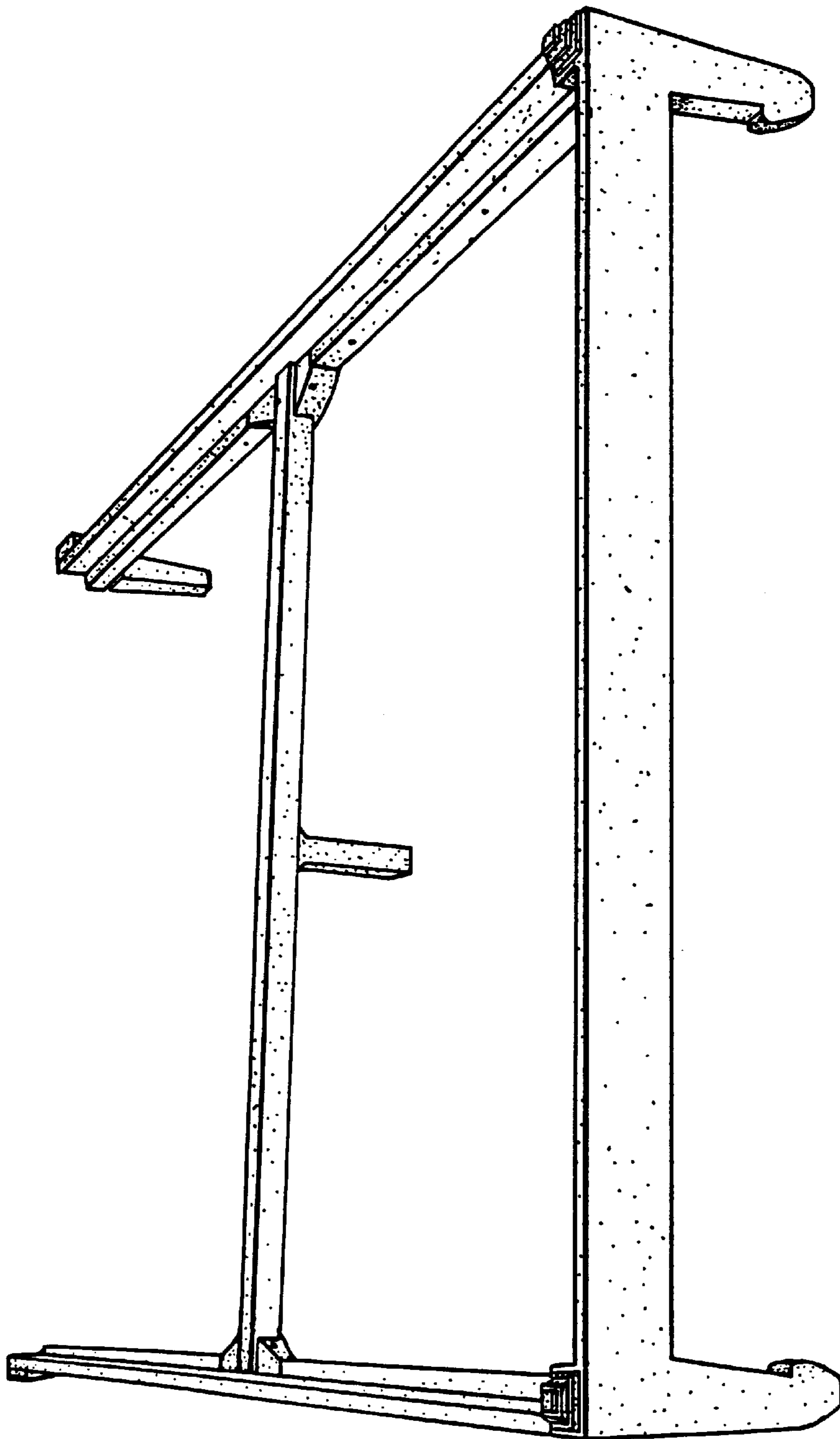


FIG. 1

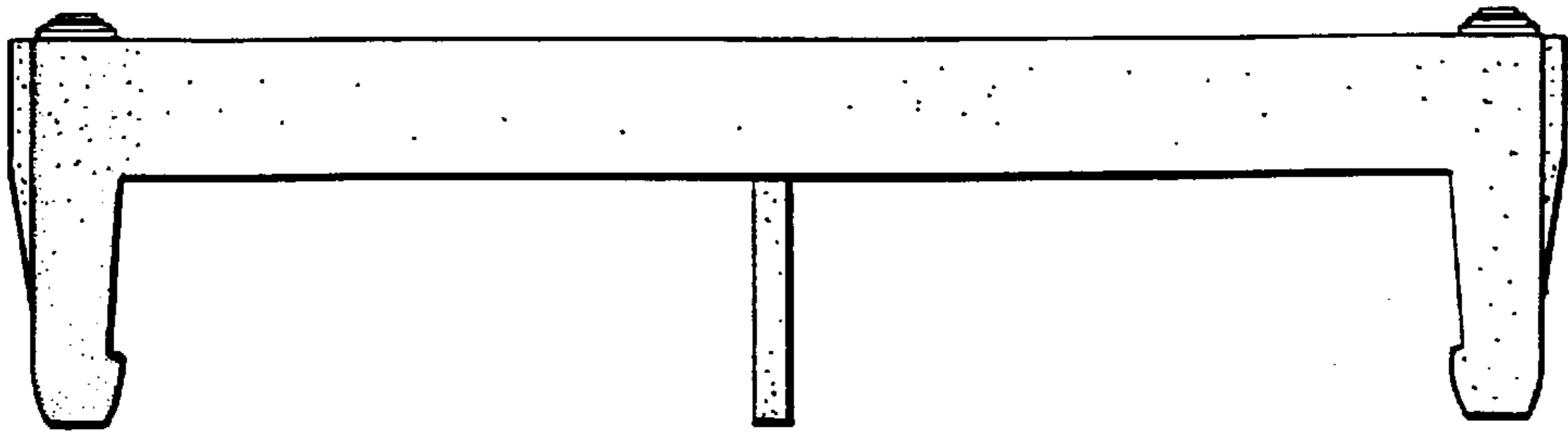


FIG. 2

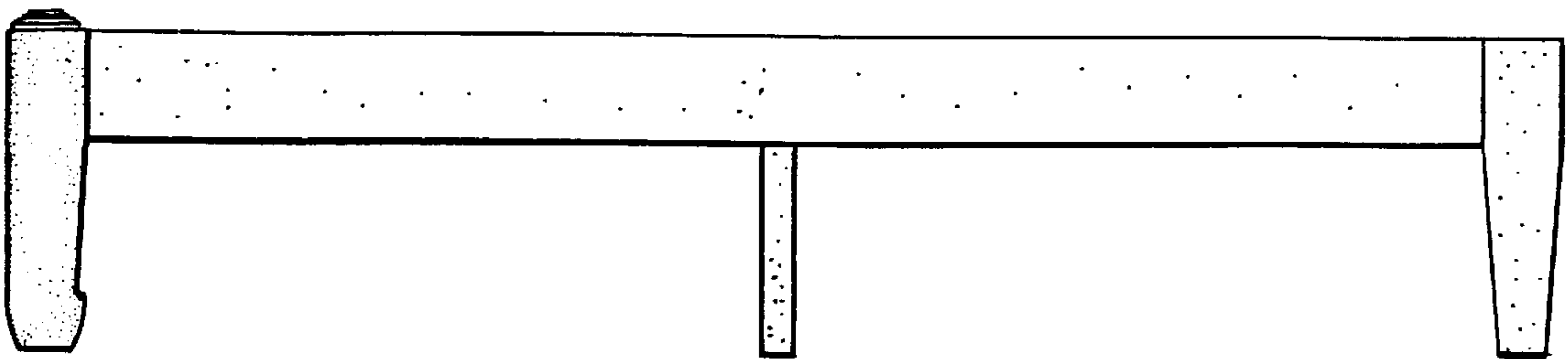


FIG. 3

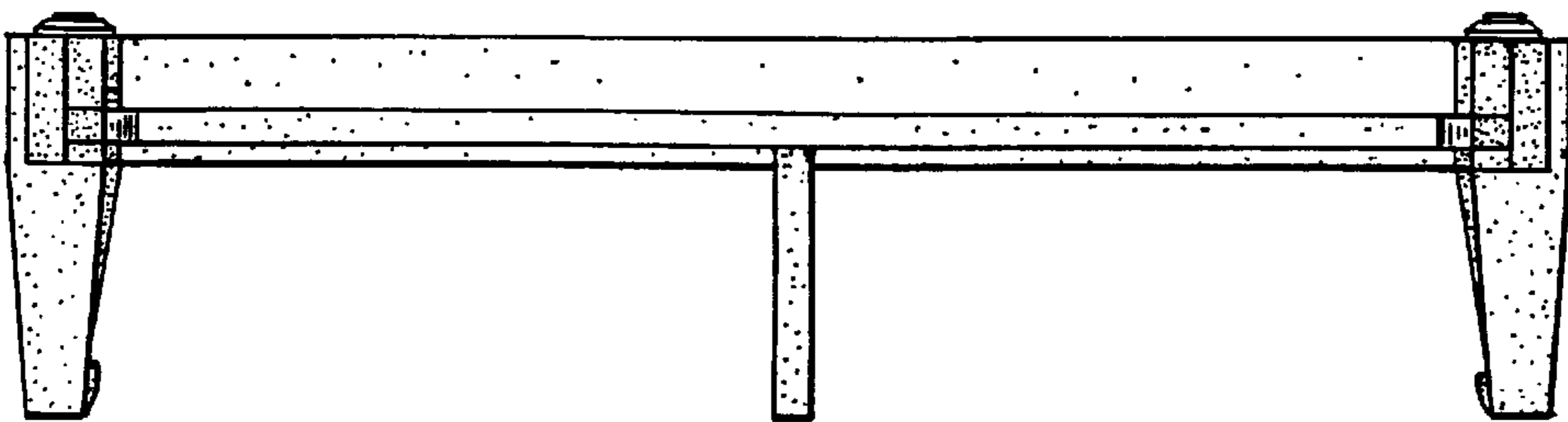


FIG. 5

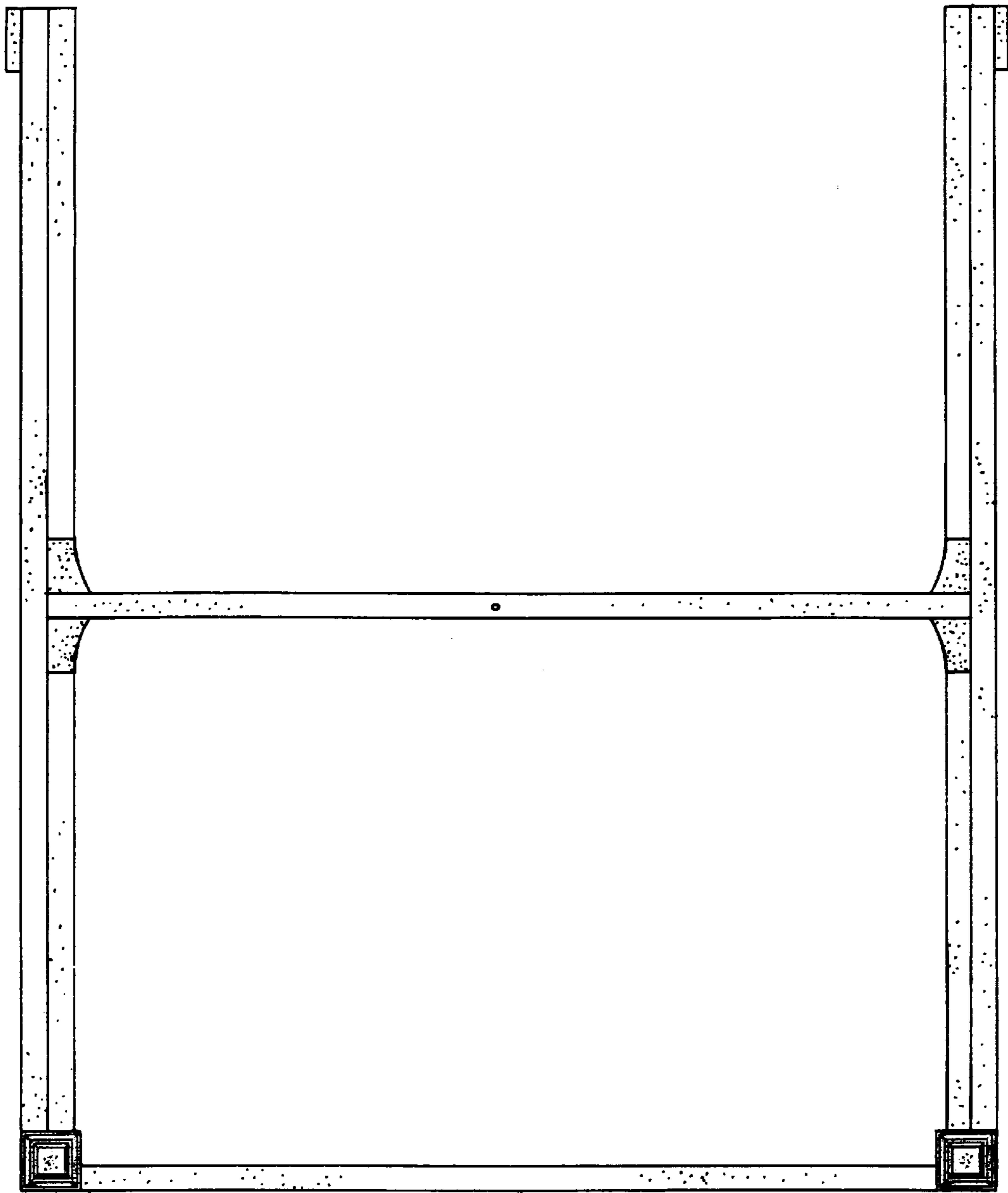


FIG. 4