



US00D426715S

**United States Patent** [19]  
**Smith et al.**

[11] **Patent Number: Des. 426,715**  
[45] **Date of Patent: \*\* Jun. 20, 2000**

[54] **MEDICAL CHAIR**

[75] Inventors: **Neil Smith**, Hanover; **Ron Webb**, Red Lion, both of Pa.

[73] Assignee: **Reliance Medical Products, Inc.**, Mason, Ohio

[\*\*] Term: **14 Years**

[21] Appl. No.: **29/107,140**

[22] Filed: **Jun. 28, 1999**

[51] **LOC (7) Cl.** ..... **06-01**

[52] **U.S. Cl.** ..... **D6/367**

[58] **Field of Search** ..... D6/334, 335, 336,  
D6/360, 361, 367, 368, 379, 500, 501,  
502; 297/68, 84, 85, 188.1, 250.1, 330.1,  
452.16, 452.48, 452.62

[56] **References Cited**

**U.S. PATENT DOCUMENTS**

D. 302,079	7/1989	Goldman	.....	D6/367
D. 321,097	10/1991	Jones et al.	.....	D6/360
D. 354,176	1/1995	Schwaegerle et al.	.....	D6/360
D. 354,177	1/1995	Schwaegerle et al.	.....	D6/360
D. 379,409	5/1997	Schwaegerle et al.	.....	D6/367
D. 397,259	8/1998	Chatani et al.	.....	D6/367
5,645,313	7/1997	Best et al.	.....	297/84

**OTHER PUBLICATIONS**

Topcon Omni Systems Inc., *Signature Series Model 2200*, Brochure undated.

Topcon Omni Systems Inc., *Signature Series Model 2300*, Brochure undated.

Topcon Omni Systems Inc., *Signature Series Model 2100*, Brochure, 1998.

*Primary Examiner*—Doris V. Coles

*Assistant Examiner*—Mimosa De

*Attorney, Agent, or Firm*—Wood, Herron & Evans, L.L.P.

[57] **CLAIM**

The ornamental design for a medical chair, as shown and described.

**DESCRIPTION**

FIG. 1 is a perspective view of the invention in the form of a medical chair;

FIG. 2 is a left side elevational view thereof with the right side being a mirror image of the left side;

FIG. 3 is a front elevational view thereof;

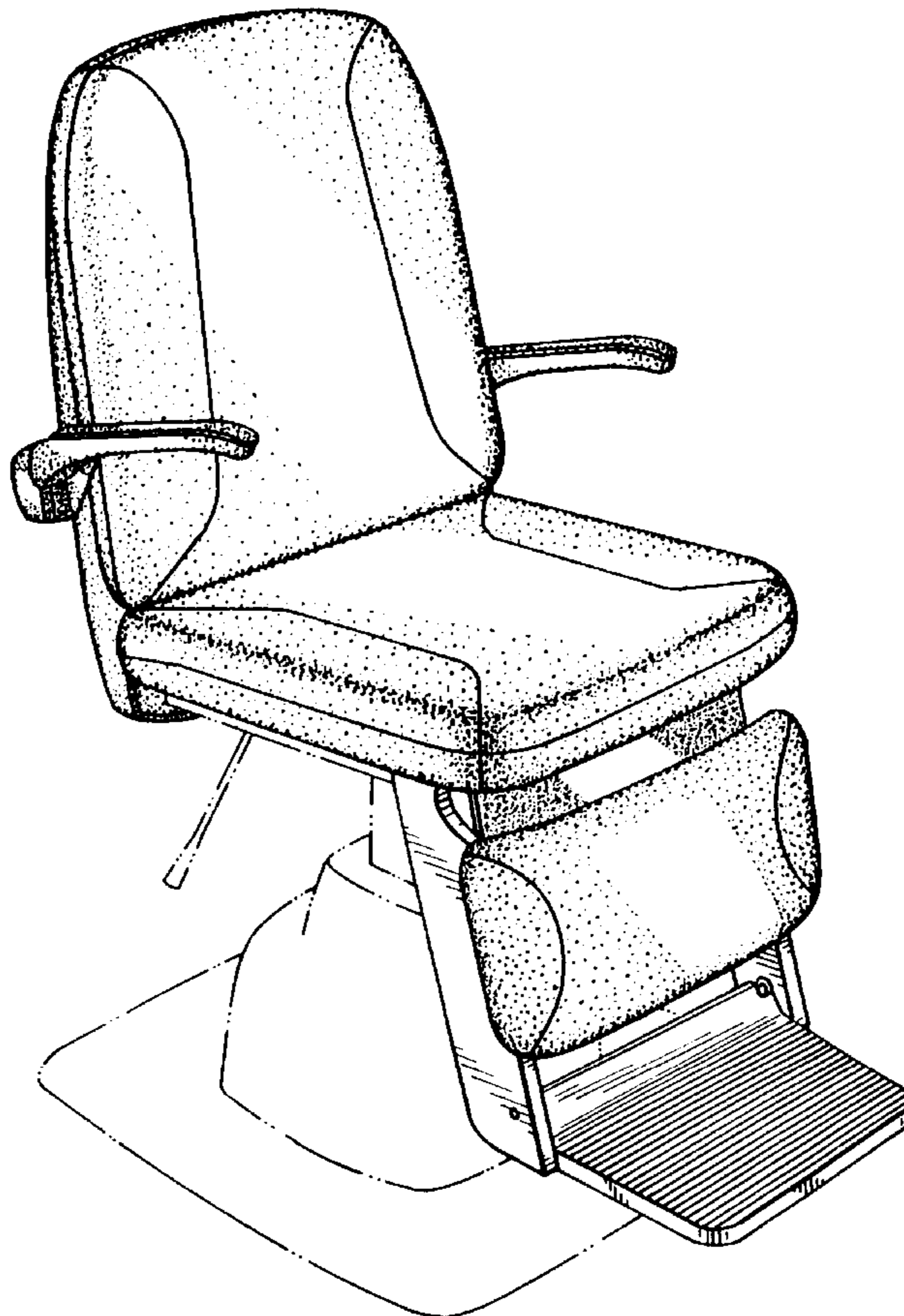
FIG. 4 is a top plan view thereof;

FIG. 5 is a rear view thereof; and,

FIG. 6 is a bottom view thereof.

The elements shown in phantom lines are for environmental purposes and do not form part of the claimed design.

**1 Claim, 3 Drawing Sheets**



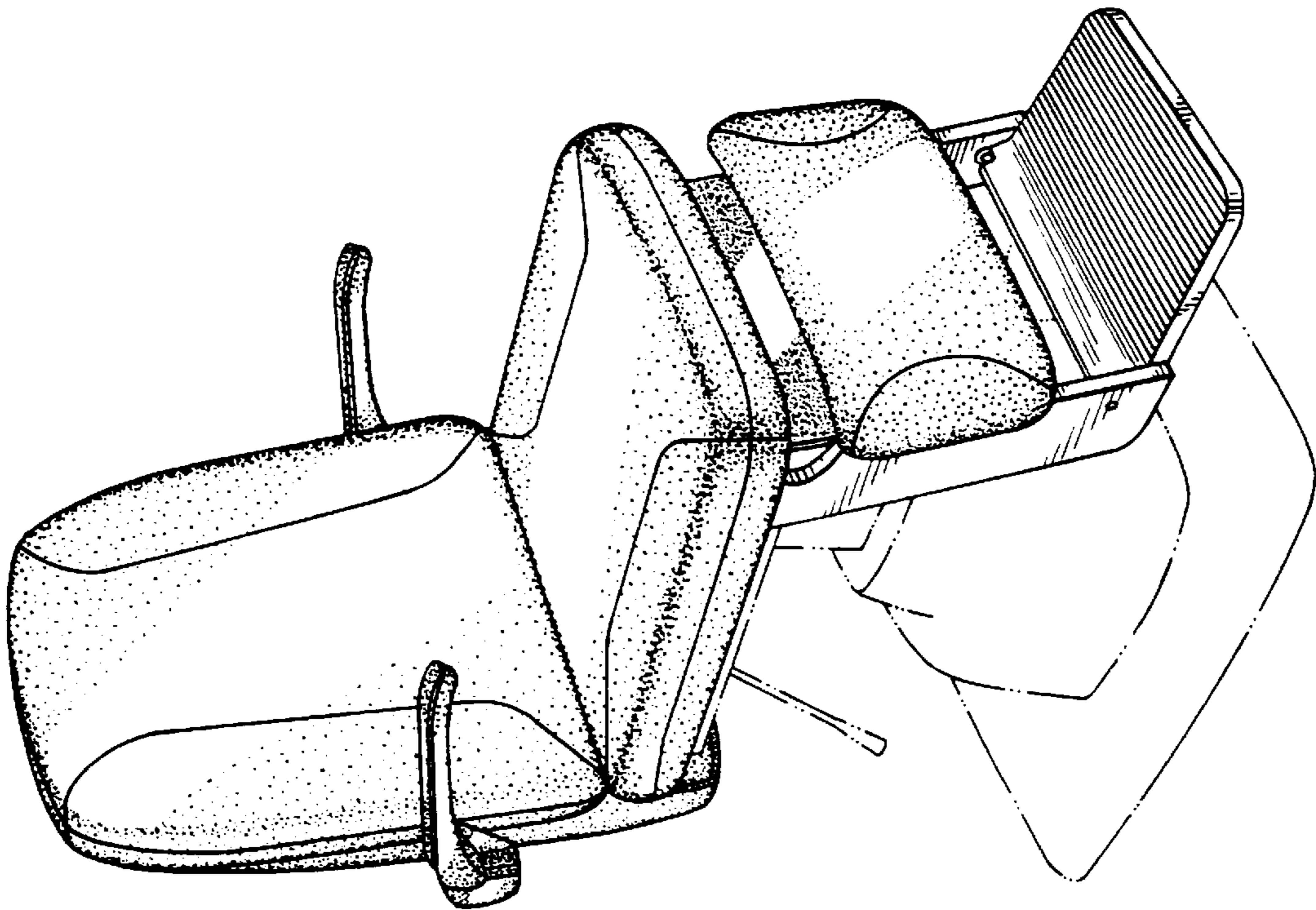


FIG. 1

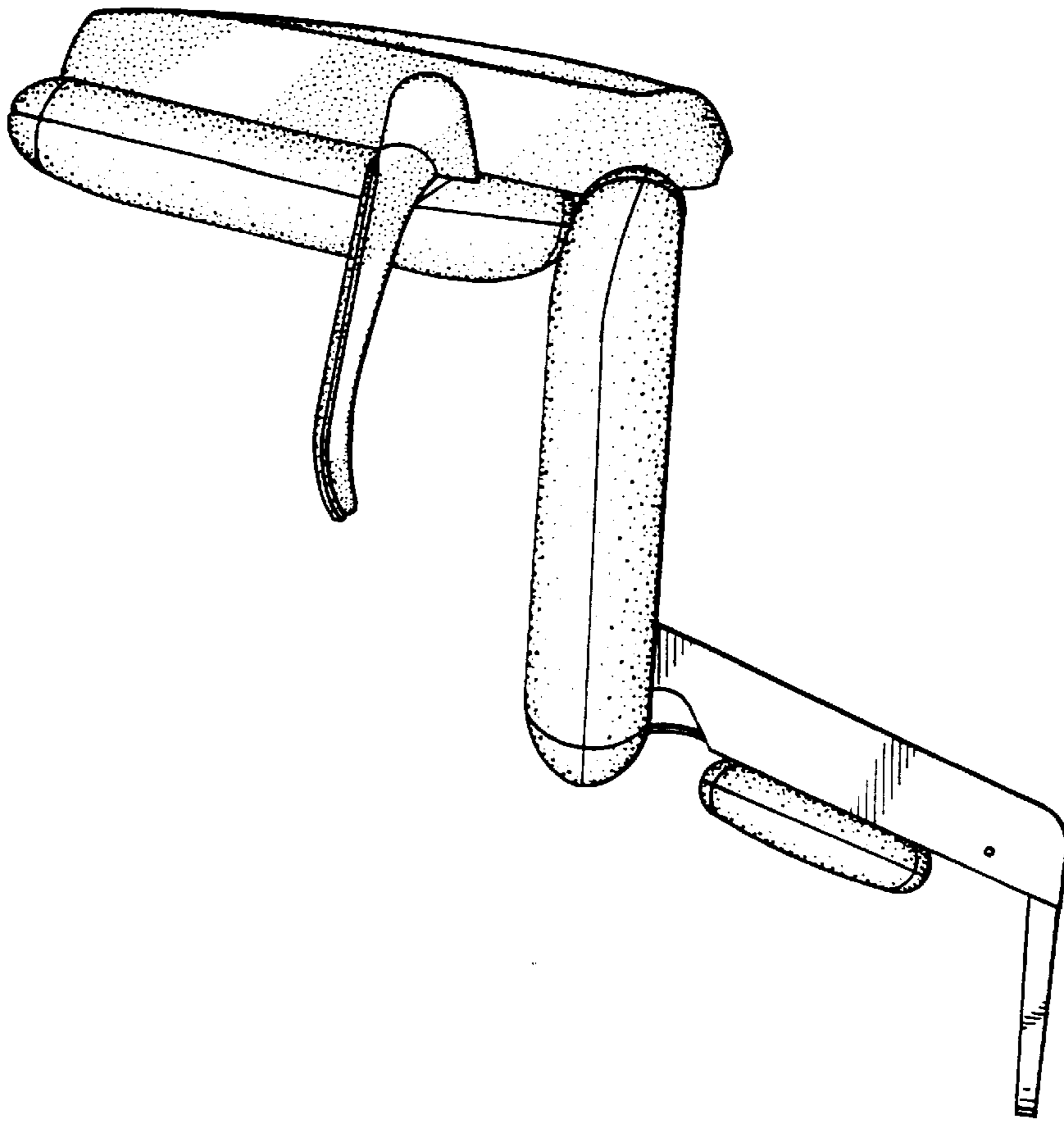


FIG. 2

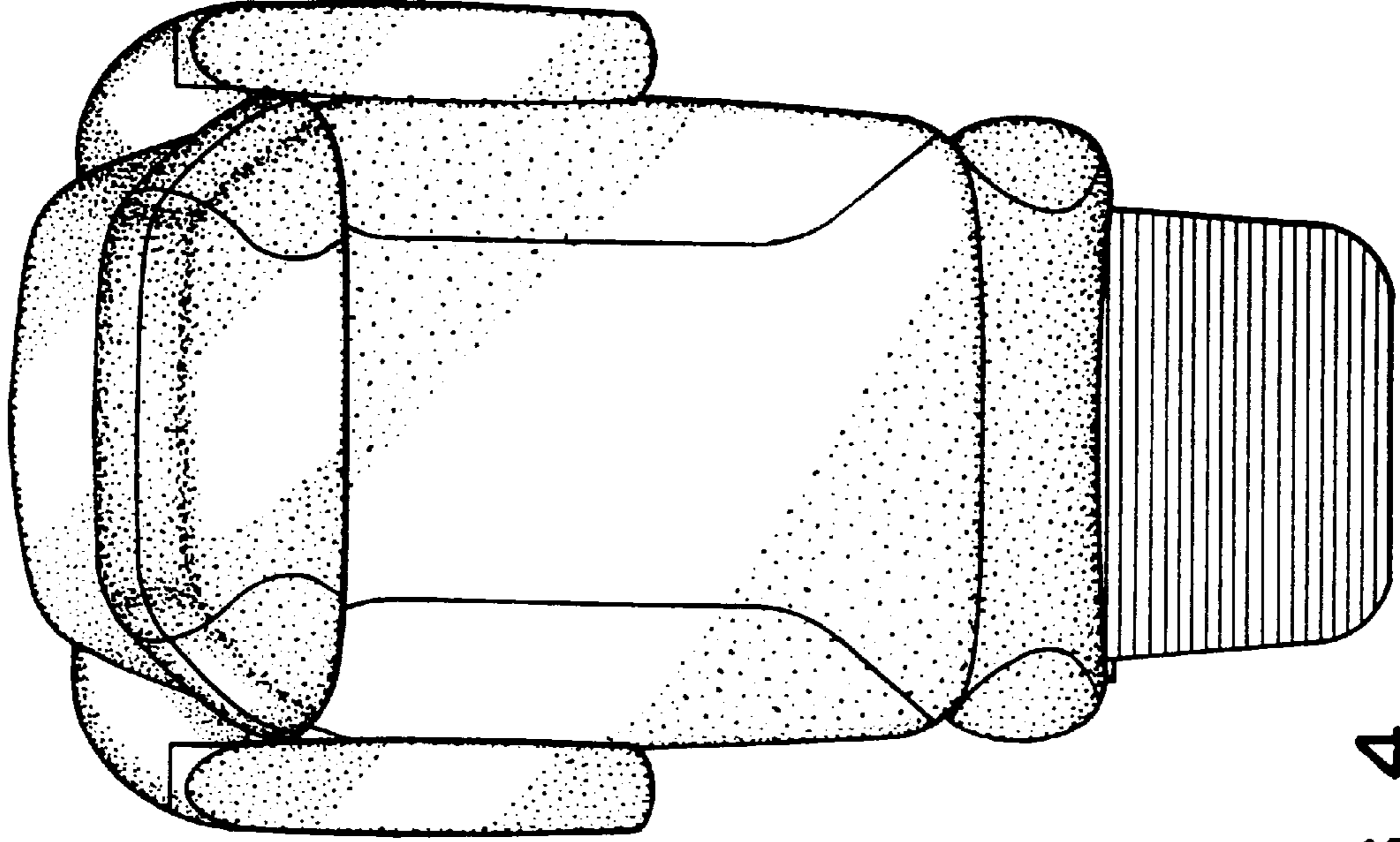


FIG. 4

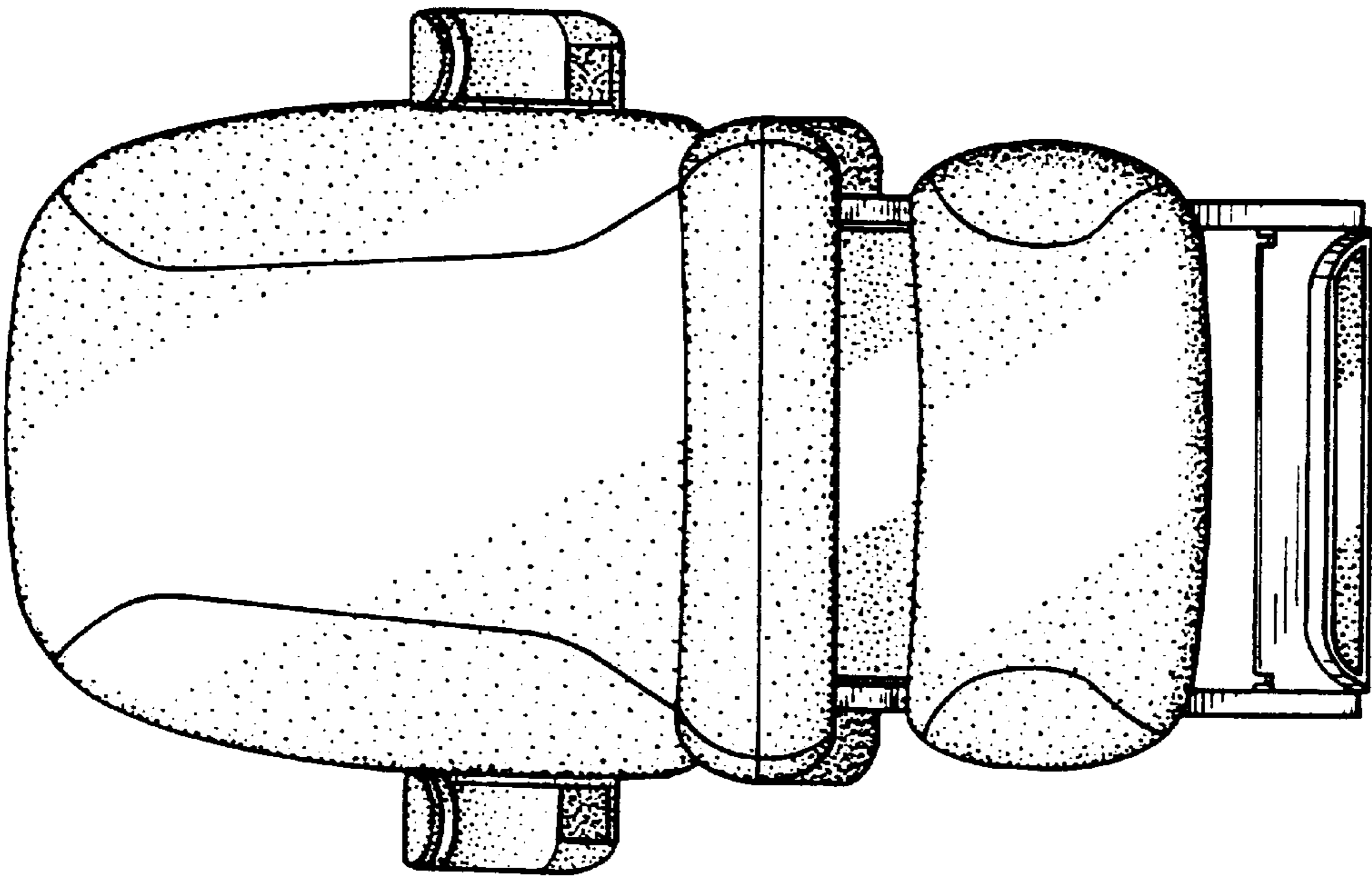


FIG. 3

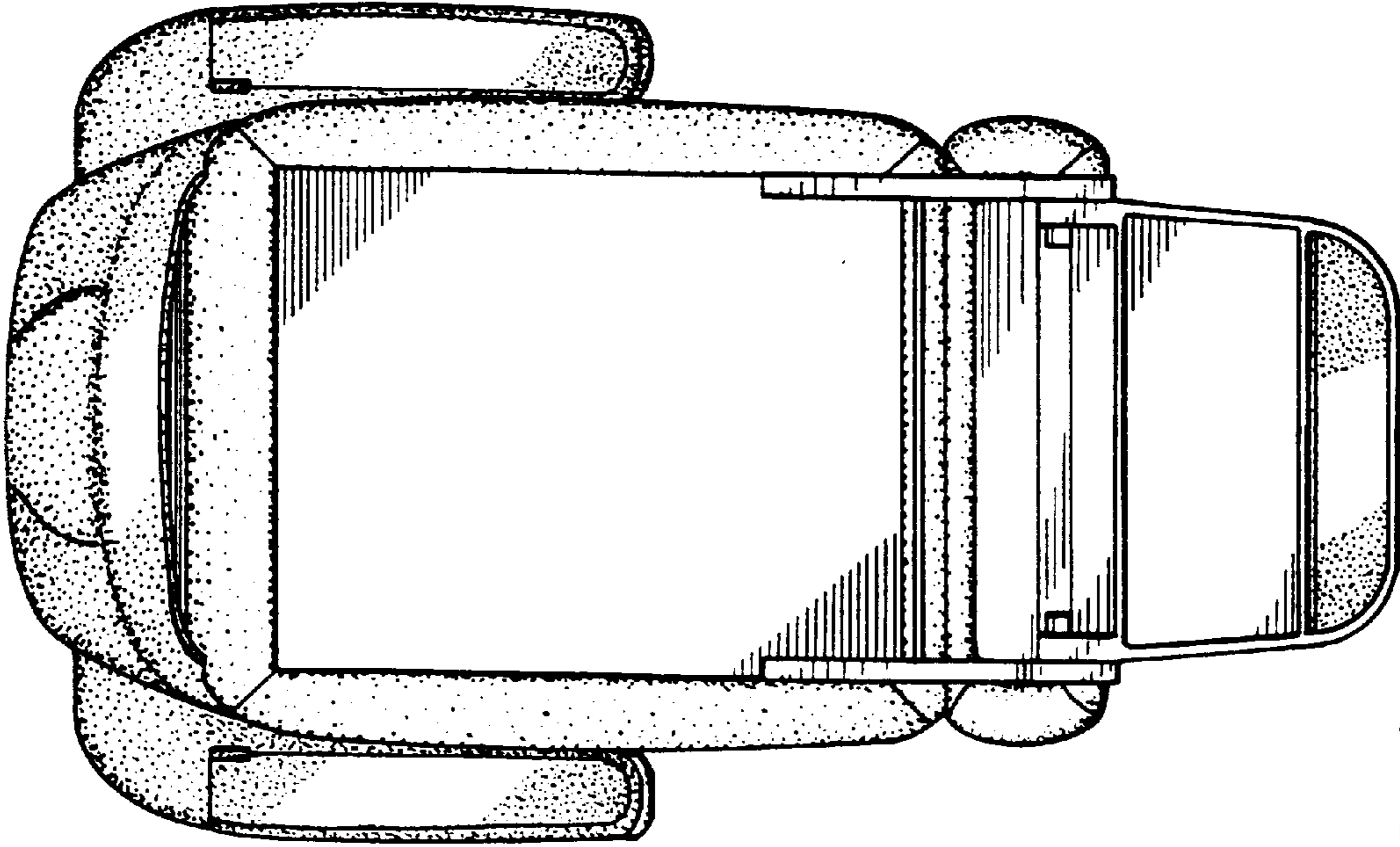


FIG. 6

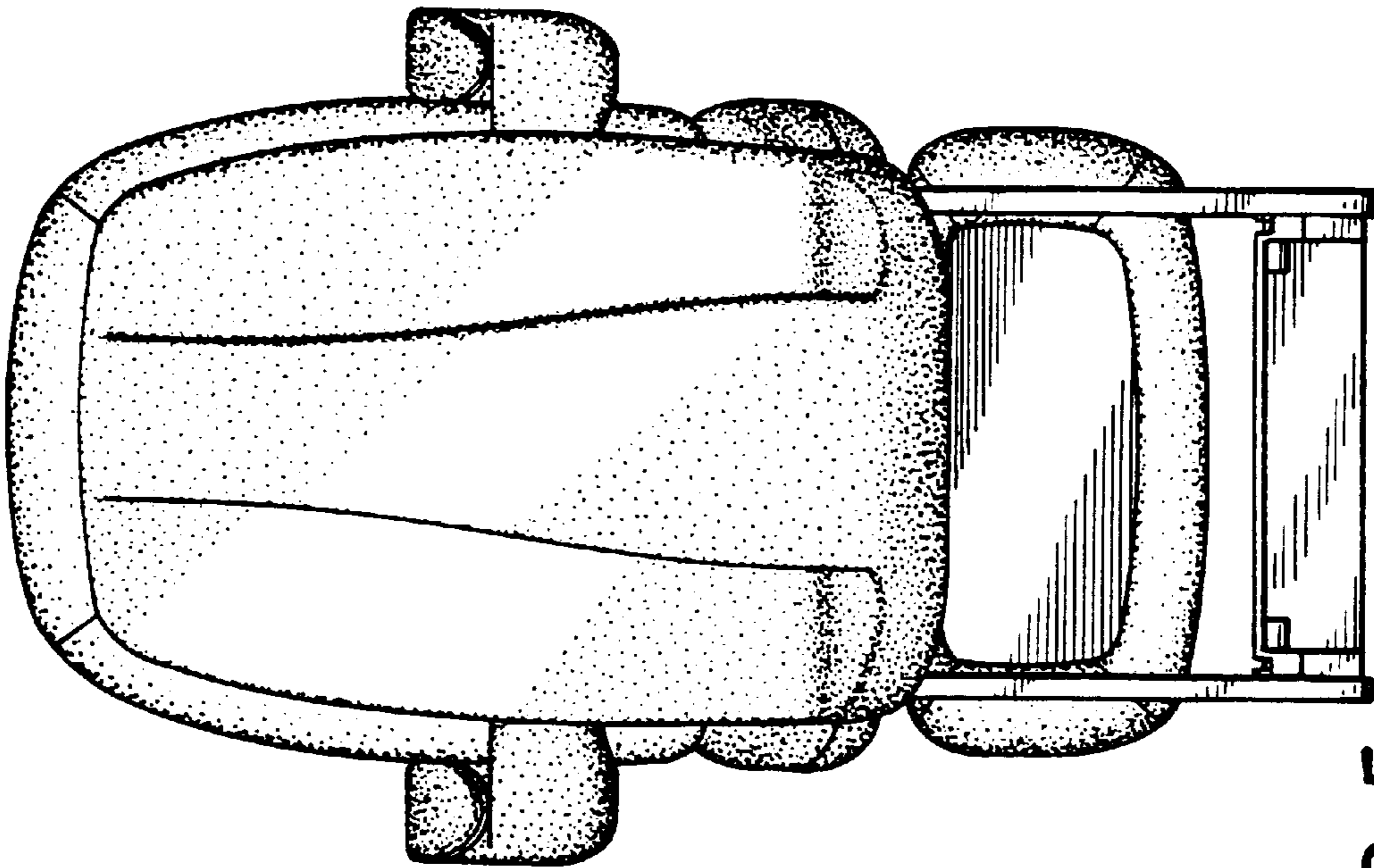


FIG. 5