



US00D426712S

# United States Patent [19]

Leon

[11] **Patent Number: Des. 426,712**

[45] **Date of Patent: \*\* Jun. 20, 2000**

[54] **BABY FIGURINE PHOTOGRAPH HOLDER**

[75] Inventor: **Ernesto Alberto Leon**, Alhambra, Calif.

[73] Assignee: **CBS Designs, Inc.**, Framingham, Mass.

[\*\*] Term: **14 Years**

[21] Appl. No.: **29/110,984**

[22] Filed: **Sep. 16, 1999**

[51] **LOC (7) Cl.** ..... **06-07**

[52] **U.S. Cl.** ..... **D6/305; D21/625**

[58] **Field of Search** ..... D6/300-314; D20/29, D20/30, 31, 23-25, 32, 33; D11/133, 136; 40/700, 711, 734, 735, 738, 765, 790, 798; D21/621, 625

[56] **References Cited**

**U.S. PATENT DOCUMENTS**

- D. 61,022 5/1922 Sharp ..... D21/625
- D. 131,540 3/1942 Phillips ..... D21/621

- D. 348,293 6/1994 Hodge ..... D21/630
- D. 402,716 12/1998 Marshall ..... D21/625
- D. 403,514 1/1999 Beaumont ..... D6/305
- D. 419,309 1/2000 Leon ..... D6/305

*Primary Examiner*—Janice E. Seeger  
*Attorney, Agent, or Firm*—Niels, Lemack & Dingman;  
Brian M. Dingman

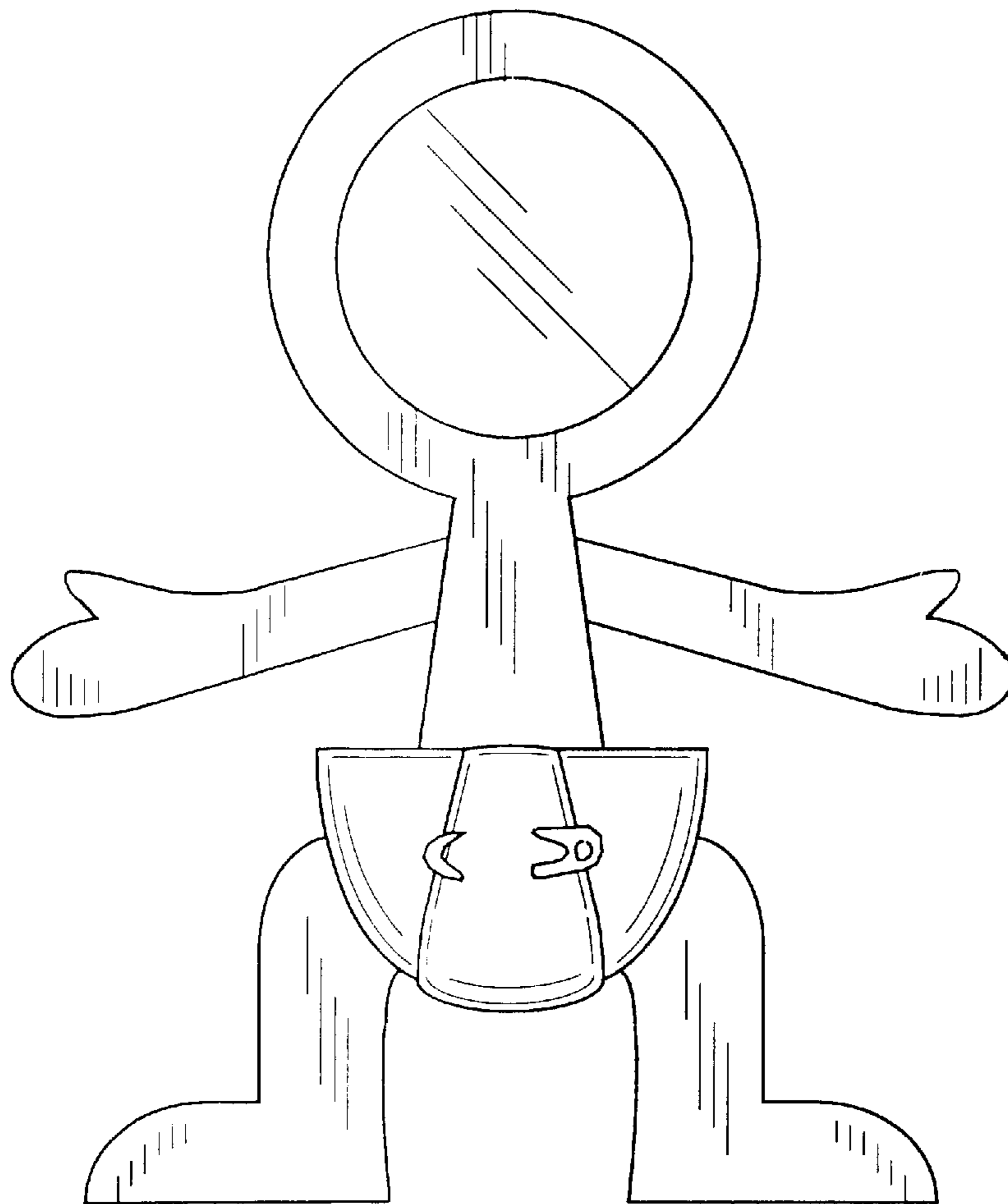
[57] **CLAIM**

The ornamental design for a baby figurine photograph holder, as shown and described.

**DESCRIPTION**

FIG. 1 is a front elevational view of a baby figurine photograph holder in accordance with my new design; FIG. 2 is a rear elevational view thereof; FIG. 3 is a bottom plan view thereof; FIG. 4 is a top plan view thereof; and, FIG. 5 is a right side elevational view thereof, the left side elevational view being a mirror image of the right view shown.

**1 Claim, 2 Drawing Sheets**



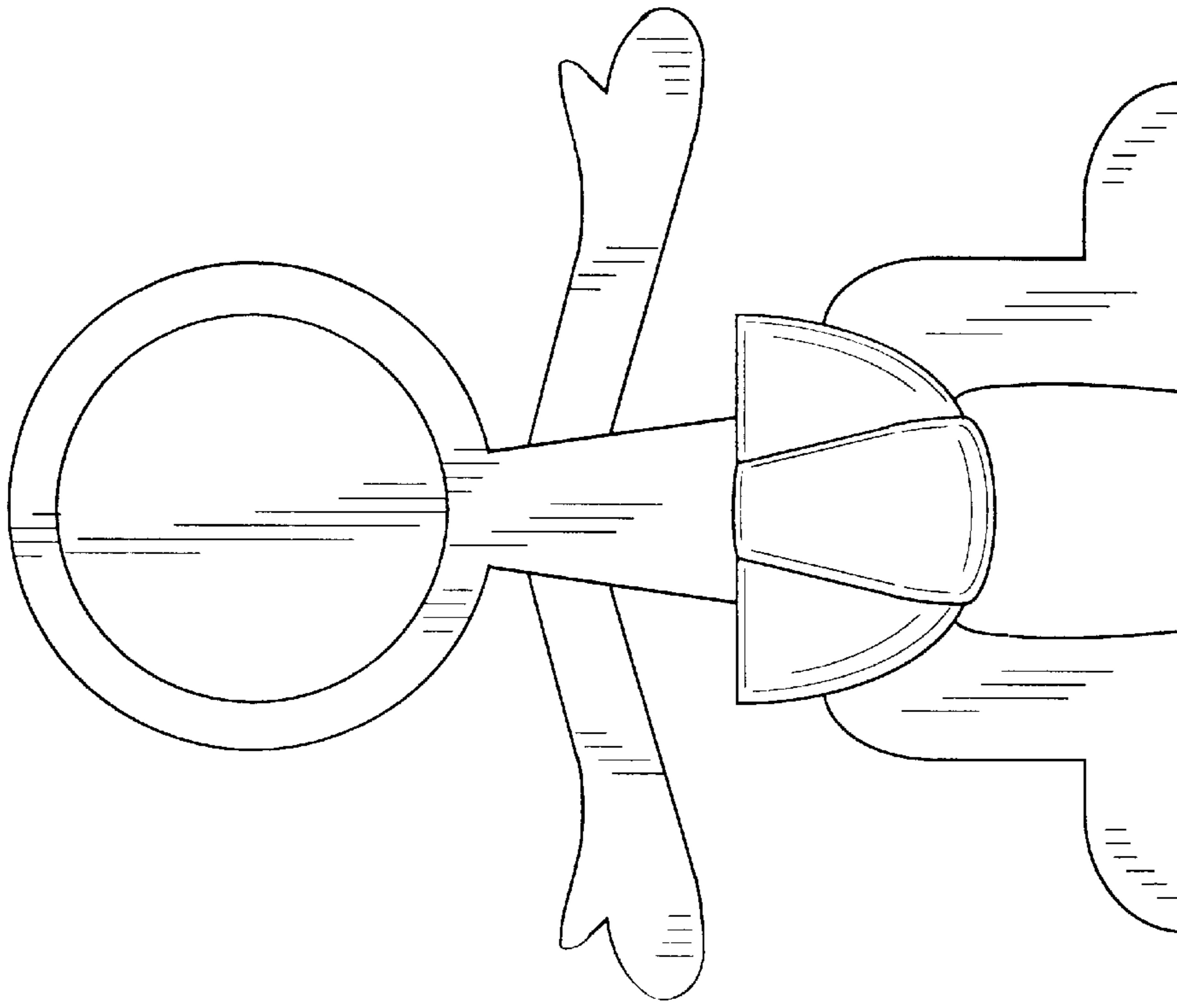


FIG. 2

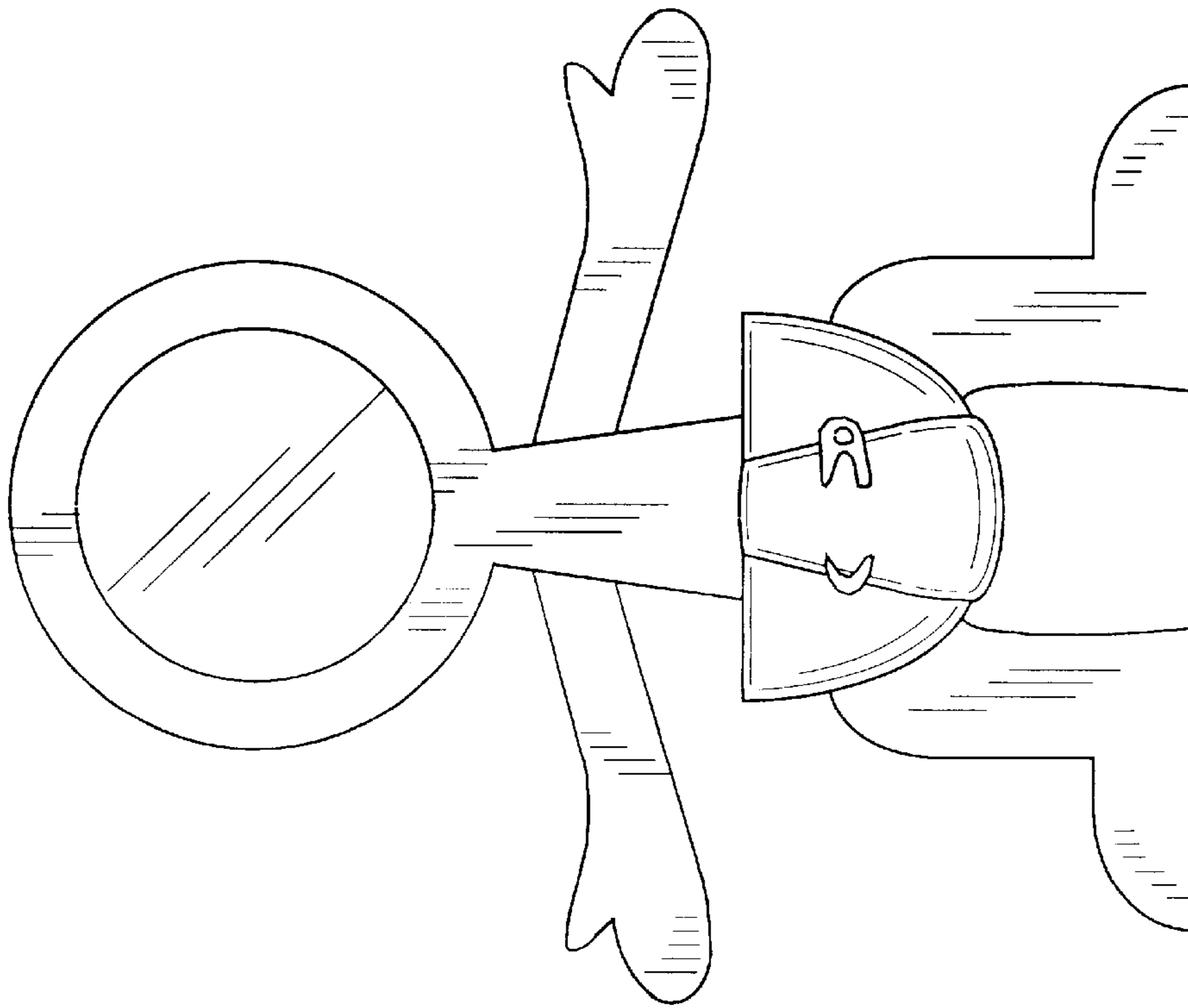


FIG. 1

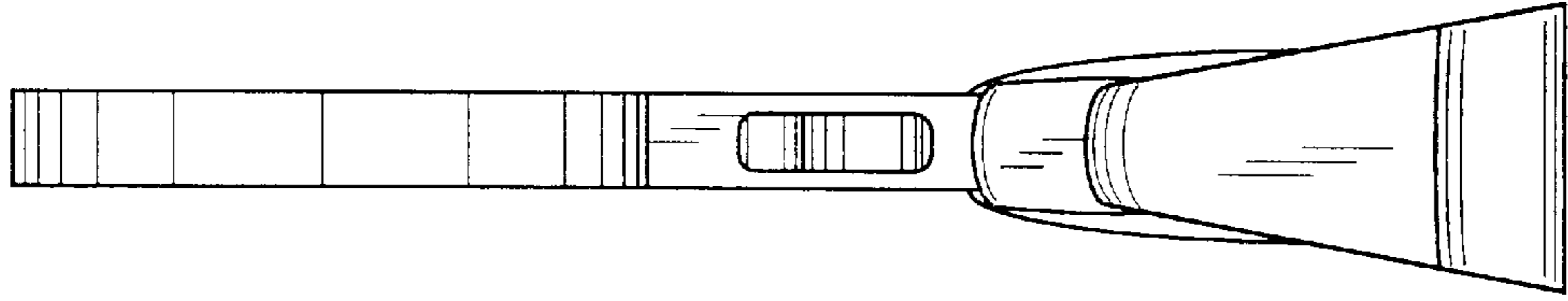


FIG. 5

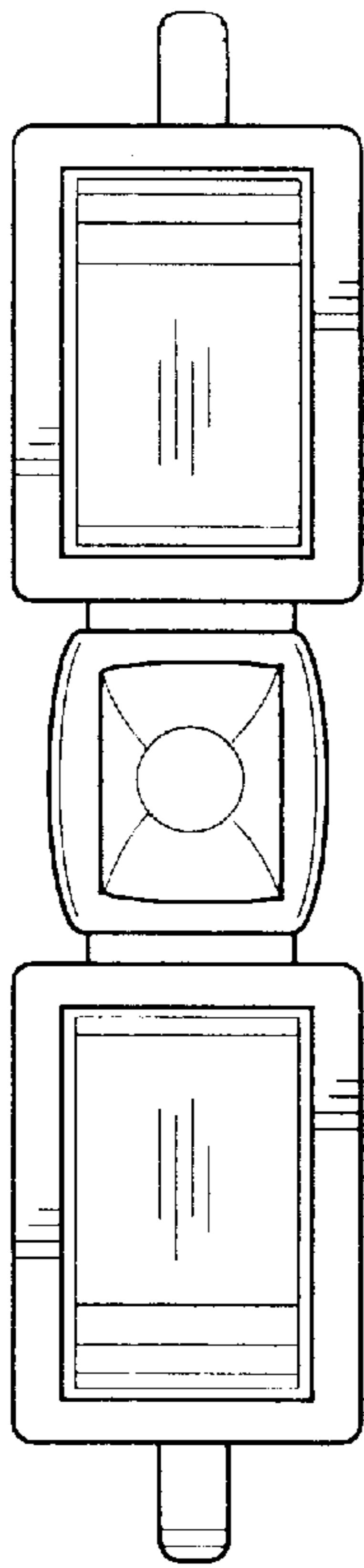


FIG. 3

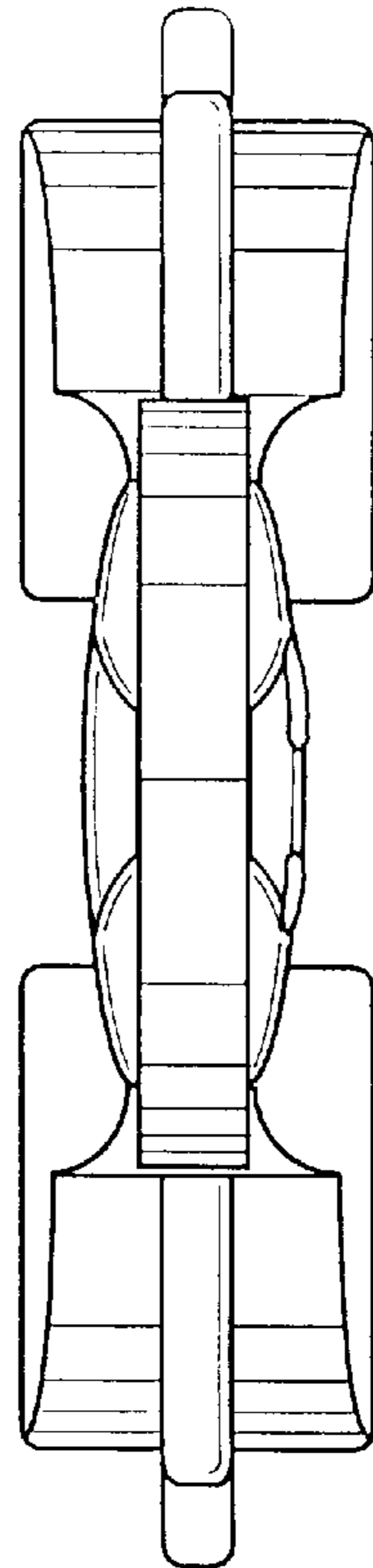


FIG. 4