



US00D426711S

United States Patent [19]

[11] **Patent Number: Des. 426,711**

Kacius

[45] **Date of Patent: ** Jun. 20, 2000**

[54] **PHOTOGRAPH CABINET**

[75] Inventor: **Timothy A. Kacius**, Torrance, Calif.

[73] Assignee: **Tinker's Den, Inc.**, Torrance, Calif.

[**] Term: **14 Years**

[21] Appl. No.: **29/090,865**

[22] Filed: **Jul. 17, 1998**

[51] **LOC (7) Cl.** **06-07**

[52] **U.S. Cl.** **D6/301**

[58] **Field of Search** D6/300-302, 309-314;
40/700, 711, 719, 720, 722, 729, 735, 745,
765, 768, 769, 780, 790, 798, 799, 800,
779

[56] **References Cited**

U.S. PATENT DOCUMENTS

D. 256,810	9/1980	Coleman	D20/10
D. 271,361	11/1983	Le	D6/301
D. 272,791	2/1984	Brobakken	D6/301
D. 390,010	2/1998	Fry	D6/302
D. 391,406	3/1998	Field	D6/302
3,079,771	3/1963	Donle	.	

Primary Examiner—Janice E. Seeger
Attorney, Agent, or Firm—Mark R. Galis

[57] **CLAIM**

The ornamental design for an photograph cabinet, as shown and described.

DESCRIPTION

FIG. 1 is a front elevational view of a photograph cabinet showing the first embodiment of our new design; FIG. 2 is a rear elevational view of the cabinet shown in FIG. 1; FIG. 3 is a top plan view of the cabinet shown in FIG. 1; FIG. 4 is a bottom plan view of the cabinet shown in FIG. 1; FIG. 5 is a left side view of the cabinet shown in FIG. 1; FIG. 6 is a right side view of the cabinet shown in FIG. 1; FIG. 7 is a perspective view of the interior of the cabinet of FIG. 1. The cabinet is opened periodically when it is used; FIG. 8 is a front elevational view of a photograph cabinet showing the second embodiment of our new design; and, FIG. 9 is a perspective view of the interior of the cabinet of FIG. 8. The cabinet is opened periodically when it is used.

1 Claim, 5 Drawing Sheets

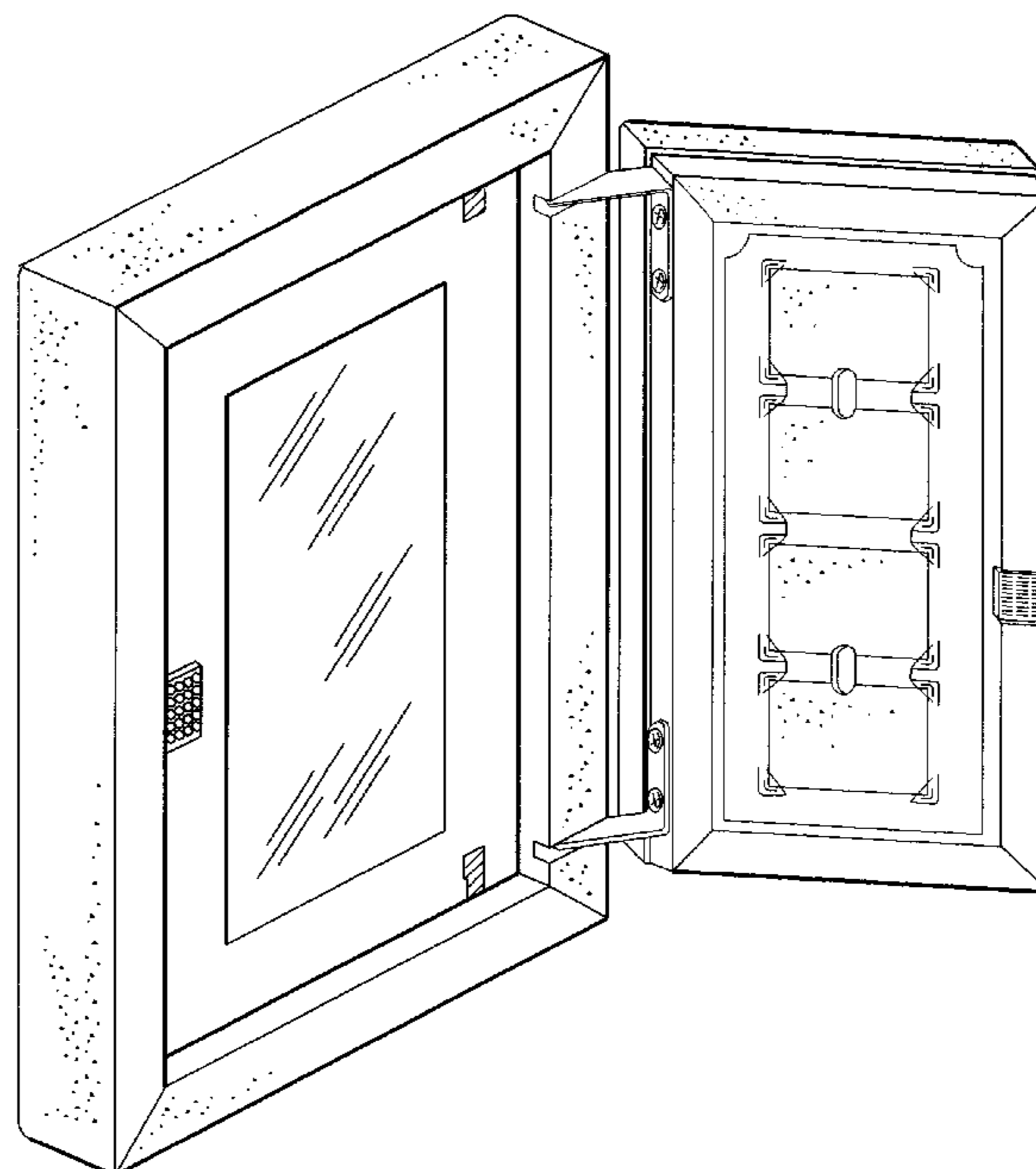
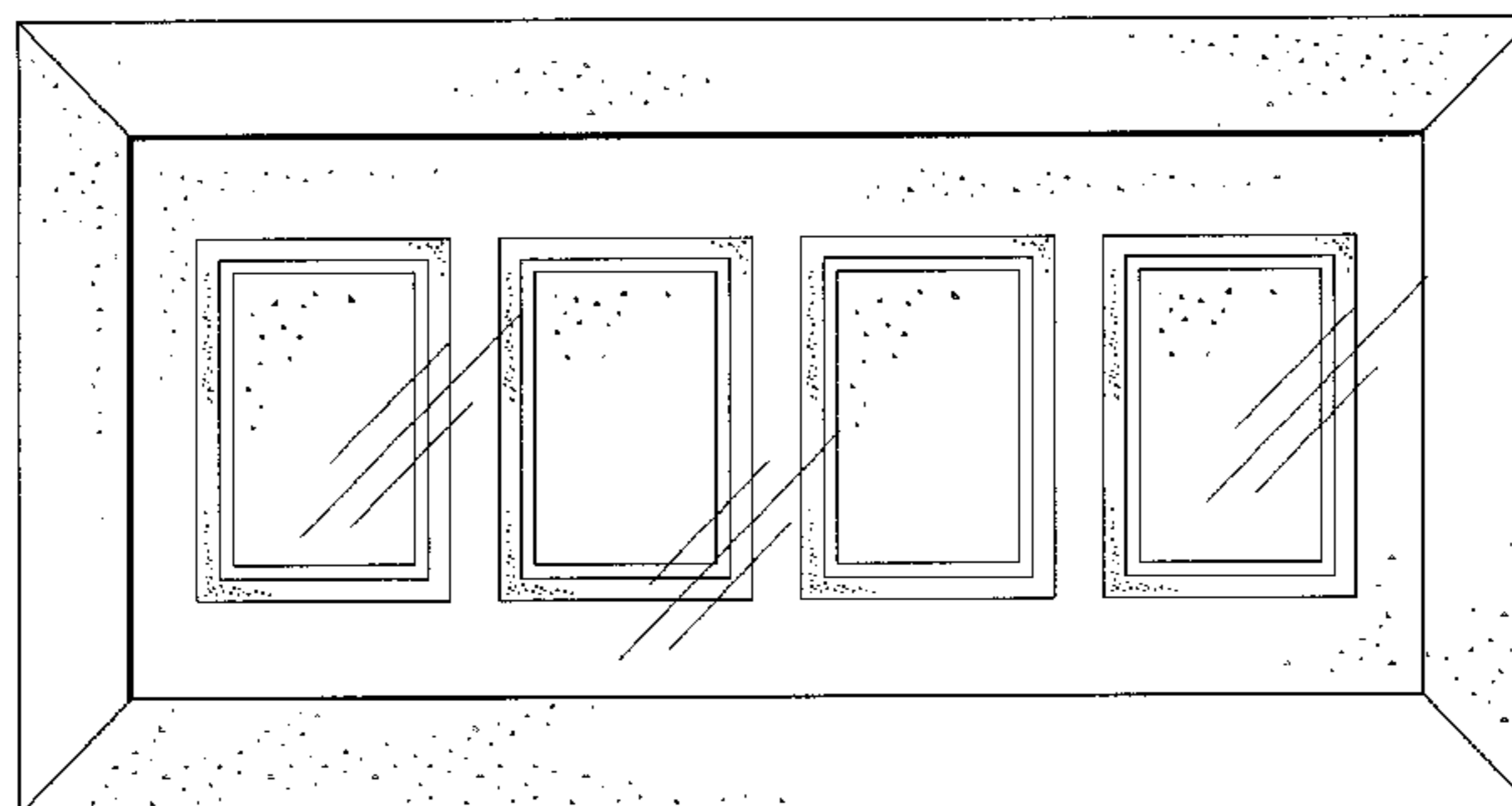


FIG. 1

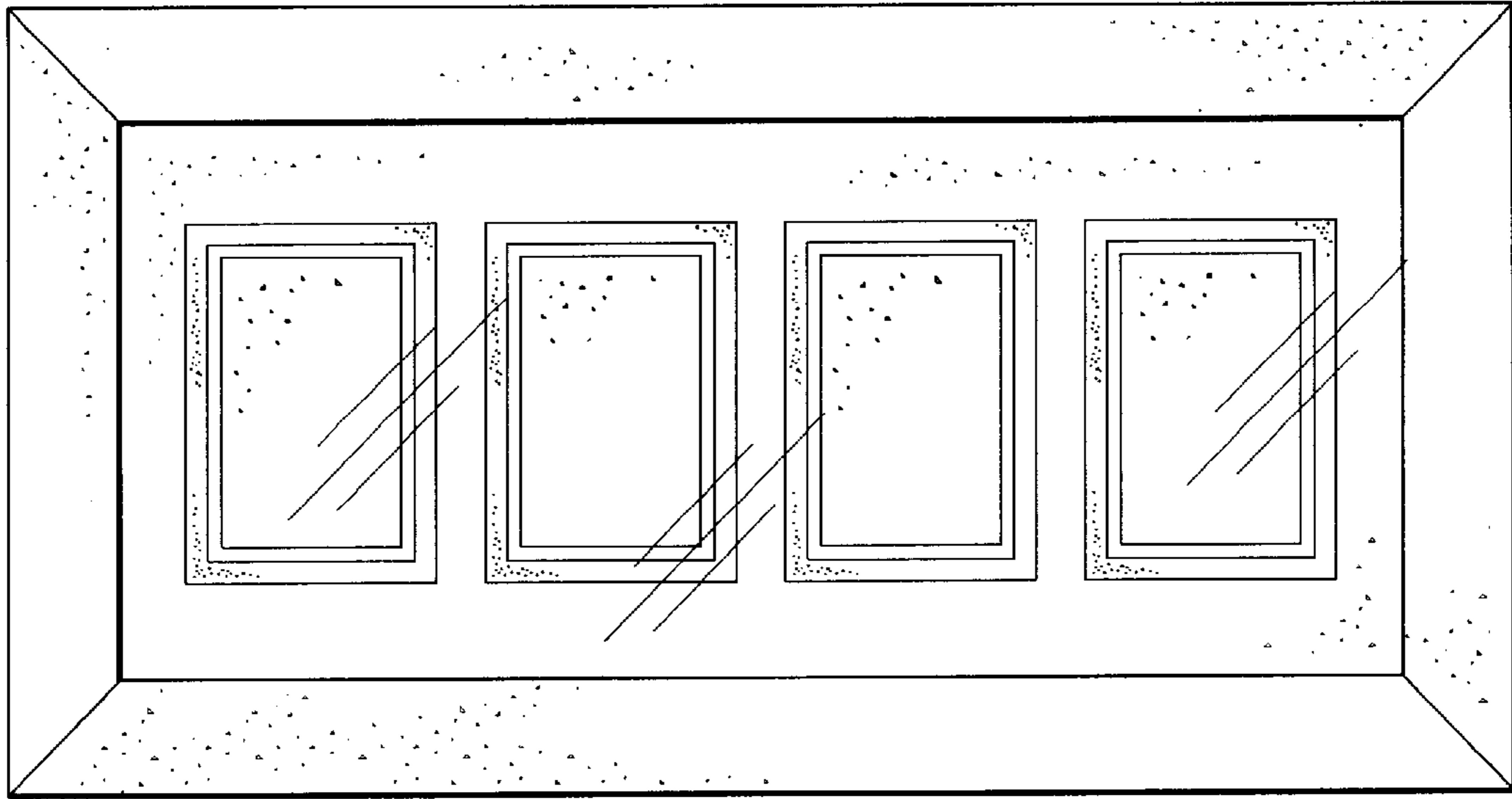


FIG. 2

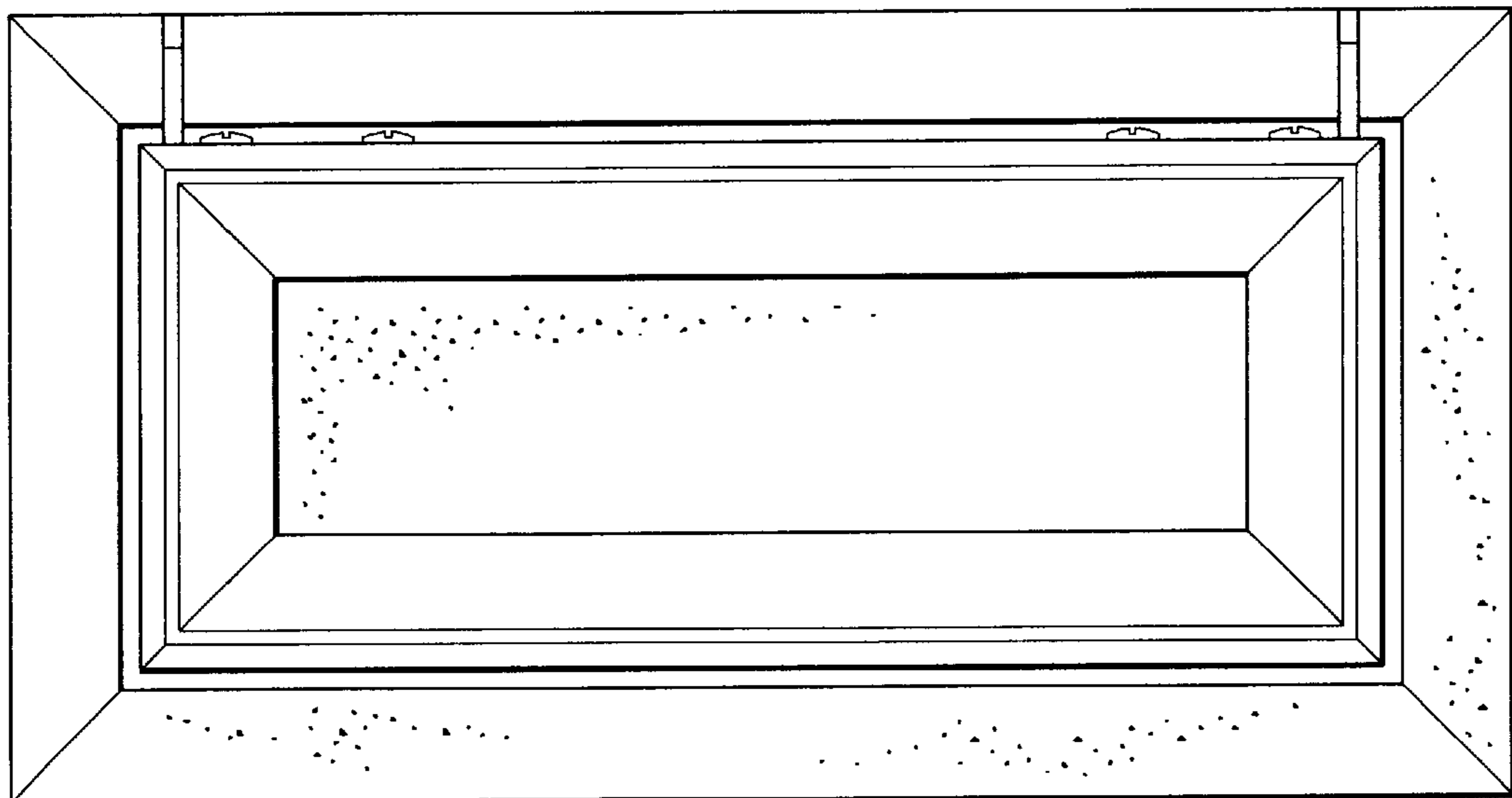


FIG. 3

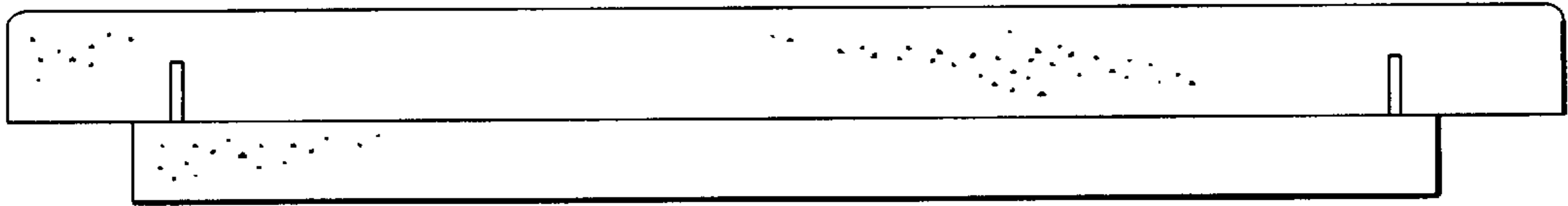


FIG. 4

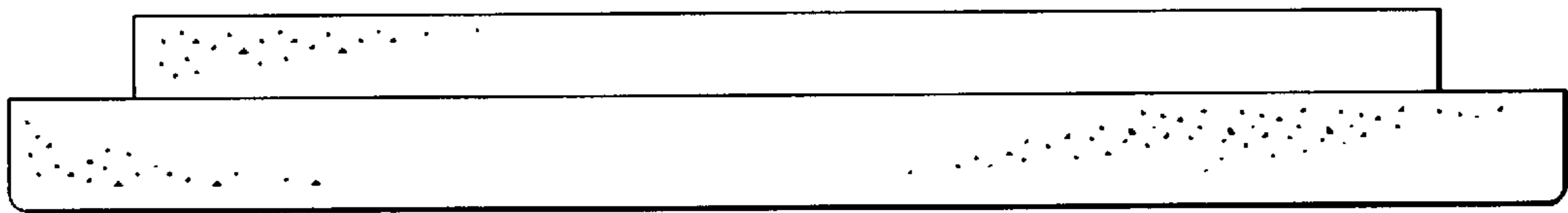


FIG. 5

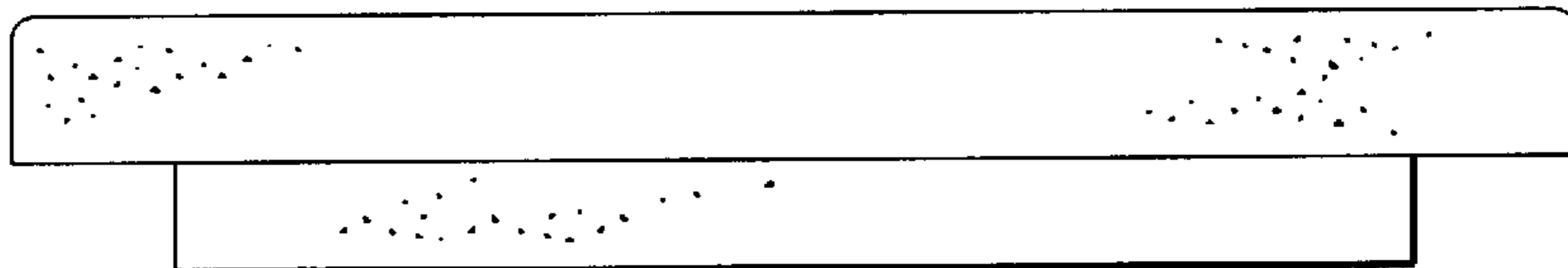


FIG. 6

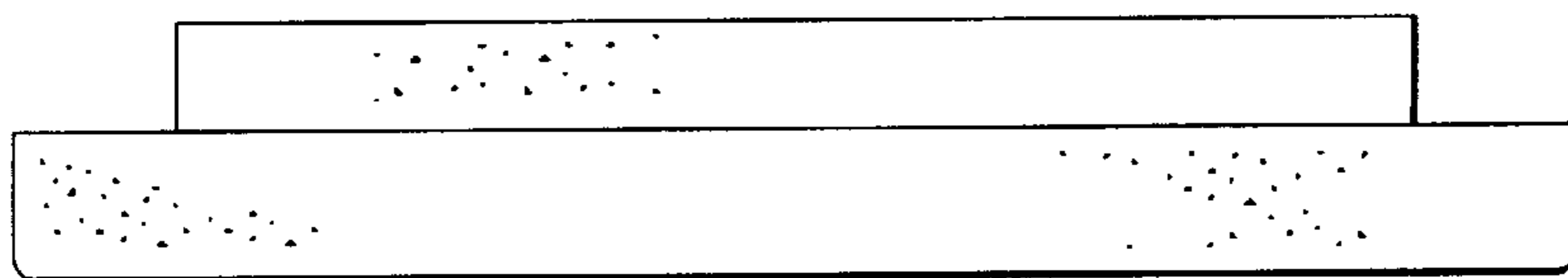


FIG. 7

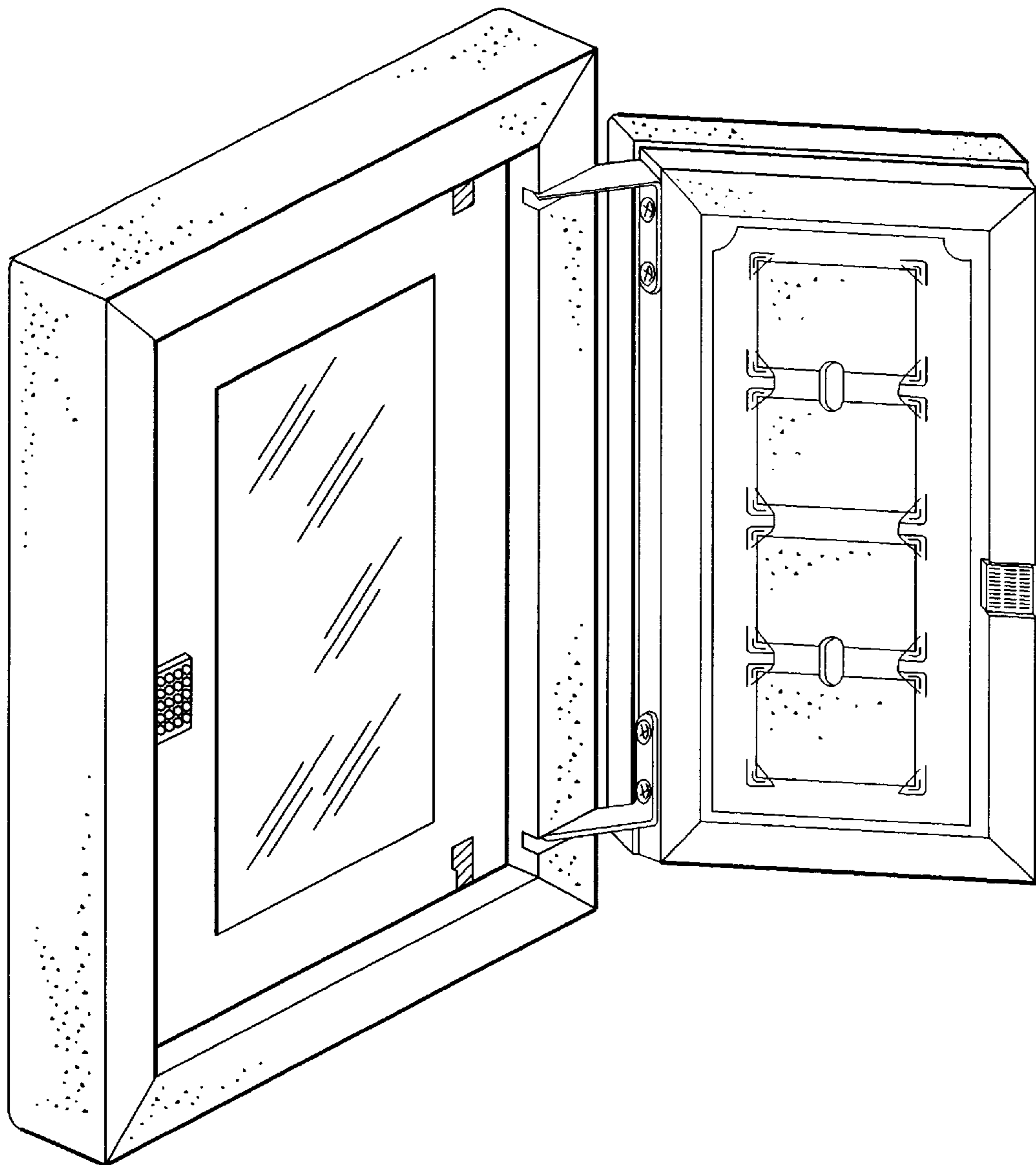


FIG. 8

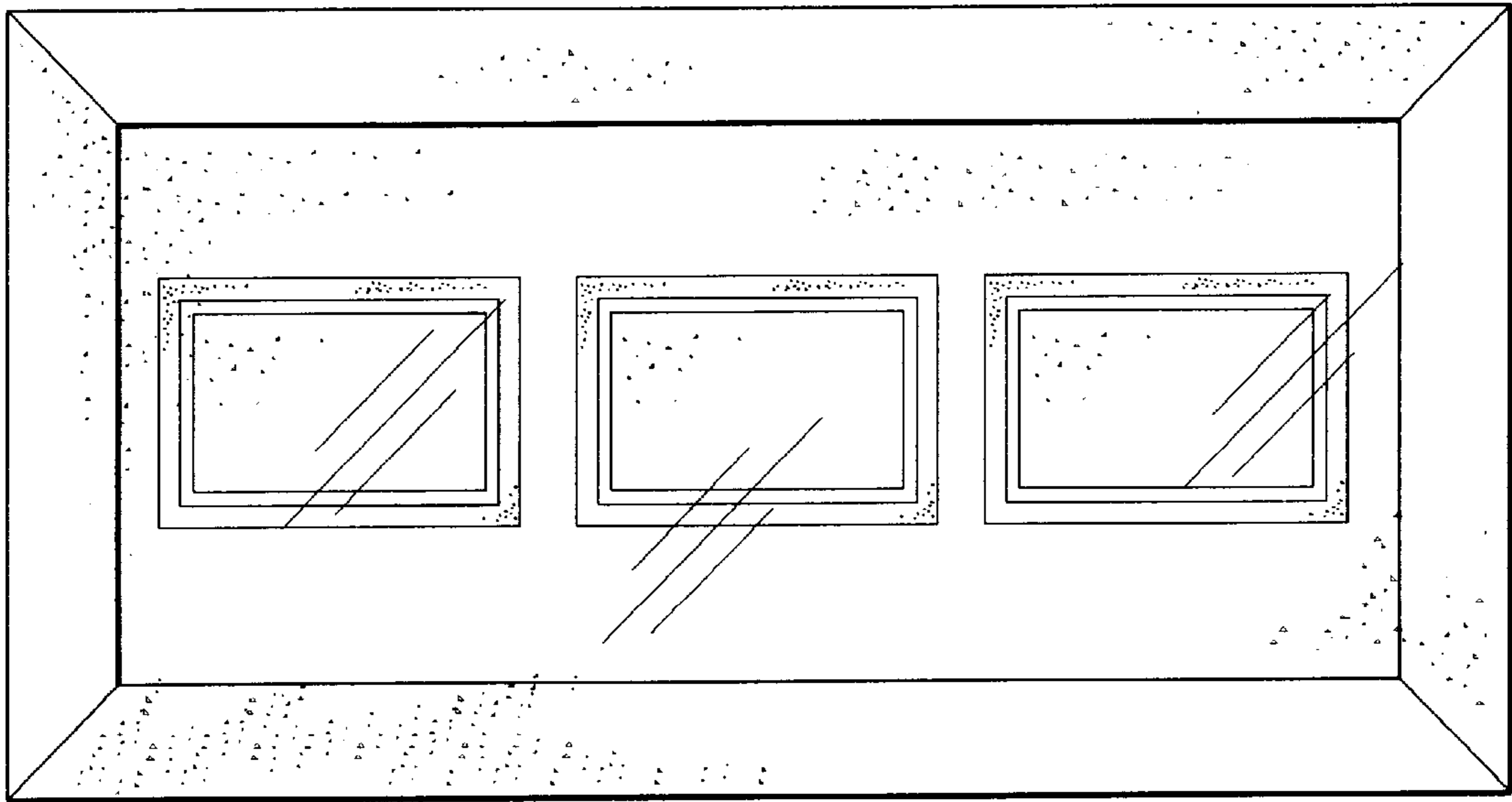


FIG. 9

