



US00D426705S

# United States Patent [19] Fang

[11] Patent Number: **Des. 426,705**

[45] Date of Patent: **\*\* Jun. 20, 2000**

[54] **TOOL BOX**

[76] Inventor: **Zen-Chieh Fang**, P.O. Box 14-414,  
Ban-Chiau, Taipei Hsieh, Taiwan

[\*\*] Term: **14 Years**

[21] Appl. No.: **29/101,289**

[22] Filed: **Feb. 26, 1999**

[51] **LOC (7) Cl.** ..... **03-01**

[52] **U.S. Cl.** ..... **D3/282; D3/276; D3/905**

[58] **Field of Search** ..... D3/272, 273, 276,  
D3/281, 282, 291, 294, 295, 905; 206/349,  
372, 373, 377, 378, 379, 508; 190/110,  
111, 112

[56] **References Cited**

**U.S. PATENT DOCUMENTS**

D. 321,985	12/1991	Ward	.....	D3/905
D. 347,731	6/1994	Hayakawa et al.	.....	D3/282
D. 351,504	10/1994	Tarozzi	.....	D3/282
D. 357,117	4/1995	Huang	.....	D3/282
D. 358,709	5/1995	Chang	.....	D3/282
D. 406,192	3/1999	Schurman	.....	D3/282
4,998,616	3/1991	Hillinger	.....	206/372
5,114,007	5/1992	Chen	.....	206/373
5,145,064	9/1992	Chen	.....	206/372

*Primary Examiner*—Philip S. Hyder  
*Attorney, Agent, or Firm*—A & J

[57] **CLAIM**

The ornamental design for a tool box, as shown and described.

**DESCRIPTION**

FIG. 1 is a front-right-top perspective view of a tool box, showing my new design;

FIG. 2 is a front elevational view thereof;

FIG. 3 is a top plan view thereof;

FIG. 4 is a bottom plan view thereof;

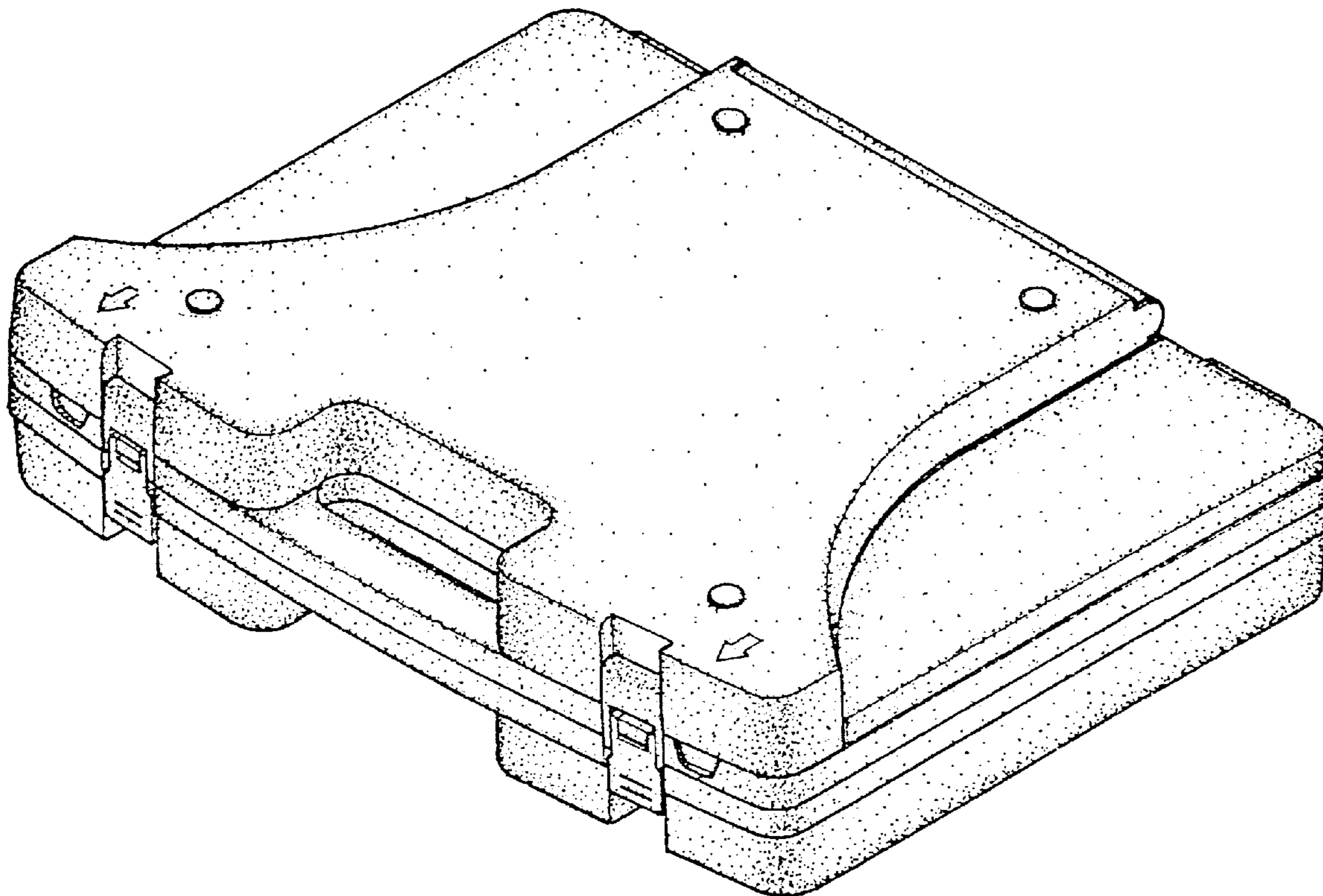
FIG. 5 is a right side view thereof, the left side being a mirror image thereof;

FIG. 6 is a rear elevational view thereof;

FIG. 7 is a perspective view of the tool box of my new design, with the top cover opened, the broken line drawing is for illustrative purposes only and forms no part of the claimed design; and,

FIG. 8 is a perspective view of the tool box of my new design, with the mediated cover opened, the top cover attached to the mediated cover, the broken line drawing is for illustrative purposes only and forms no part of the claimed design.

**1 Claim, 8 Drawing Sheets**



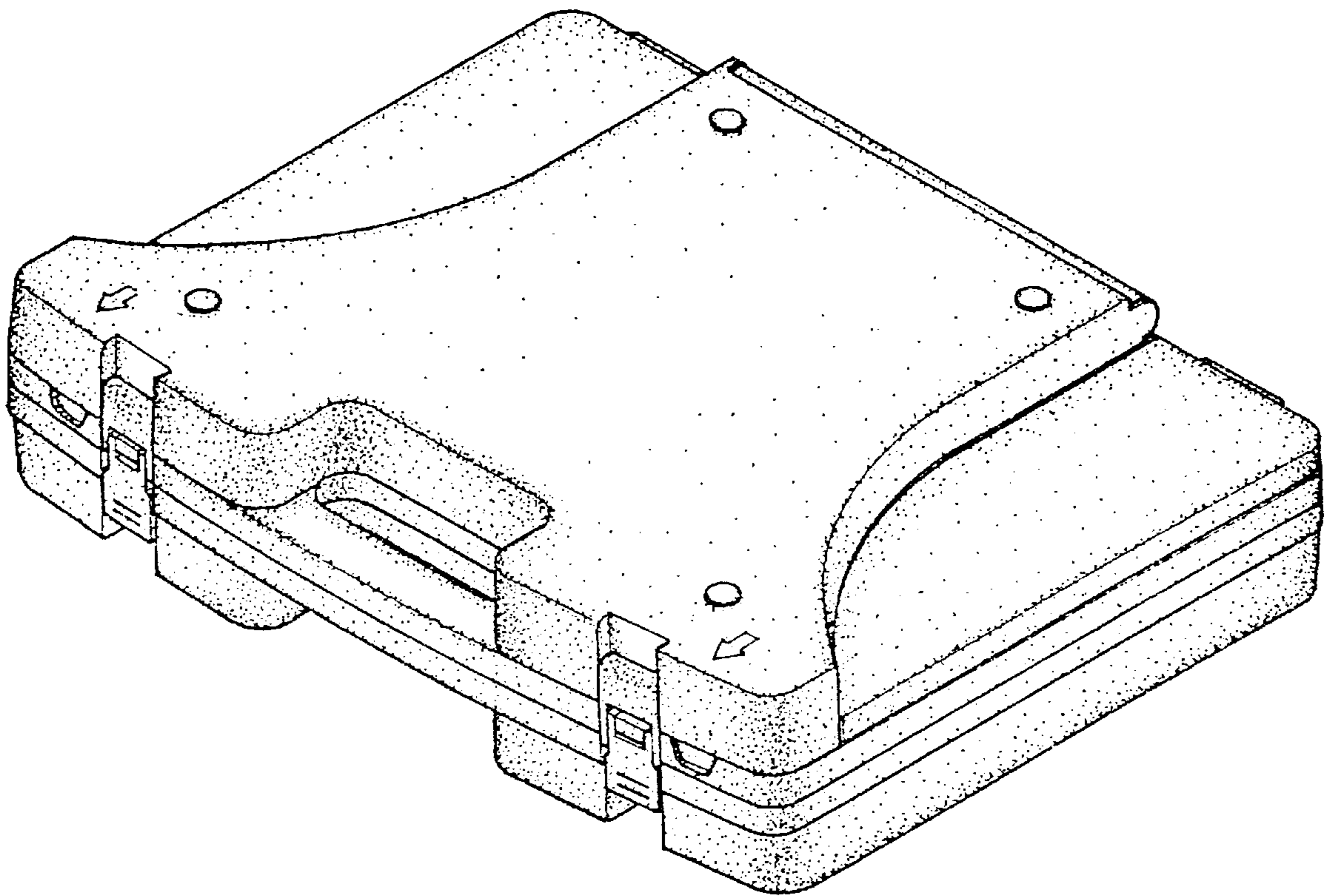


FIG. 1

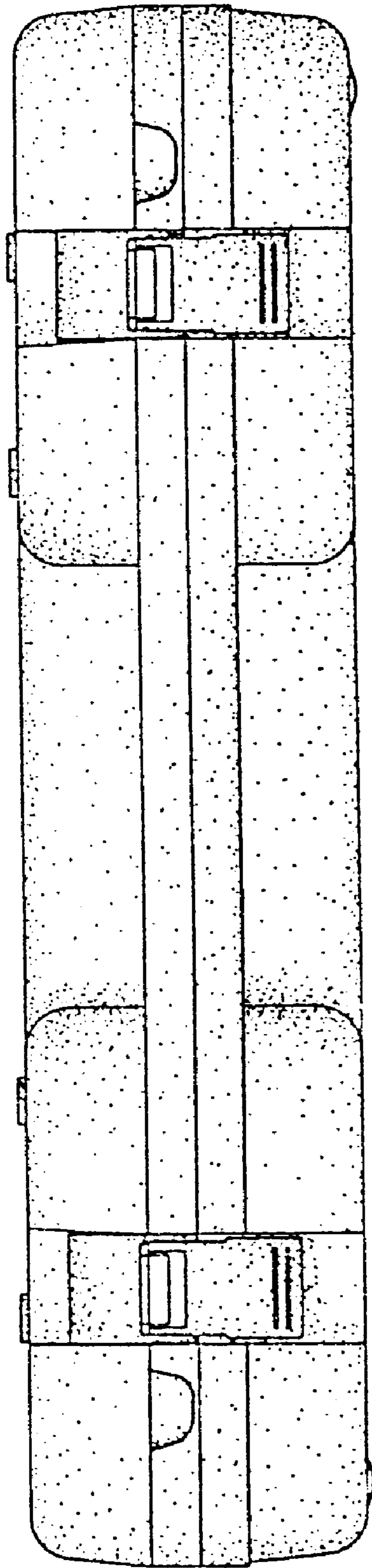


FIG. 2

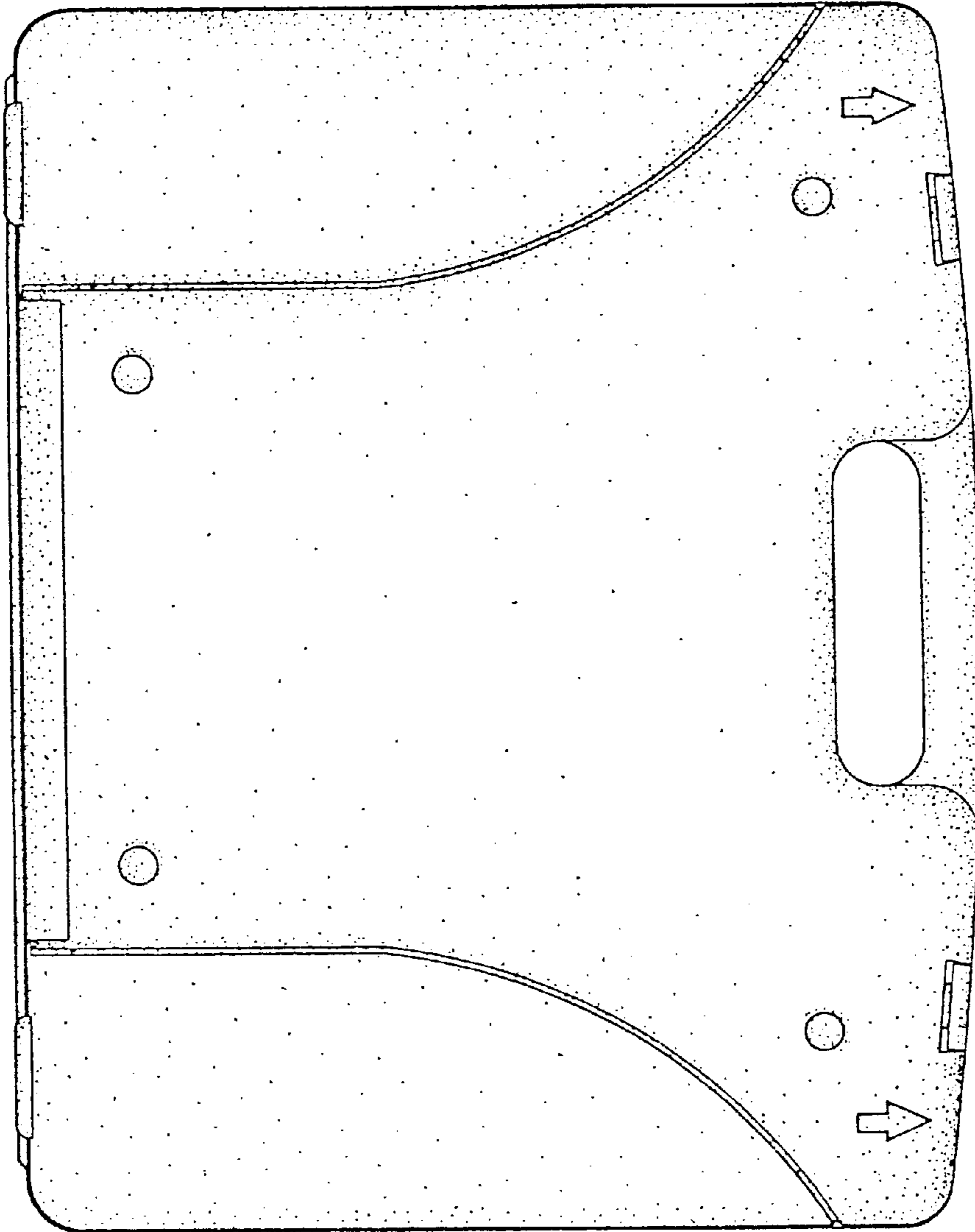


FIG. 3

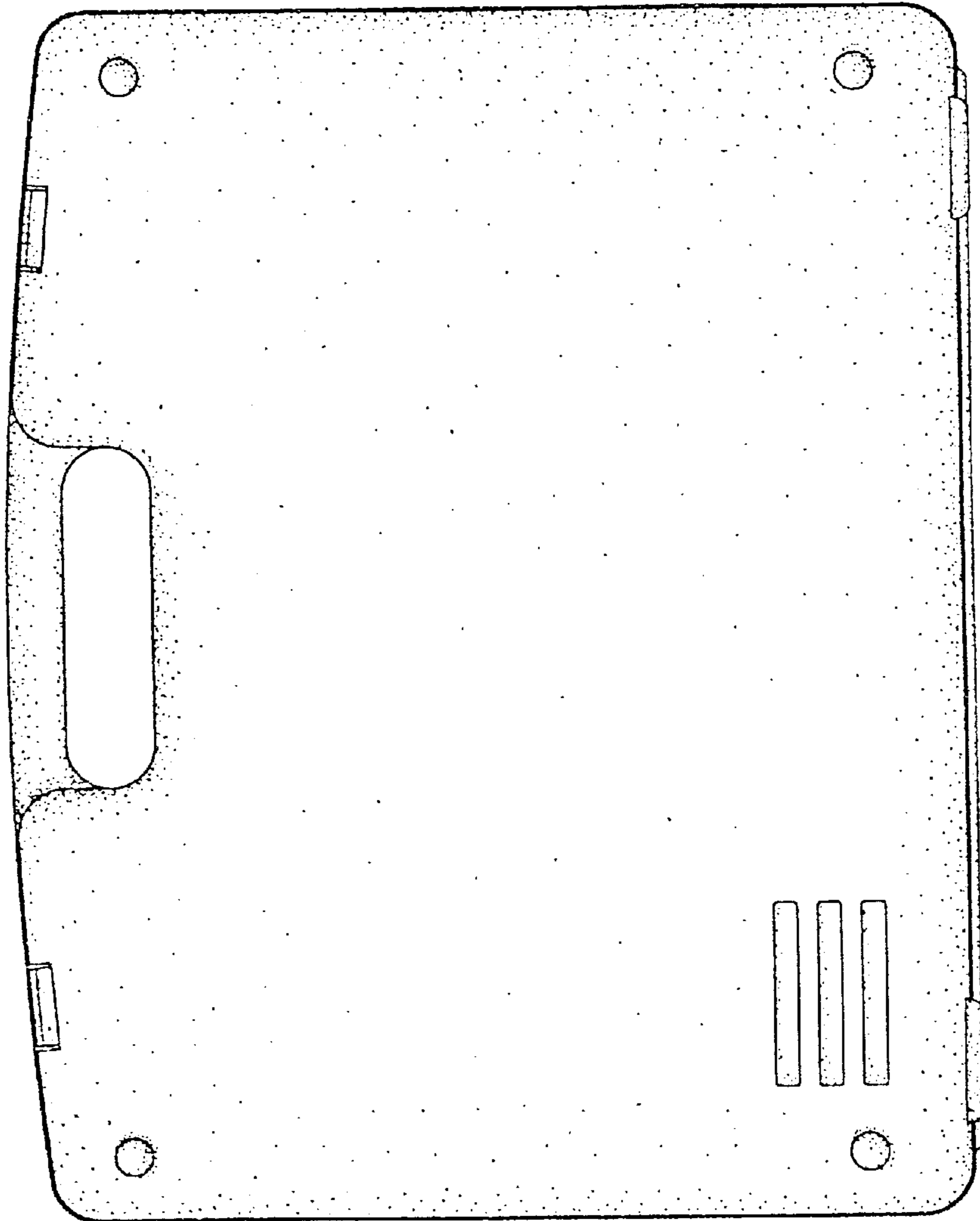


FIG. 4



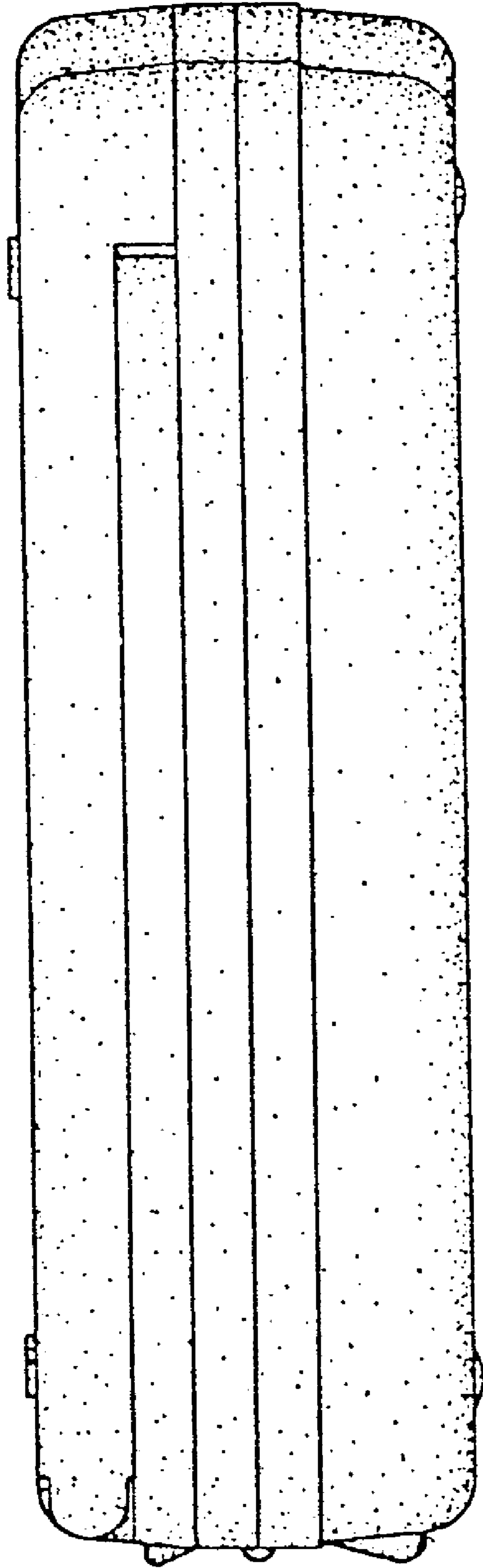


FIG. 5

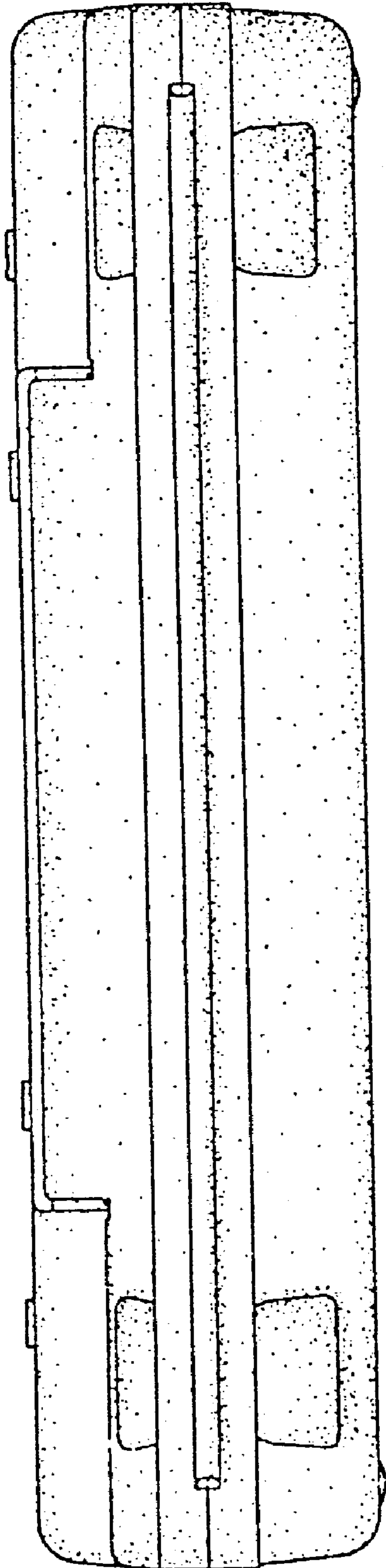


FIG. 6

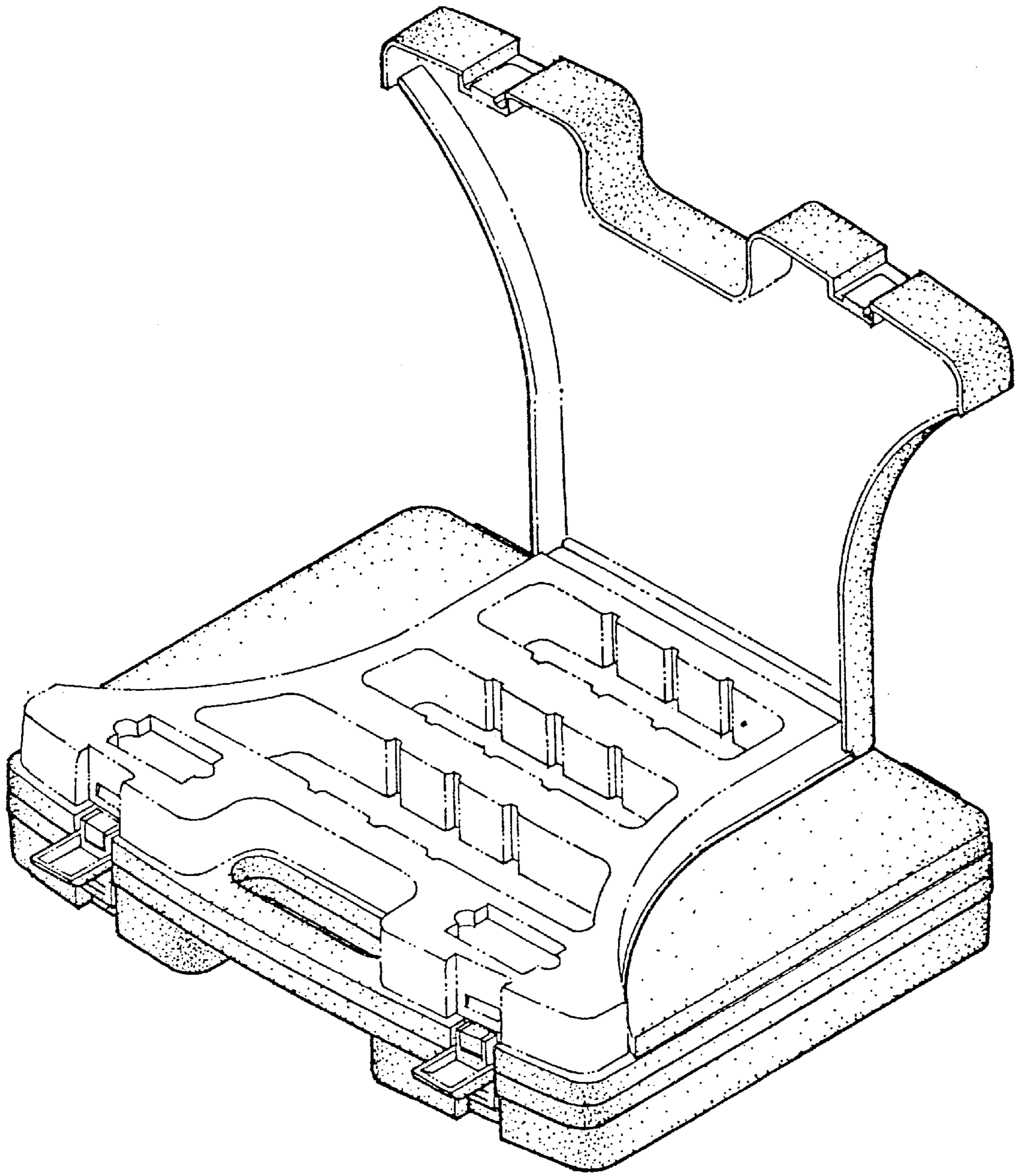


FIG. 7



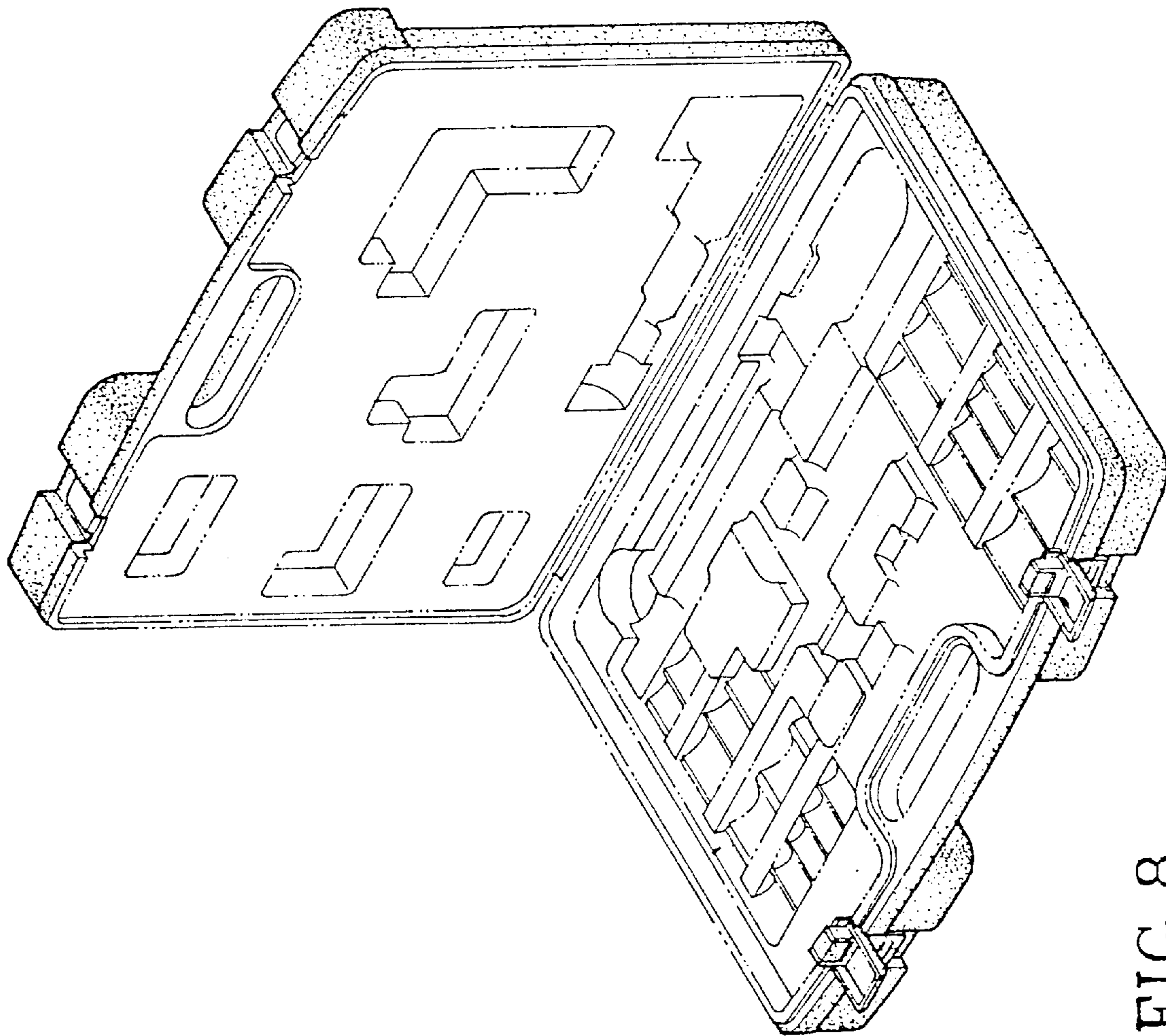


FIG. 8