



US00D426703S

United States Patent [19] Kojoori

[11] **Patent Number: Des. 426,703**

[45] **Date of Patent: ** Jun. 20, 2000**

[54] **COMMUTER FRONT POCKET WALLET**

[75] Inventor: **Ramineh Kojoori**, Plano, Tex.

[73] Assignee: **Fossil, Inc.**, Richardson, Tex.

[**] Term: **14 Years**

[21] Appl. No.: **29/108,735**

[22] Filed: **Aug. 2, 1999**

[51] **LOC (7) Cl.** **03-01**

[52] **U.S. Cl.** **D3/249; D3/247; D3/250; D3/251**

[58] **Field of Search** **D3/247, 249, 250, D3/251; 150/102, 106, 131, 132, 136, 137, 145**

[56] **References Cited**

U.S. PATENT DOCUMENTS

175,822	4/1876	Conlan	D3/250
D. 270,303	8/1983	Zautner	D3/226
1,874,554	8/1932	Liedel	D3/250 X
2,655,705	10/1953	Hatfield	150/137
4,705,086	11/1987	O'Neill	150/134
5,103,884	4/1992	Roman	150/134
5,653,276	8/1997	Niernberger	150/137

Primary Examiner—Louis S. Zarfes
Assistant Examiner—Monica A. Weingart
Attorney, Agent, or Firm—Strasburger & Price, LLP; Jane A. O'Connell

[57] **CLAIM**

I claim the ornamental design for the commuter front pocket wallet, as shown and described.

DESCRIPTION

FIG. 1 is a front perspective view of the front pocket wallet of the present invention.

FIG. 2 is a front view of the front pocket wallet.

FIG. 3 is a top view of the front pocket wallet.

FIG. 4 is a bottom view of the front pocket wallet.

FIG. 5 is a back perspective of the front pocket wallet.

FIG. 6 is a back view of the front pocket wallet.

FIG. 7 is a right view of the front pocket wallet.

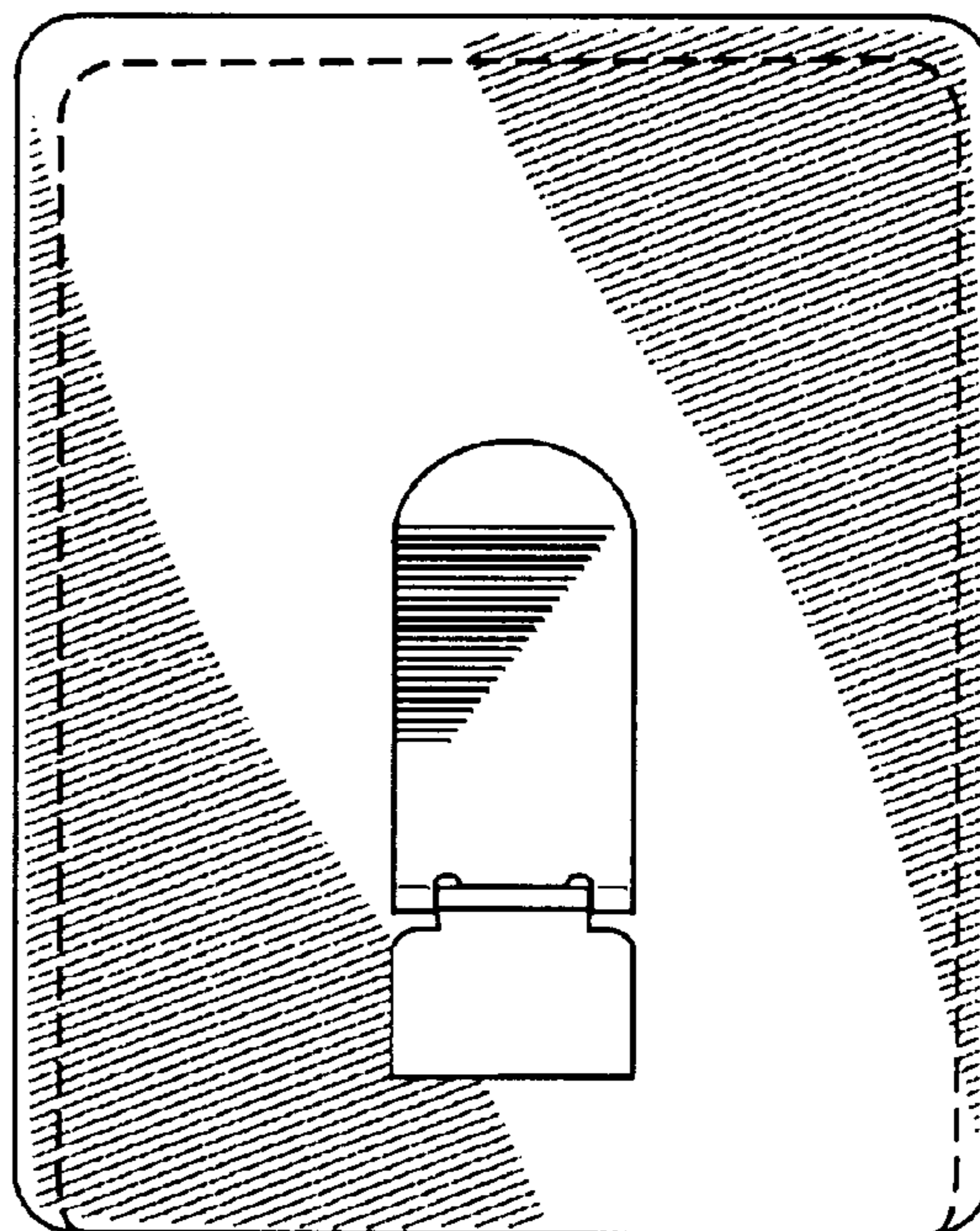
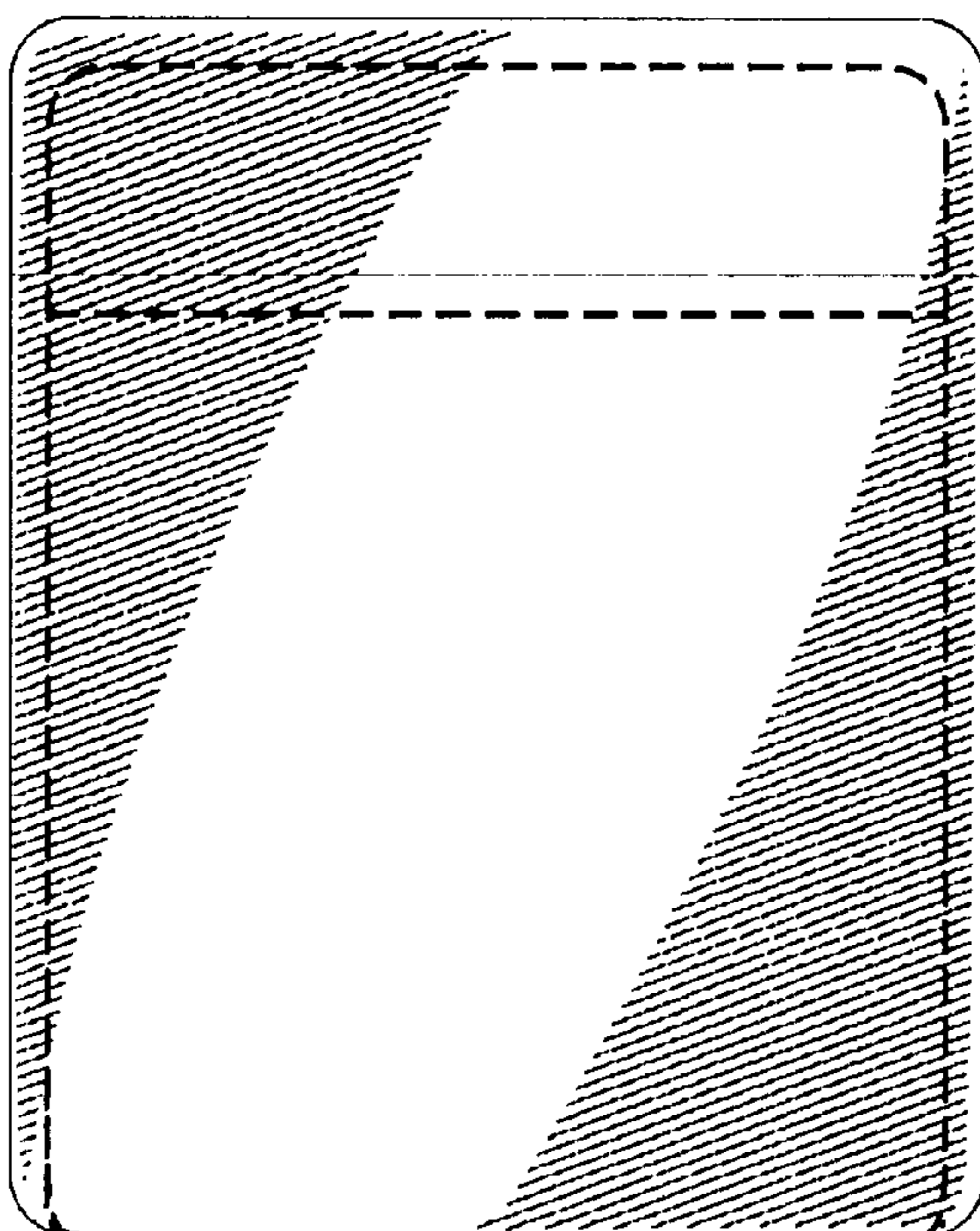
FIG. 8 is a left view of the front pocket wallet.

FIG. 9 is an open front perspective view of the front pocket wallet; and,

FIG. 10 is an open back perspective view of the front pocket wallet.

The broken line showing of paper money in FIG. 5 and a card in FIG. 8 is for illustrative purposes only and forms no part of the claimed design.

1 Claim, 4 Drawing Sheets



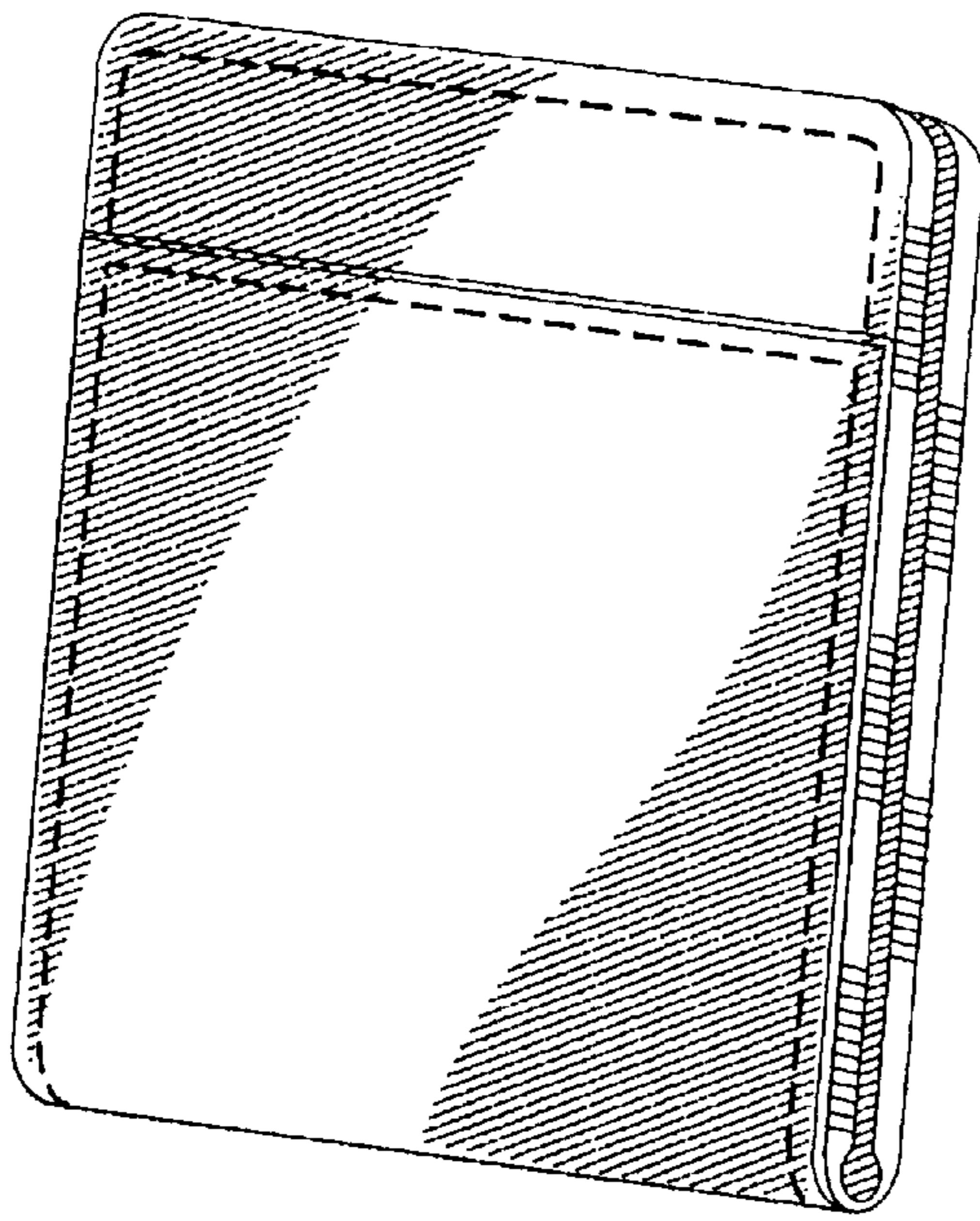


FIG. 1

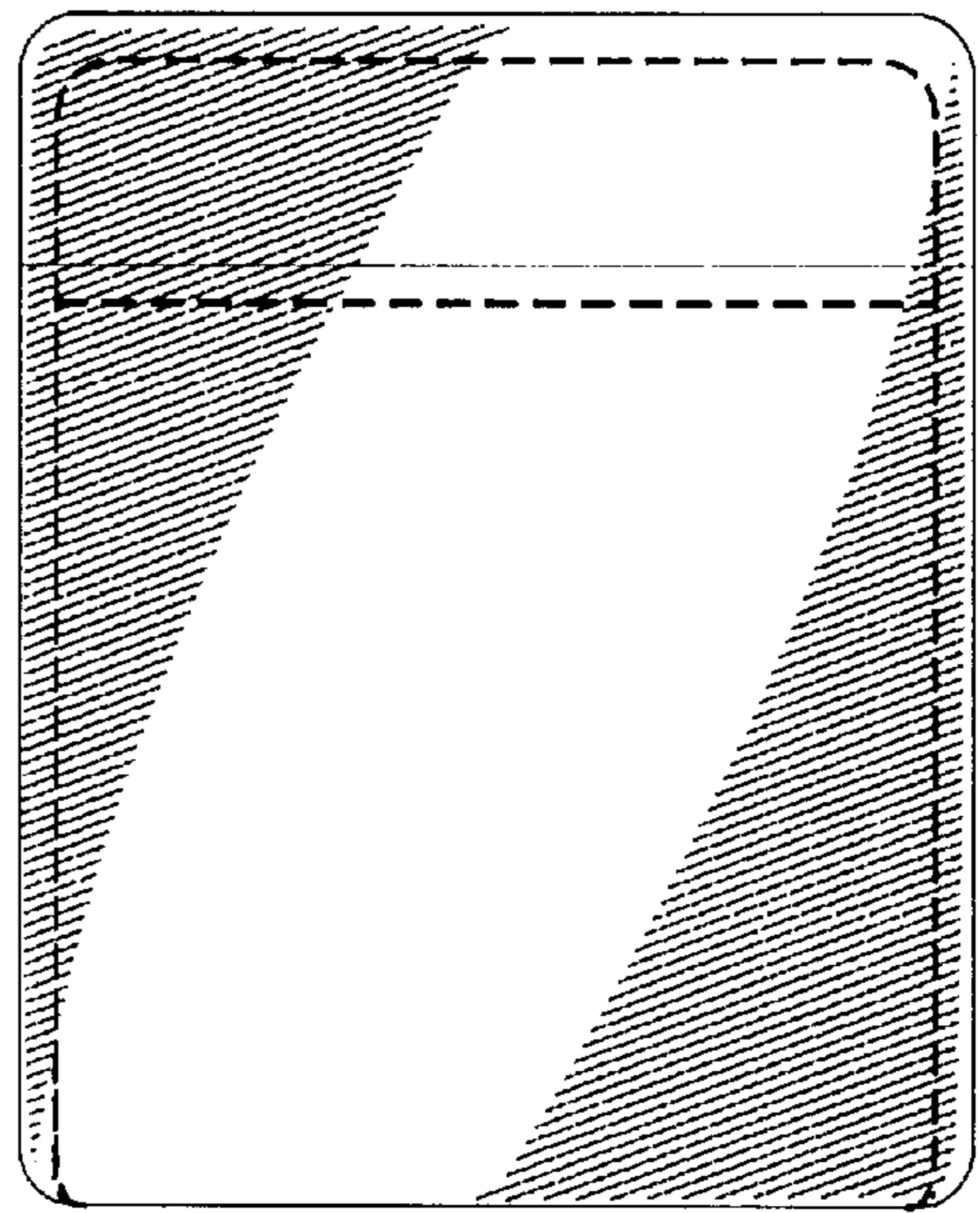


FIG. 2

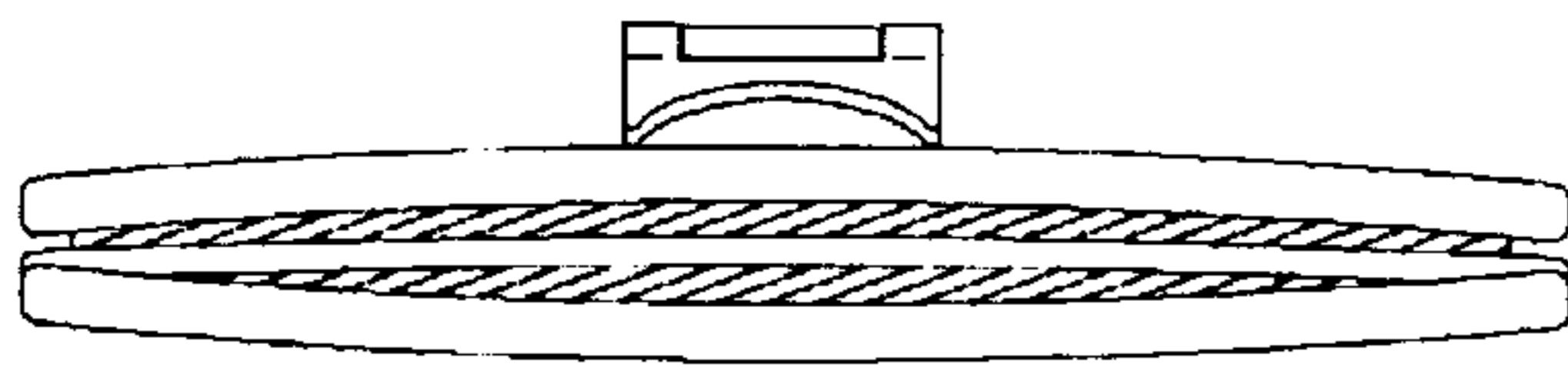


FIG. 3

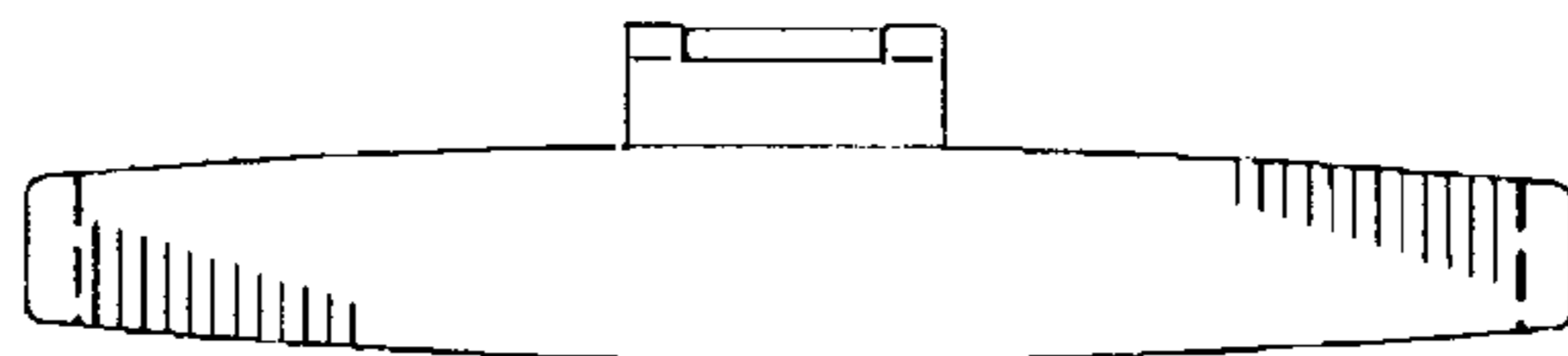


FIG. 4

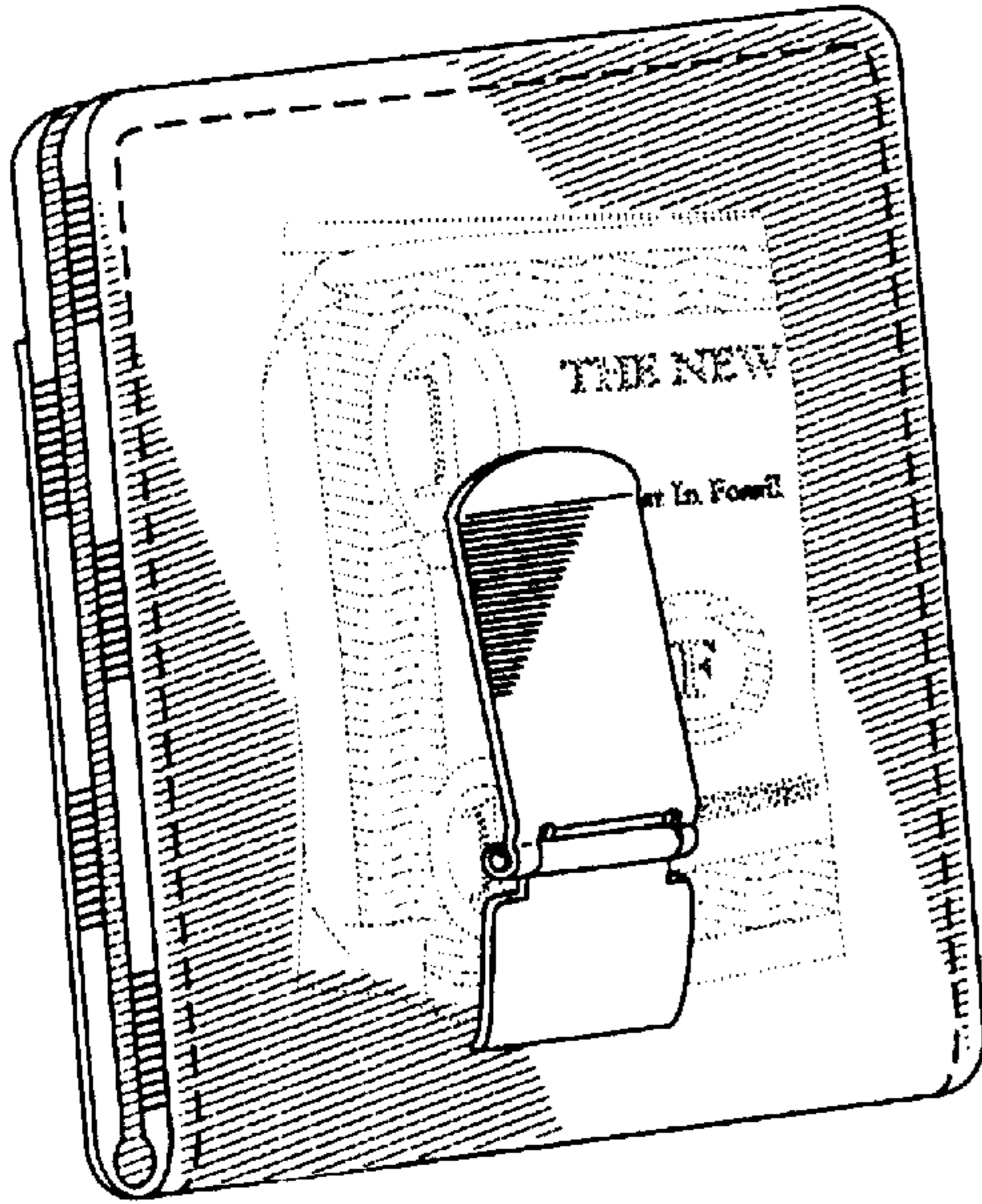


FIG. 5

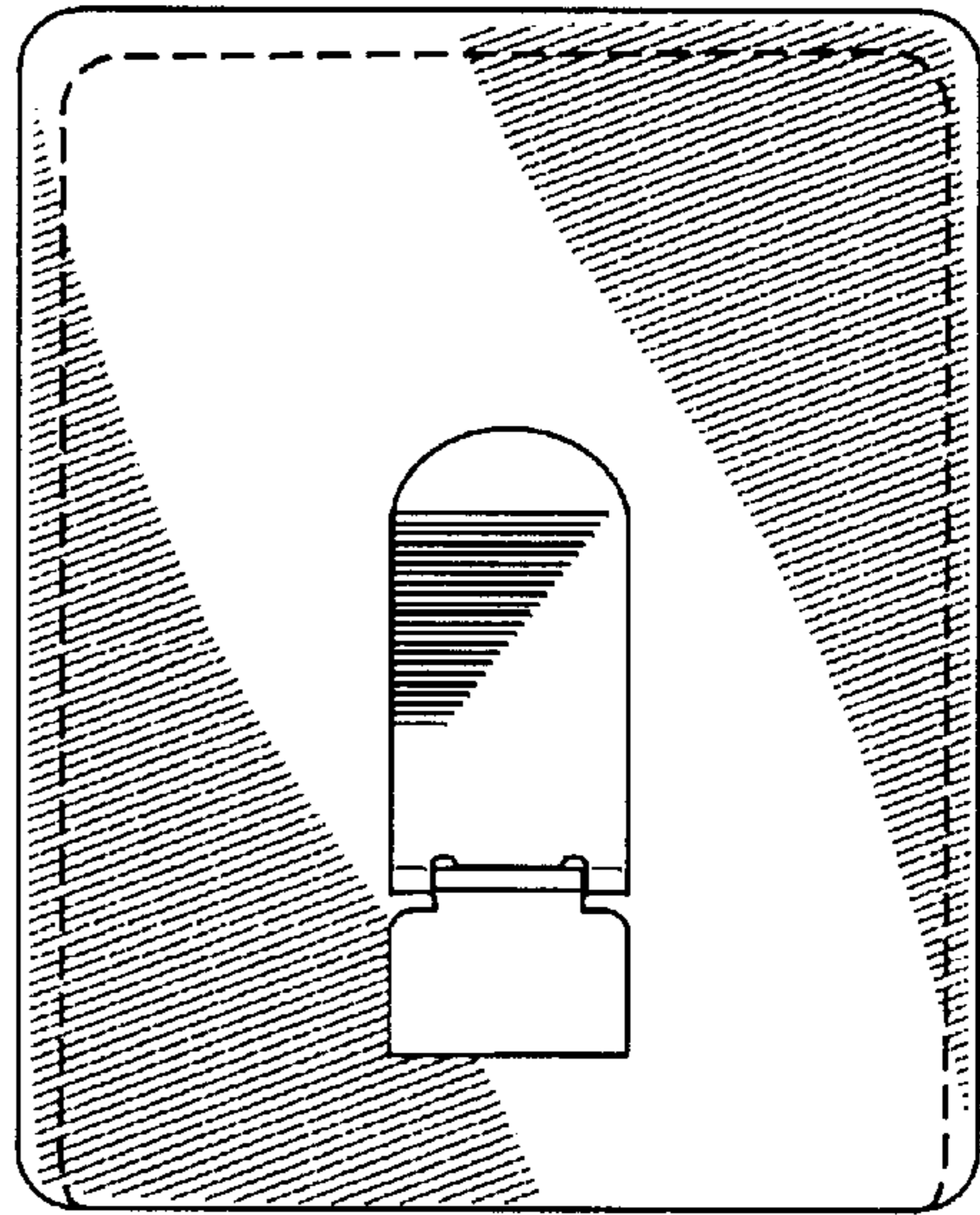


FIG. 6

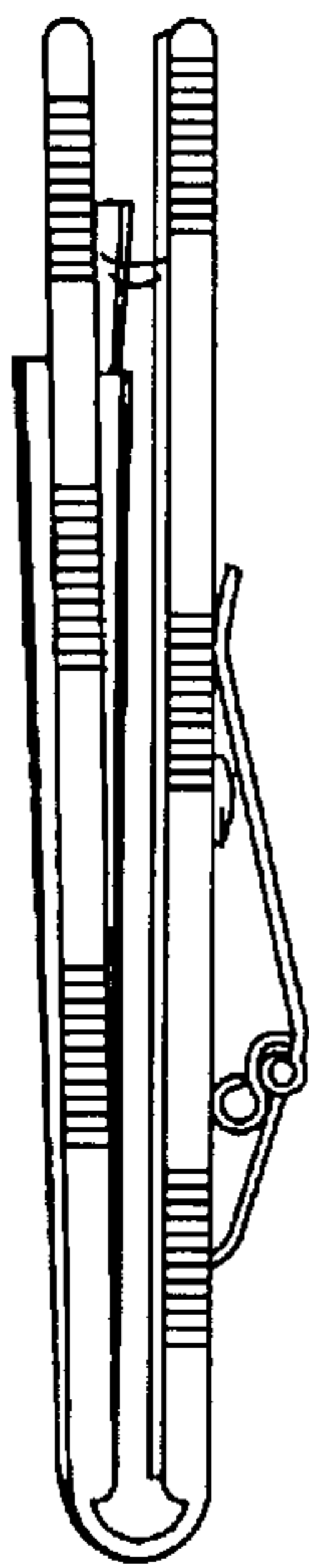


FIG. 7

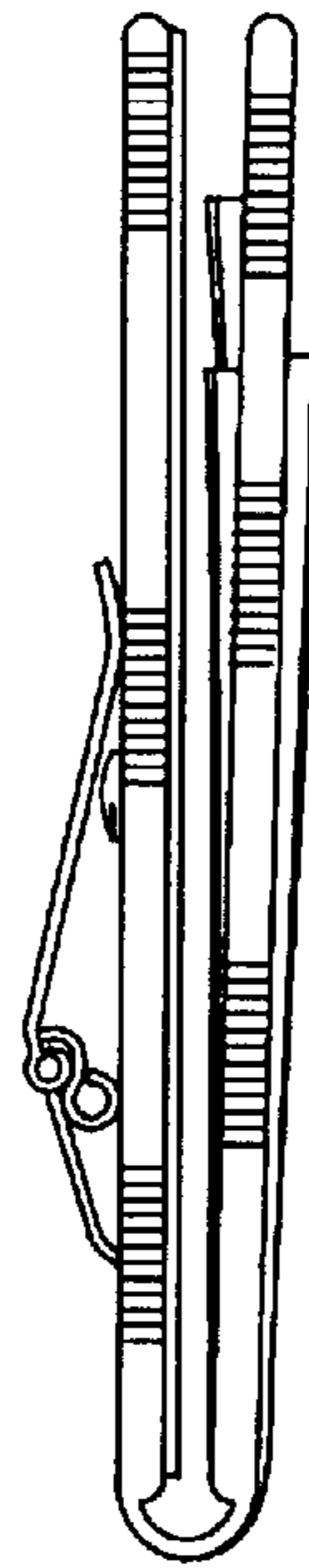


FIG. 8

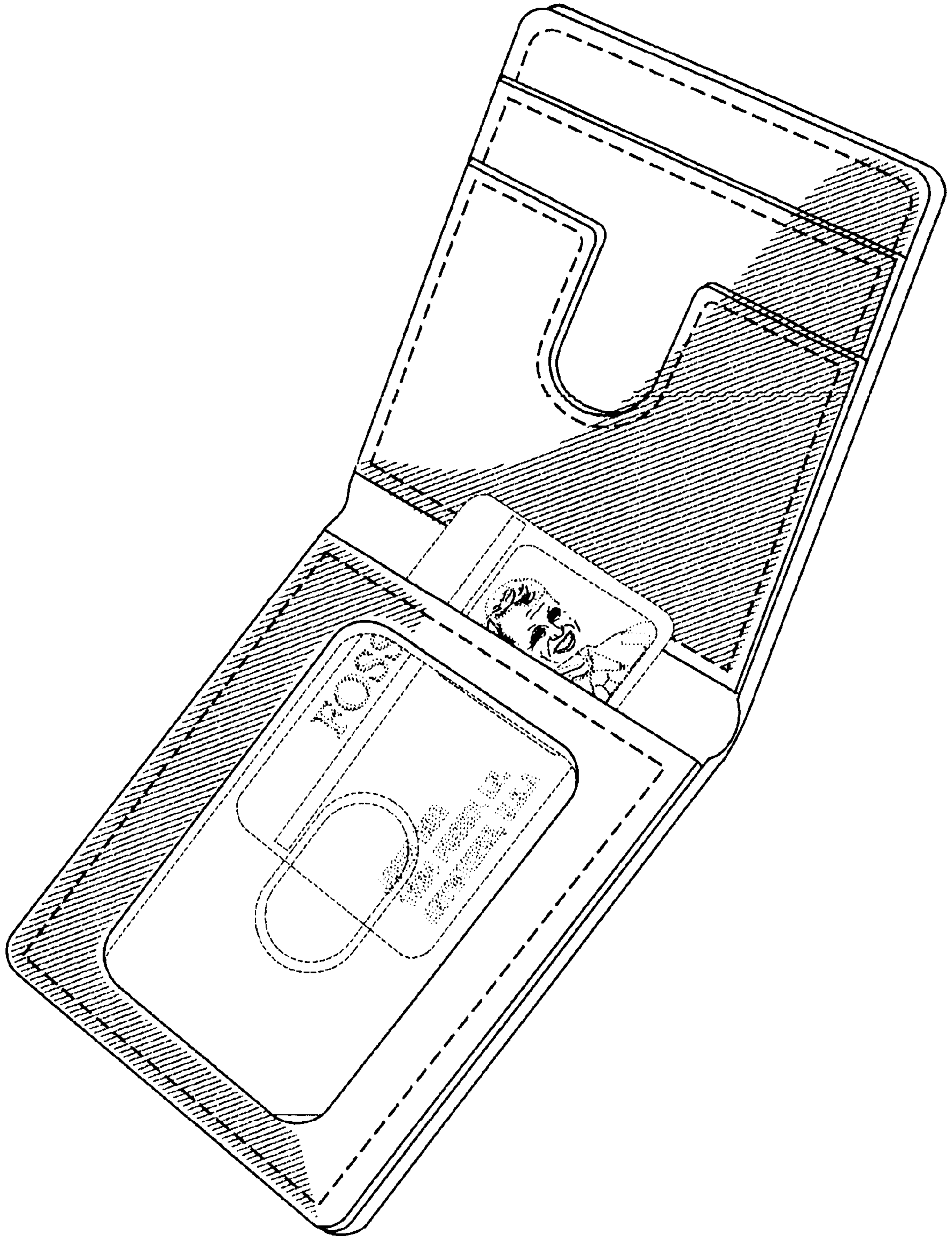


FIG. 9

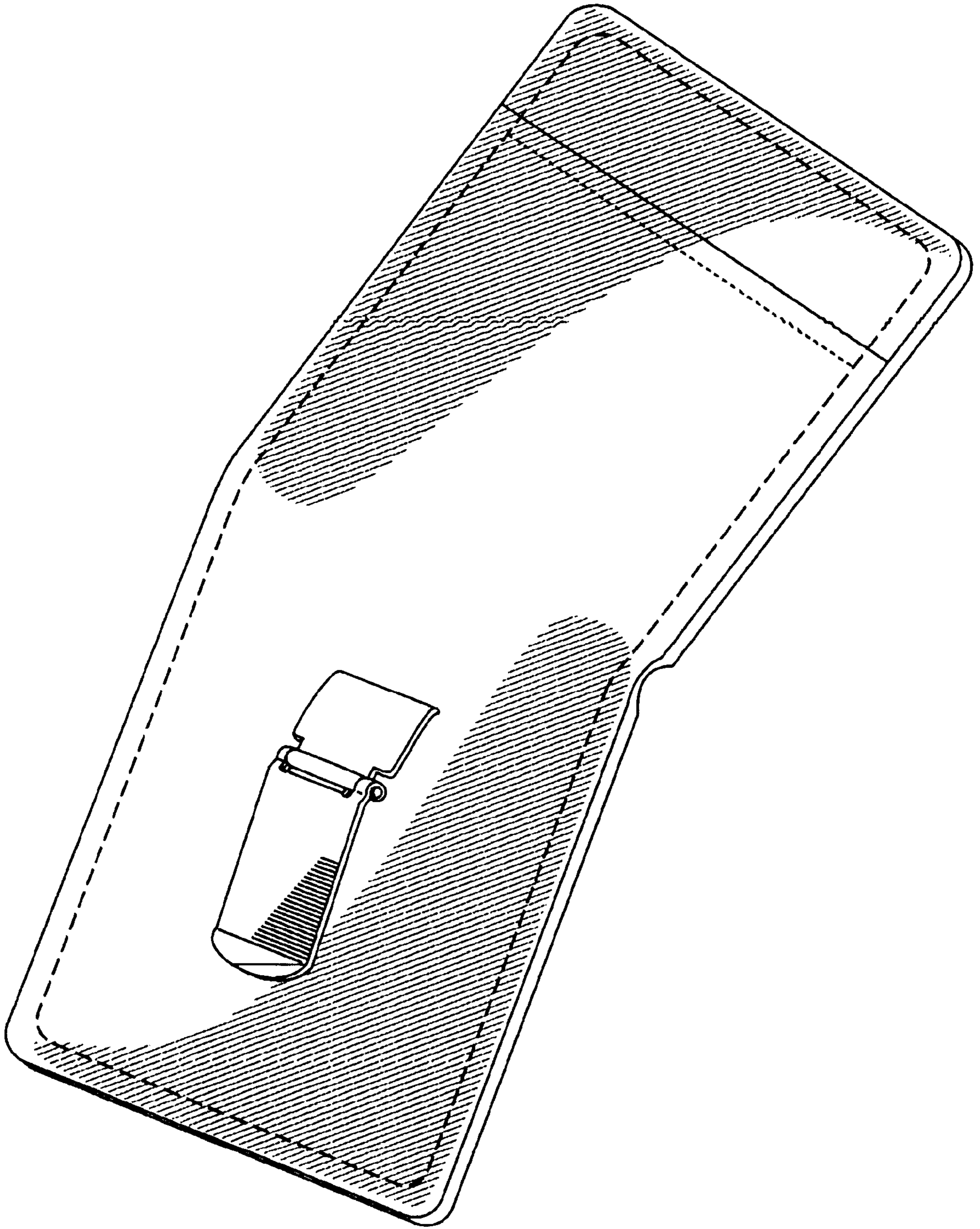


FIG. 10