



US00D426702S

United States Patent [19]
Yen

[11] **Patent Number: Des. 426,702**

[45] **Date of Patent: ** Jun. 20, 2000**

[54] **ELECTRONIC GAME PACK WITH
DETACHABLE COMPACT DISC AND
PLAYER HOLDER**

[76] Inventor: **Elton Yen**, 9460 Telstar Ave., Unit 1, El Monte, Calif. 91731

[**] Term: **14 Years**

[21] Appl. No.: **29/107,041**

[22] Filed: **Jun. 29, 1999**

[51] **LOC (7) Cl.** **03-01**

[52] **U.S. Cl.** **D3/226; D3/218**

[58] **Field of Search** D3/226, 224, 215,
D3/218; 224/901, 904, 236, 240, 625, 664,
653, 151

[56] **References Cited**

U.S. PATENT DOCUMENTS

D. 334,663	4/1993	Petrillo	D3/226
D. 411,038	6/1999	Fair et al.	D3/226
D. 411,659	6/1999	Karton	D3/226

Primary Examiner—Louis S. Zarfes
Assistant Examiner—Catherine R. Oliver
Attorney, Agent, or Firm—Raymond Y. Chan; David and Raymond

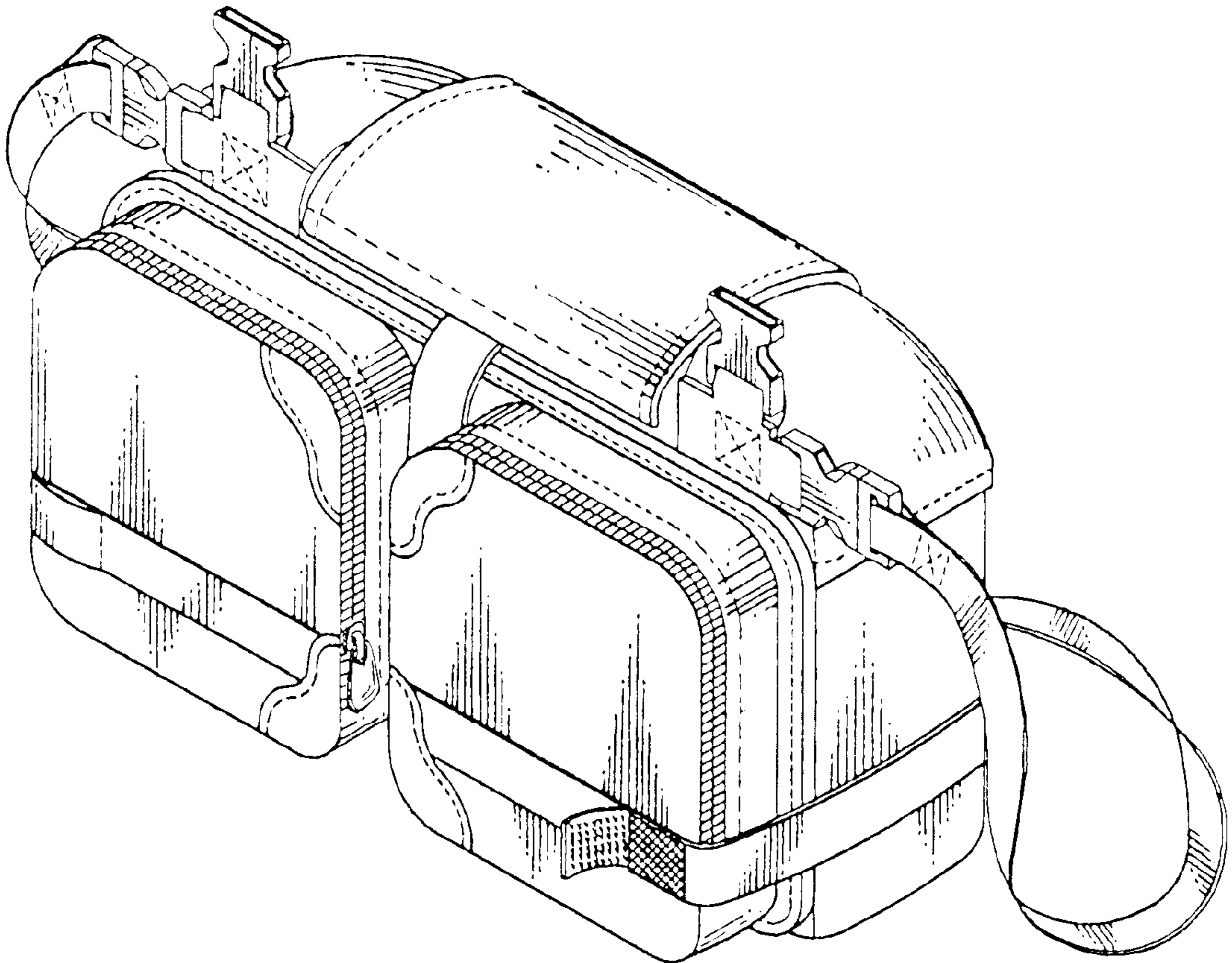
[57] **CLAIM**

The ornamental design for an electronic game pack with detachable compact disc and player holder, as shown.

DESCRIPTION

FIG. 1 is a front view of the electronic game pack with detachable disc and player holder showing my new design; FIG. 2 is a rear view thereof; FIG. 3 is a left side view thereof; FIG. 4 is a right side view thereof; FIG. 5 is a top plan view thereof; FIG. 6 is a bottom plan view thereof; FIG. 7 is a perspective view thereof; and, FIG. 8 is a perspective view, with the electronic game pack shown detached from the disc and player holder. The strap is removed from FIGS. 1–6 for convenience of illustration.

1 Claim, 5 Drawing Sheets



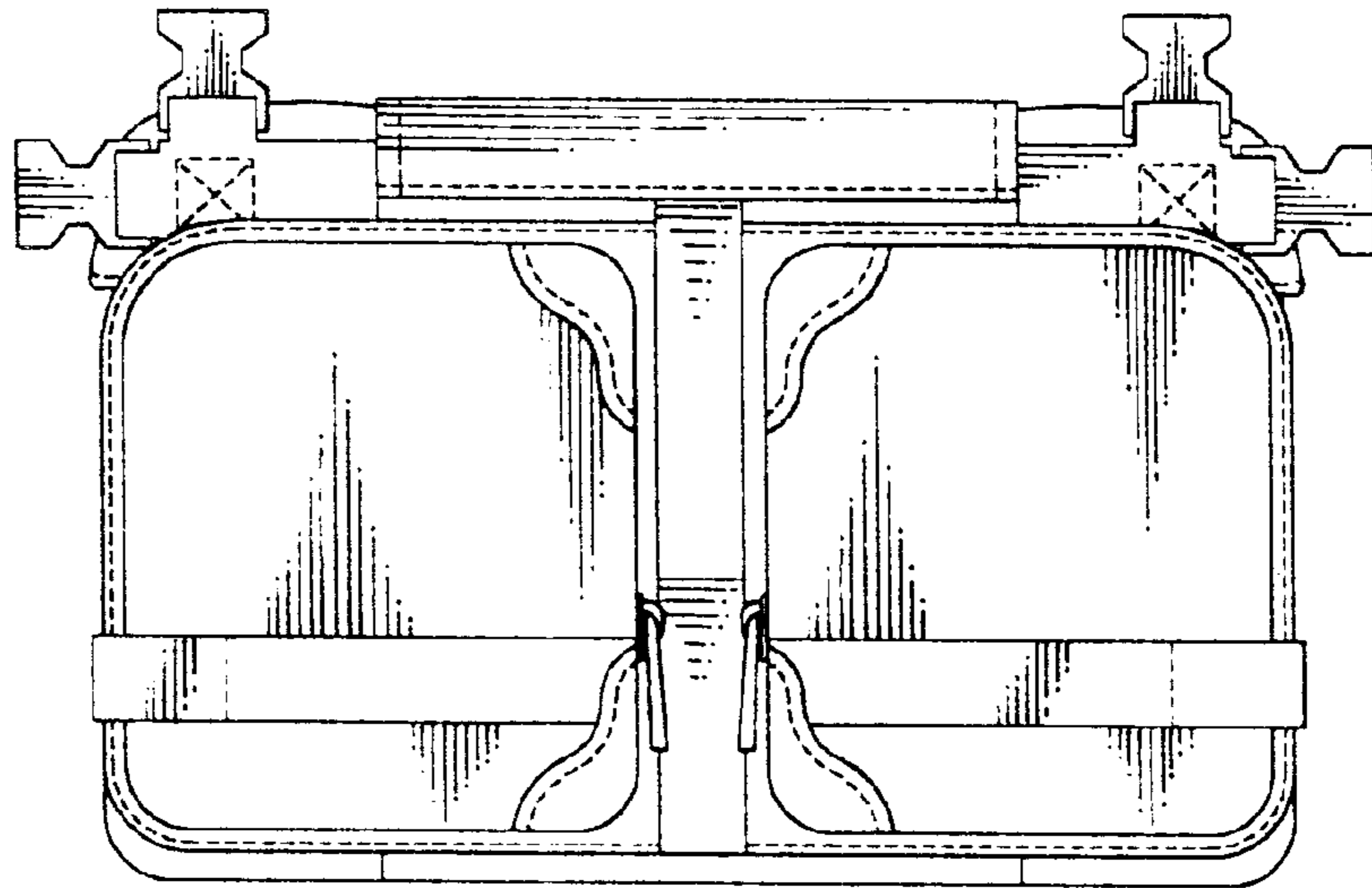


Fig. 1

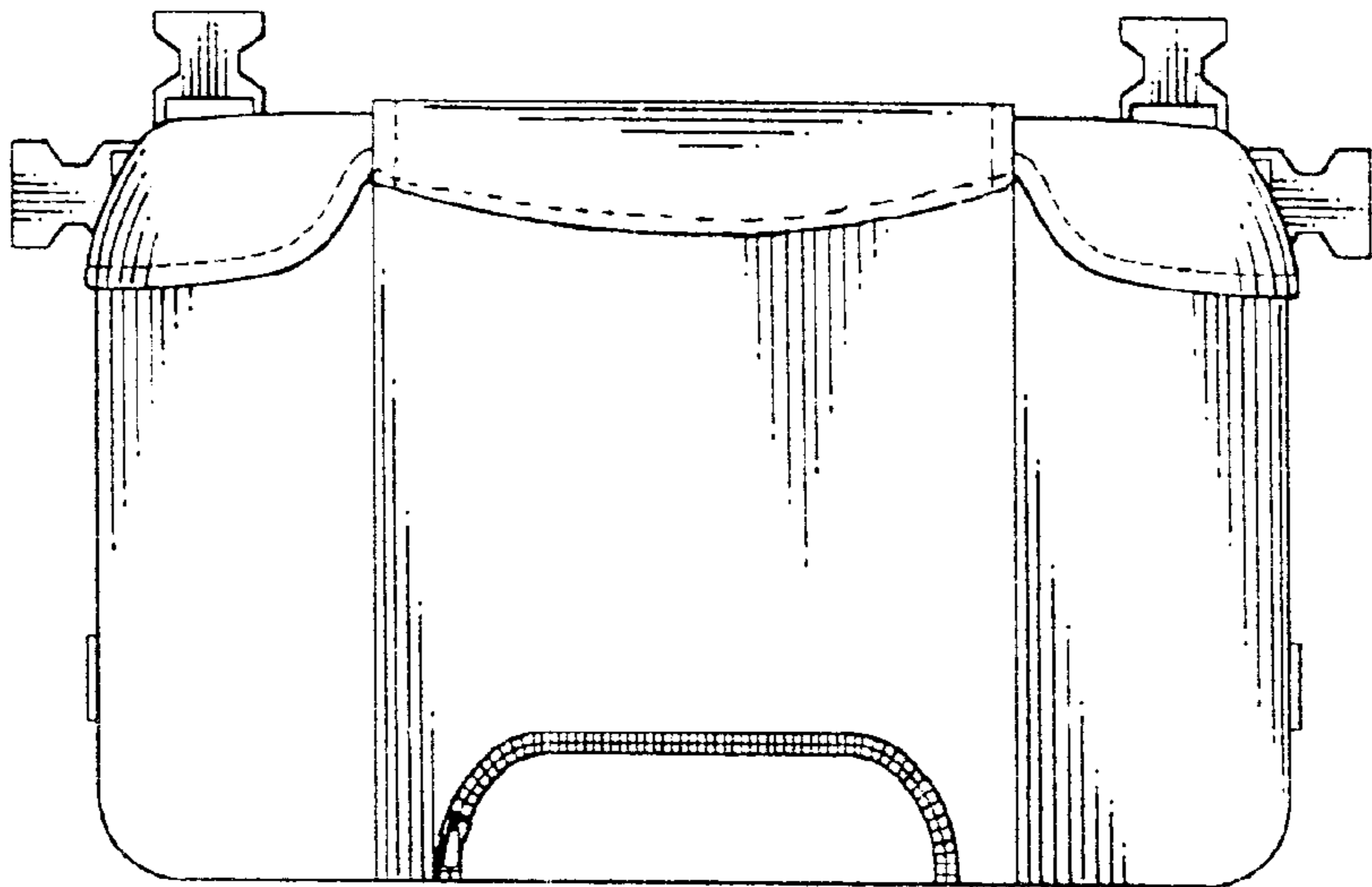


Fig. 2

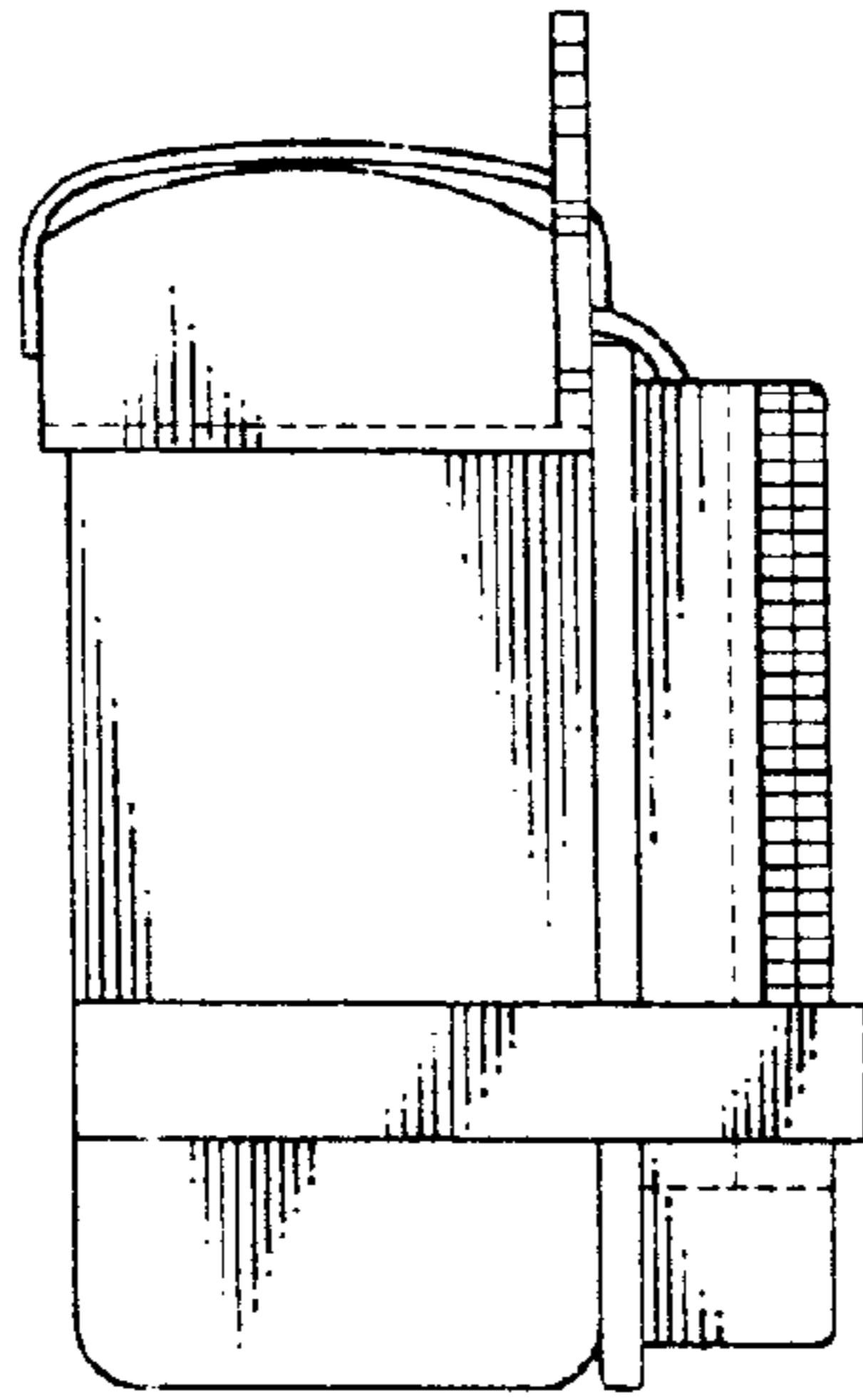


Fig. 3

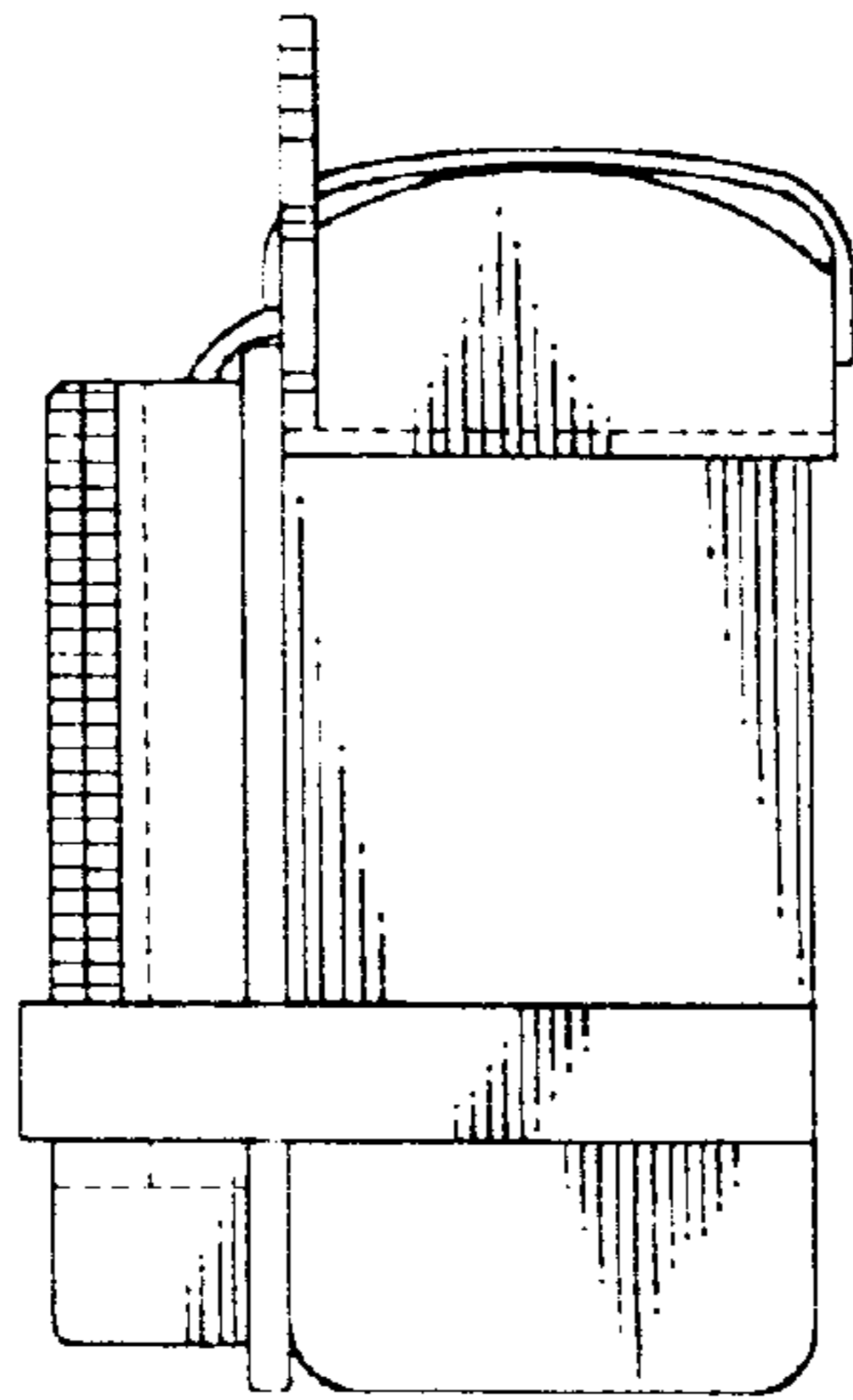


Fig. 4

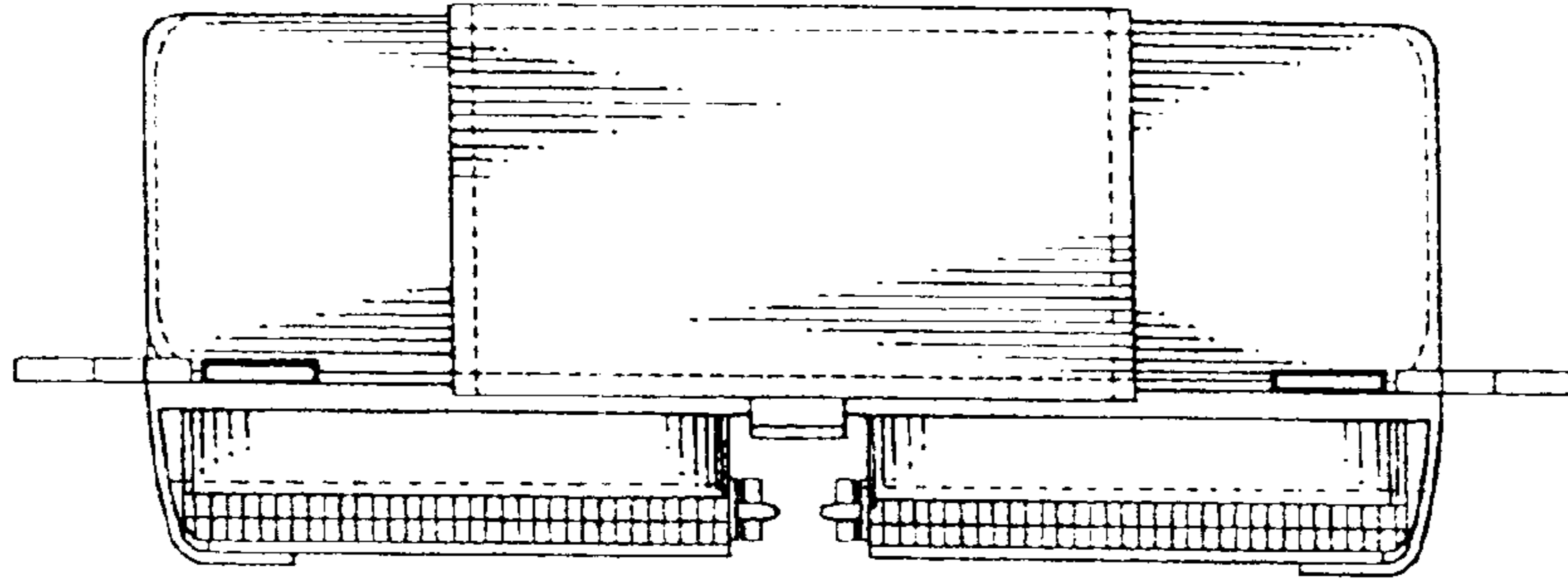


Fig. 5

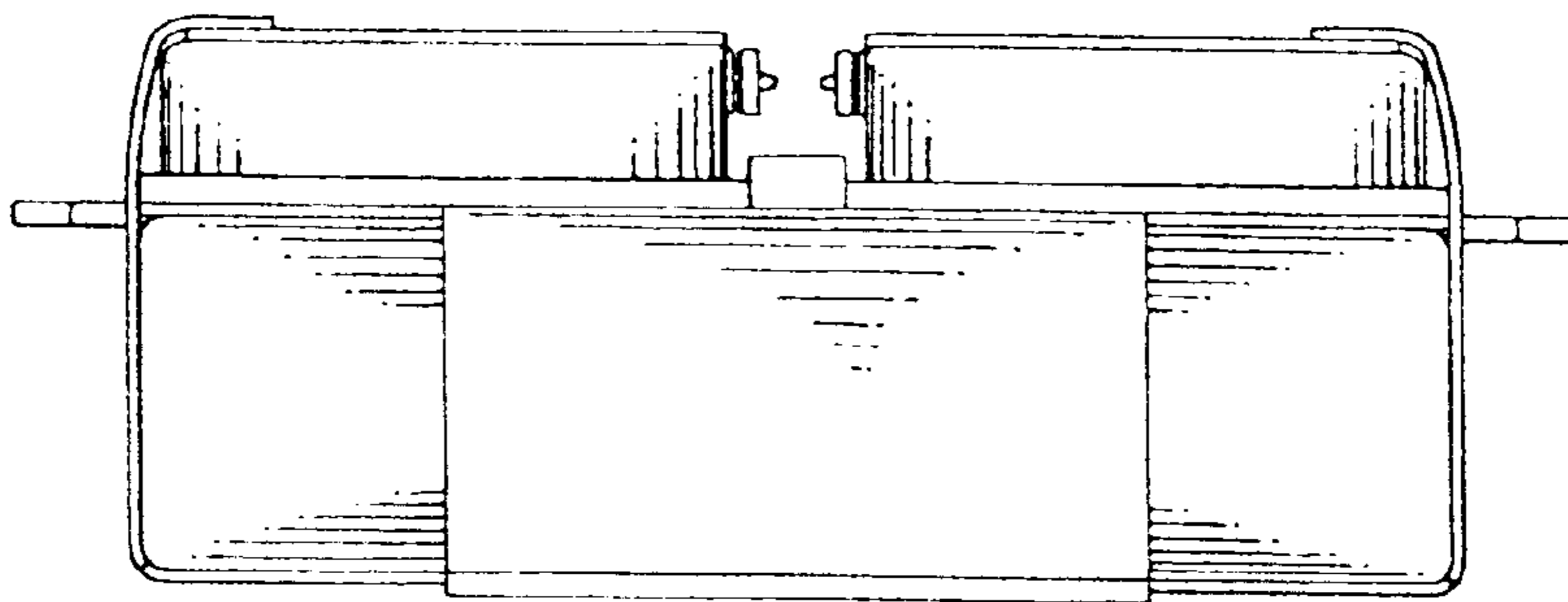


Fig. 6

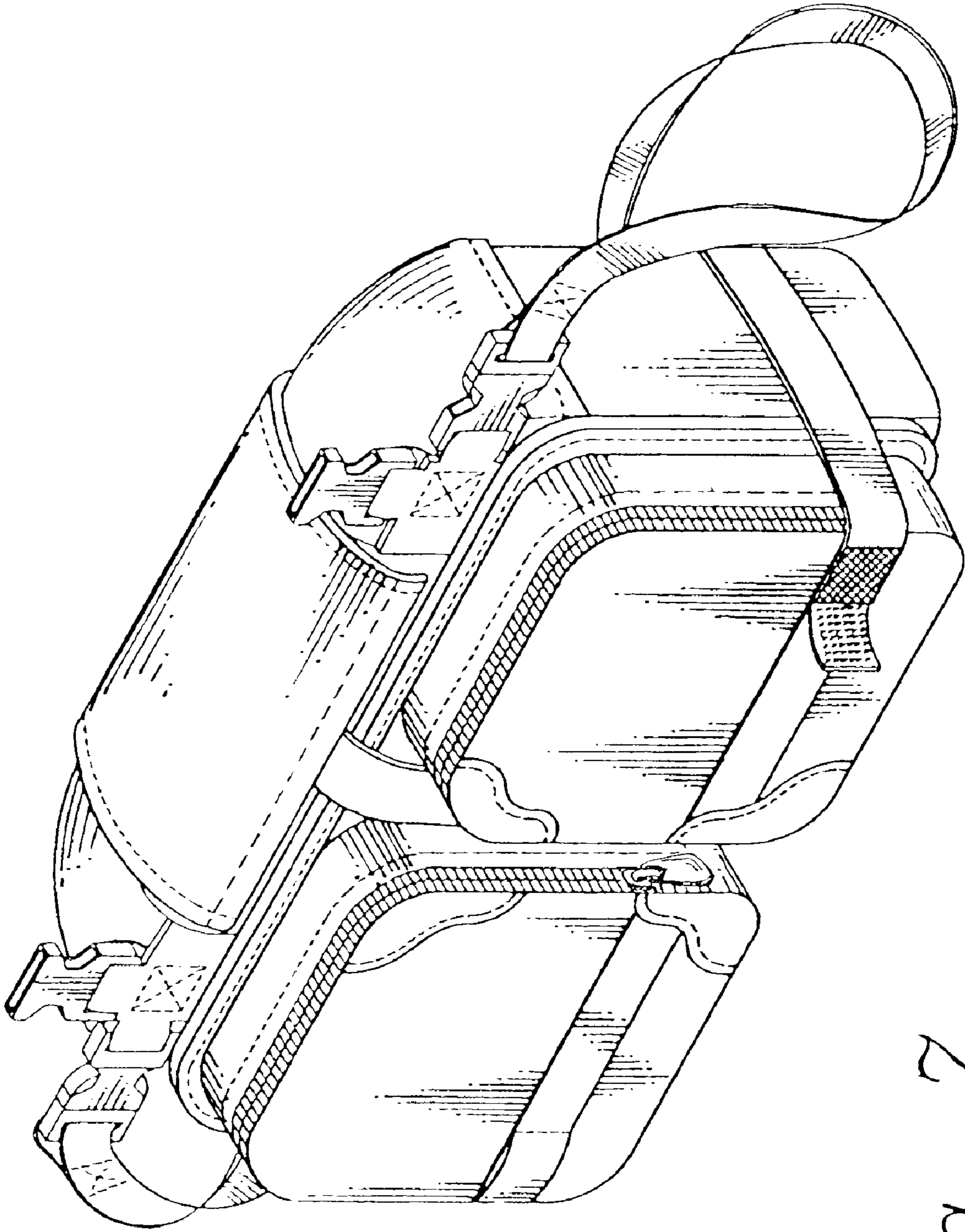


Fig. 7

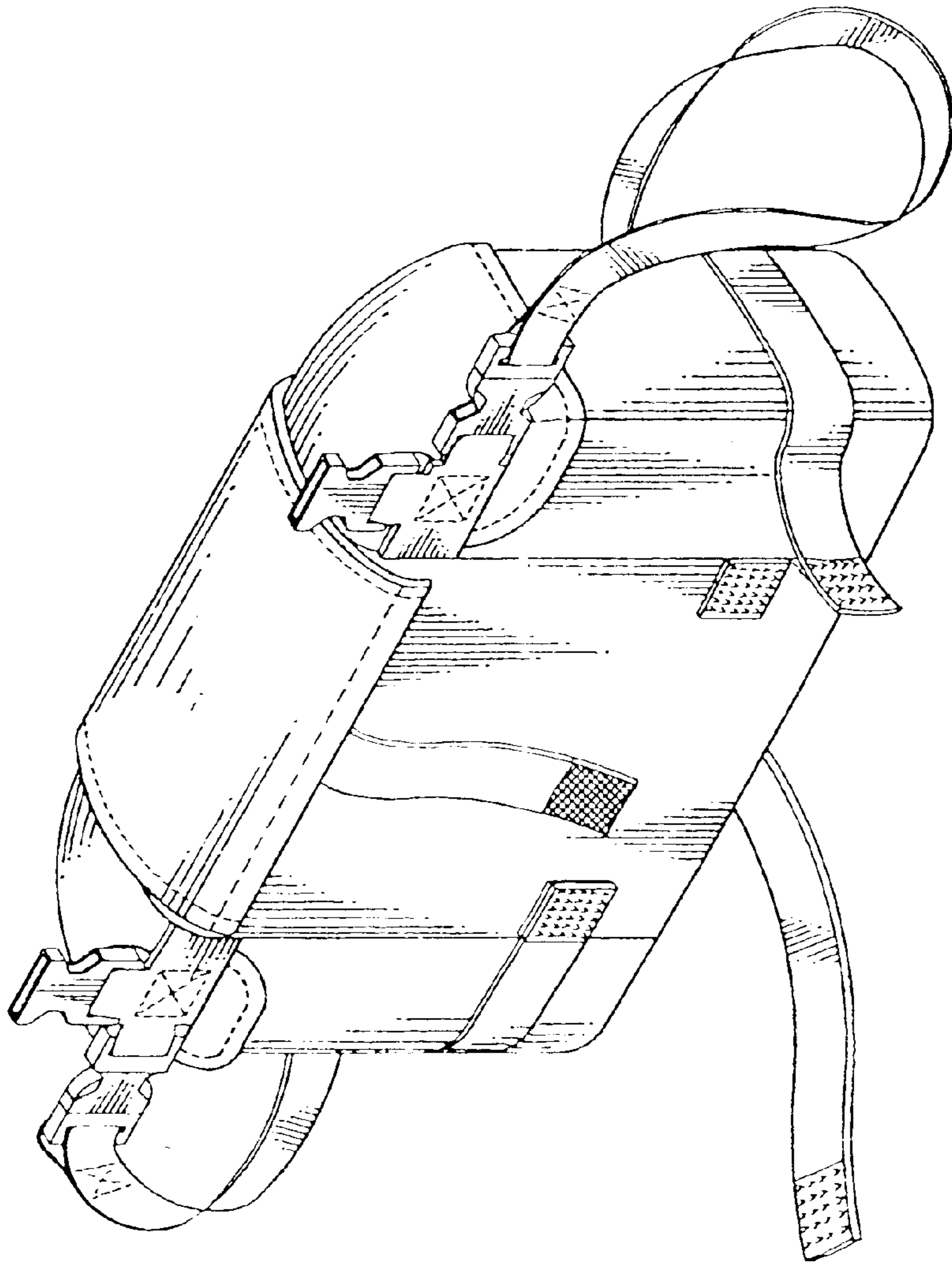


Fig. 8

