



US00D426698S

United States Patent [19]

Chiapperini et al.

[11] **Patent Number: Des. 426,698**

[45] **Date of Patent: ** Jun. 20, 2000**

[54] **BEVERAGE CONTAINER FOR ATTACHING TO A PERSON**

5,115,947 5/1992 Mc Donnell et al. 222/175 X
5,566,869 10/1996 Katz 224/148.6

[76] Inventors: **Michael L. Chiapperini; Paul Goode**, both of 14 Vermont Ave., Somerville, Mass. 02143

Primary Examiner—Louis S. Zarfaz
Assistant Examiner—Catherine R. Oliver
Attorney, Agent, or Firm—Louis J. Franco

[**] Term: **14 Years**

[57] **CLAIM**

[21] Appl. No.: **29/103,453**

The ornamental design for a beverage container for attaching to a person, as shown and described.

[22] Filed: **Apr. 14, 1999**

DESCRIPTION

[51] **LOC (7) Cl.** **03-01**

[52] **U.S. Cl.** **D3/215**

[58] **Field of Search** D3/215, 202, 229, D3/216, 217; D7/305, 605–608, 619; 224/148.1–148.7; 222/175; D24/207

FIG. 1 is left side elevation view of a beverage container for attaching to a person showing our design (the right side elevation is a mirror image of the left side view and is therefore omitted);

FIG. 2 is a front elevation view thereof;

FIG. 3 is a rear elevation view thereof;

FIG. 4 is a top plan view thereof; and,

FIG. 5 is a bottom plan view thereof.

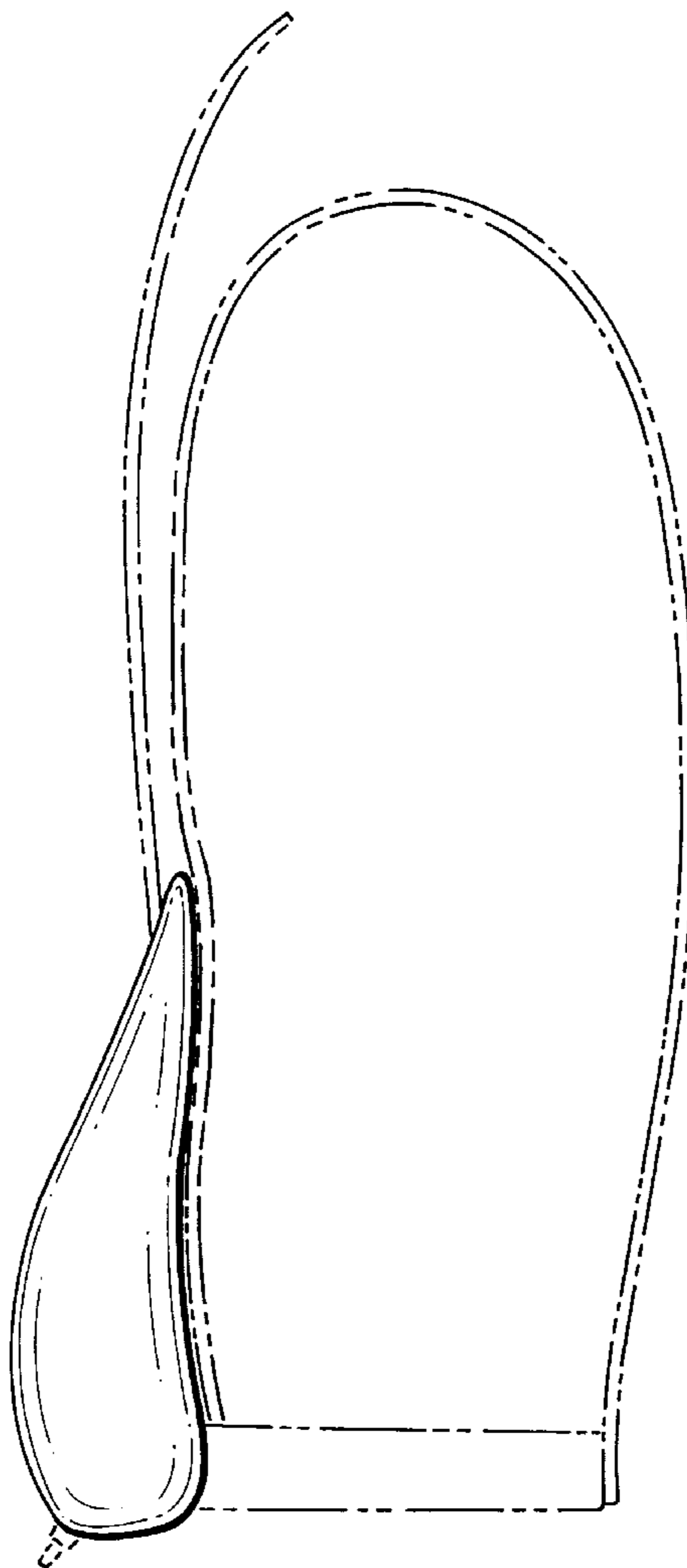
The broken line showing of environment in FIGS. 1–5 is for illustrative purposes only and forms no part of the claimed design.

[56] **References Cited**

U.S. PATENT DOCUMENTS

D. 323,430	1/1992	Nieder Korn	D3/202
D. 411,658	6/1999	Stump	D3/216
D. 411,915	7/1999	George	D3/202
4,332,379	6/1982	Bannister	224/148.3

1 Claim, 3 Drawing Sheets



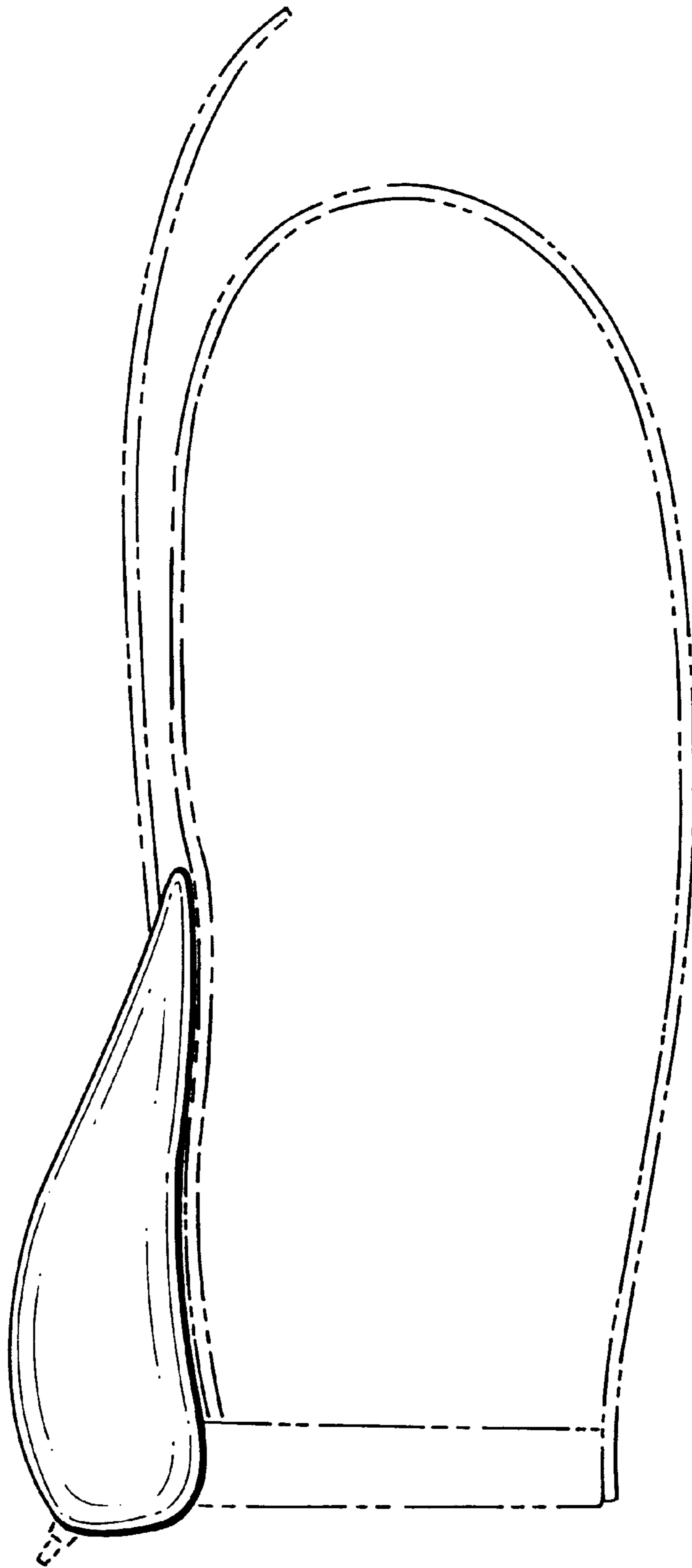


FIG. 1

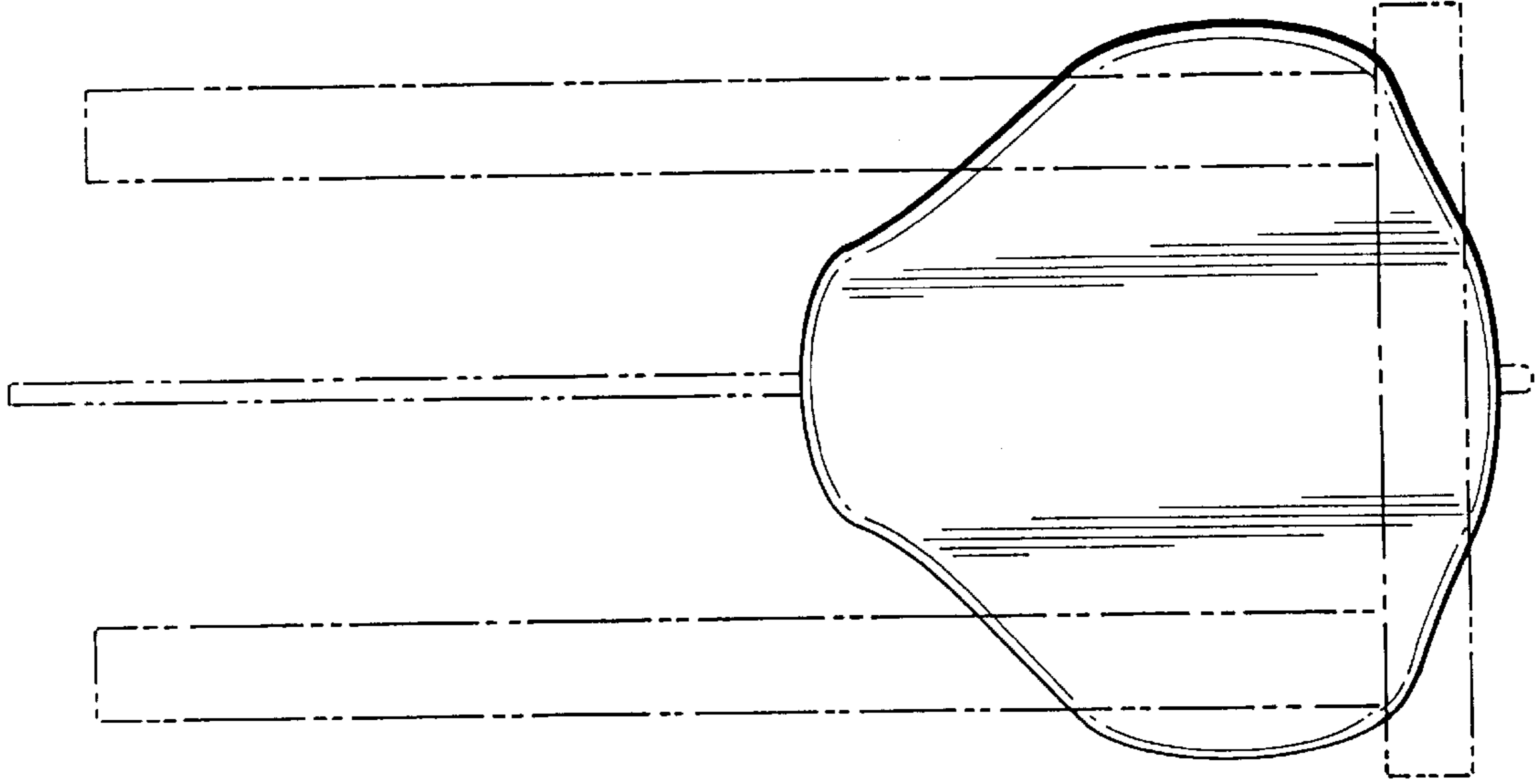


FIG. 3

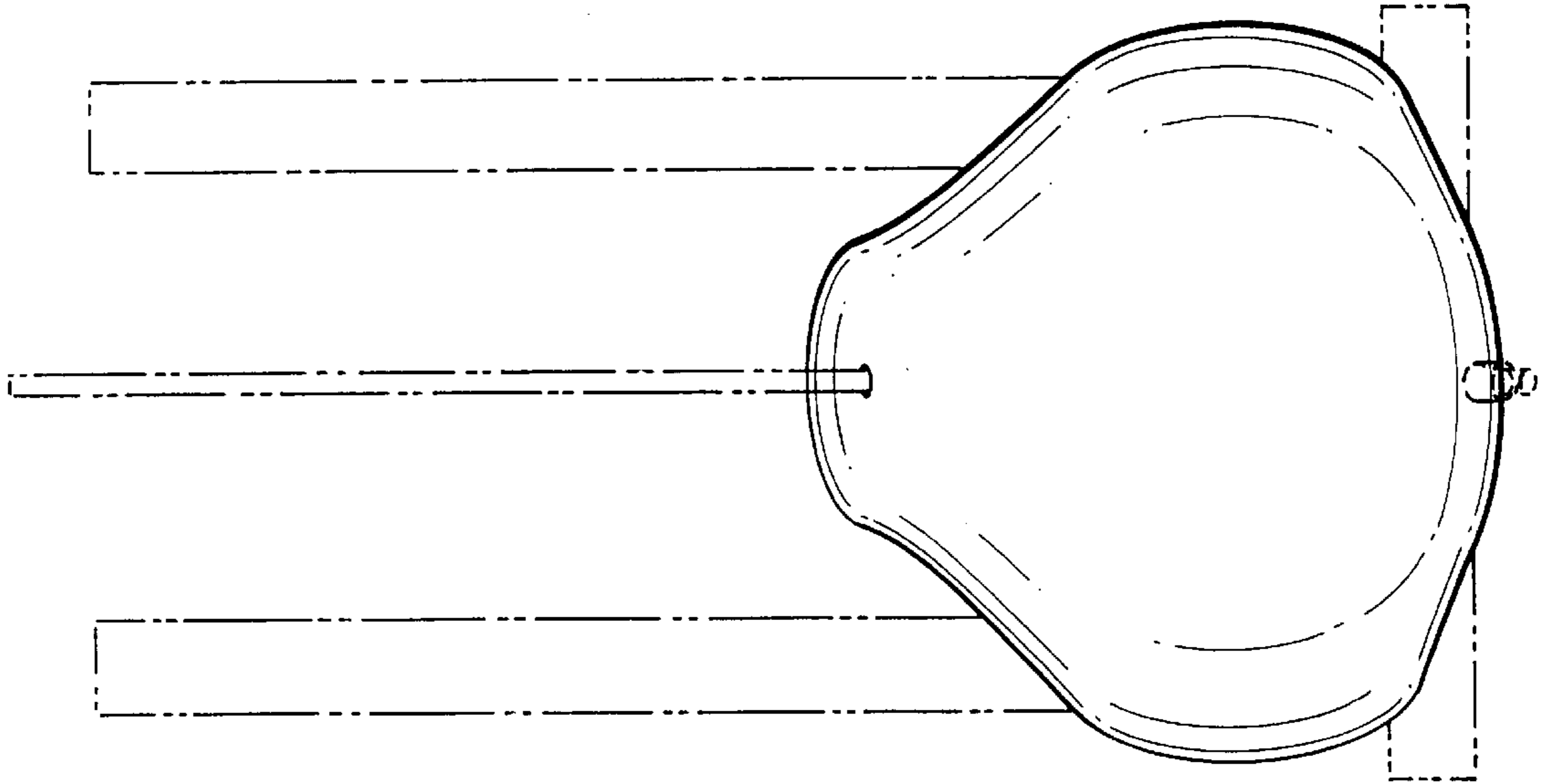


FIG. 2

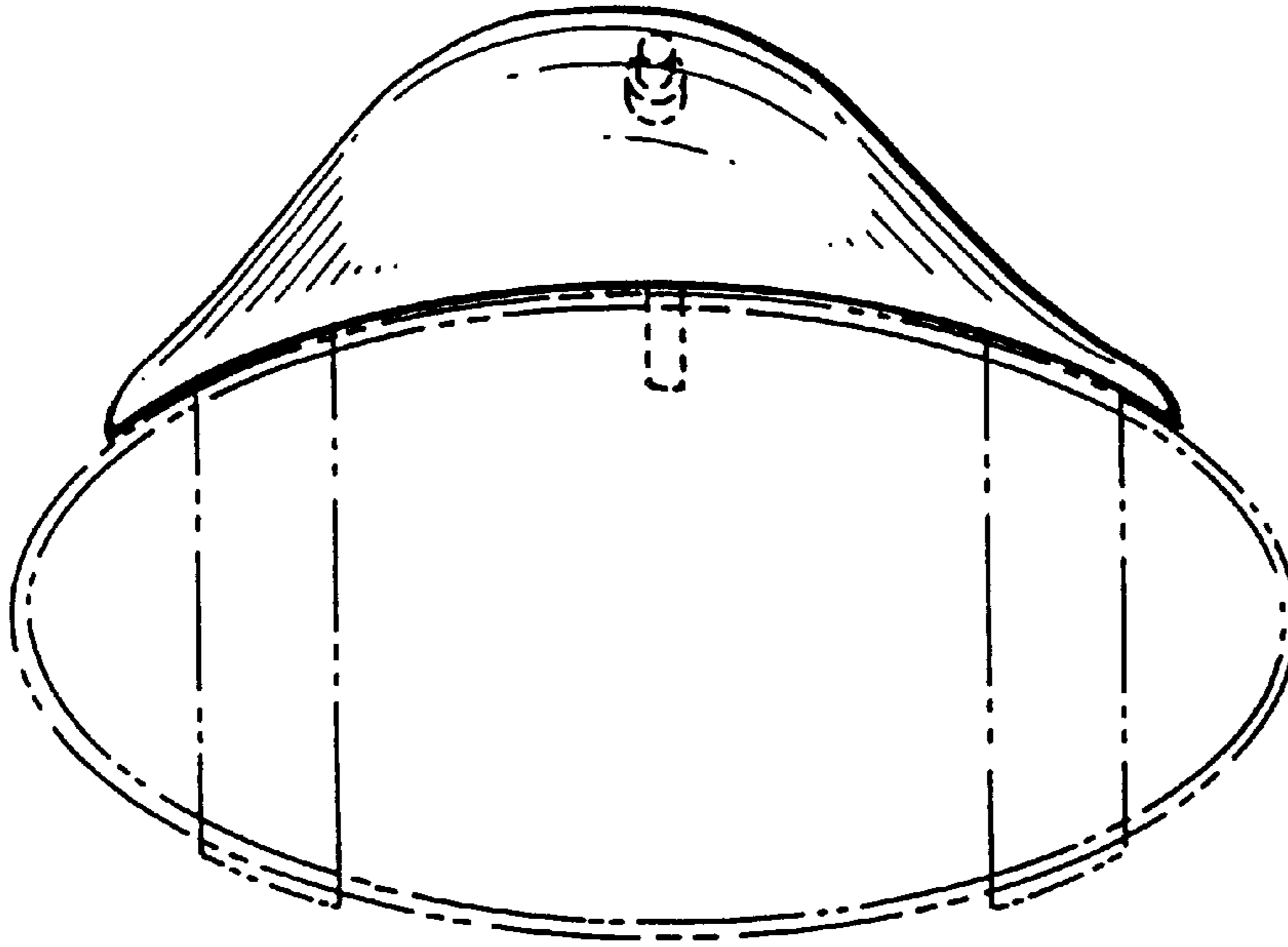


FIG. 5

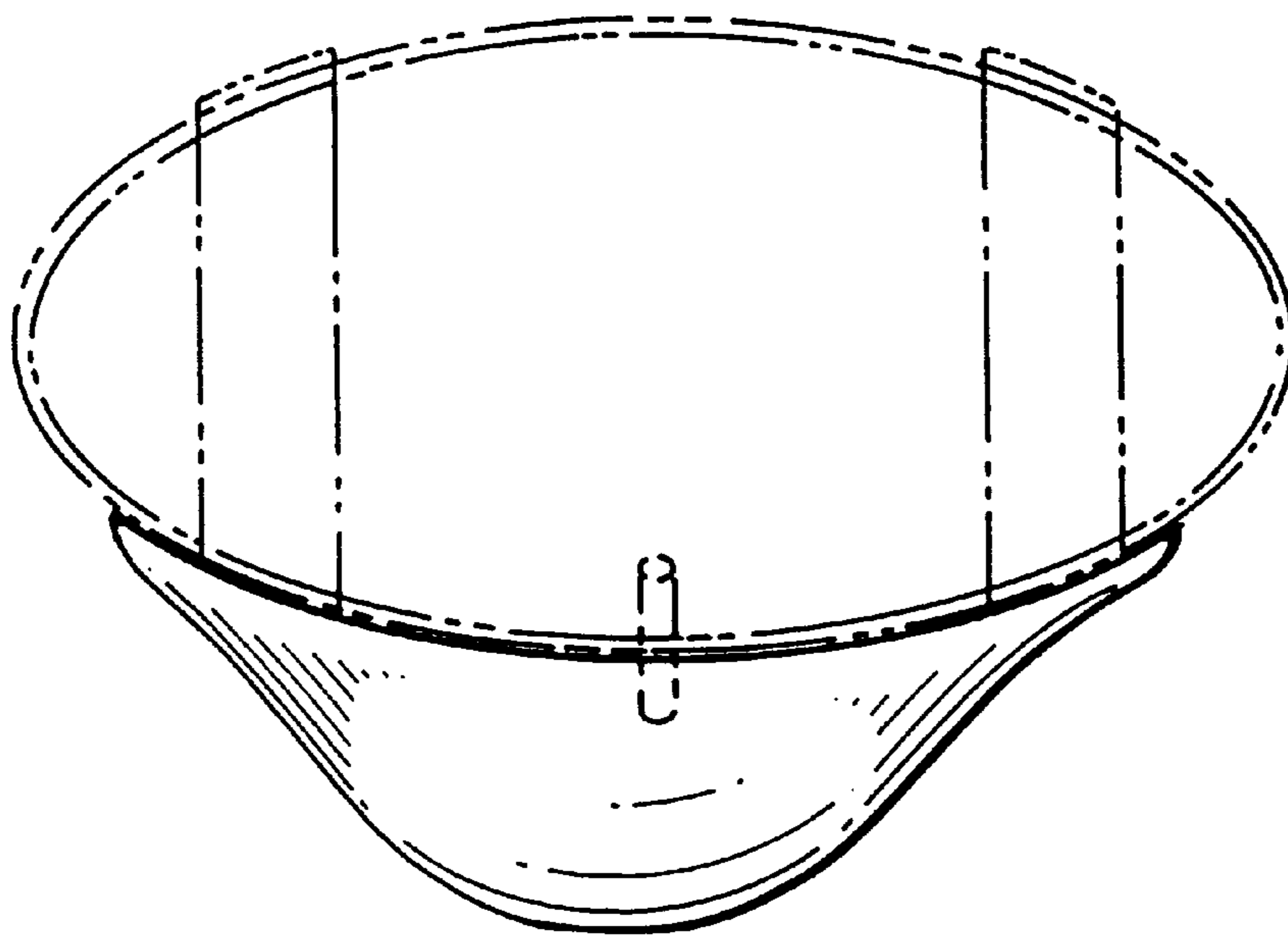


FIG. 4