



US00D426693S

United States Patent [19] Thomsen

[11] **Patent Number: Des. 426,693**
[45] **Date of Patent: ** Jun. 13, 2000**

[54] **PALLET**

[76] Inventor: **Claus Thomsen**, Højvang 4, Aarup, Denmark, DK-5560

[**] Term: **14 Years**

[21] Appl. No.: **29/088,182**

[22] Filed: **Mar. 26, 1998**

[30] Foreign Application Priority Data

Sep. 26, 1997 [DK] Denmark MA 0988 1997

[51] **LOC (7) Cl.** **09-08**

[52] **U.S. Cl.** **D34/38**

[58] **Field of Search** D34/38; 206/595, 206/386, 511; 108/53.1, 53.3, 54.1

[56] References Cited

U.S. PATENT DOCUMENTS

- D. 306,226 2/1990 Jirucha D34/38
- D. 307,966 5/1990 Back D34/38
- D. 320,296 9/1991 Kraus D34/38

- D. 331,470 12/1992 Mitchell et al. D34/38 X
- D. 348,341 6/1994 Costerano D34/38
- 2,523,271 9/1950 Bartel 108/53.1
- 3,807,581 4/1974 Nichols 108/53.1
- 4,597,339 7/1986 McCaffrey et al. 108/53.3 X
- 4,773,547 9/1988 Bell 108/53.1
- 5,242,255 9/1993 Gleffe et al. 108/53.1 X

Primary Examiner—Susan H. Lucas
Assistant Examiner—Cynthia E. Ramirez
Attorney, Agent, or Firm—Merchant, Gould, Smith, Edell, Welter & Schmidt, P.A.

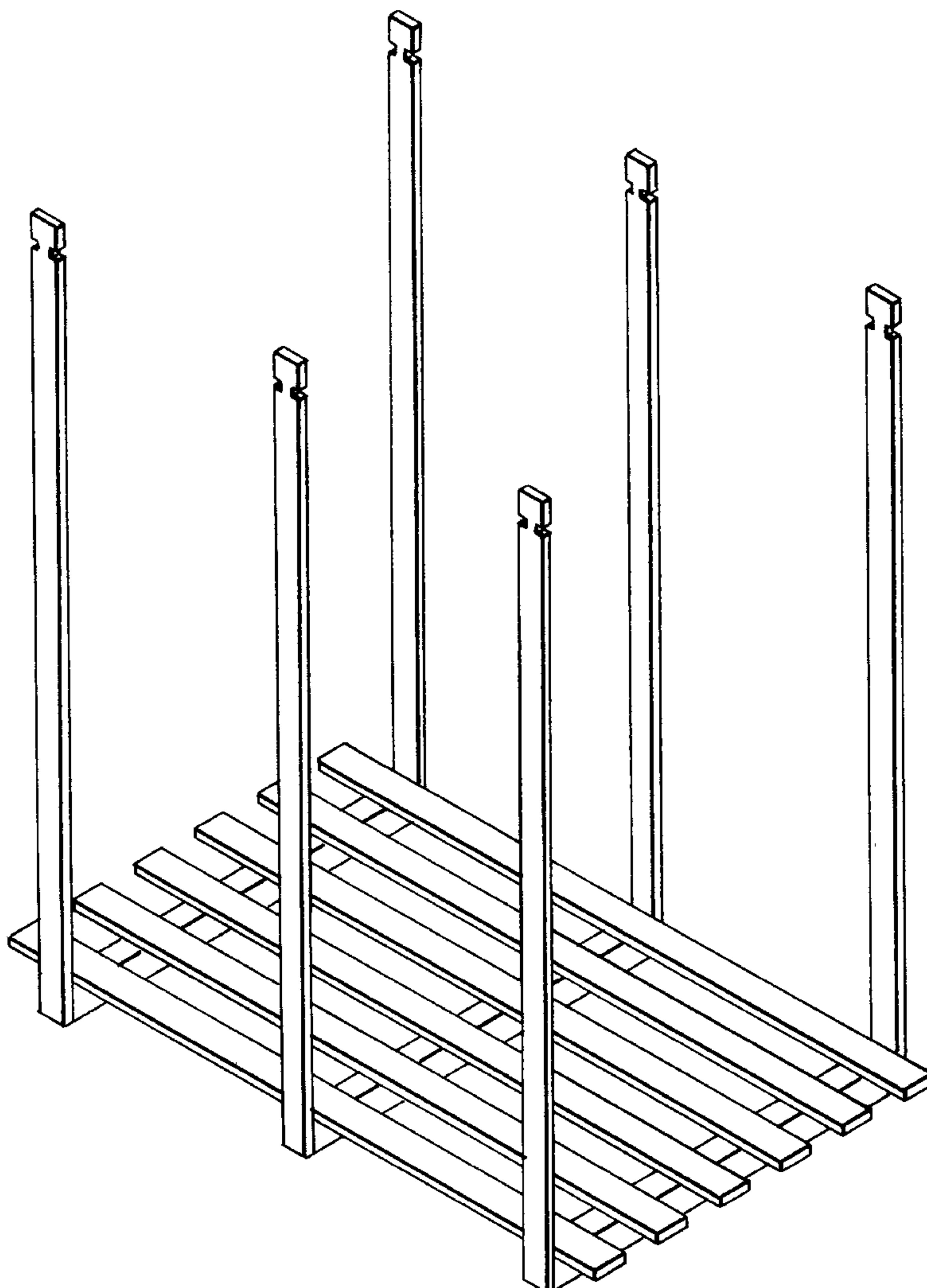
[57] CLAIM

The ornamental design for a pallet, as shown and described.

DESCRIPTION

FIG. 1 is a side view of a pallet showing my new design, the other side being a mirror image;
FIG. 2 is an end view, the other end being a mirror image thereof;
FIG. 3 is a top view thereof; and,
FIG. 4 is a top, side perspective view thereof.

1 Claim, 4 Drawing Sheets



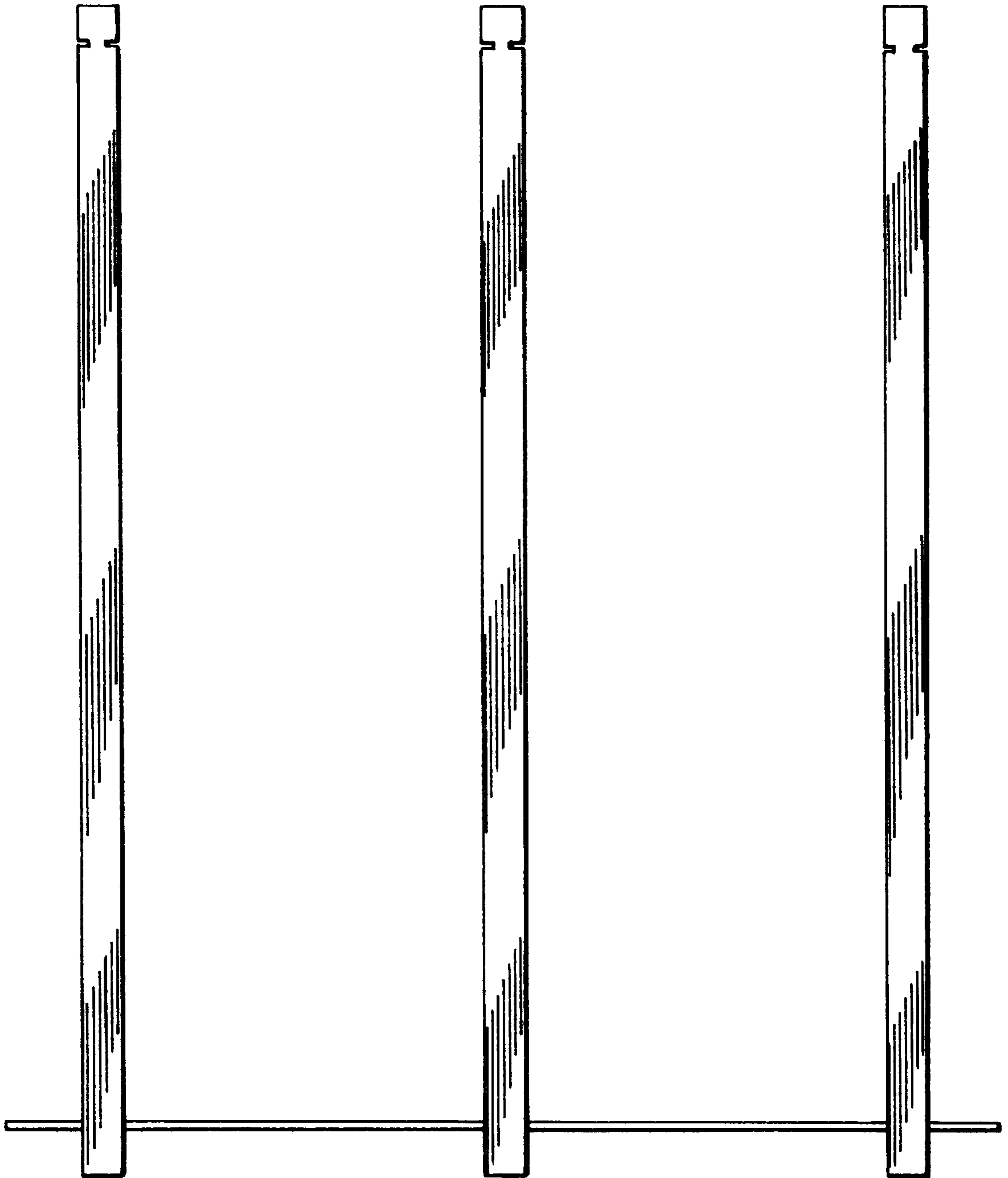


FIG. 1

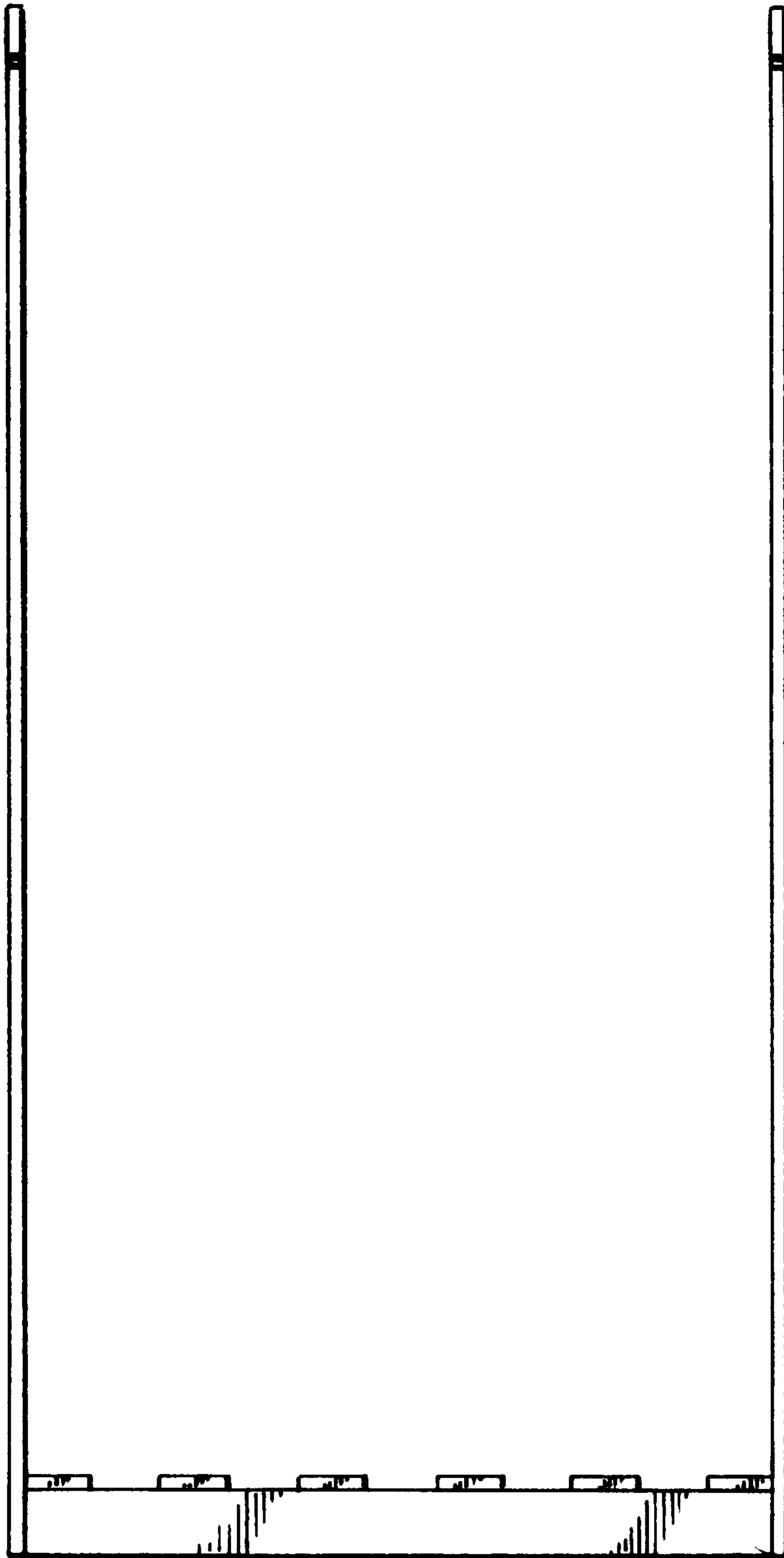


FIG. 2

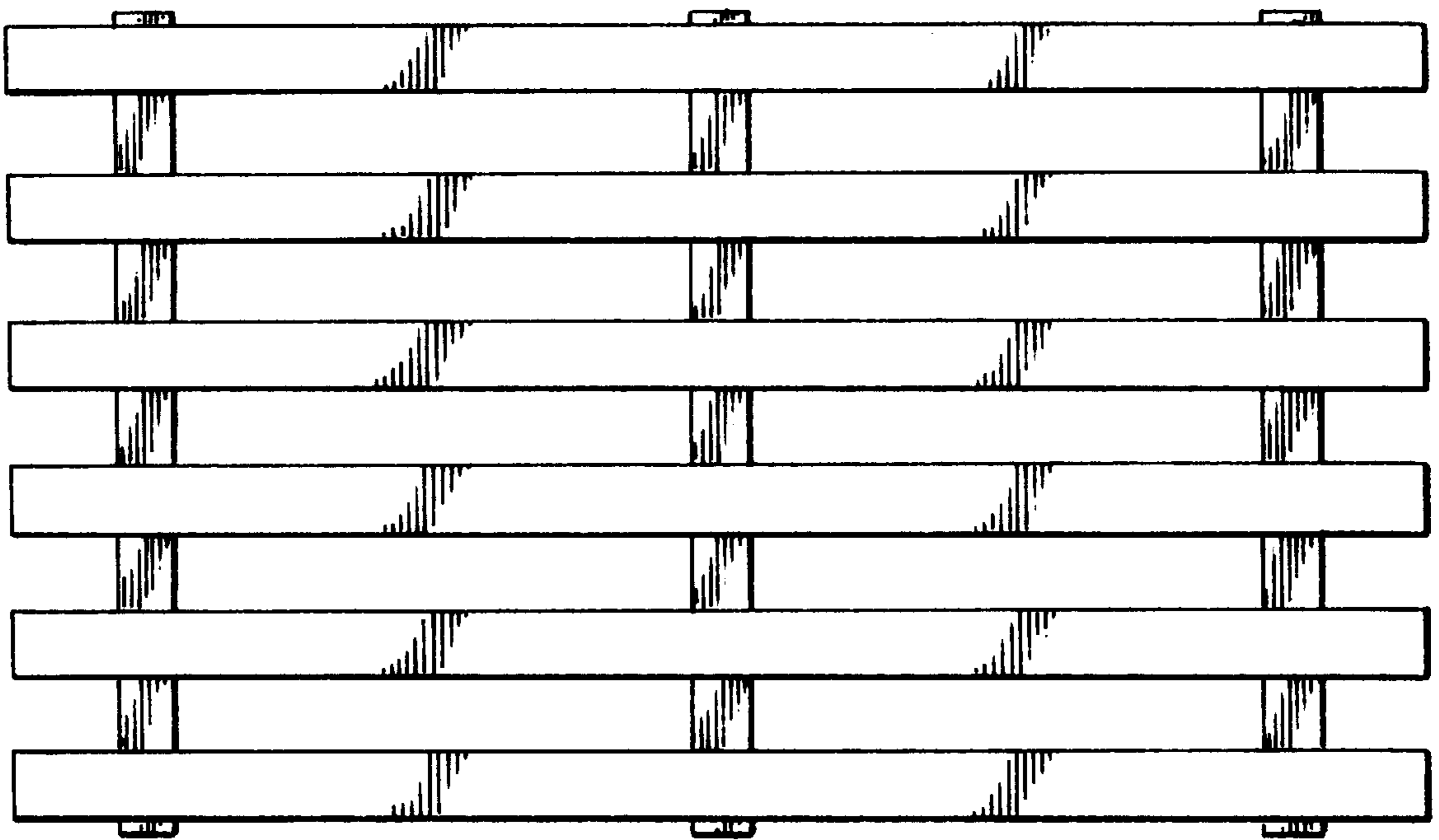


FIG. 3

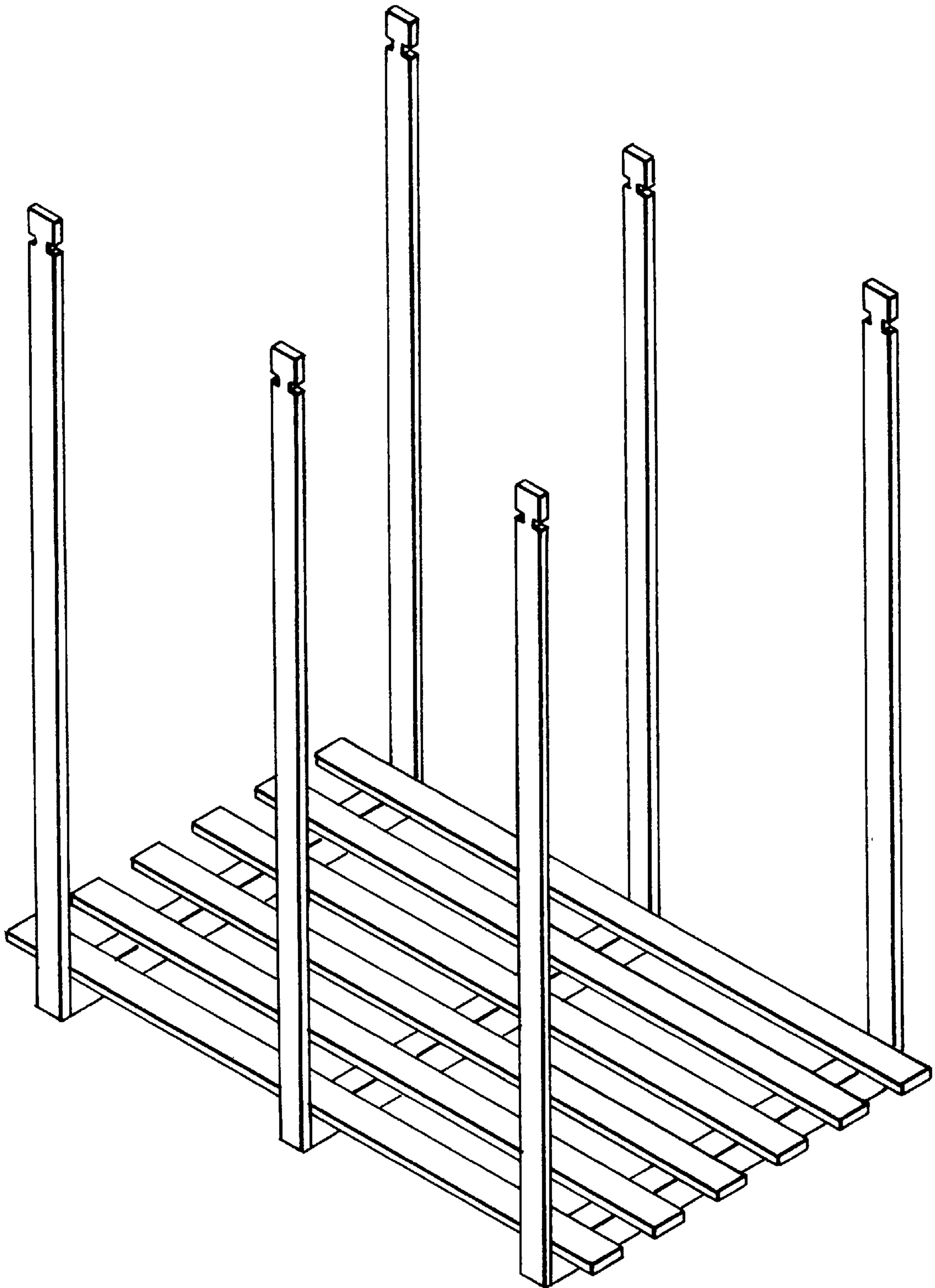


FIG. 4