



US00D426691S

United States Patent [19]

[11] Patent Number: Des. 426,691

Johnson et al.

[45] Date of Patent: ** Jun. 13, 2000

[54] SERVICE CART

DESCRIPTION

[75] Inventors: **Michael W. Johnson**, Saint Helens;
Christopher J. Engler, Portland, both
of Oreg.

[73] Assignee: **Boyd Coffee Company**, Portland, Oreg.

[**] Term: **14 Years**

[21] Appl. No.: **29/104,652**

[22] Filed: **May 10, 1999**

[51] **LOC (7) Cl.** **12-02**

[52] **U.S. Cl.** **D34/21; D34/17**

[58] **Field of Search** **D34/12-27; D6/477-479;**
D18/59, 91, 161; 211/135, 153, 186-190,
194, 50; 280/47.34, 47.35, 79.3; 312/223.1;
248/174, 176.1

FIG. 1 is an isometric view of a service cart showing our new design;

FIG. 2 is a front view of the service cart shown in FIG. 1, the rear view being a mirror image thereof;

FIG. 3 is a right side view of the service cart shown in FIG. 1, the left side view being a mirror image thereof;

FIG. 4 is a top view of the service cart shown in FIG. 1;

FIG. 5 is a bottom view of the service cart shown in FIG. 1;

FIG. 6 is an isometric view of a second embodiment service cart constructed in accordance with the present invention, service cart environment being shown in dashed lines;

FIG. 7 is a front view of the service cart shown in FIG. 6, the rear view being a mirror image thereof;

FIG. 8 is a right side view of the service cart shown in FIG. 6, the left side view being a mirror image thereof;

FIG. 9 is a top view of the service cart shown in FIG. 6;

FIG. 10 is a bottom view of the service cart shown in FIG. 6;

FIG. 11 is an isometric view of the first alternative embodiment service cart shown in FIG. 6, the service cart environment having been eliminated;

FIG. 12 is an isometric view of a third embodiment service cart constructed in accordance with the present invention;

FIG. 13 is a front view of the service cart shown in FIG. 12, the rear view being a mirror image thereof;

FIG. 14 is a right side view of the service cart shown in FIG. 12, the left side view being a mirror image thereof;

FIG. 15 is a top view of the service cart shown in FIG. 12; and,

FIG. 16 is a bottom view of the service cart shown in FIG. 12.

[56] References Cited

U.S. PATENT DOCUMENTS

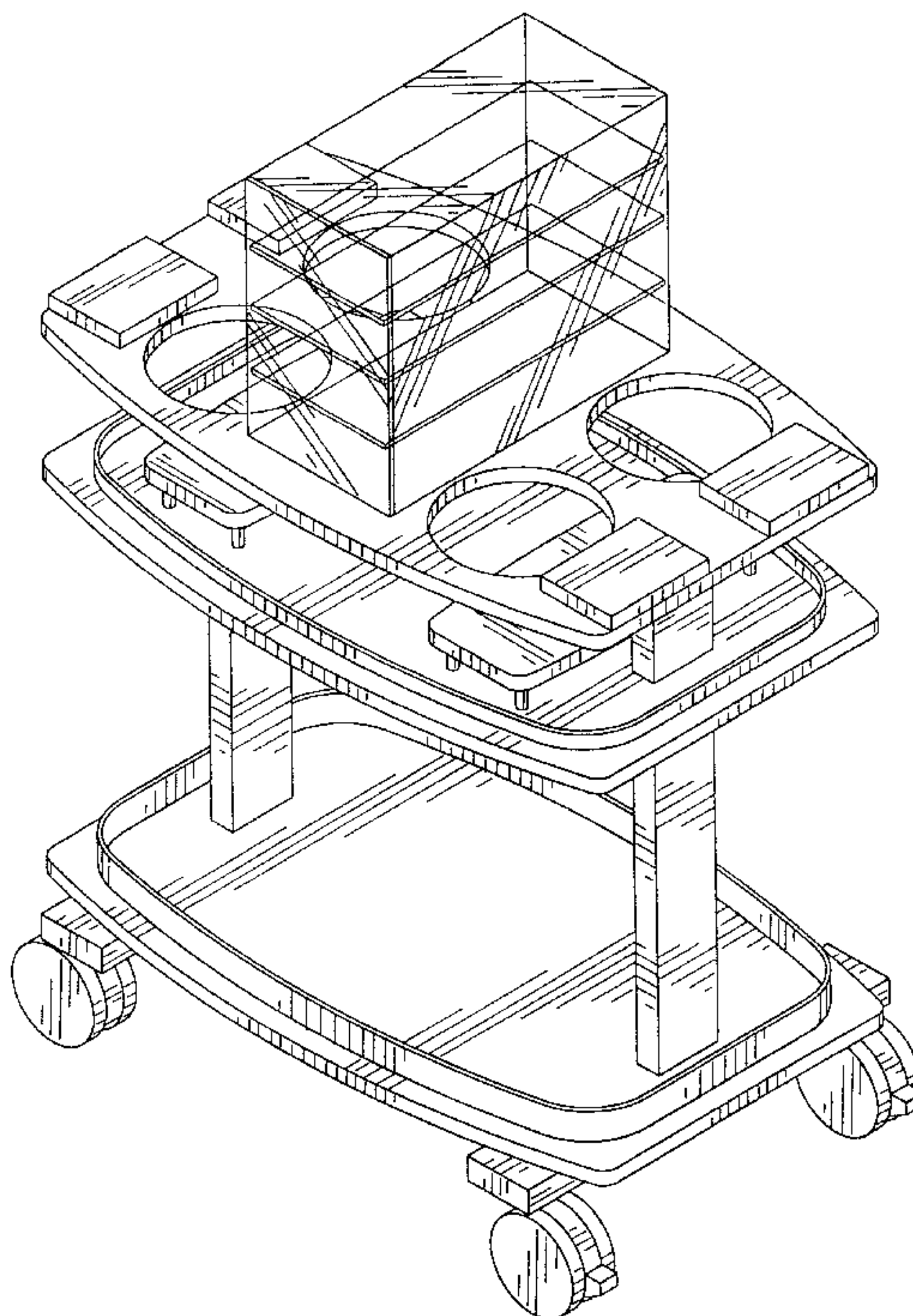
D. 314,295	2/1991	Boyd .	
D. 316,940	5/1991	Boyd .	
D. 326,024	5/1992	Boyd et al. .	
D. 341,010	11/1993	Johnson .	
D. 371,879	7/1996	Linder	D34/21
D. 403,536	1/1999	Olson et al.	D6/479
D. 405,580	2/1999	Vanderminde	D34/24

Primary Examiner—Kay H. Chin
Attorney, Agent, or Firm—Kolisch Hartwell Dickinson
McCormack & Heuser

[57] CLAIM

The ornamental design for a service cart, as shown and described.

1 Claim, 10 Drawing Sheets



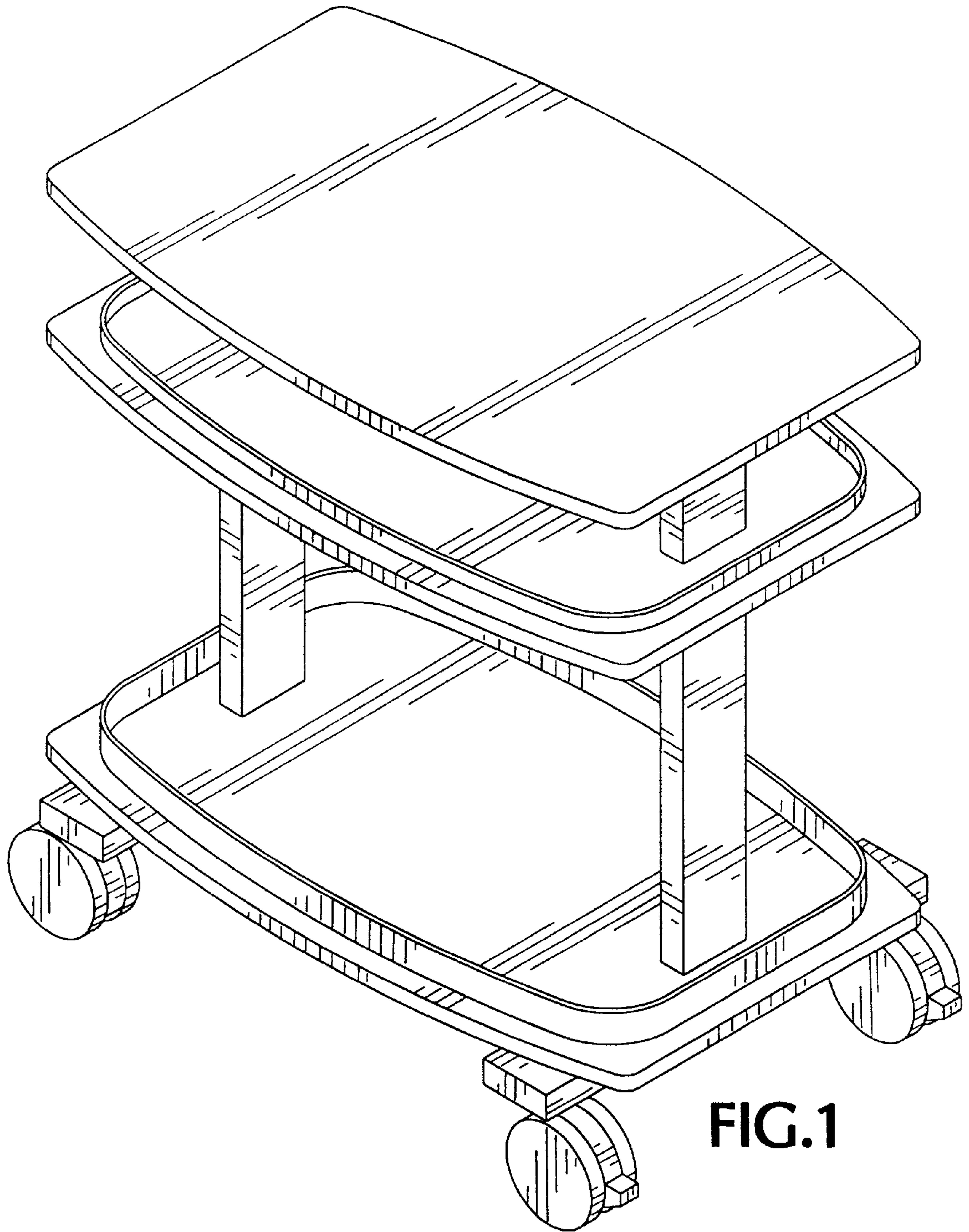


FIG.1



FIG. 2

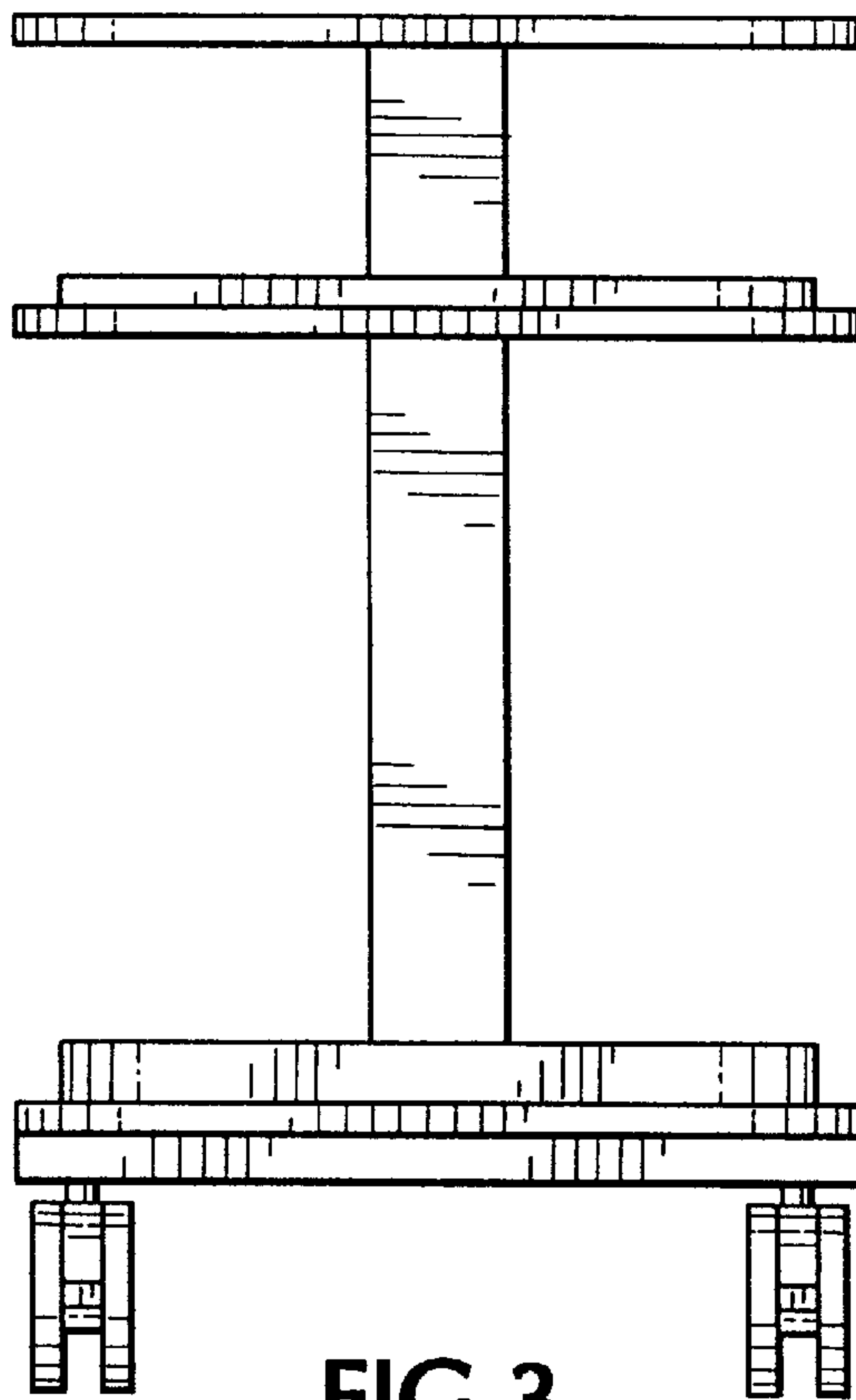


FIG. 3

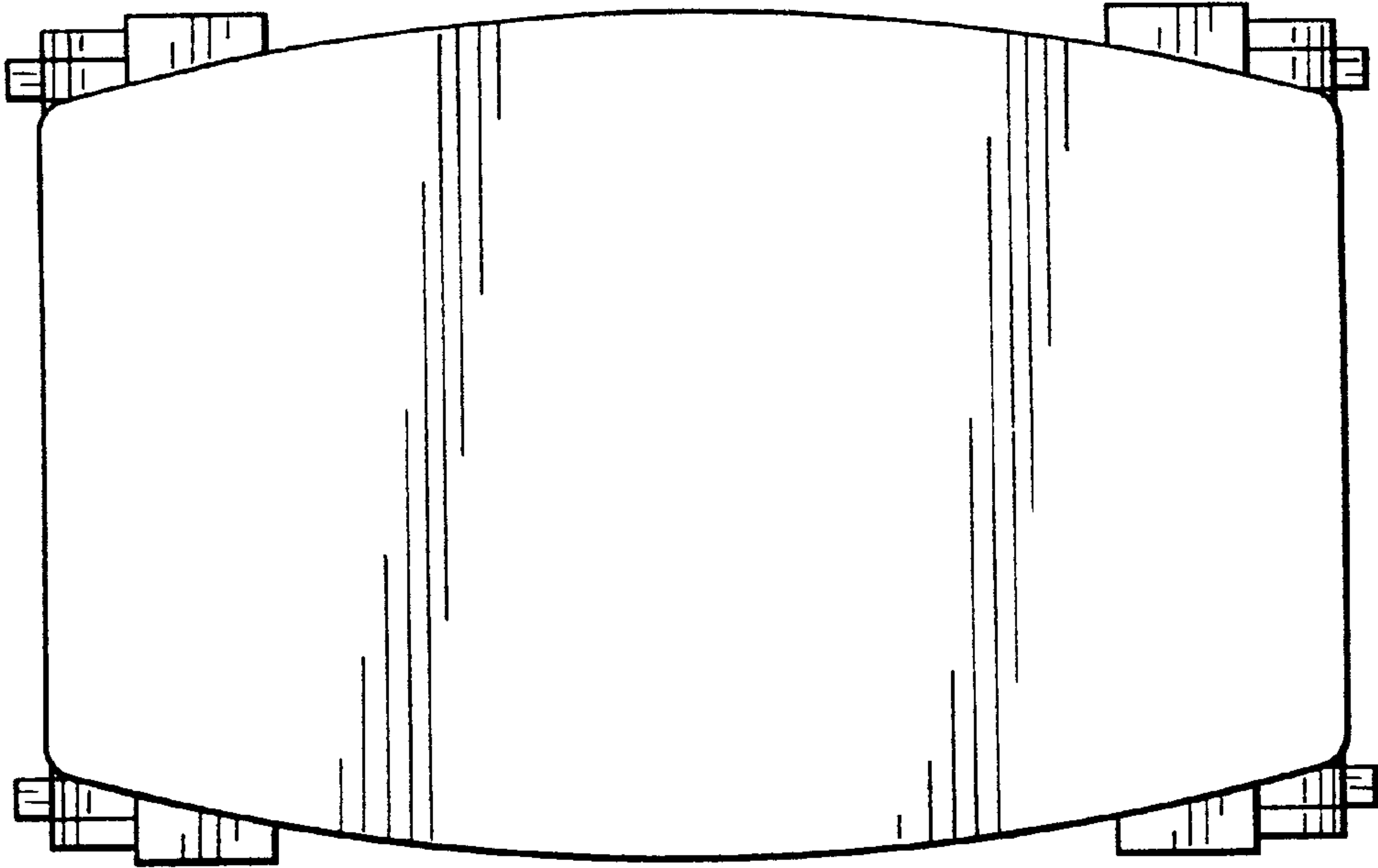


FIG. 4

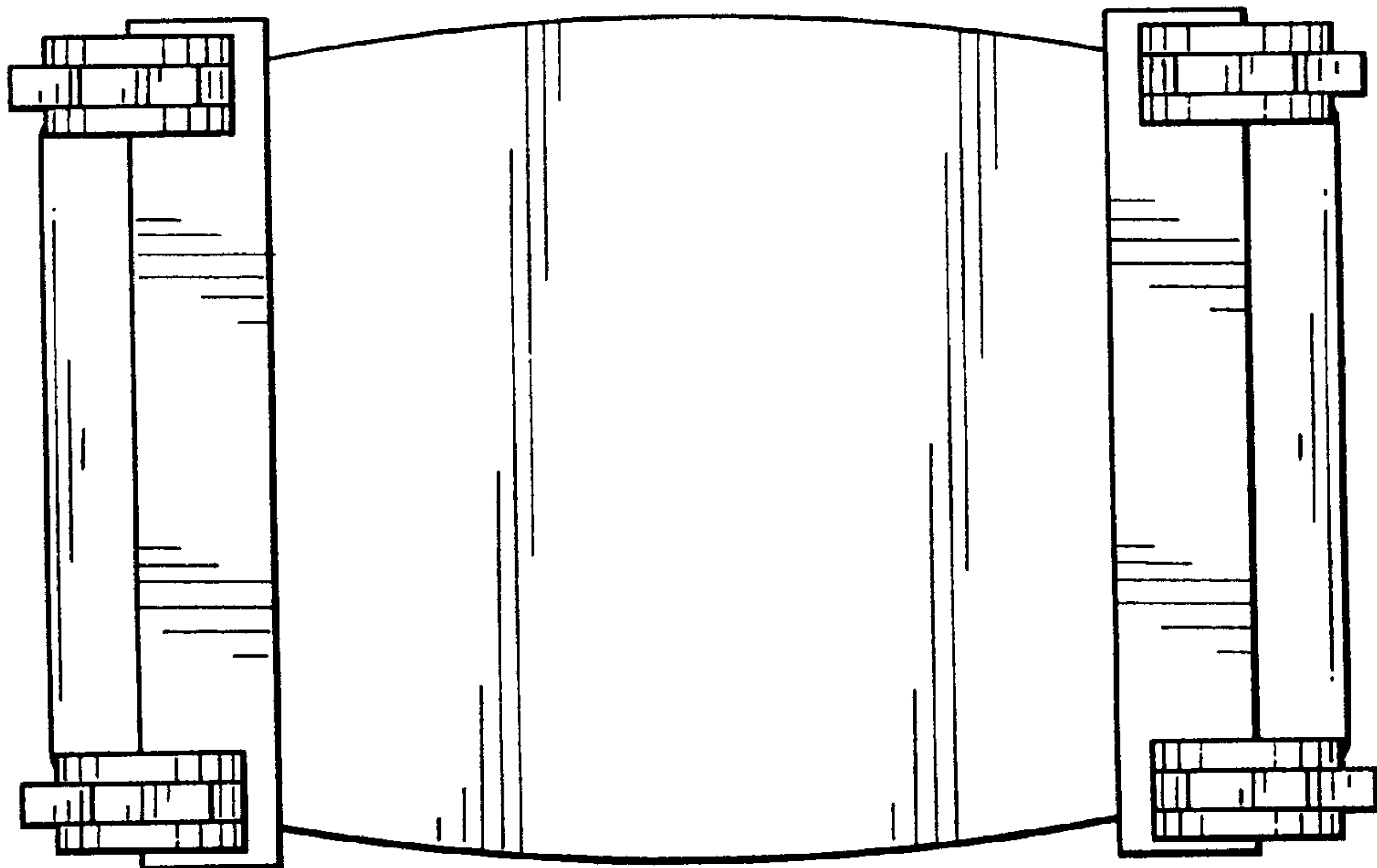


FIG. 5

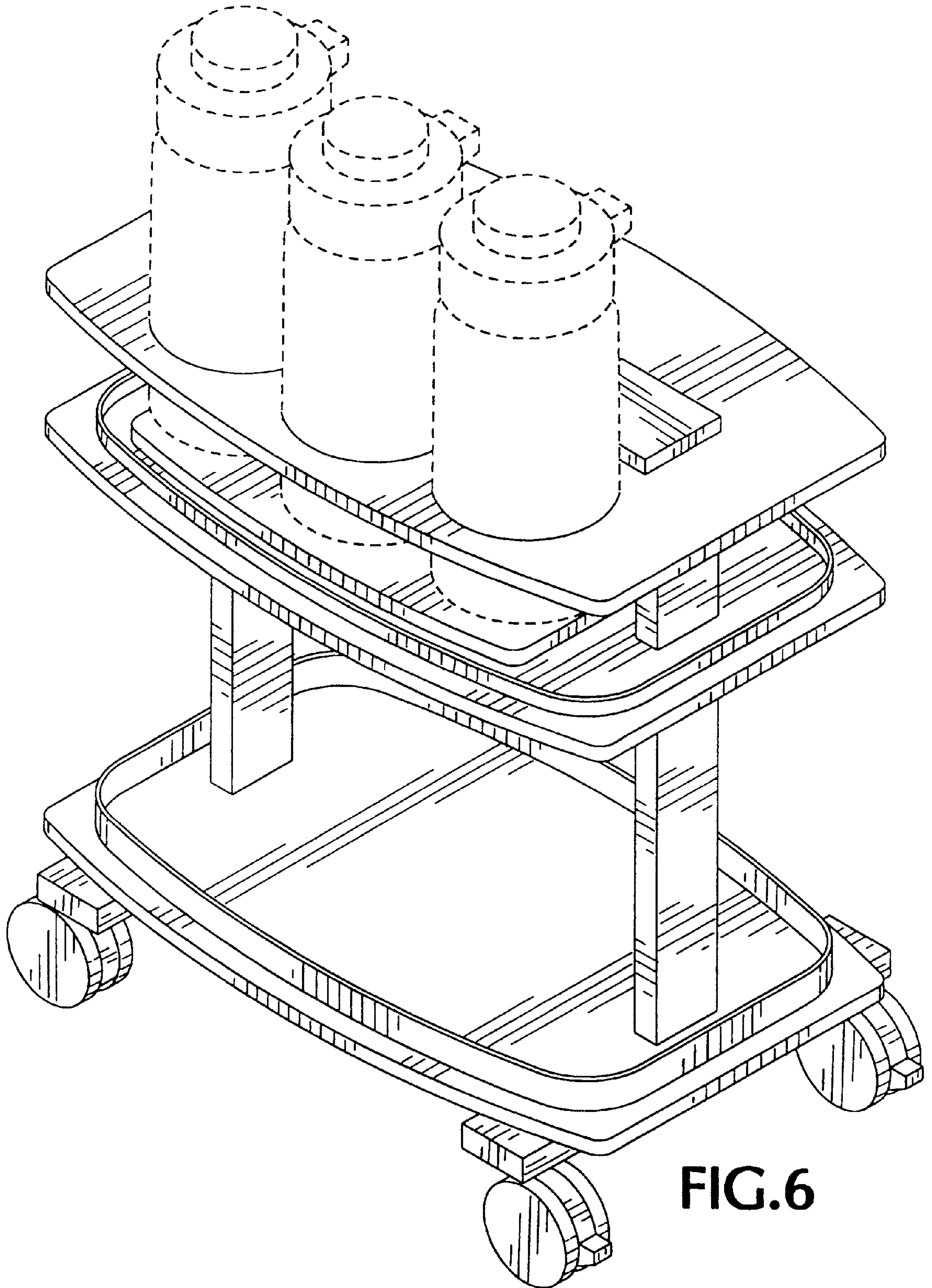


FIG.6

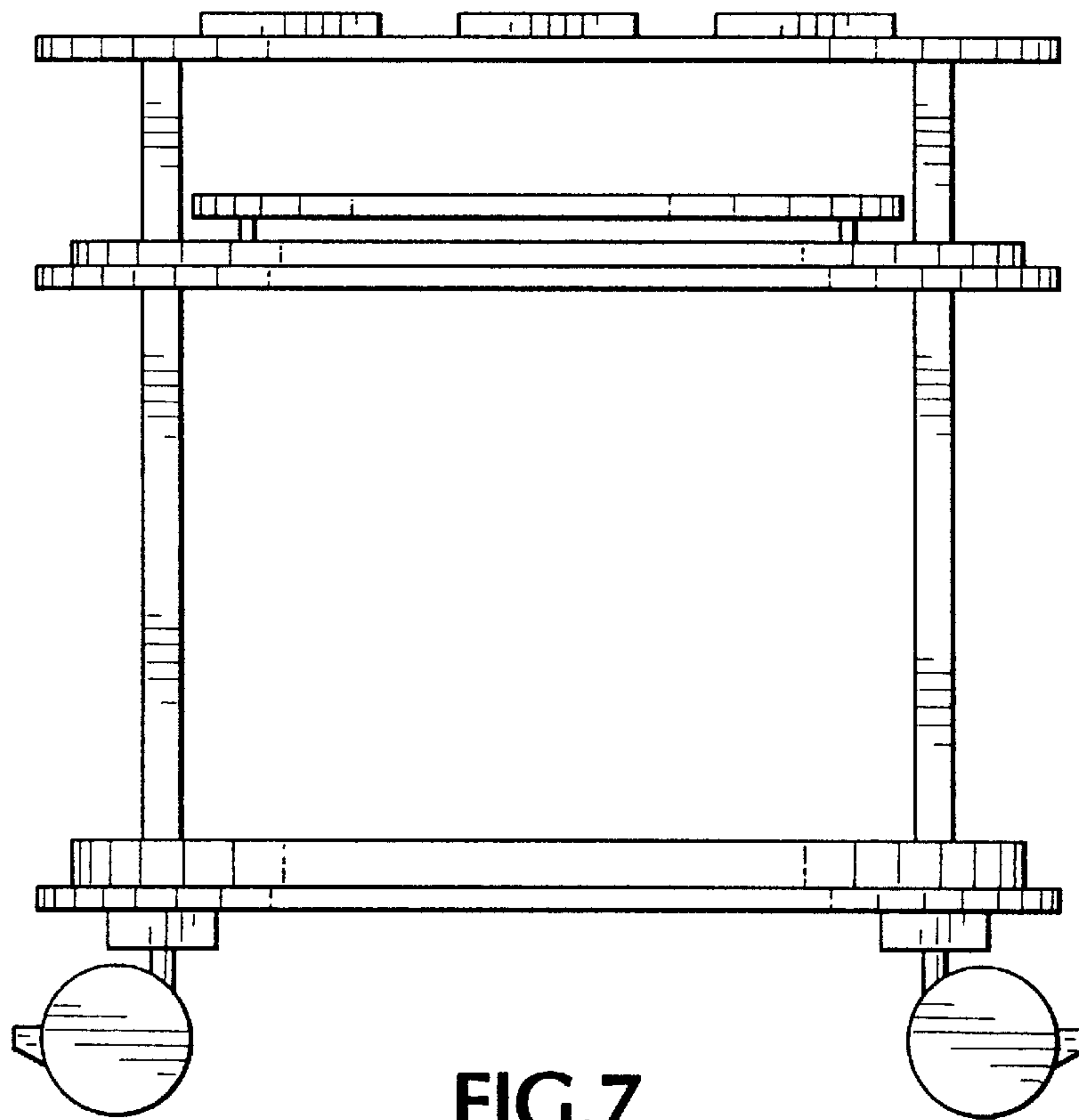


FIG. 7

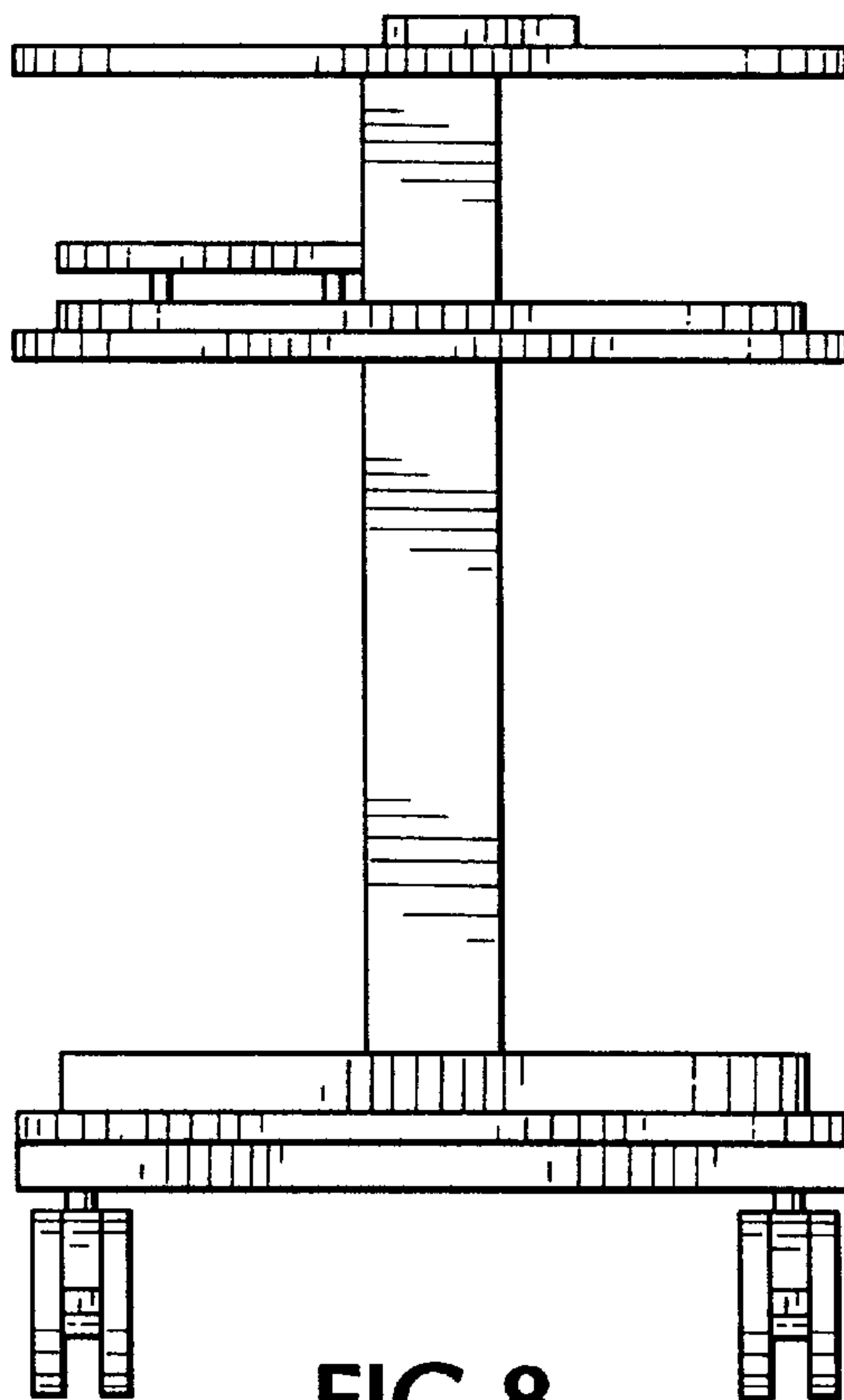


FIG. 8

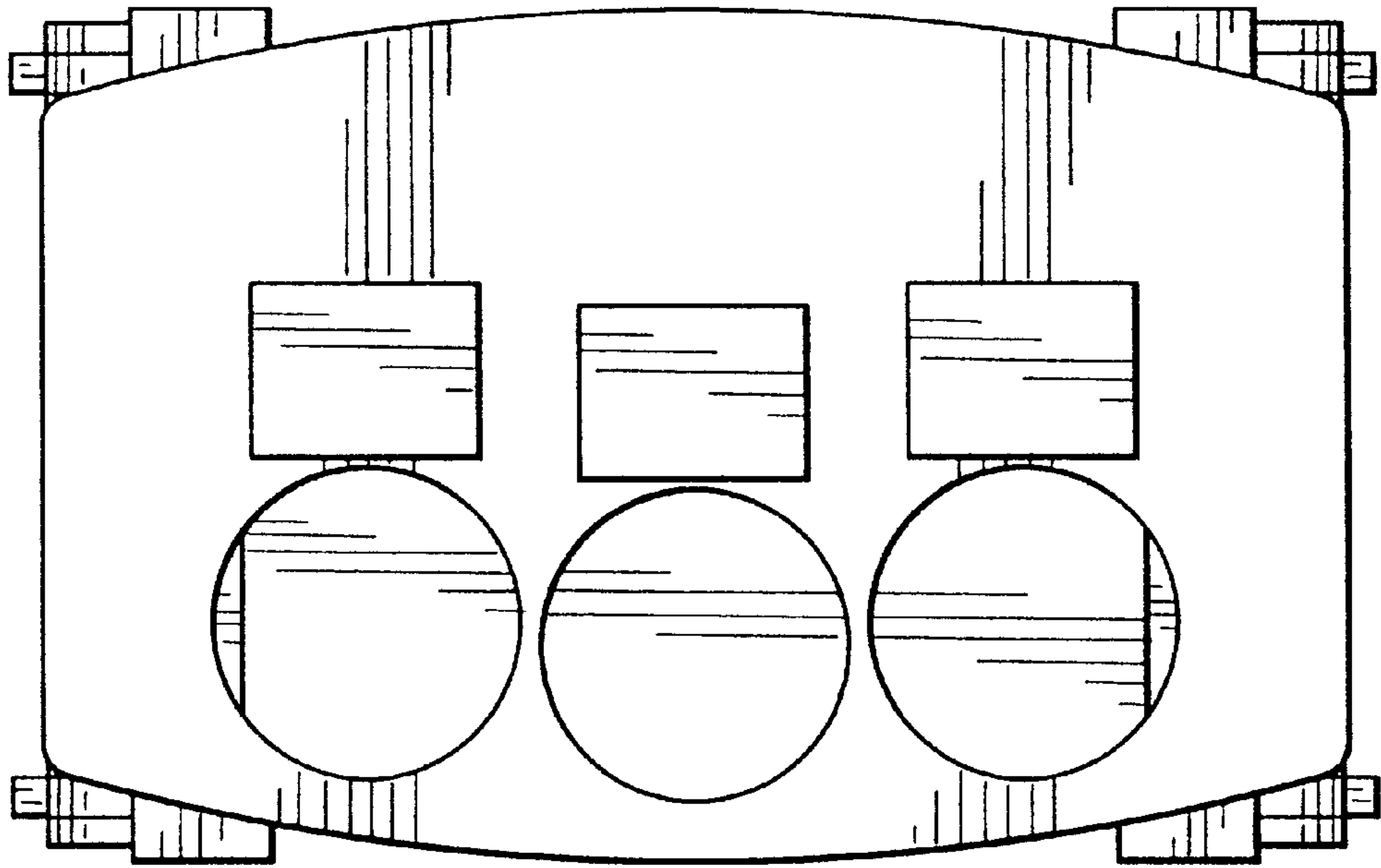


FIG. 9

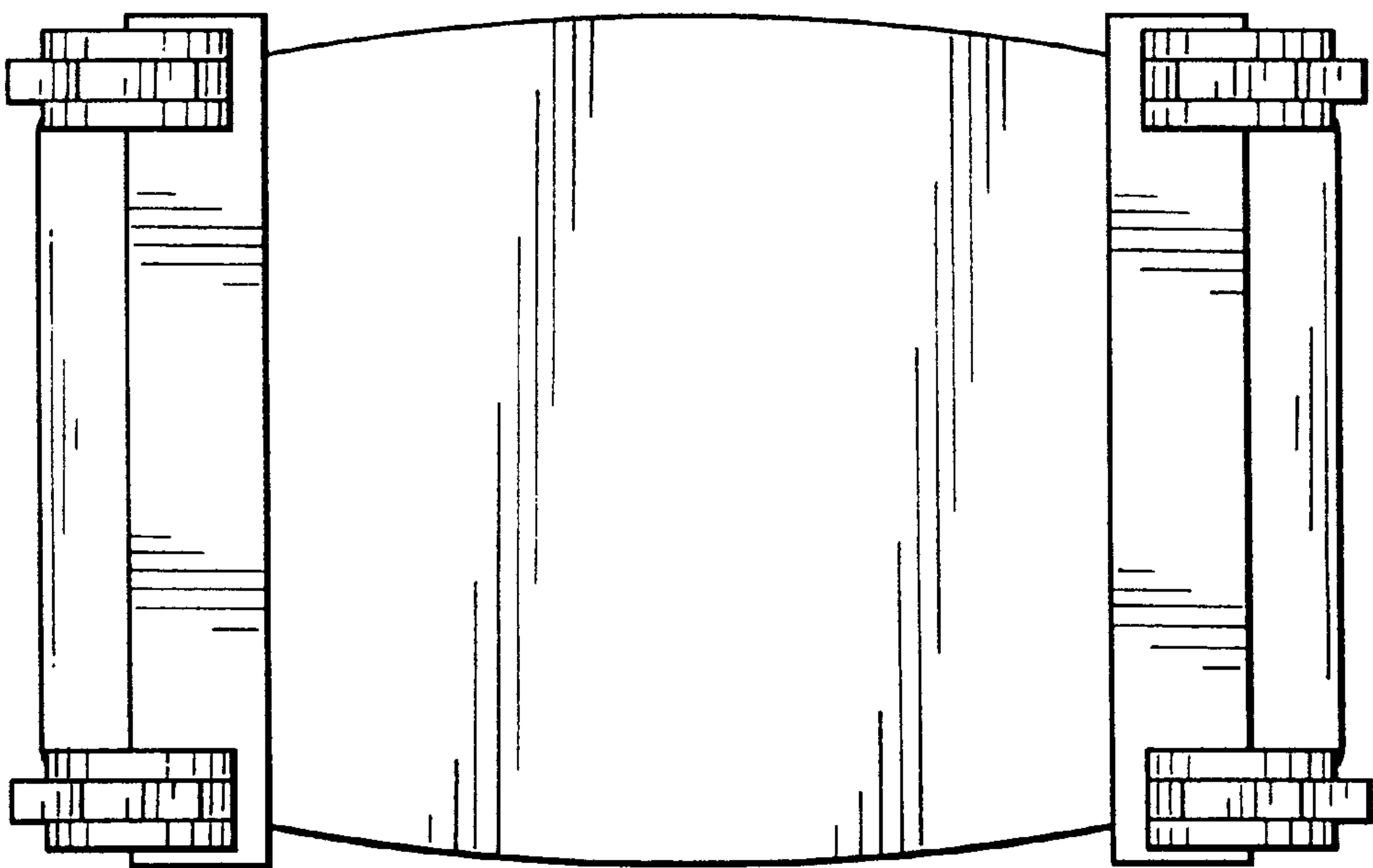


FIG. 10

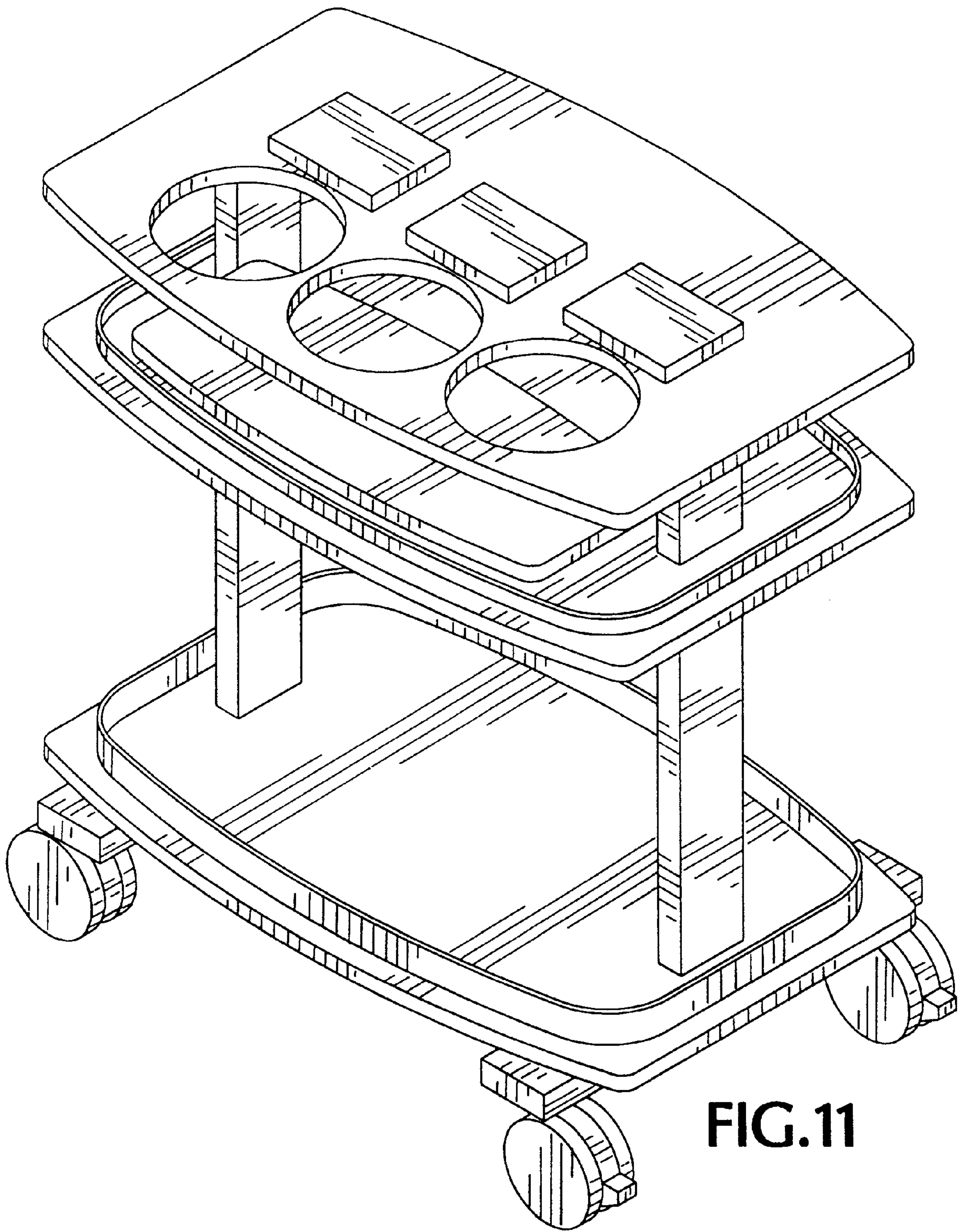


FIG. 11

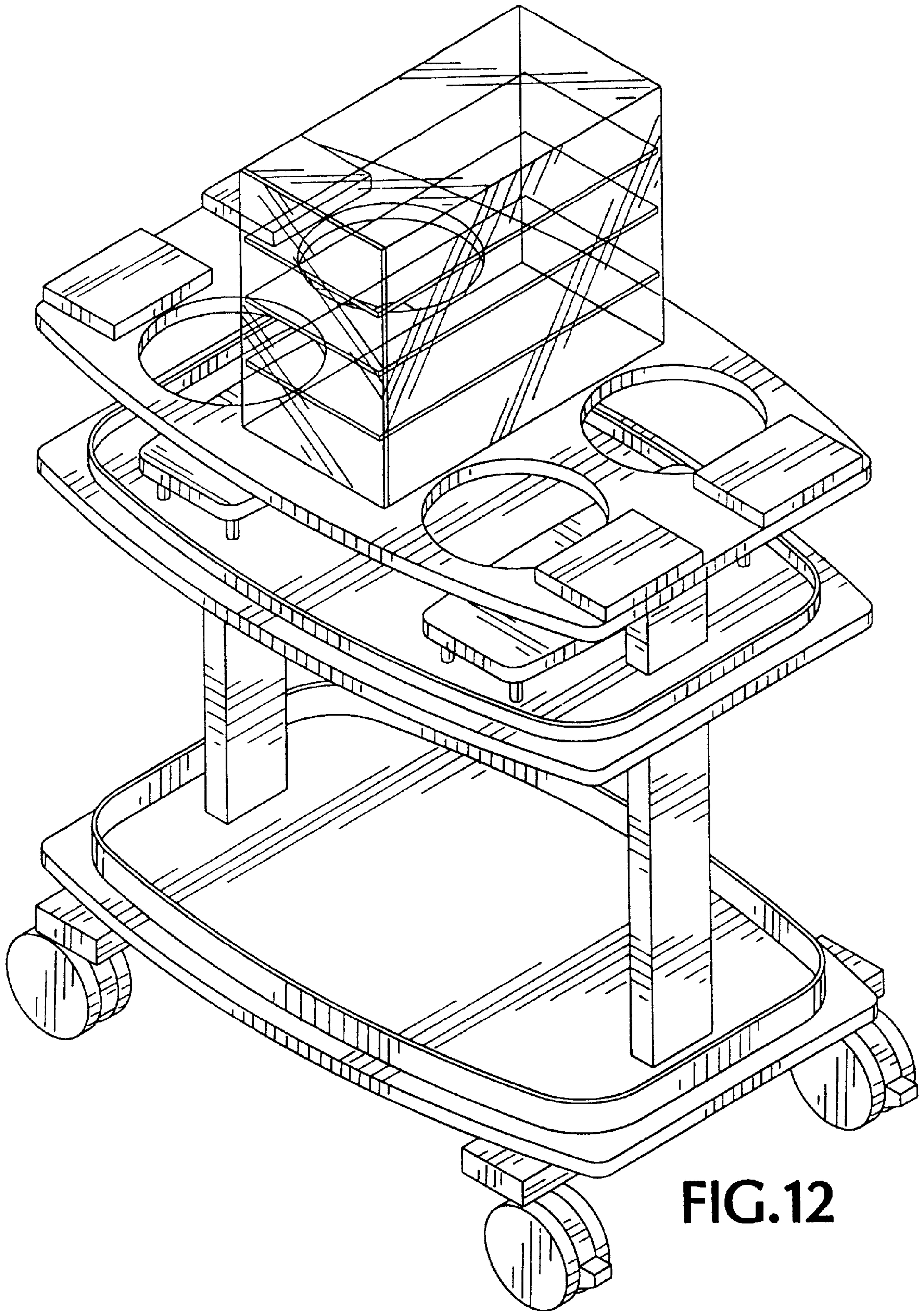


FIG. 12

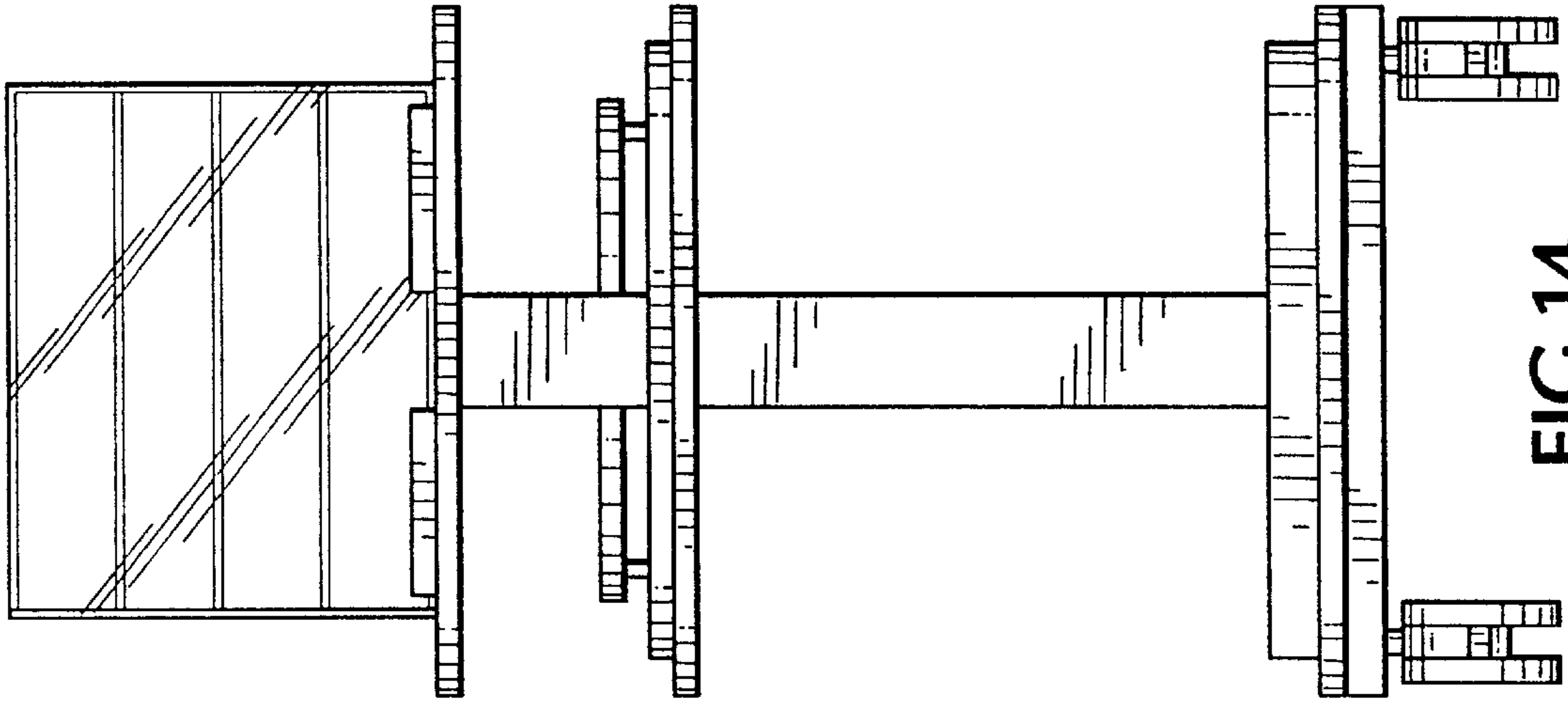


FIG.14

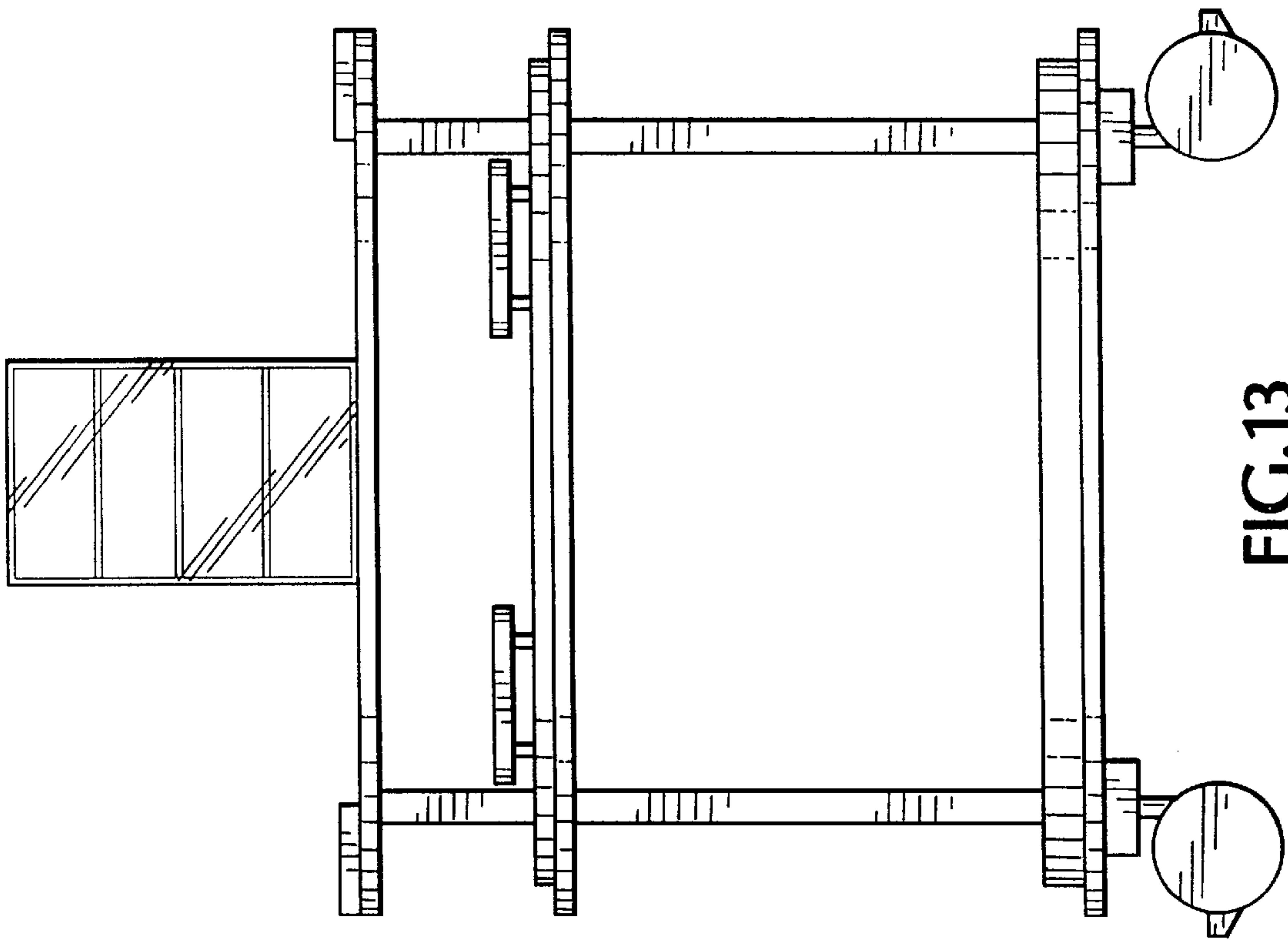


FIG.13

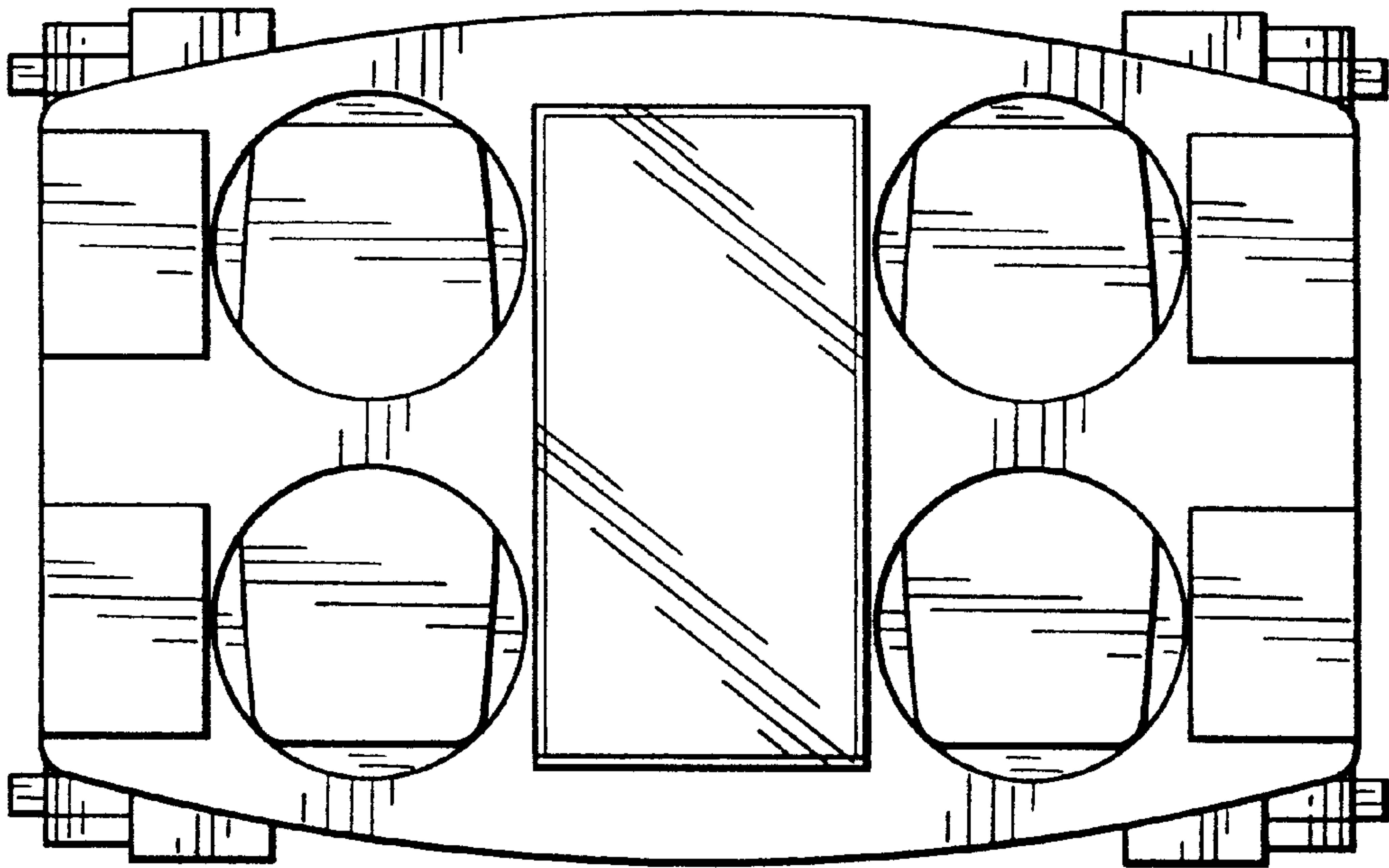


FIG. 15

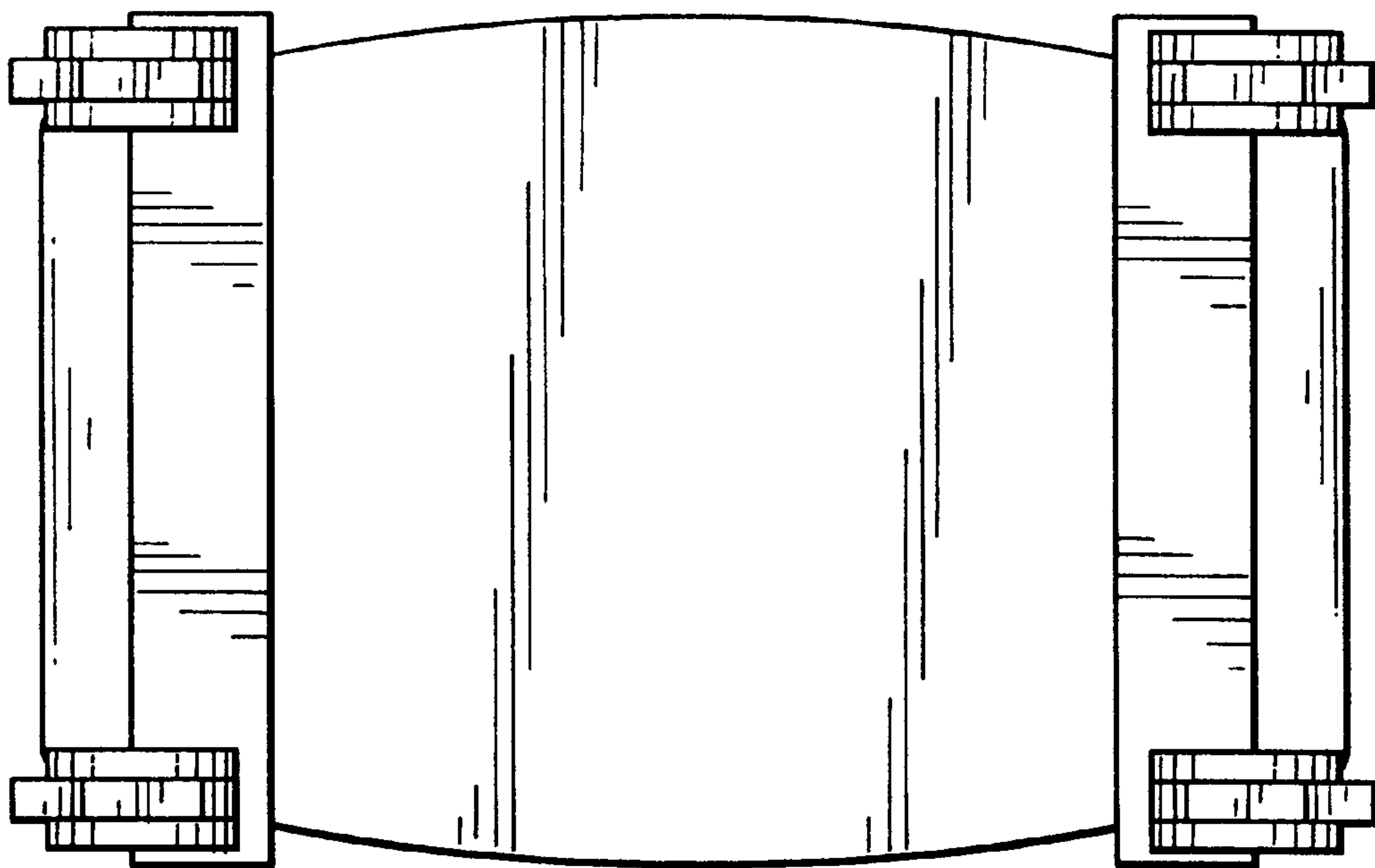


FIG. 16