



US00D426686S

United States Patent [19]

[11] Patent Number: **Des. 426,686**

Clausen et al.

[45] Date of Patent: **** Jun. 13, 2000**

[54] **AUTOMATIC WASHER SPIN BASKET**

[75] Inventors: **Roger Bruce Clausen**, Douglas, Mich.;
John A. Gressman, Clyde, Ohio;
Philip Arnold Mundy, Bellevue, Ohio;
William Calvin Schieferstein,
Monroeville, Ohio; **David A. Beard**,
Fremont, Ohio

D. 102,572	12/1936	Morgenstern	D32/29
D. 110,973	8/1938	McCabe	D32/29
D. 110,974	8/1938	McCabe	D32/29
D. 174,702	5/1955	Oberg	D32/29
2,716,820	9/1955	Bourner	34/82
3,848,437	11/1974	Rottering	68/12 R
4,888,965	12/1989	Fanson	68/23.4
5,287,989	2/1994	Luther	220/676
5,546,771	8/1996	Bonar	211/181 X
5,673,493	10/1997	Kazakis et al.	34/82

[73] Assignee: **Whirlpool Corporation**, Benton Harbor, Mich.

Primary Examiner—Mitchell Siegel
Attorney, Agent, or Firm—Thomas J. Roth; Joel M. Van Winkle; Robert O. Rice

[**] Term: **14 Years**

[21] Appl. No.: **29/078,408**

[57] CLAIM

[22] Filed: **Oct. 17, 1997**

The ornamental design for an automatic washer spin basket, as shown and described.

[51] LOC (7) Cl. **15-05**

DESCRIPTION

[52] U.S. Cl. **D32/29**

FIG. 1 is a perspective view of an automatic washer spin basket showing our new design; and, FIG. 2 is a side elevational view thereof.

[58] Field of Search D32/29; 34/82;
68/23 R, 23.3, 23.4

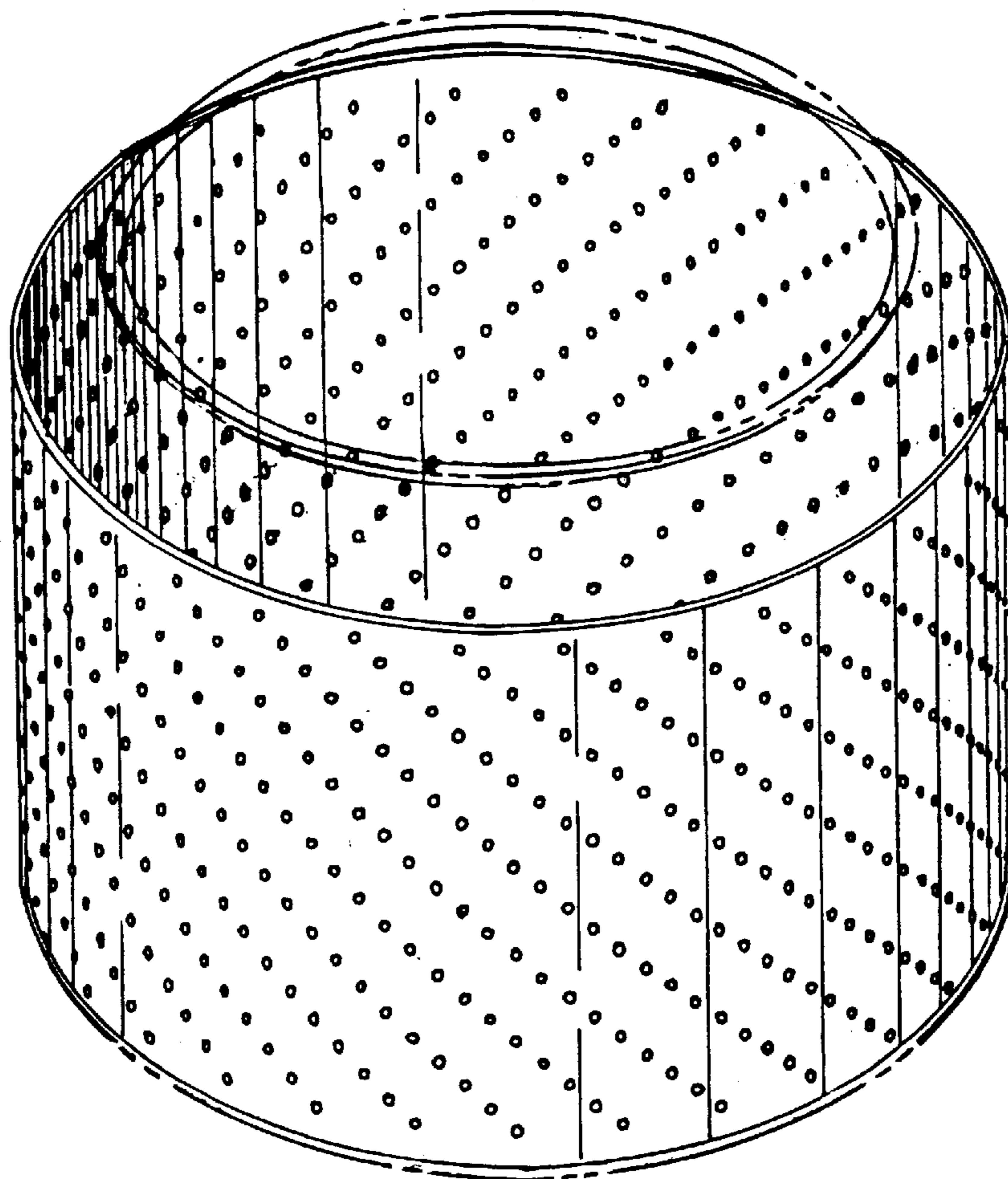
The broken line showing of the top and bottom of the automatic washer spin basket is for illustrative purposes only and forms no part of the claimed design.

[56] References Cited

U.S. PATENT DOCUMENTS

D. 87,345	7/1932	Labisky	D32/29
D. 100,573	7/1936	McCabe	D32/29

1 Claim, 1 Drawing Sheet



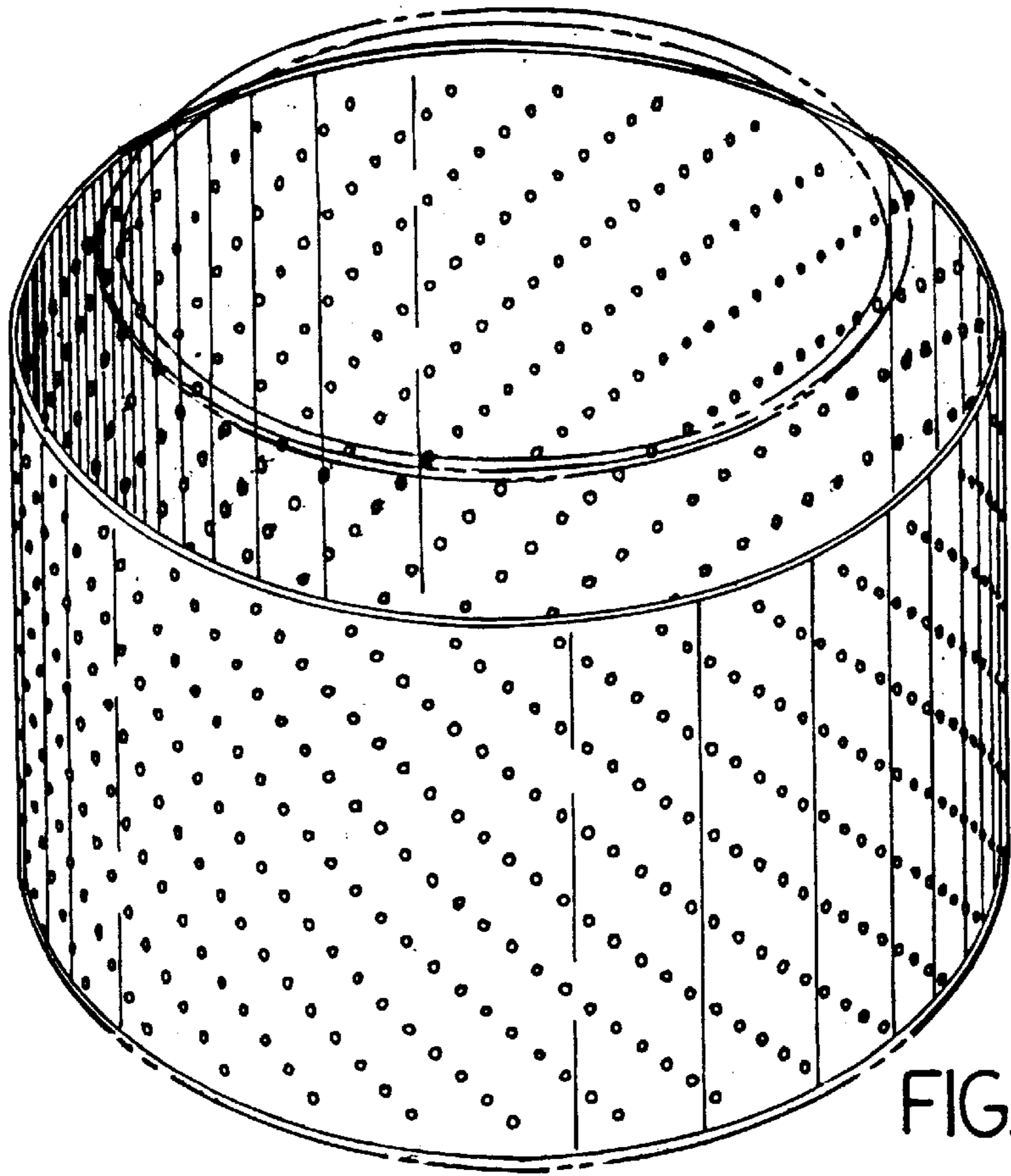


FIG. 1

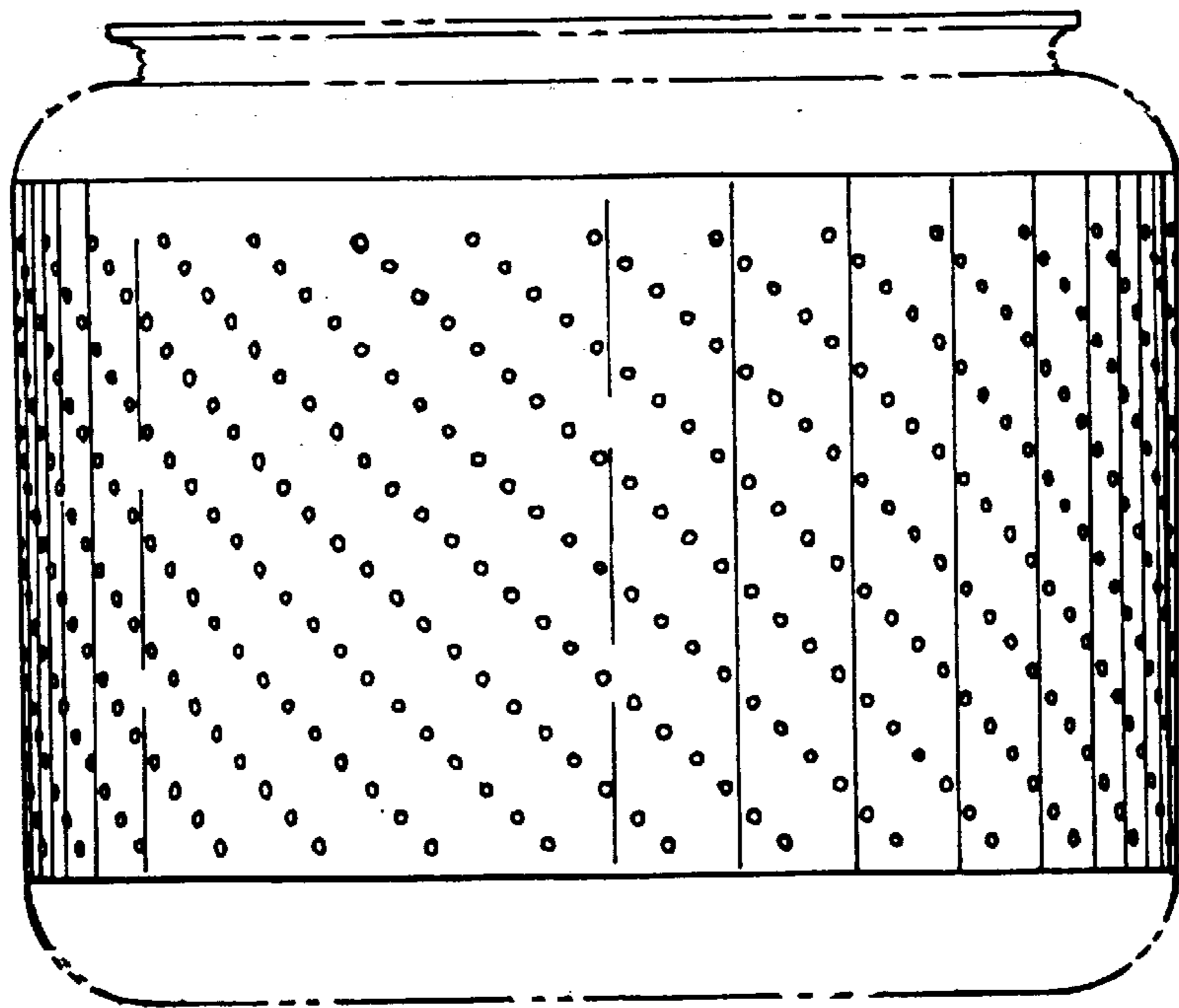


FIG. 2