



US00D426683S

**United States Patent** [19]  
**Rogers**

[11] **Patent Number: Des. 426,683**

[45] **Date of Patent: \*\* Jun. 13, 2000**

[54] **BIRD FEEDER**

OTHER PUBLICATIONS

[76] Inventor: **Dixon Rogers**, P.O. Box 748, West  
Tisbury, Mass. 02575

Alsto—Yard and Home Catalog 1965—Bower Estate Model  
Bird Feeder—p. 5—1965.

[\*\*] Term: **14 Years**

*Primary Examiner*—Louis S. Zarfaz  
*Assistant Examiner*—Catherine R. Oliver  
*Attorney, Agent, or Firm*—Thomas A. Kahrl, Esq.

[21] Appl. No.: **29/097,153**

[57] **CLAIM**

The ornamental design for the bird feeder, as shown.

[22] Filed: **Nov. 30, 1998**

**DESCRIPTION**

[51] **LOC (7) Cl.** ..... **30-03**

FIG. 1 is a perspective view of a bird feeder showing my  
new design;

[52] **U.S. Cl.** ..... **D30/124**

FIG. 2 is a front elevational view thereof; rear elevational  
view being a mirror image;

[58] **Field of Search** ..... D30/124–128,  
D30/110, 111; 119/57.8, 57.9, 52.2, 52.3,  
51.01, 428, 429, 53

FIG. 3 is a top view thereof;

FIG. 4 is a bottom view thereof; and,

FIG. 5 is a right side elevational view thereof; left side being  
a mirror image.

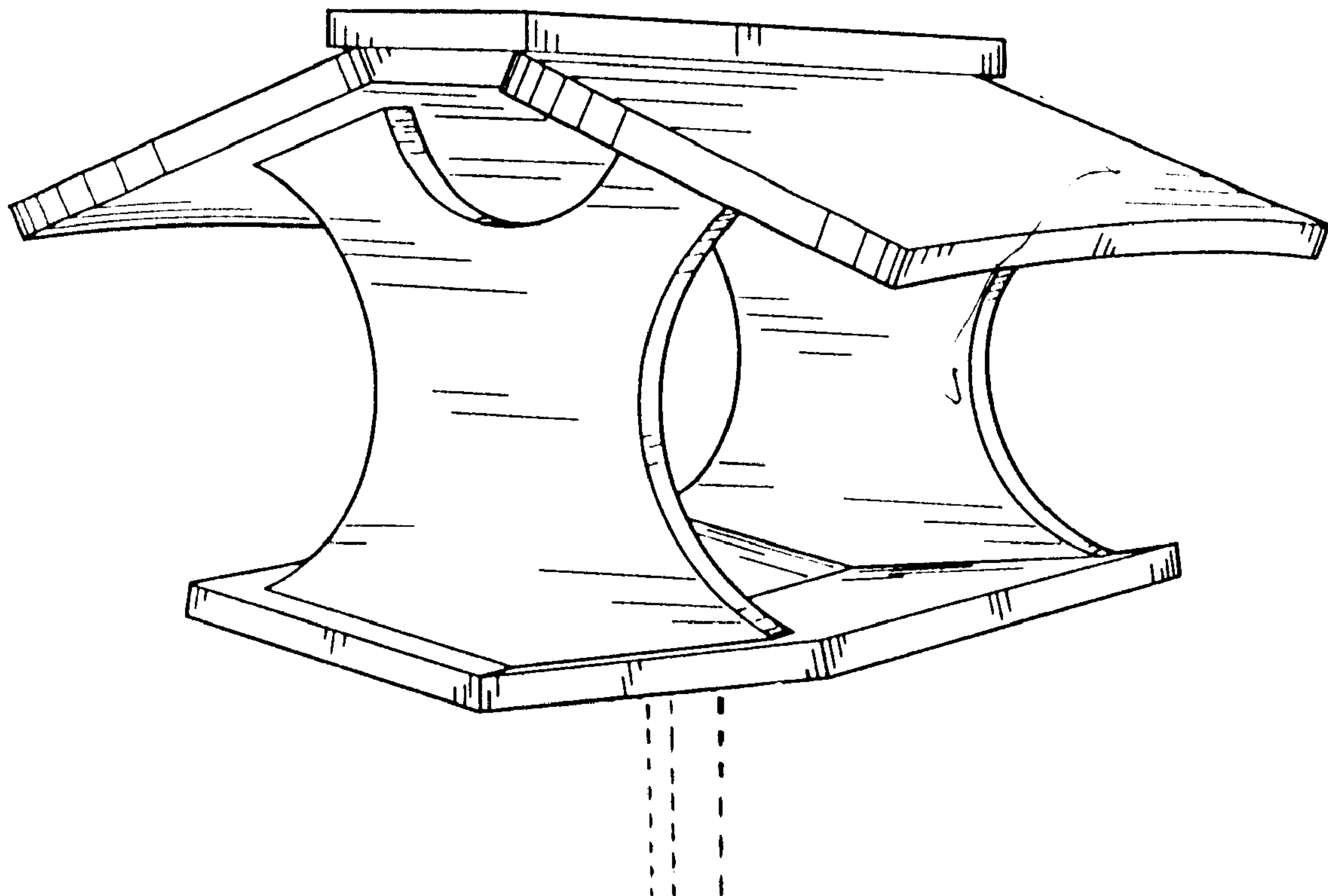
[56] **References Cited**

**U.S. PATENT DOCUMENTS**

D. 120,350	5/1940	Moore	.....	D30/126
D. 301,777	6/1989	Fasino	.....	D30/126
D. 329,509	9/1992	Burleigh	.....	D30/124
D. 329,723	9/1992	Carpenter	.....	D30/126

The broken line showing of environment in FIGS. 1, 2 and  
5 is for illustrative purposes only and forms no part of the  
claimed design.

**1 Claim, 2 Drawing Sheets**



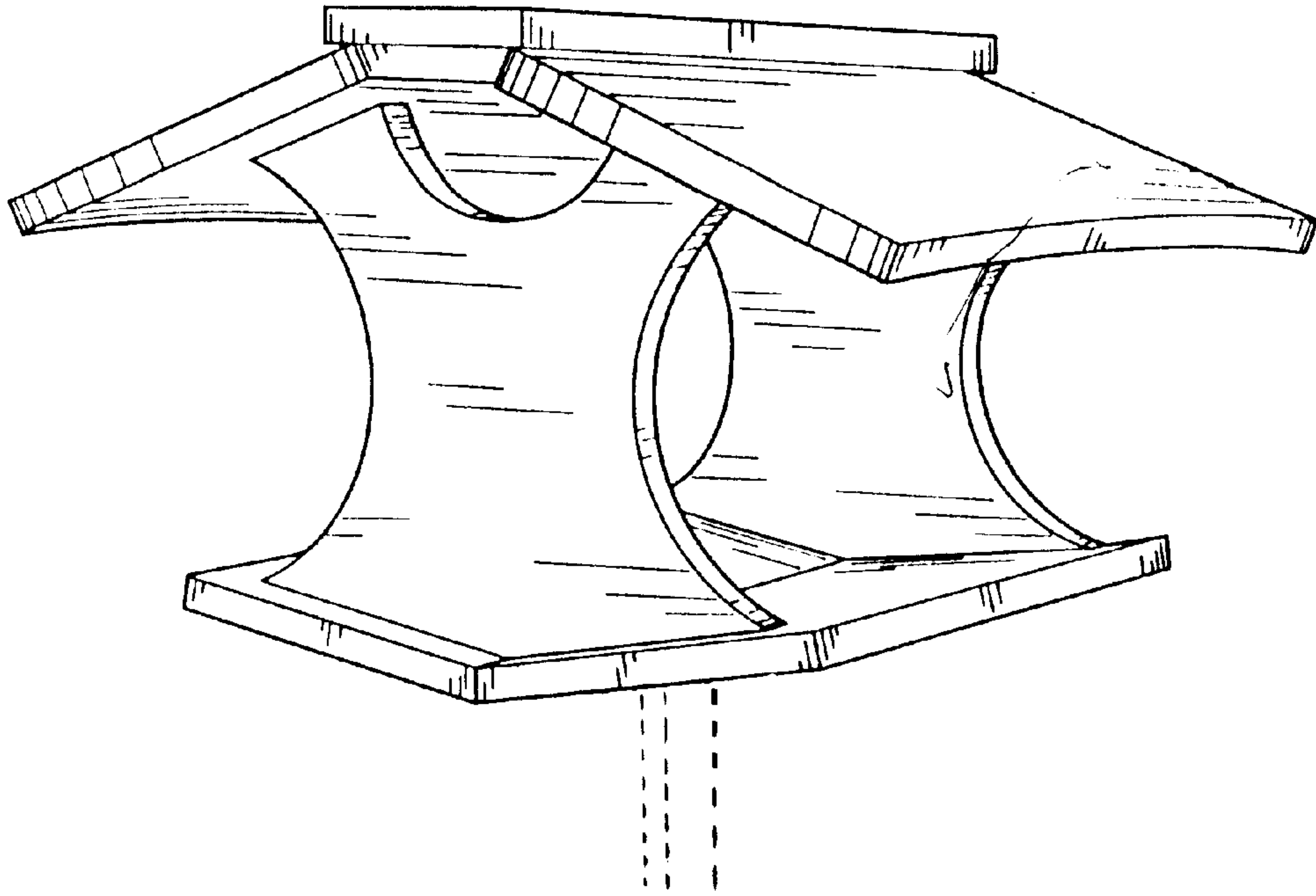


FIG. 1

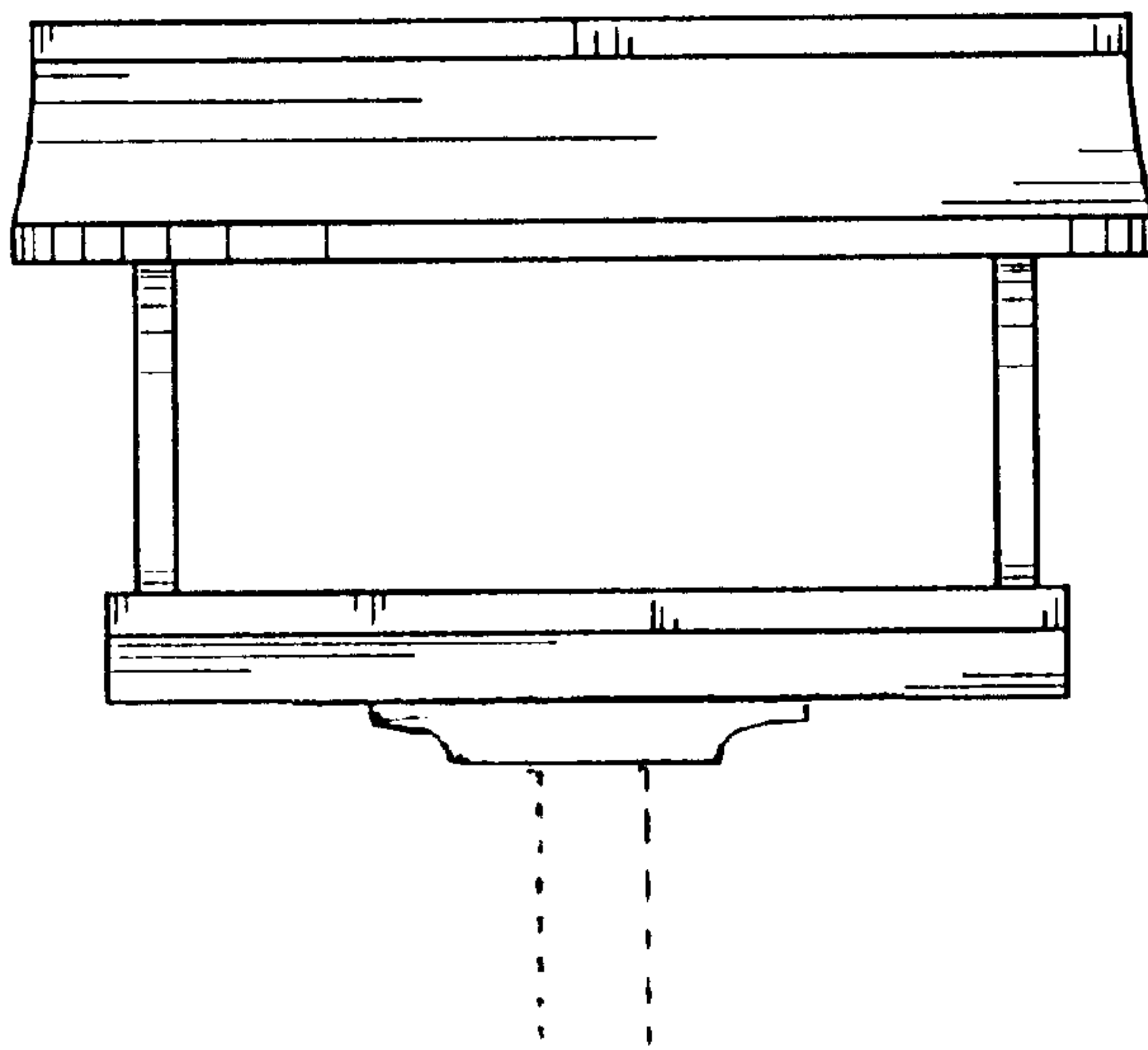


FIG. 2

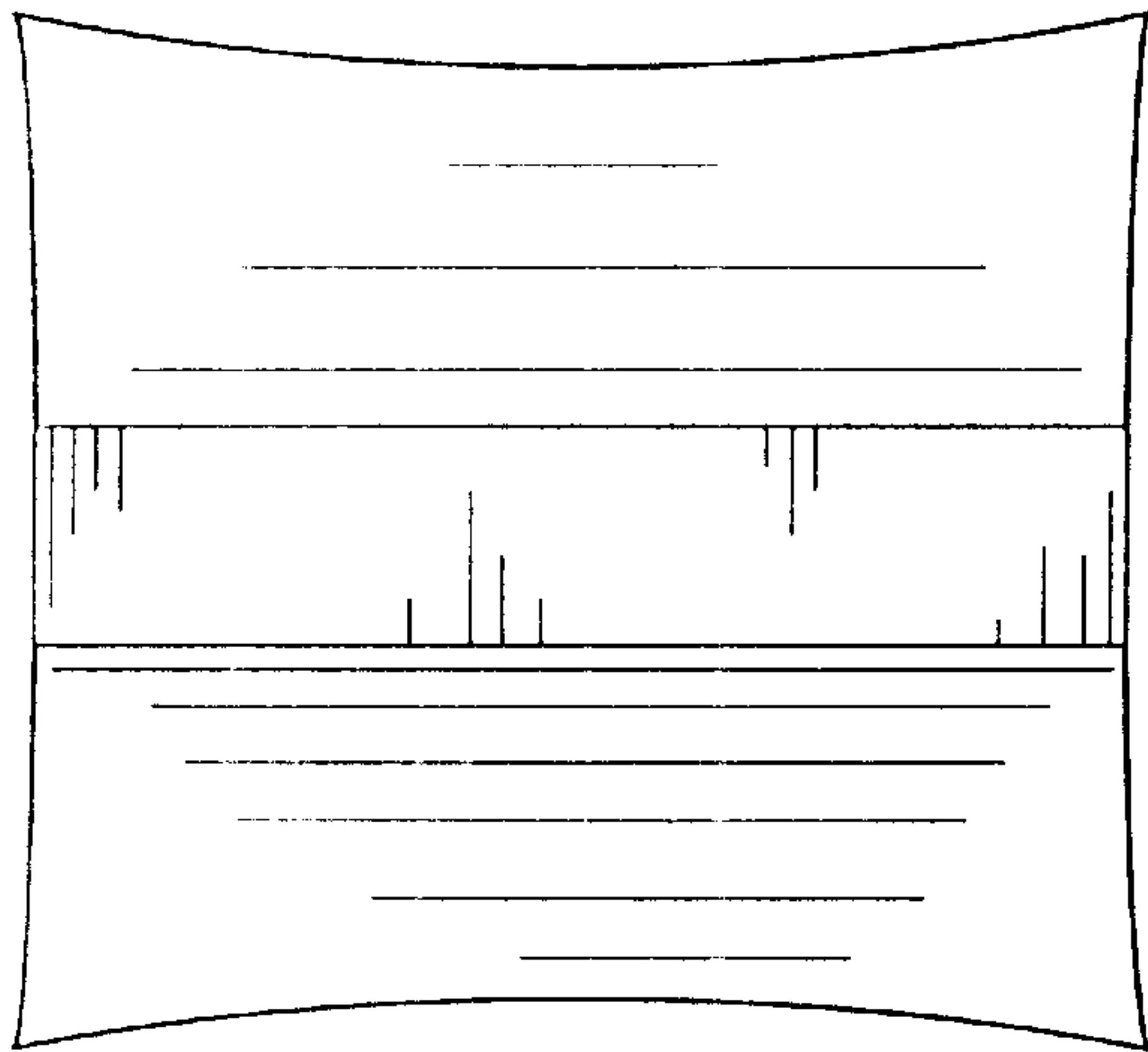


FIG. 3

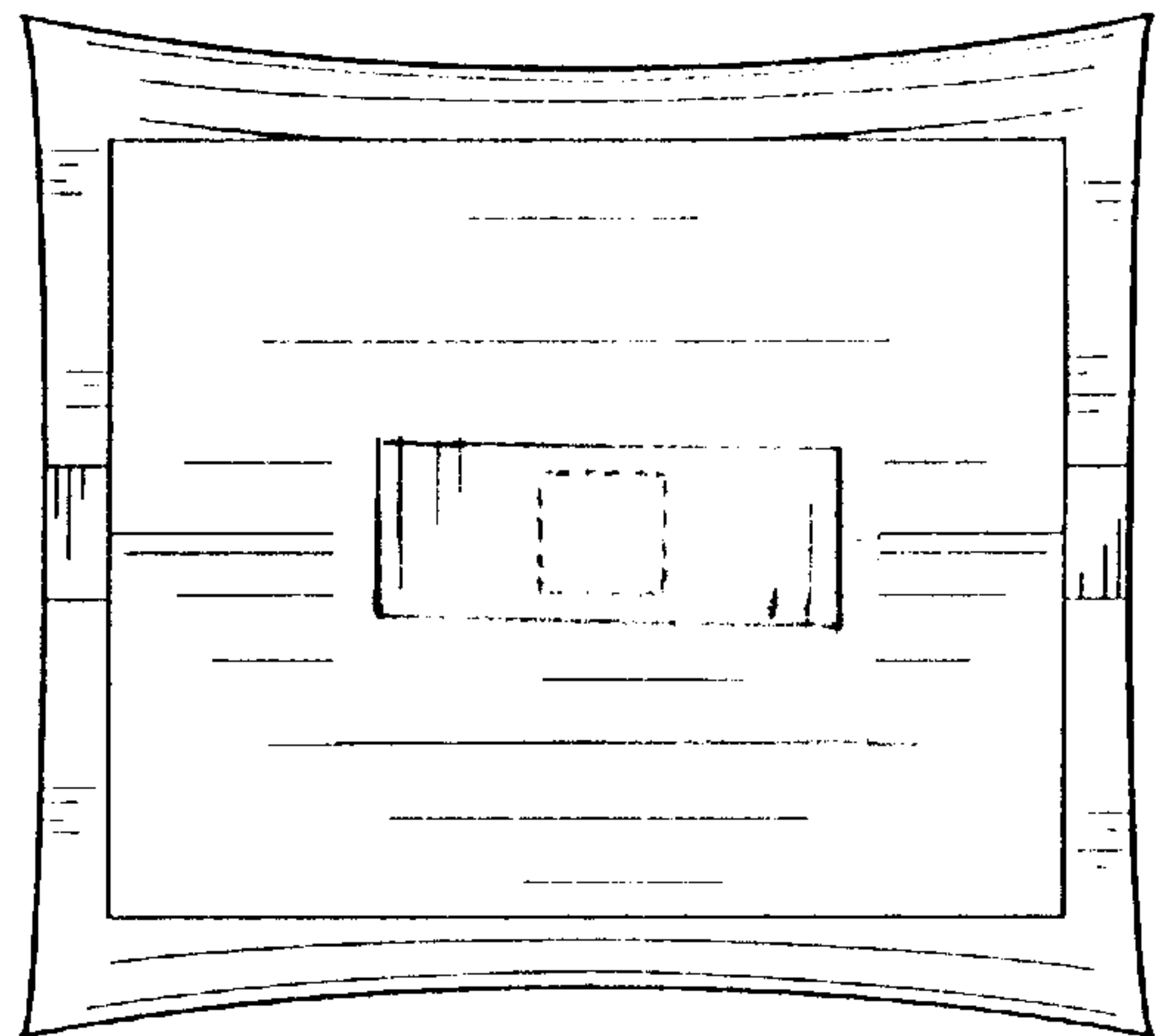


FIG. 4

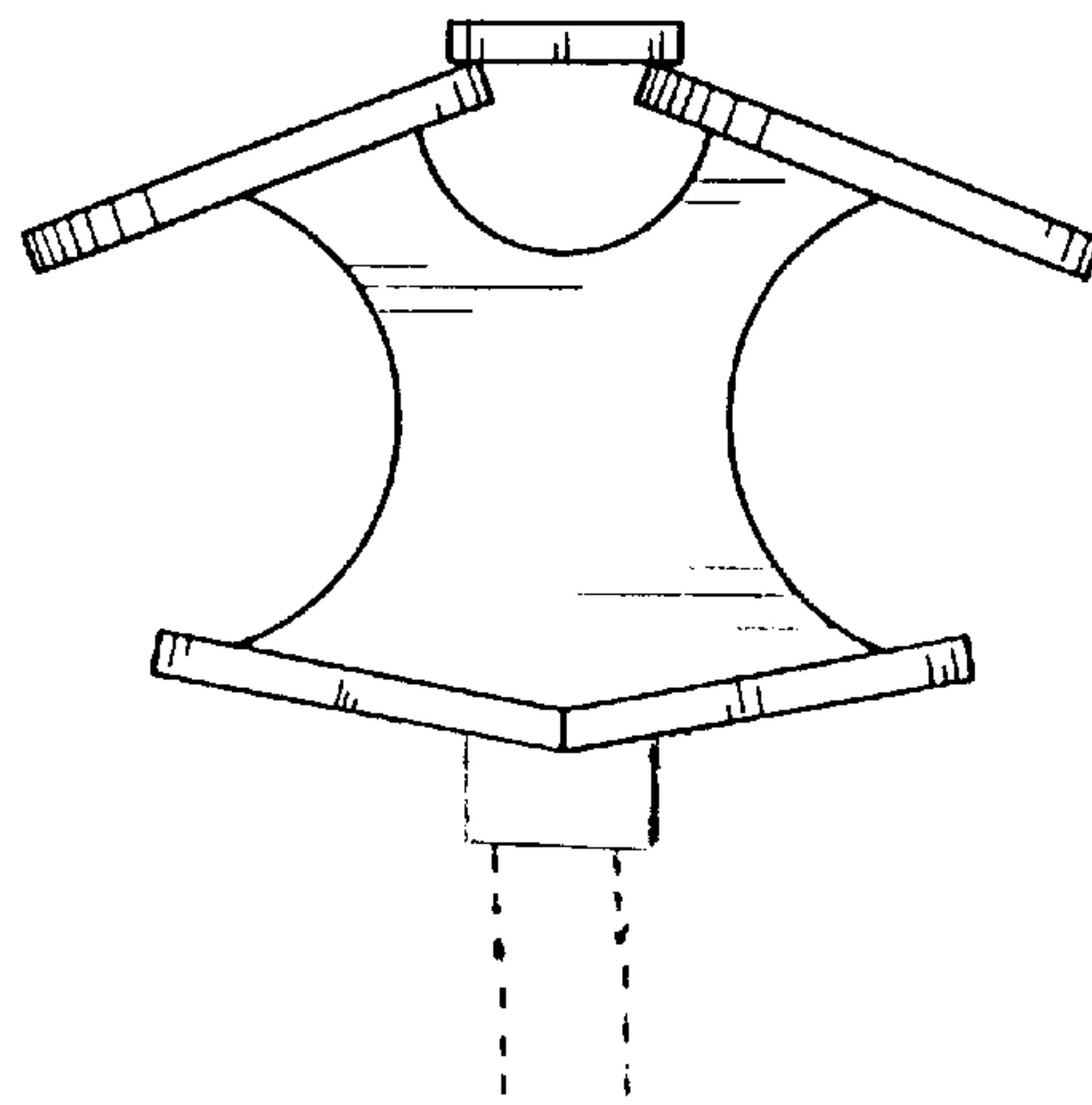


FIG. 5