



US00D426681S

United States Patent [19]

[11] **Patent Number: Des. 426,681**

Moreau et al.

[45] **Date of Patent: ** Jun. 13, 2000**

[54] **SUPPORT UNIT FOR FLOORING FOR ANIMAL HOUSINGS**

[75] Inventors: **Pierre A. Moreau; W. James Real,**
both of Calgary, Canada

[73] Assignee: **Matrix AG Inc.,** Calgary, Canada

[**] Term: **14 Years**

[21] Appl. No.: **29/093,326**

[22] Filed: **Sep. 9, 1998**

[30] **Foreign Application Priority Data**

Mar. 9, 1998 [CA] Canada 1998-0547

[51] **LOC (7) Cl. 30-02**

[52] **U.S. Cl. D30/119**

[58] **Field of Search D30/119, 120;**
119/462, 463, 445, 509, 526-530; D25/138,
152, 156

[56] **References Cited**

U.S. PATENT DOCUMENTS

D. 282,105	1/1986	Moreau	D25/138
D. 343,259	1/1994	Kovatch	D30/120
D. 349,774	8/1994	Kongsgaard	D25/156
D. 383,253	9/1997	Semenuk	D30/120
D. 389,614	1/1998	Jacobsen	D30/153
D. 395,713	6/1998	Schrotenboer	D25/152
4,176,622	12/1979	Wolf	.	

FOREIGN PATENT DOCUMENTS

1108487	9/1981	Canada	119/33
1222170	5/1987	Canada	119/33
2021914	7/1990	Canada	119/33
2065122	4/1992	Canada	.	
2135640	5/1993	Canada	.	
2135650	5/1993	Canada	.	
2142284	8/1993	Canada	.	
2106614	9/1993	Canada	.	
WO96/13152	5/1996	WIPO	.	

OTHER PUBLICATIONS

“Filter–Eeze Excelerator,” brochure, by BCM Manufacturing, Ltd., dated prior to Sep. 9, 1997.

“Valu–Cost,” brochure, by BCM Manufacturing, Ltd., dated prior to Sep. 9, 1997.

“Ikadan ULTRAFLEX,” brochure, by Ikadan Systems A/S, dated prior to Sep. 9, 1997.

“Polygrate,” brochure, by Faroex Ltd., dated prior Sep. 9, 1997.

“Polygrate Gro–More,” brochure, by Faroex Ltd., dated prior to Sep. 9, 1997.

Primary Examiner—Louis S. Zarfes
Assistant Examiner—Catherine R. Oliver
Attorney, Agent, or Firm—Heslin & Rothenberg, P.C.

[57] **CLAIM**

The ornamental design for support unit for flooring for animal housings, as shown and described.

DESCRIPTION

FIG. 1 is a perspective view of the support unit for flooring for animal housings showing my new design, the pole shown broken away to indicate indeterminate length;

FIG. 2 is a top perspective view of the bottom member of the support unit;

FIG. 3 is a bottom perspective view of the bottom member of the support unit;

FIG. 4 is a top plan view of the bottom member of the support unit;

FIG. 5 is a sectional view of FIG. 4 taken at line 5–5 of FIG. 4;

FIG. 6 is a sectional view of FIG. 4 taken at line 6–6 of FIG. 4;

FIG. 7 is a bottom perspective view of the top member of the support unit;

FIG. 8 is a top perspective view of the top member of the support unit;

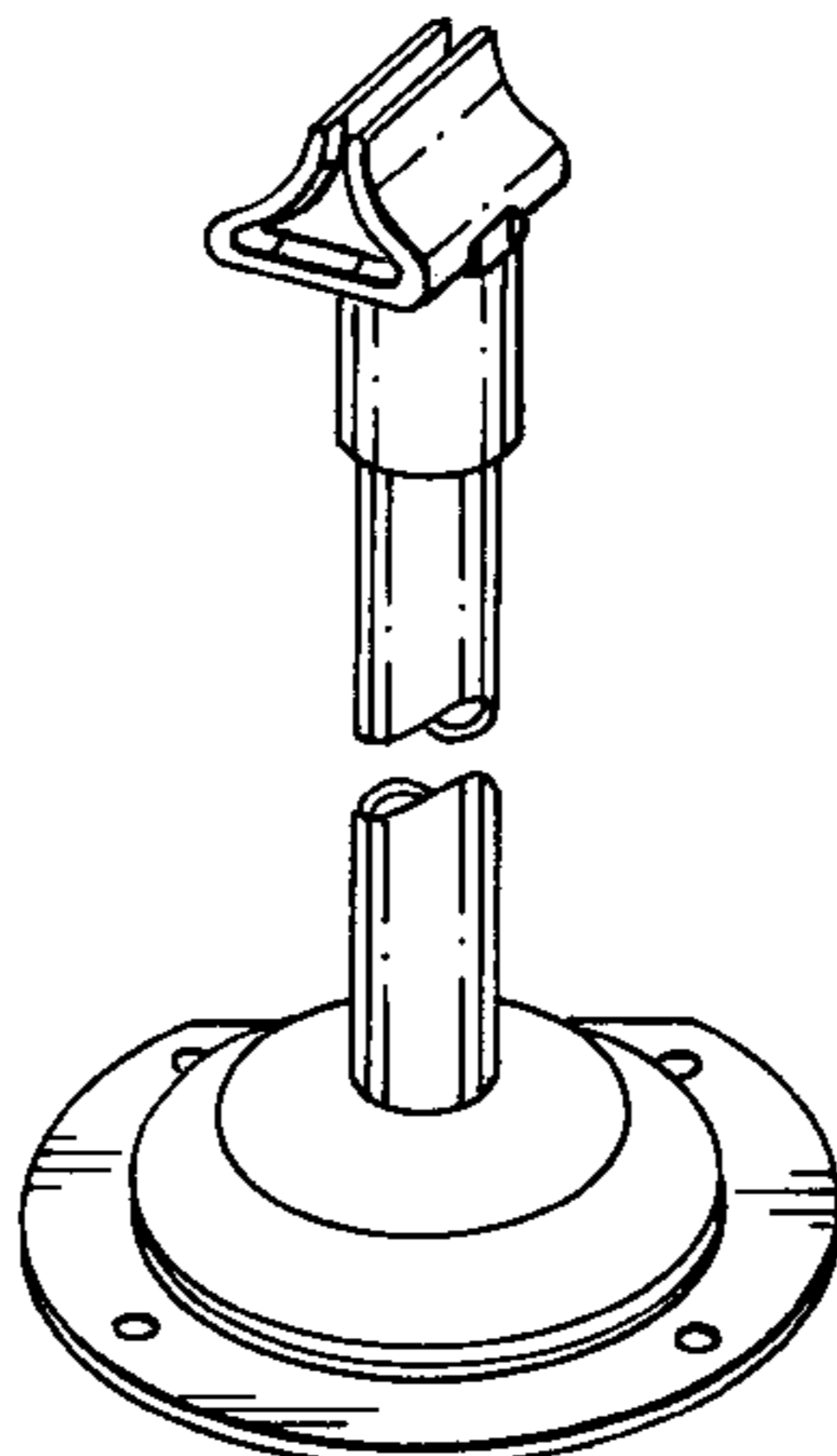
FIG. 9 is a side elevational view of the top member of the support unit;

FIG. 10 is a bottom plan view of the top member of the support unit;

FIG. 11 is a front elevational view of the top member of the support unit; and,

FIG. 12 is a sectional view of FIG. 9 taken at line 12–12 of FIG. 9.

1 Claim, 3 Drawing Sheets



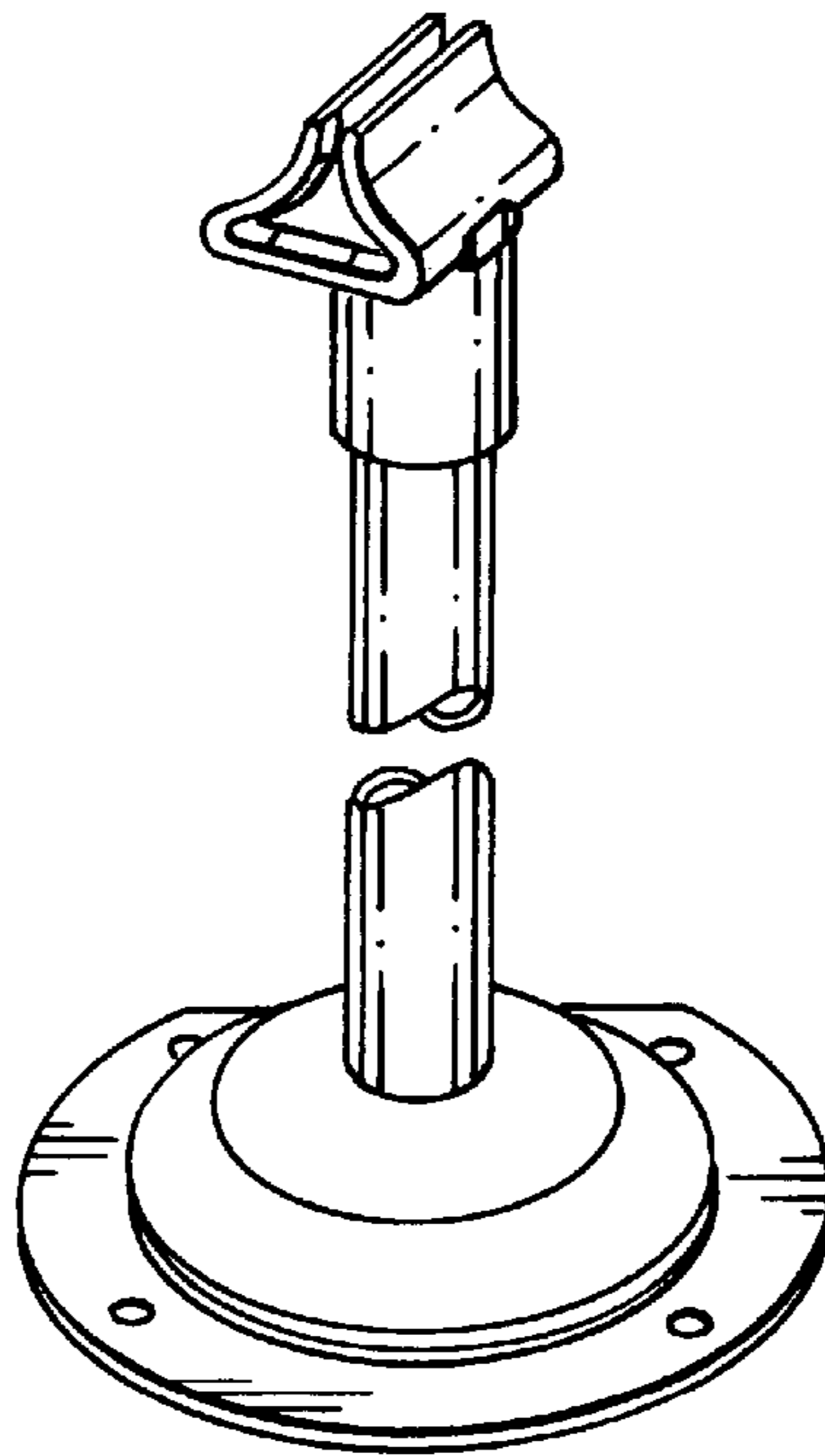


FIG. 1

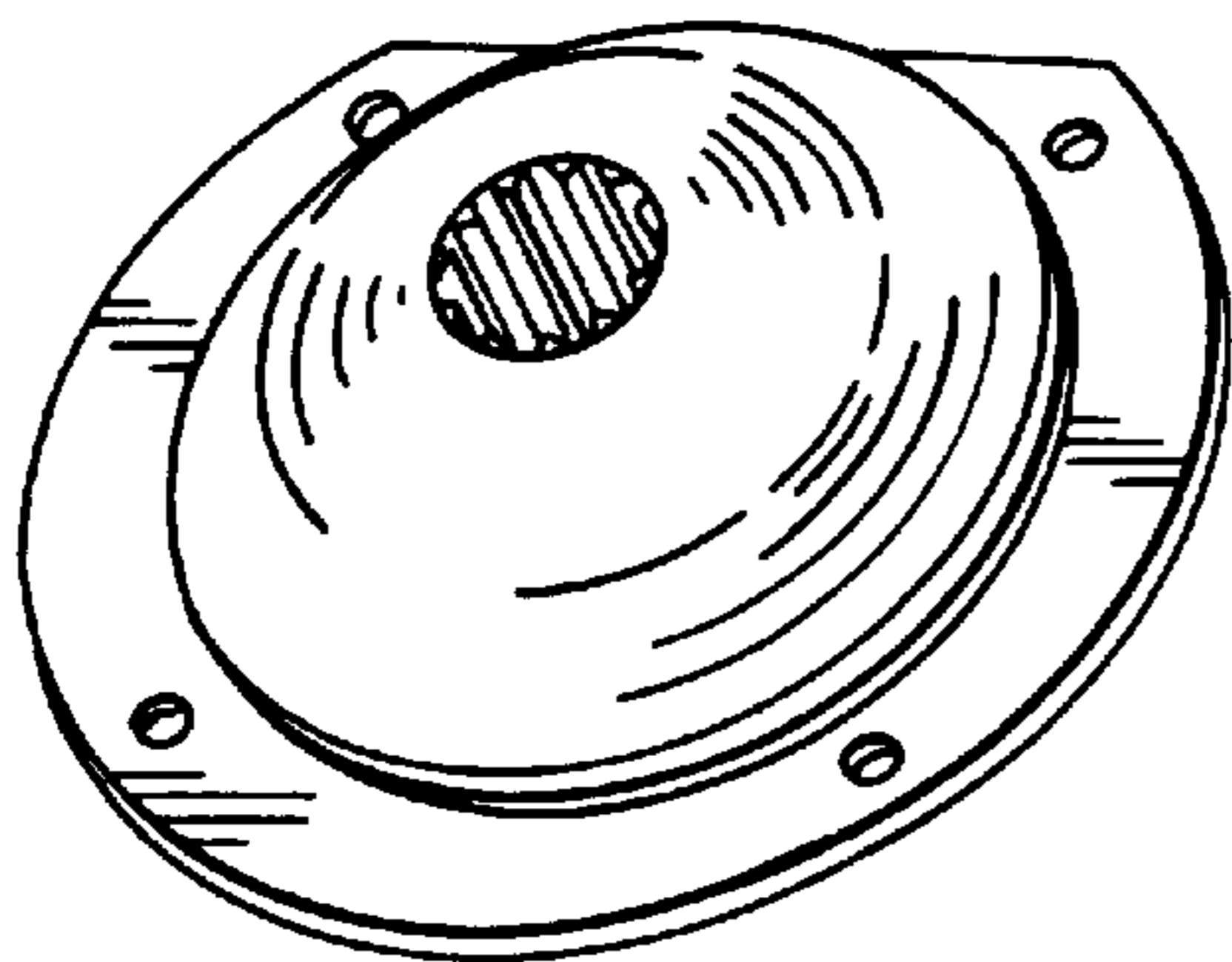


FIG. 2

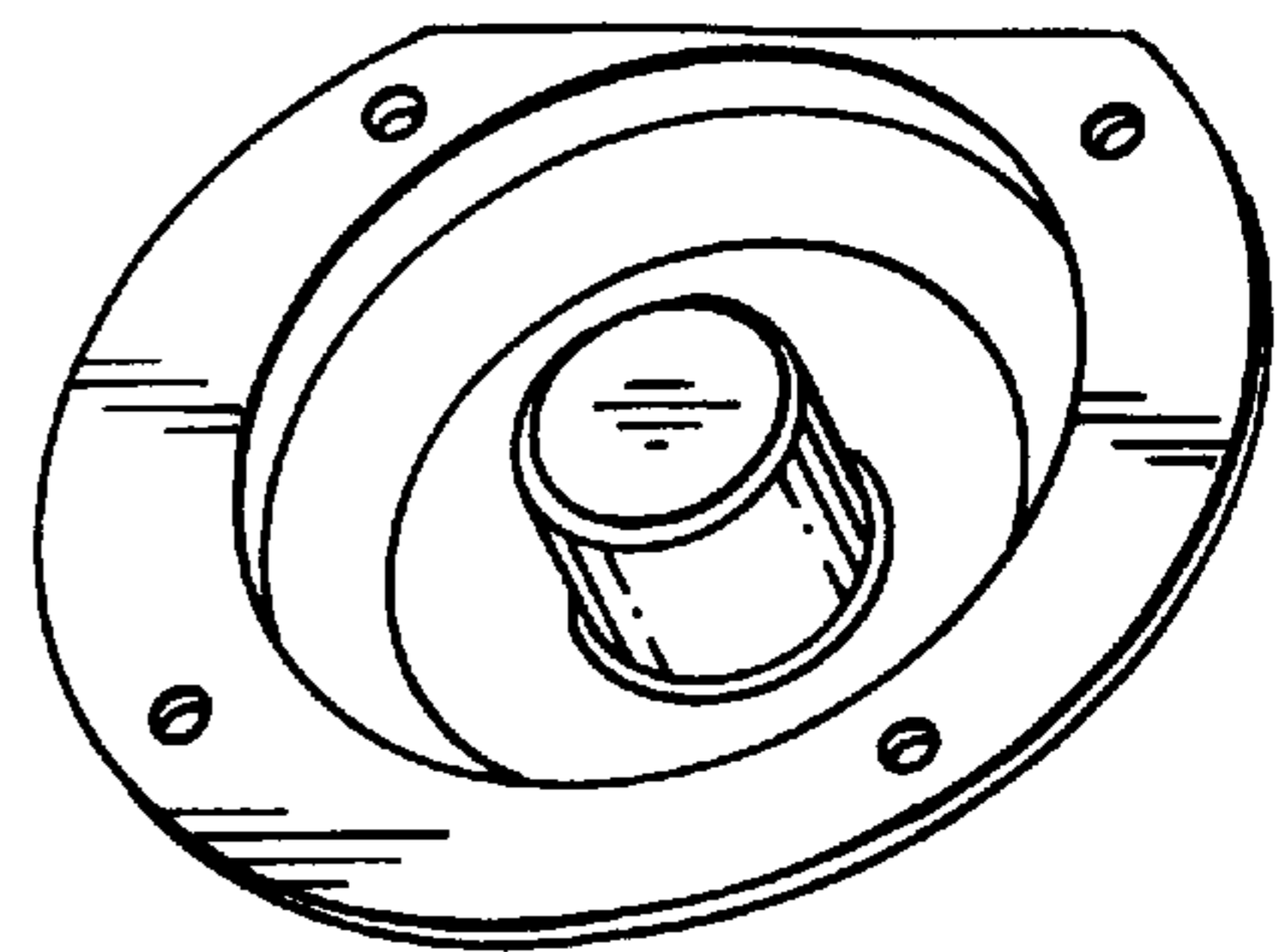


FIG. 3

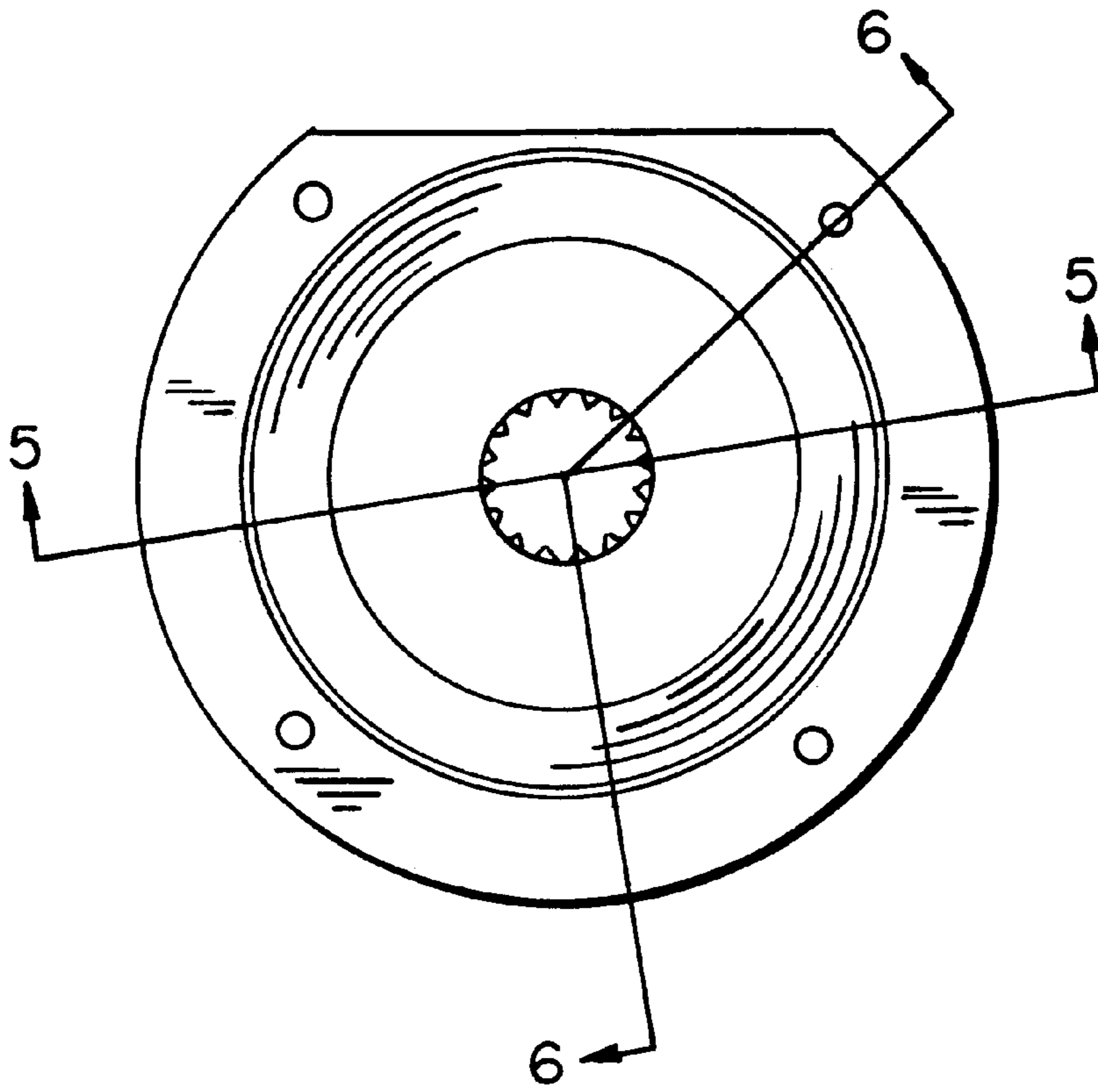


FIG. 4

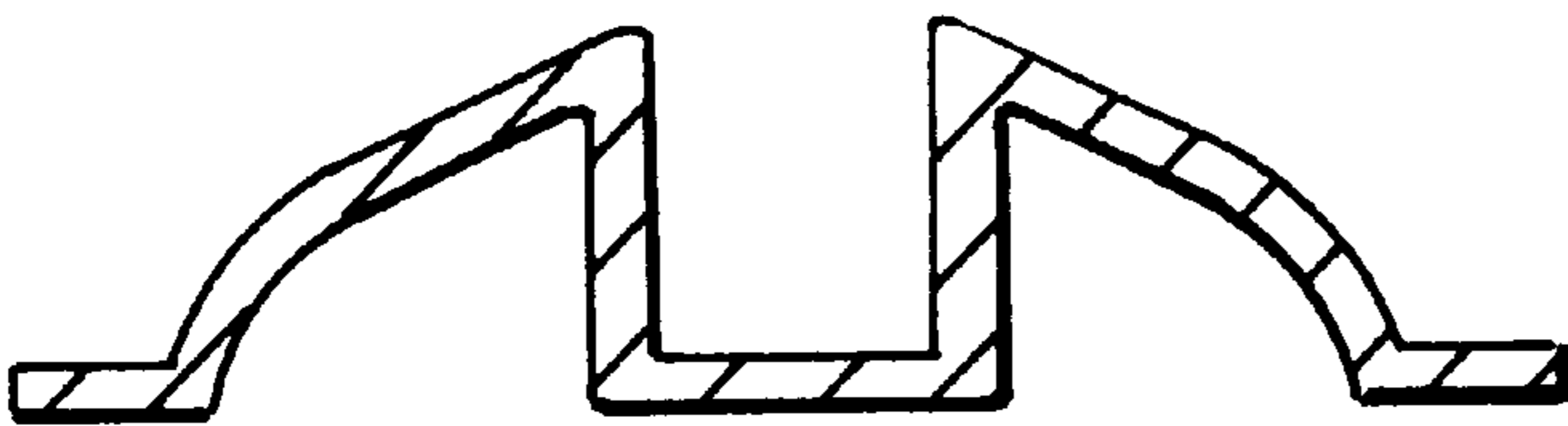


FIG. 5

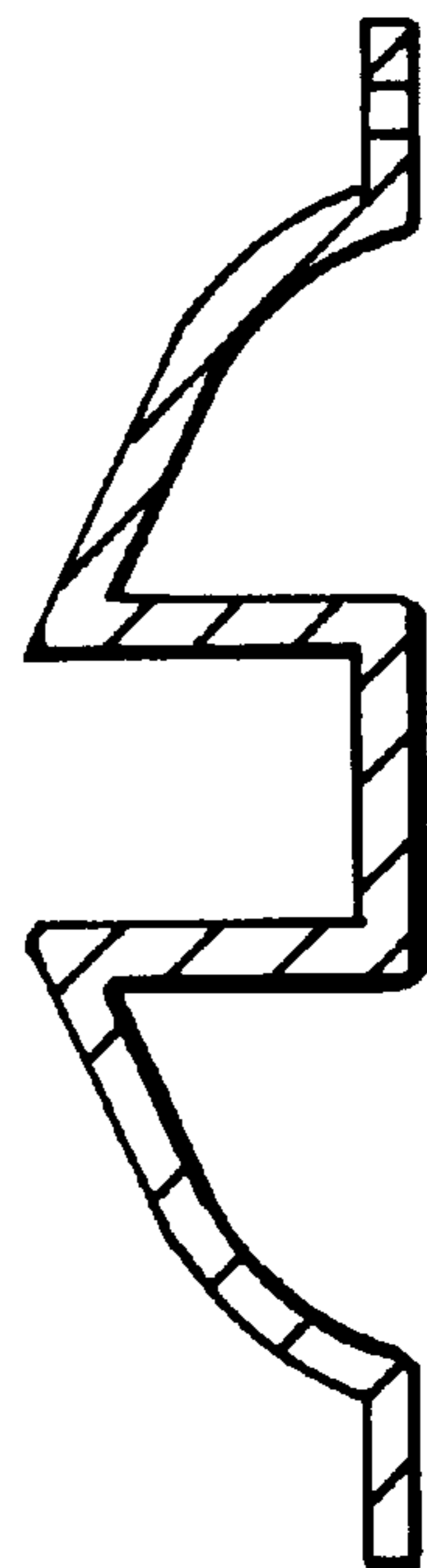


FIG. 6

FIG. 7

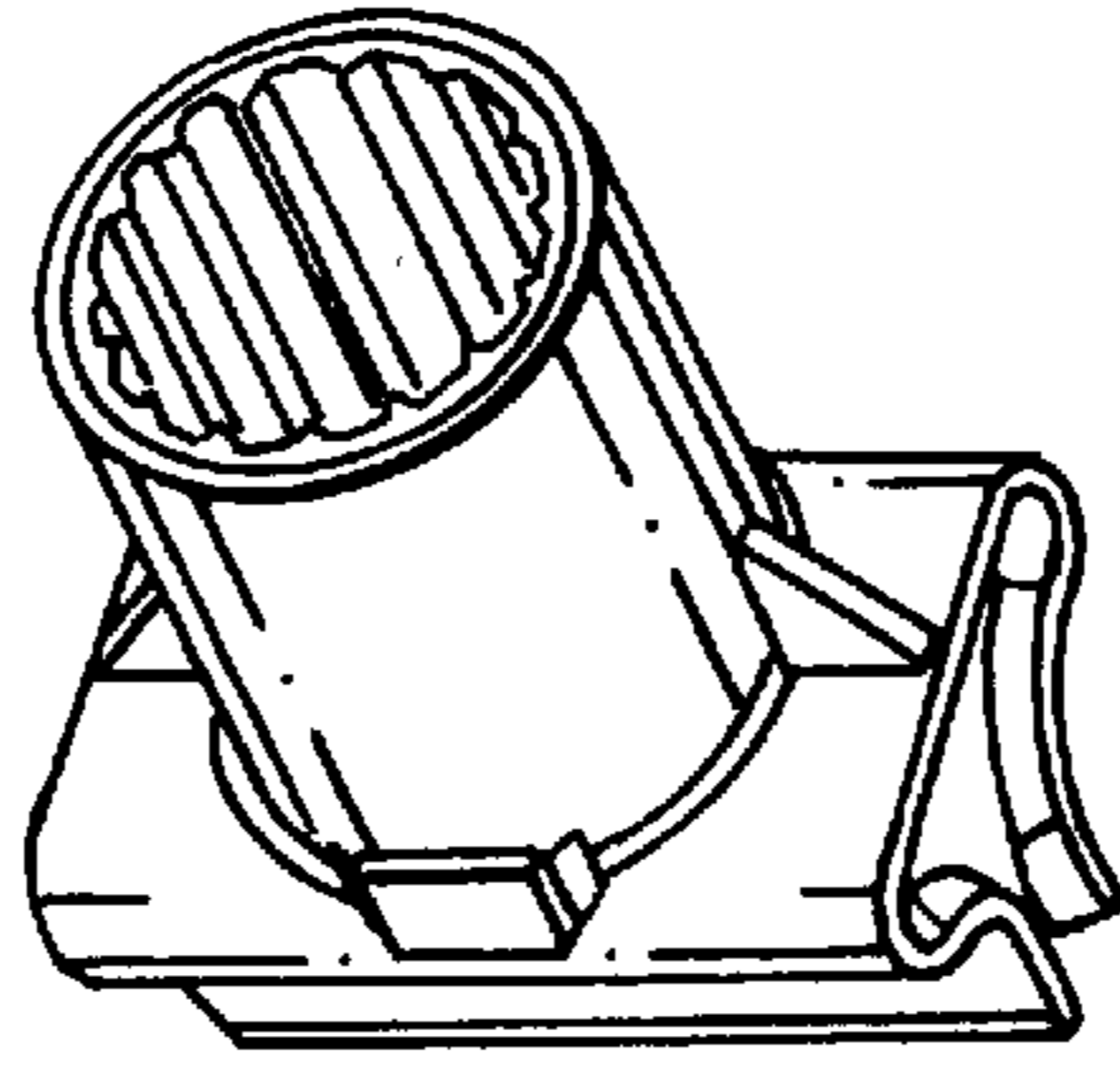


FIG. 8

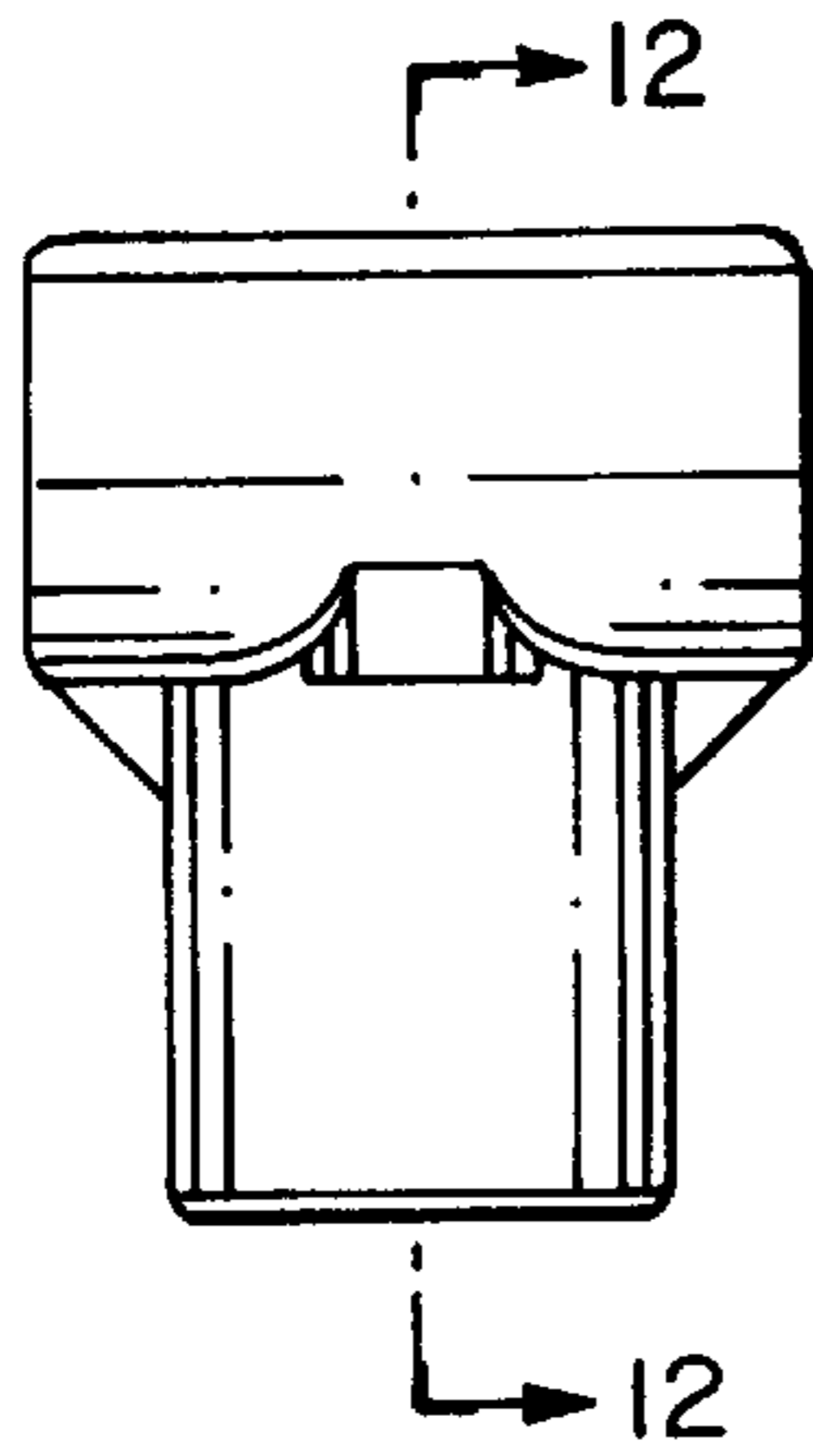
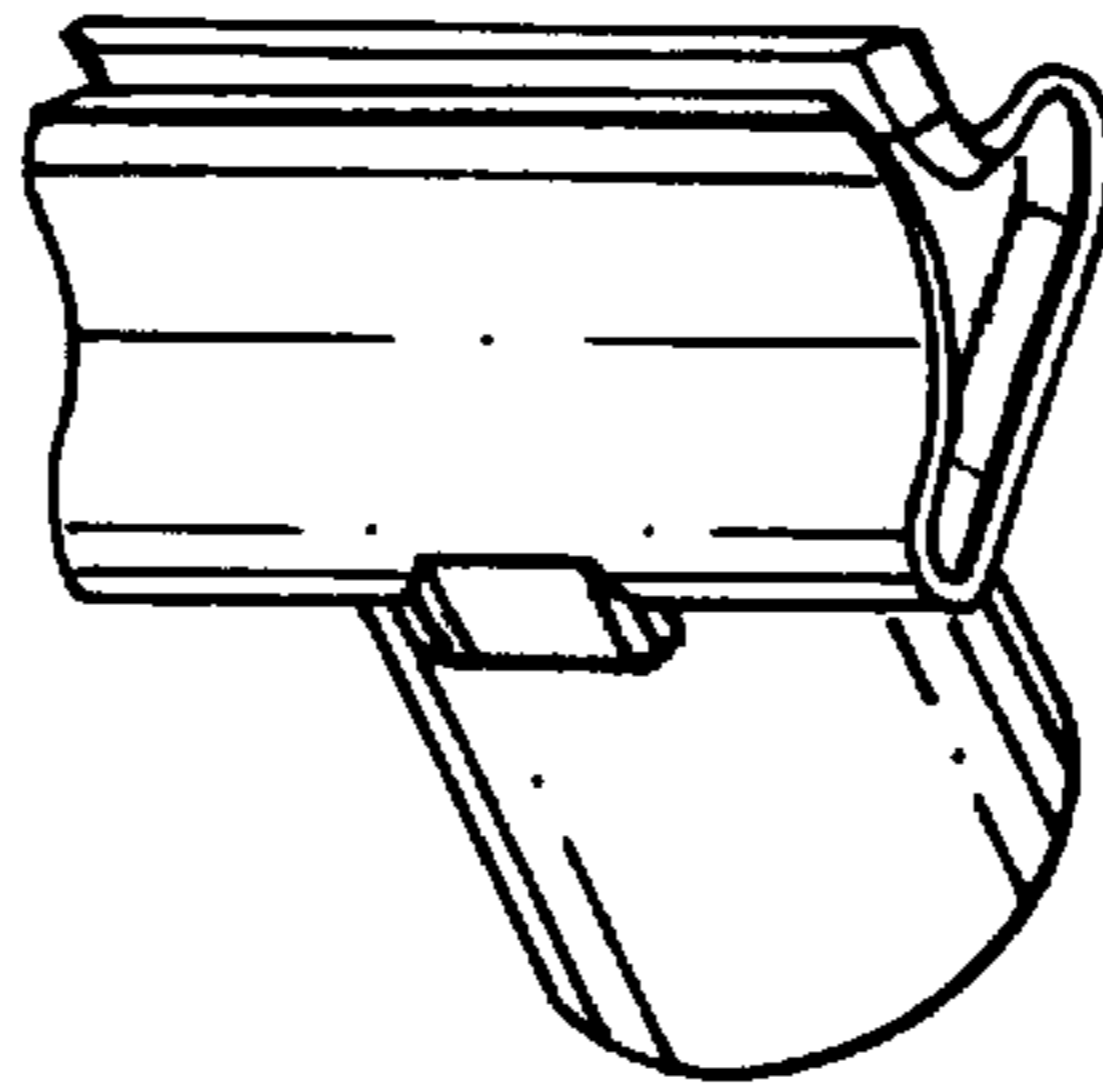


FIG. 9

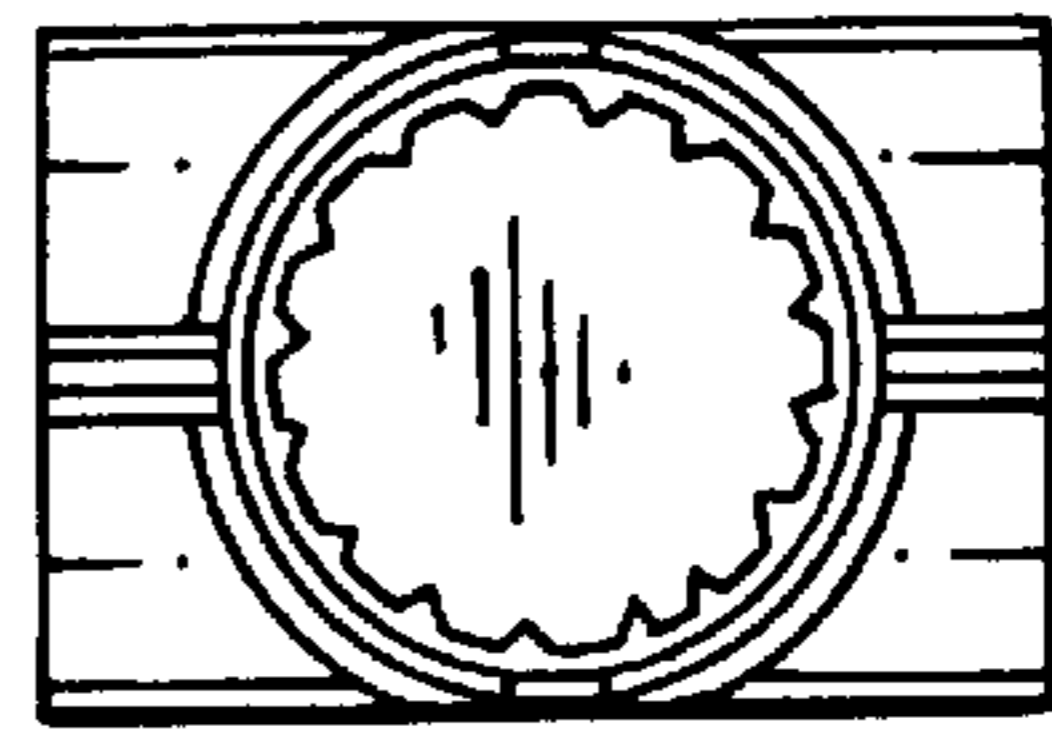


FIG. 10

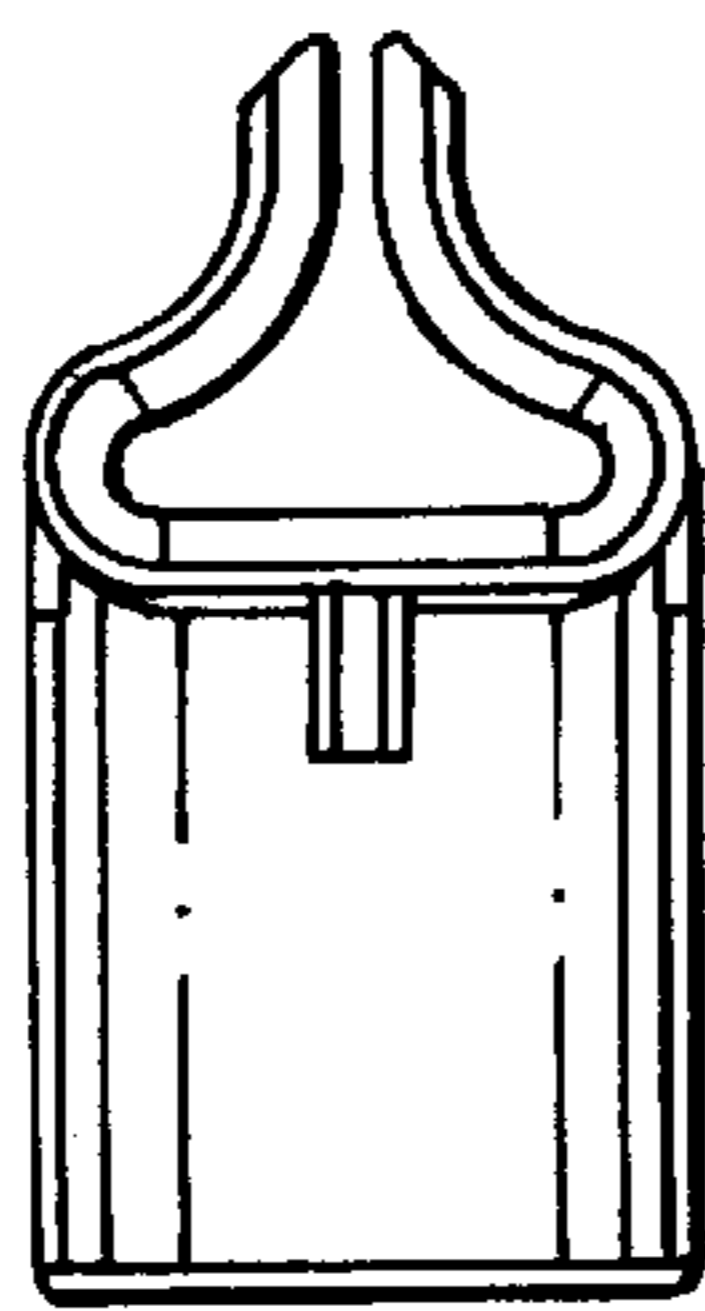


FIG. 11

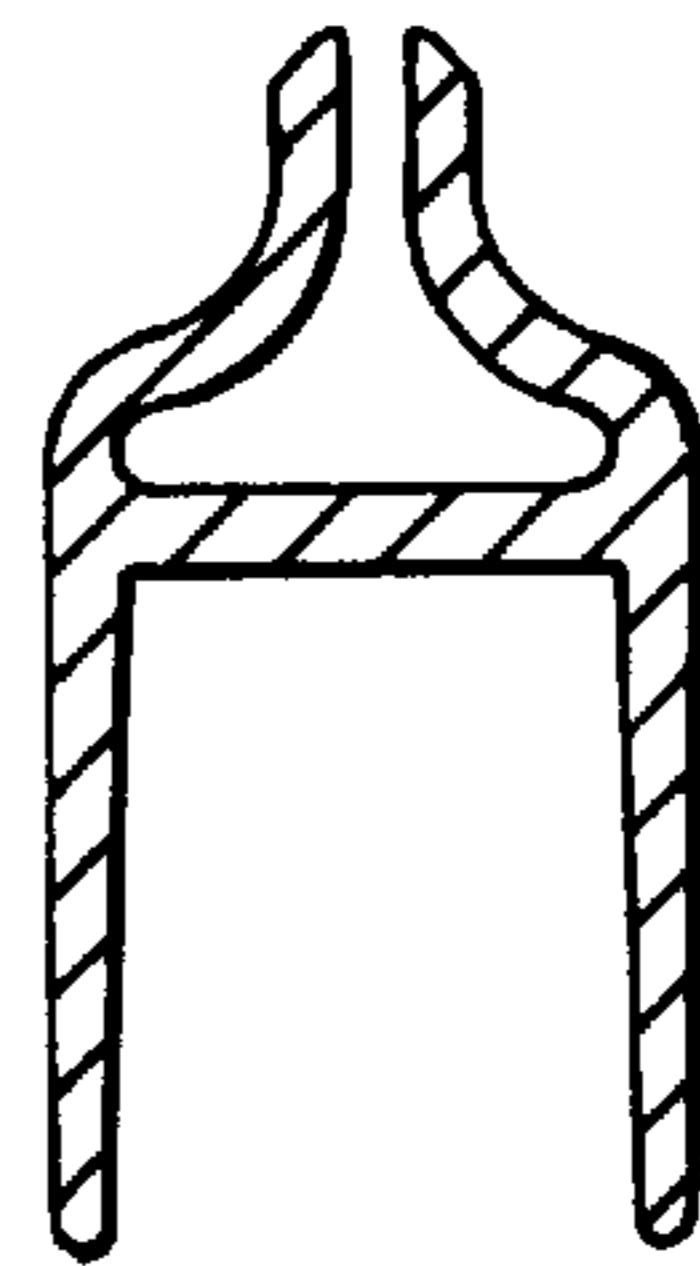


FIG. 12