



US00D426679S

United States Patent [19]
Richmond

[11] **Patent Number: Des. 426,679**
[45] **Date of Patent: ** Jun. 13, 2000**

[54] **PET SHELTER**

[75] Inventor: **Edward Richmond**, North Hollywood, Calif.

[73] Assignee: **Amerlin, Inc.**, North Hollywood, Calif.

[**] Term: **14 Years**

[21] Appl. No.: **29/113,899**

[22] Filed: **Nov. 11, 1999**

[51] **LOC (7) Cl.** **30-02**

[52] **U.S. Cl.** **D30/108; D30/113**

[58] **Field of Search** D30/108-109,
D30/110-111, 112-114, 116-118, 161;
119/416, 436, 452, 453, 482, 496, 161-170,
28.5, 459, 428-429, 500; 52/80.2, 79.1,
81.1

[56] **References Cited**

U.S. PATENT DOCUMENTS

- D. 227,269 6/1973 Sedgwick D30/113
- D. 240,051 5/1976 Mayfield D30/113
- D. 288,733 3/1987 Welker D30/108

- D. 326,936 6/1992 Moore D30/108
- D. 327,143 6/1992 Dickinson D30/108
- D. 353,029 11/1994 Northrop et al. D30/108
- D. 363,367 10/1995 Hampel D30/108
- 2,782,758 2/1957 Turner 119/500

Primary Examiner—Cathy Anne MacCormac
Attorney, Agent, or Firm—Fulwider Patton Lee & Utecht, LLP; Ellsworth R. Roston

[57] **CLAIM**

The ornamental design for a pet shelter, as shown and described.

DESCRIPTION

FIG. 1 is a perspective view taken from the top, front & left side of a pet shelter showing my new design; FIG. 2 is a top plan view thereof; FIG. 3 is a front elevational view thereof; FIG. 4 is a right side elevational view thereof; FIG. 5 is a rear elevational view thereof; and, FIG. 6 is a perspective view of a second embodiment of FIG. 1, the difference being in the supports or stilts at the bottom of FIG. 6.

1 Claim, 4 Drawing Sheets

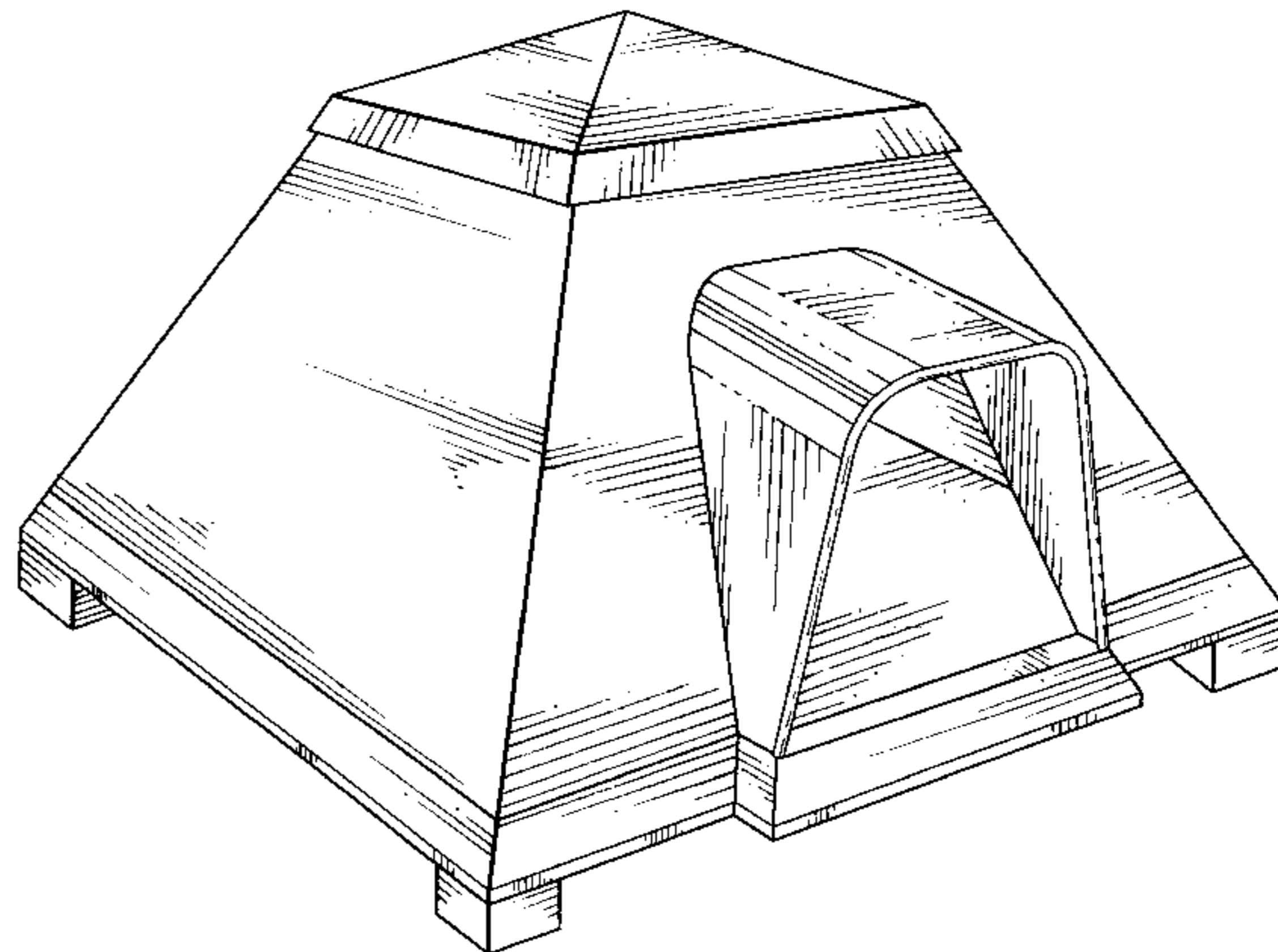
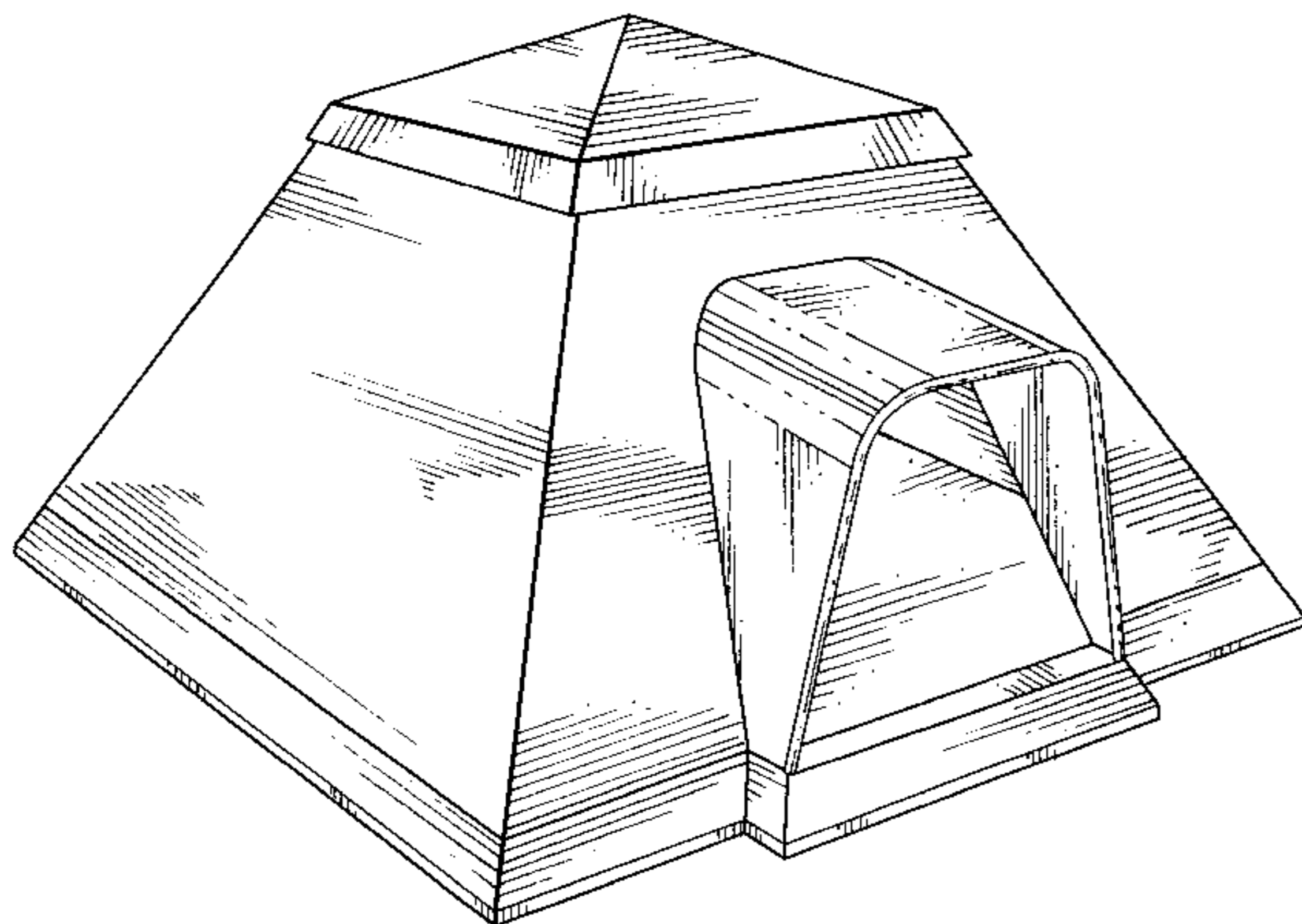


FIG. 1

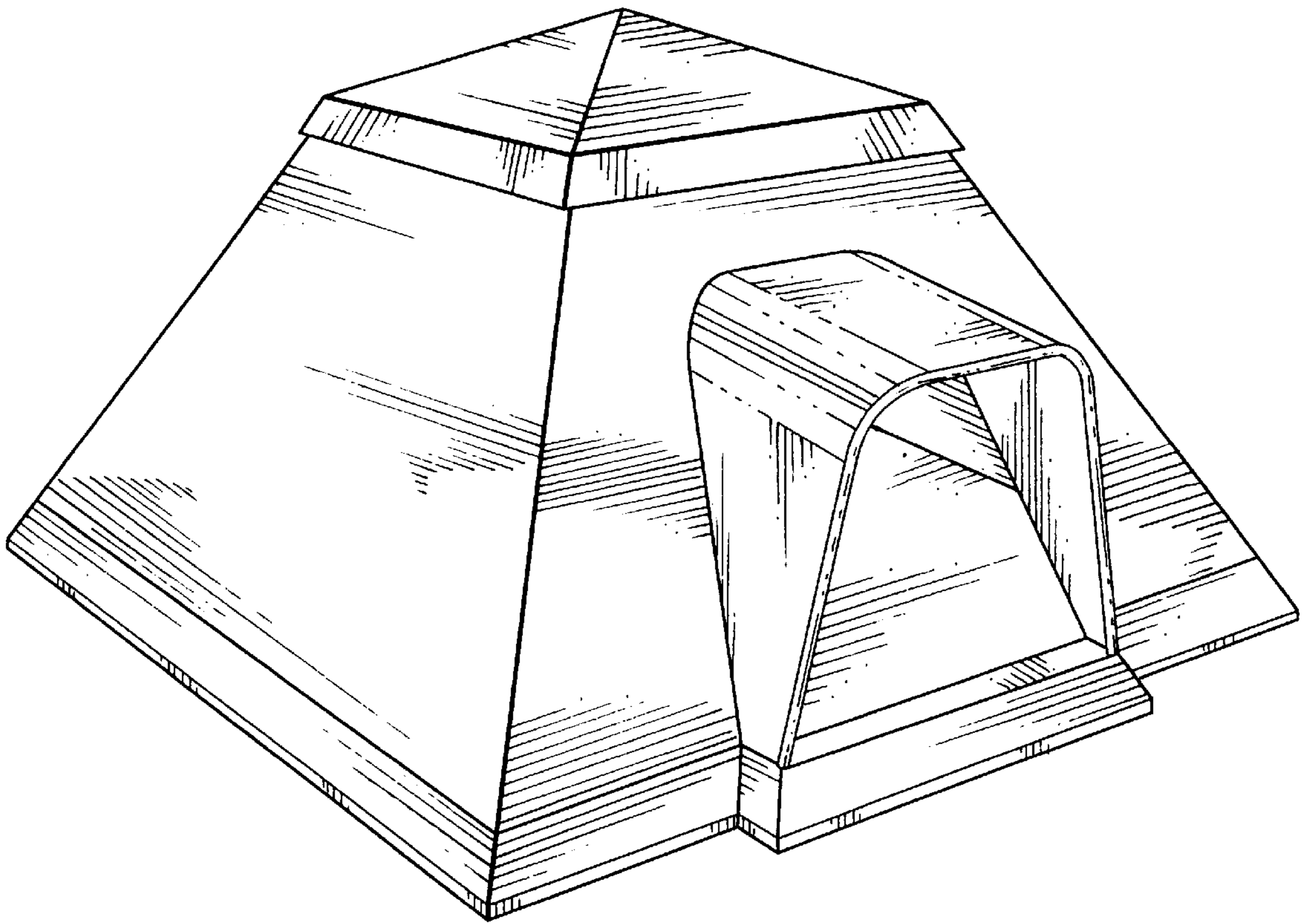


FIG. 2

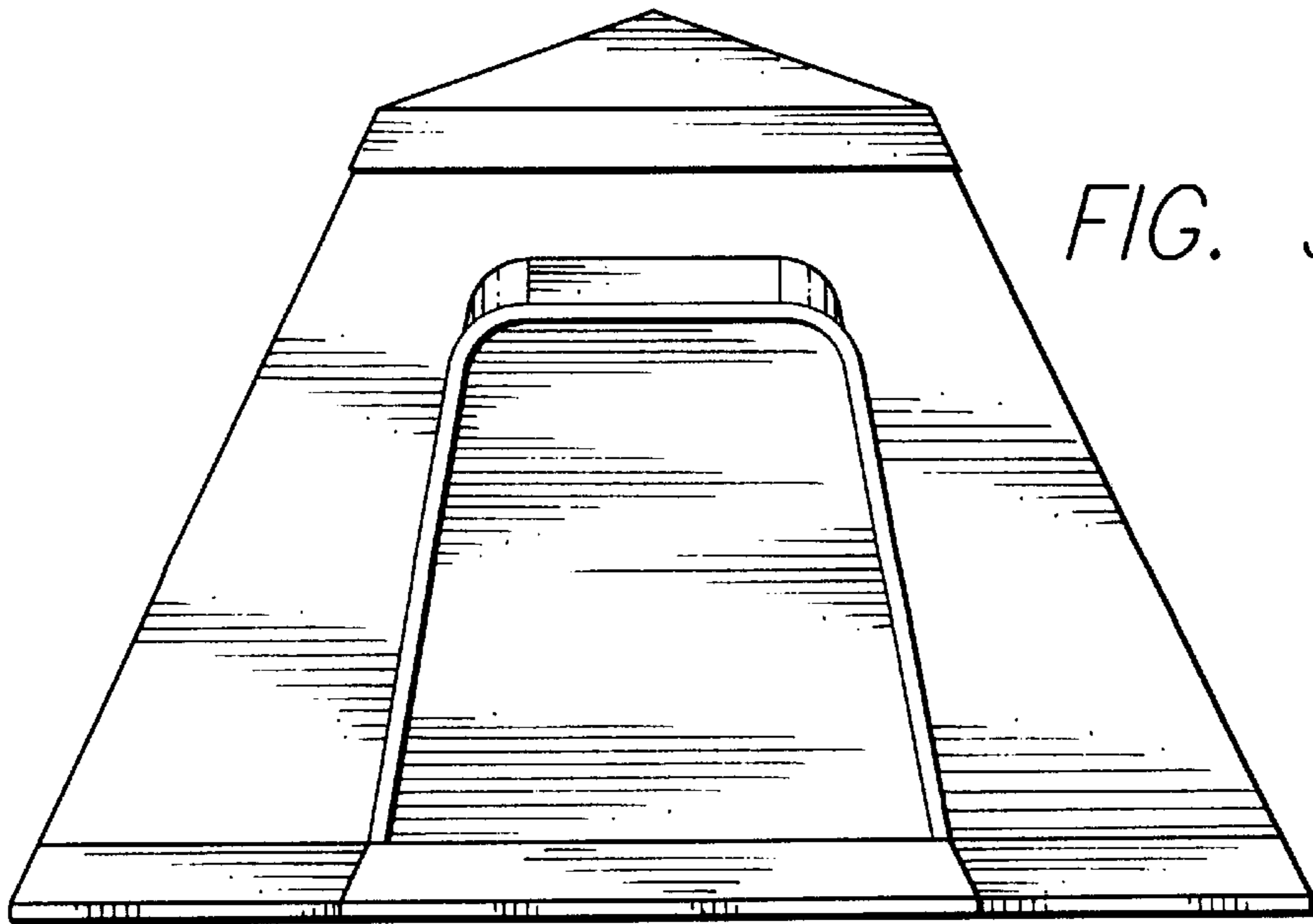
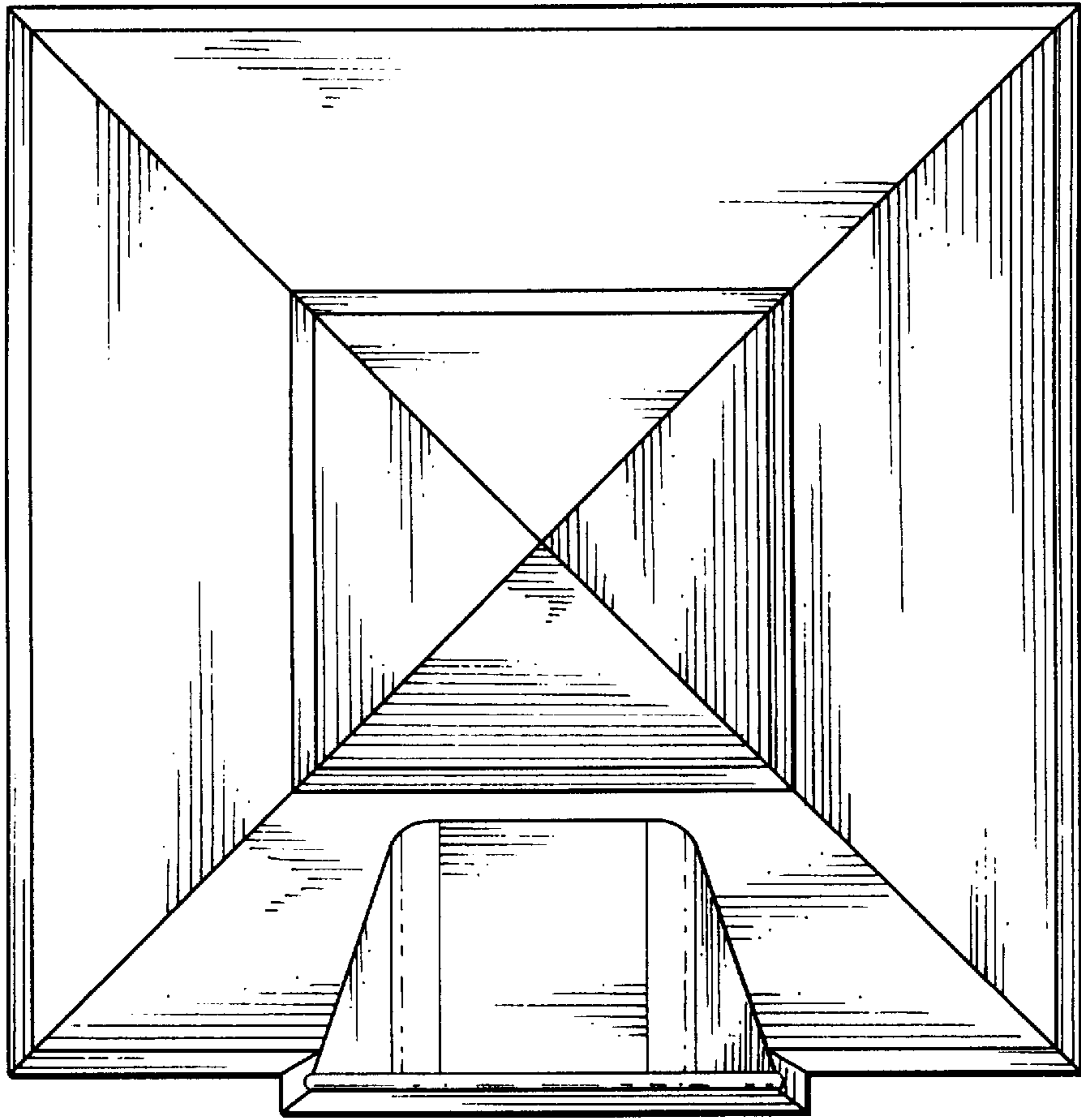


FIG. 3

FIG. 4

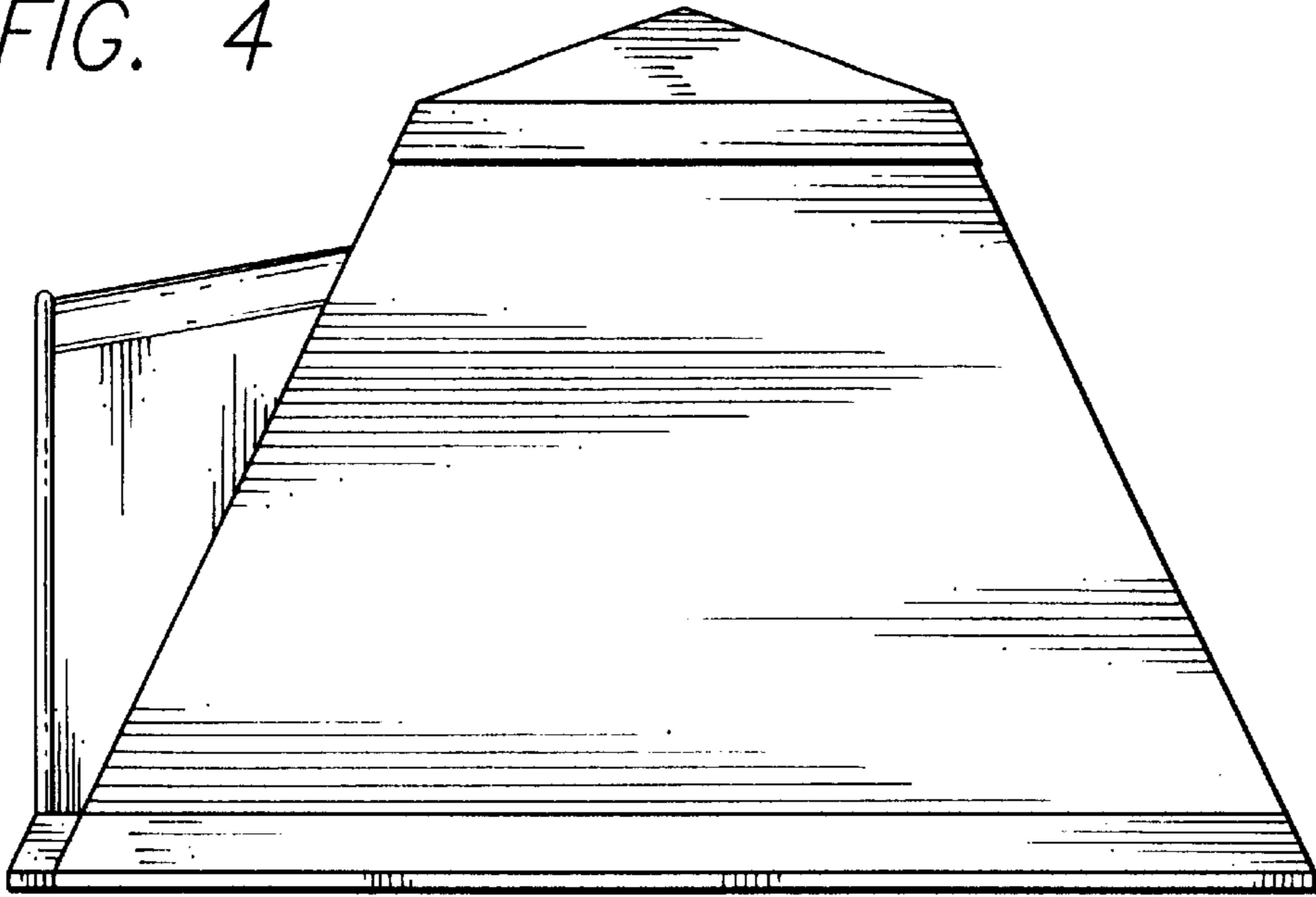


FIG. 5

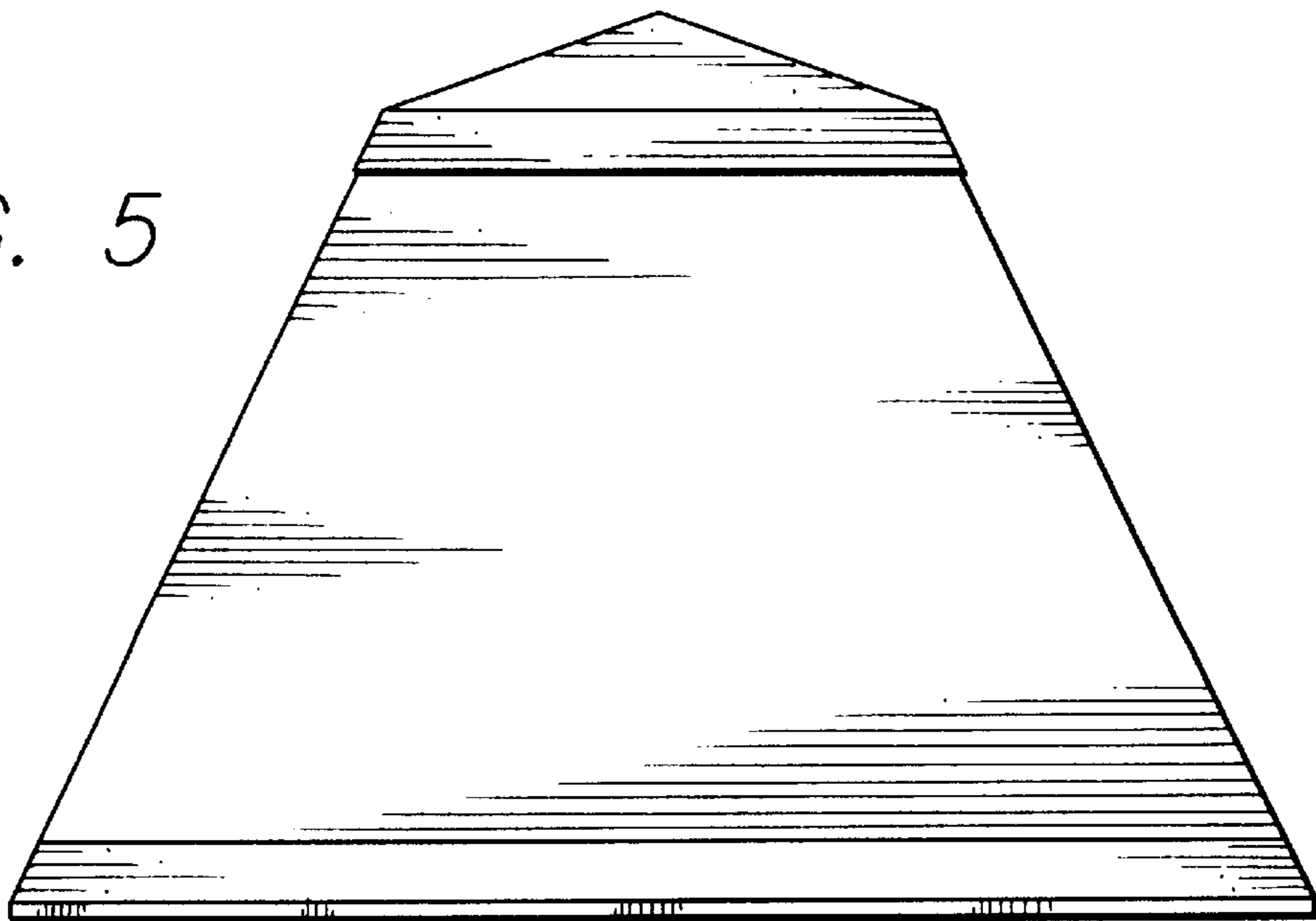


FIG. 6

