



US00D426678S

# United States Patent [19] Rule

[11] **Patent Number: Des. 426,678**  
[45] **Date of Patent: \*\* \*Jun. 13, 2000**

[54] **LACROSSE ELBOW PAD**

[76] Inventor: **Robert J. Rule**, 51 A Bayview Ave.,  
Port Washington, N.Y. 11050

[\*] Notice: This patent is subject to a terminal disclaimer.

[\*\*] Term: **14 Years**

[21] Appl. No.: **29/096,907**

[22] Filed: **Nov. 23, 1998**

### Related U.S. Application Data

[63] Continuation-in-part of application No. 29/073,096, Jun. 30, 1997, Pat. No. Des. 407,859.

[51] **LOC (7) Cl.** ..... **29-02**

[52] **U.S. Cl.** ..... **D29/121**

[58] **Field of Search** ..... D29/213, 120,  
D29/121, 122; D2/901, 860; 2/455, 22,  
23, 24, 16; 36/2 R; 602/3, 41, 27; D24/189,  
190

### [56] References Cited

#### U.S. PATENT DOCUMENTS

D. 249,596	9/1978	Rule .	
D. 255,728	7/1980	Baron .	
D. 338,280	8/1993	Krent et al. ....	D29/121
D. 377,851	2/1997	Dancyger .....	D29/121
D. 380,876	7/1997	Campbell .....	D29/121
D. 407,859	4/1999	Rule .....	D29/121
D. 408,596	4/1999	Dancyger .....	D29/121
4,198,708	4/1980	Fugere et al. .	

4,374,439	2/1983	Norman .
4,756,026	7/1988	Pierce, Jr. .
5,446,926	9/1995	Bourque et al. .
5,537,689	7/1996	Dancyger .

### OTHER PUBLICATIONS

Great Atlantic Lacrosse Company, Spring 1997 Catalogue, p. 11, STX and Brine Arm Guards.

*Primary Examiner*—Ruth McInroy  
*Attorney, Agent, or Firm*—Baker Botts L.L.P.

### [57] CLAIM

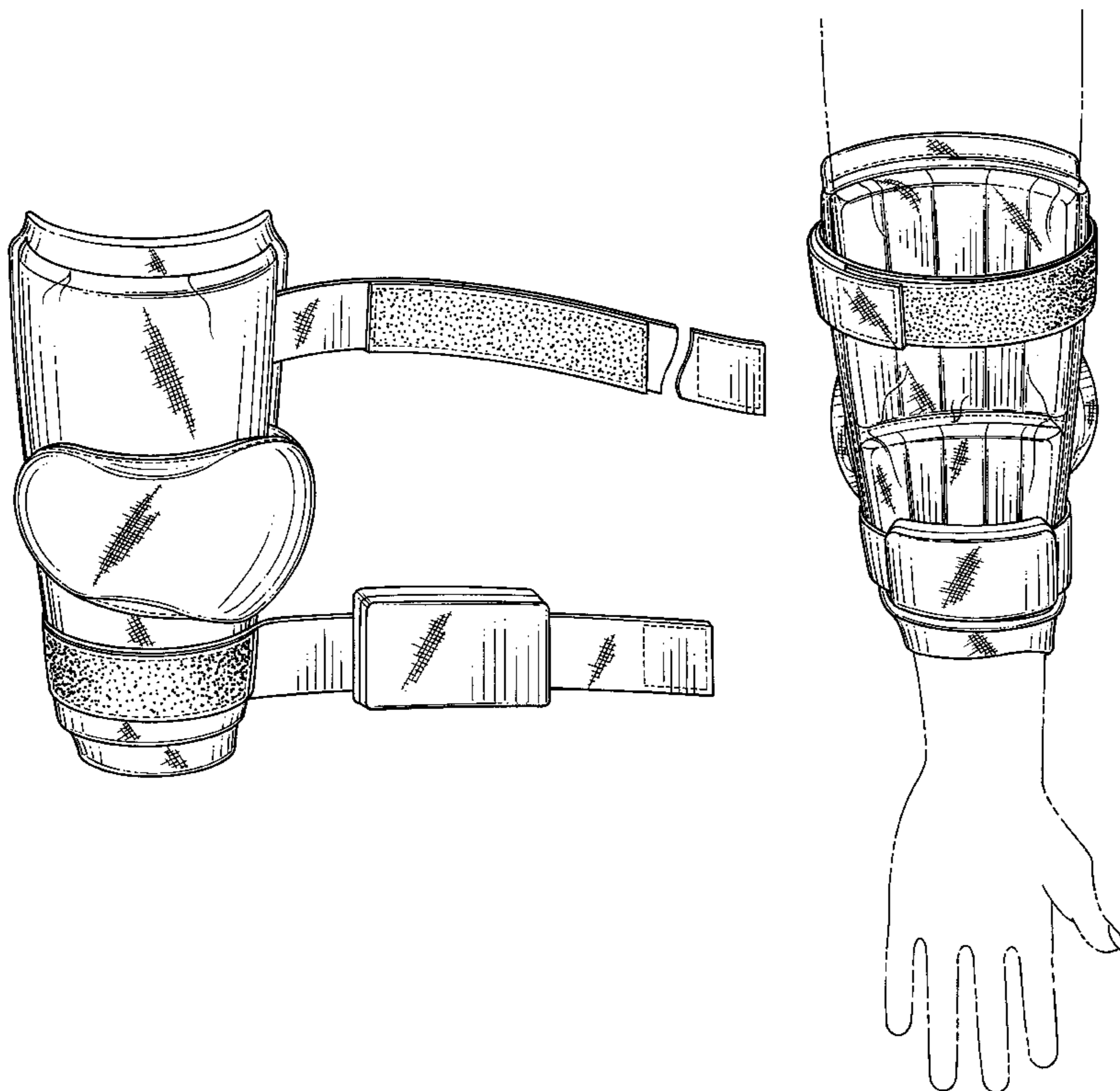
The ornamental design of a lacrosse elbow pad, as shown and described.

### DESCRIPTION

FIG. 1 is a perspective view of a lacrosse elbow pad showing my new design;  
FIG. 2 is a front elevation view thereof;  
FIG. 3 is a rear elevation view thereof;  
FIG. 4 is a left side elevation view thereof;  
FIG. 5 is a perspective view thereof, the arm and hand shown in broken lines is for illustrative purposes only and forms no part of the claimed design;  
FIG. 6 is a right side elevation view thereof;  
FIG. 7 is a bottom view in plan thereof; and,  
FIG. 8 is a top view in plan thereof.

The strap shown broken away in FIGS. 1-3 and 7-8 is understood to represent indeterminate length. The crosshatch shading is understood to repeat throughout the indicated area. The broken lines on the pad represent conventional stitching.

1 Claim, 7 Drawing Sheets



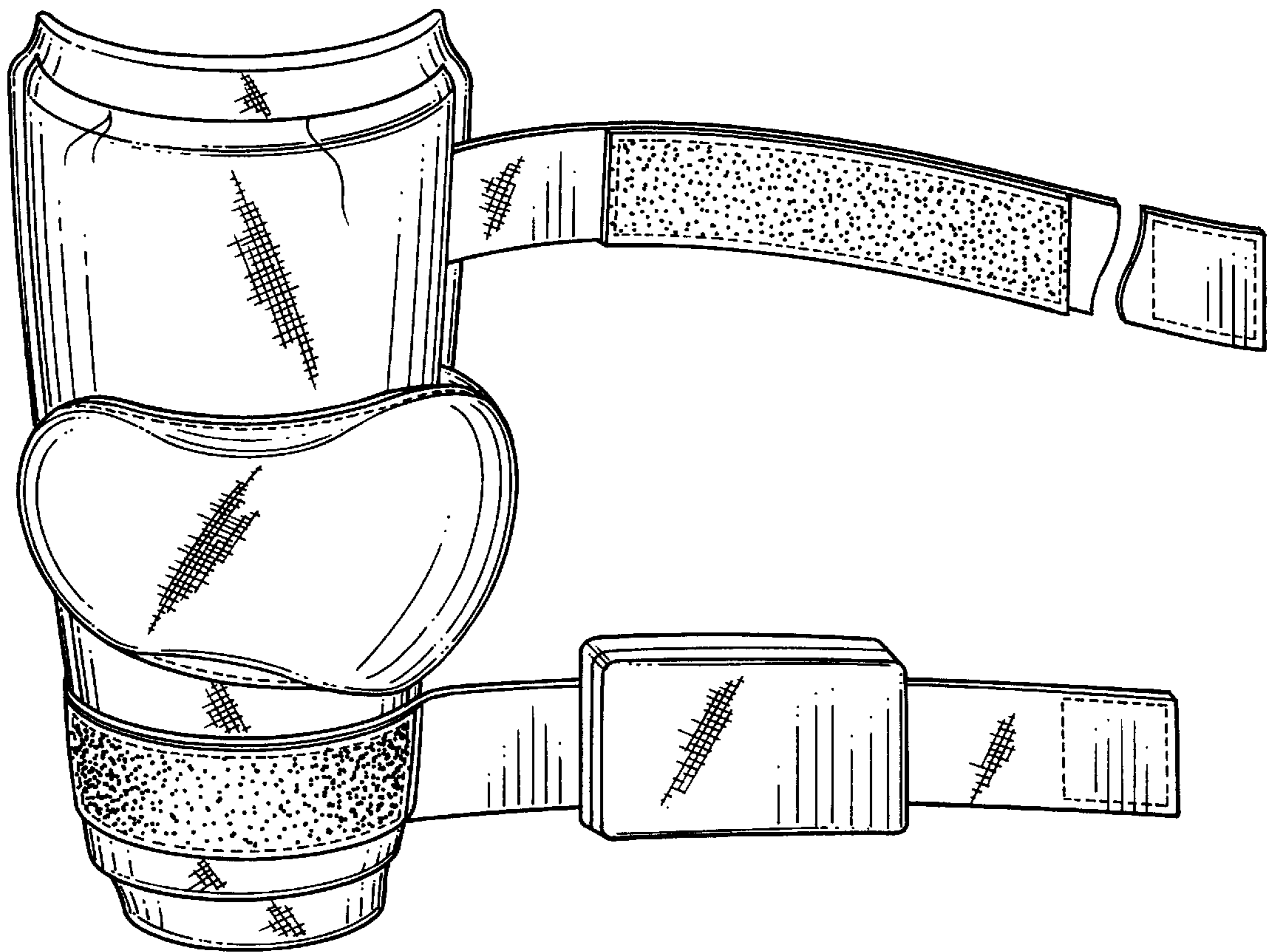


FIG. 1

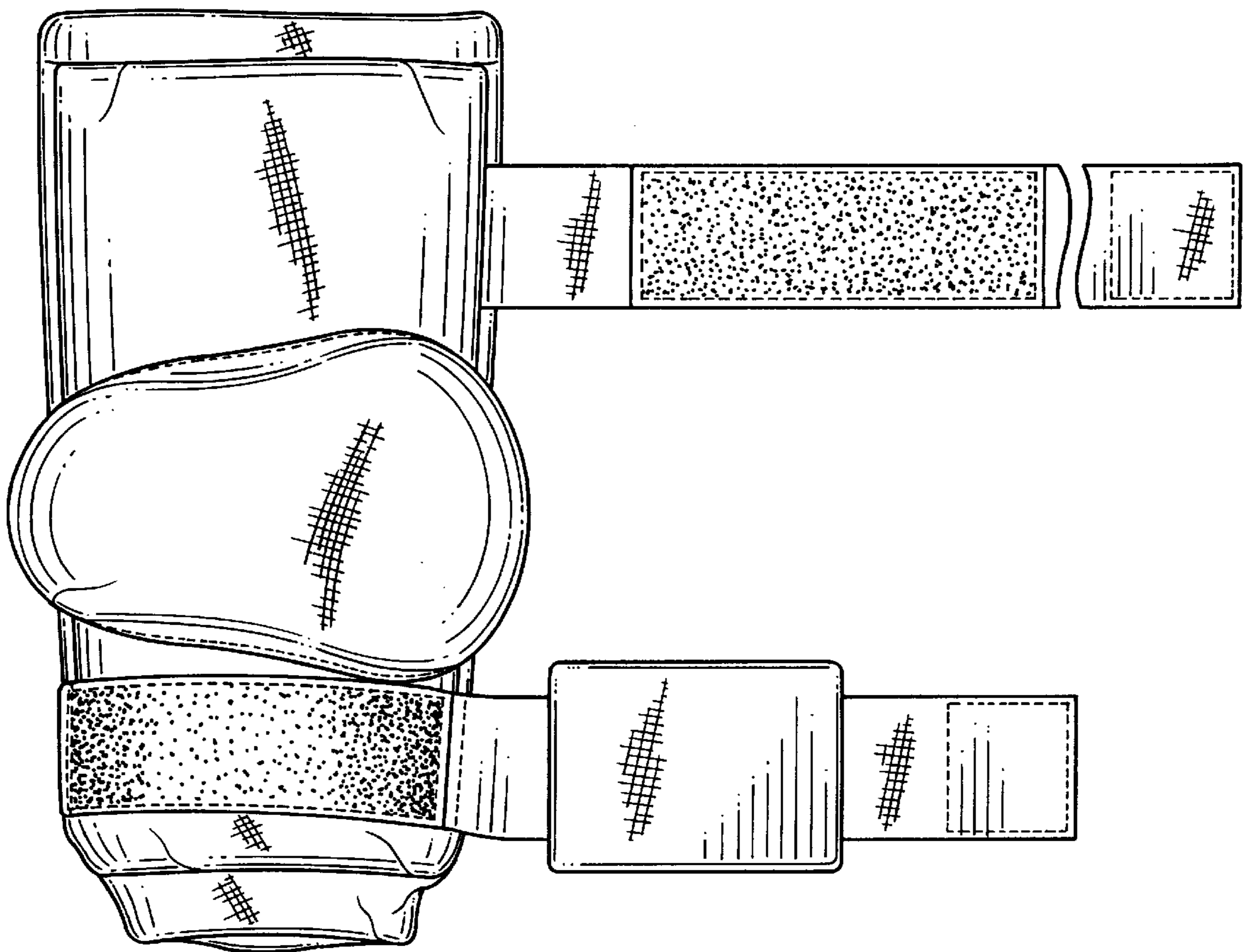


FIG. 2

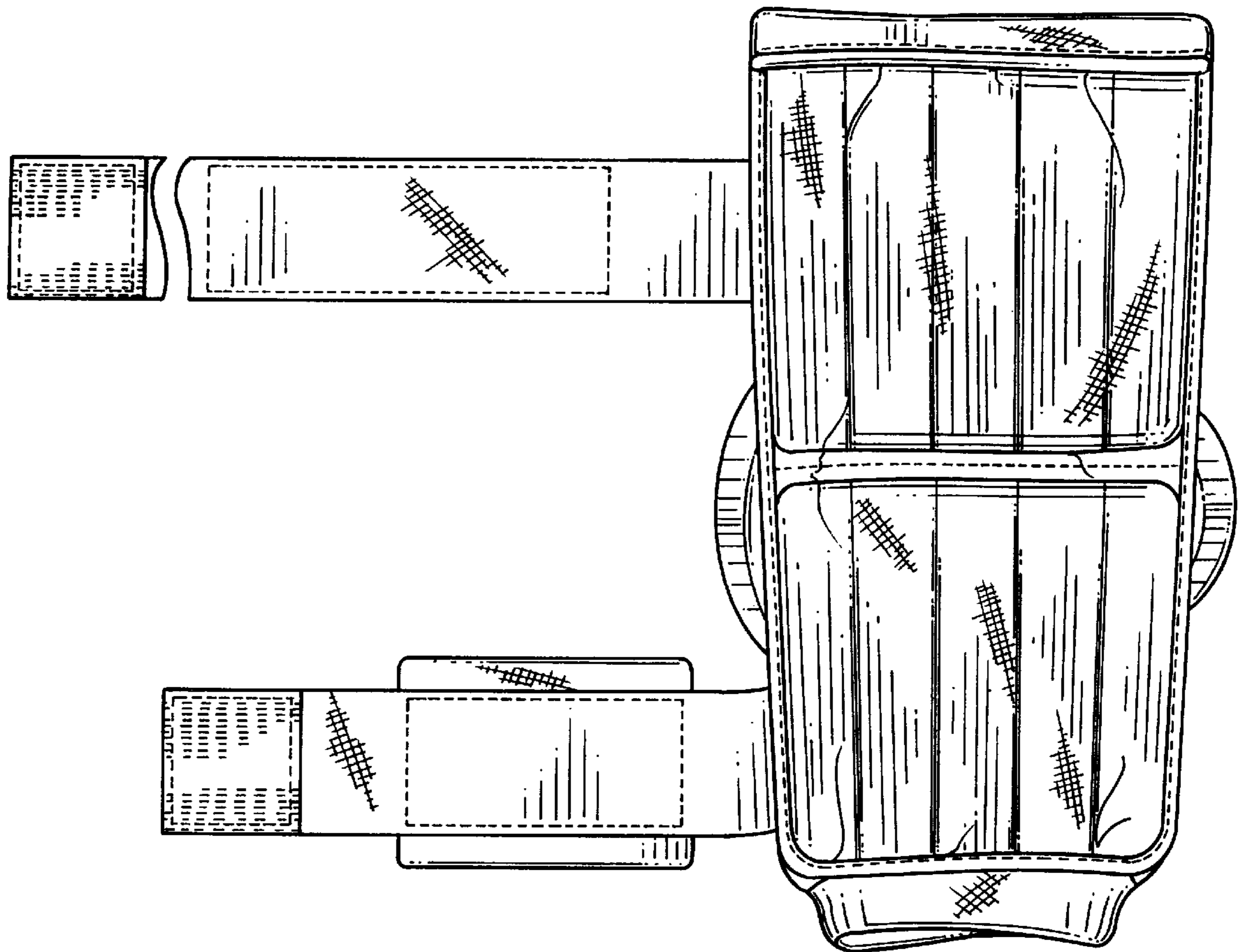


FIG. 3

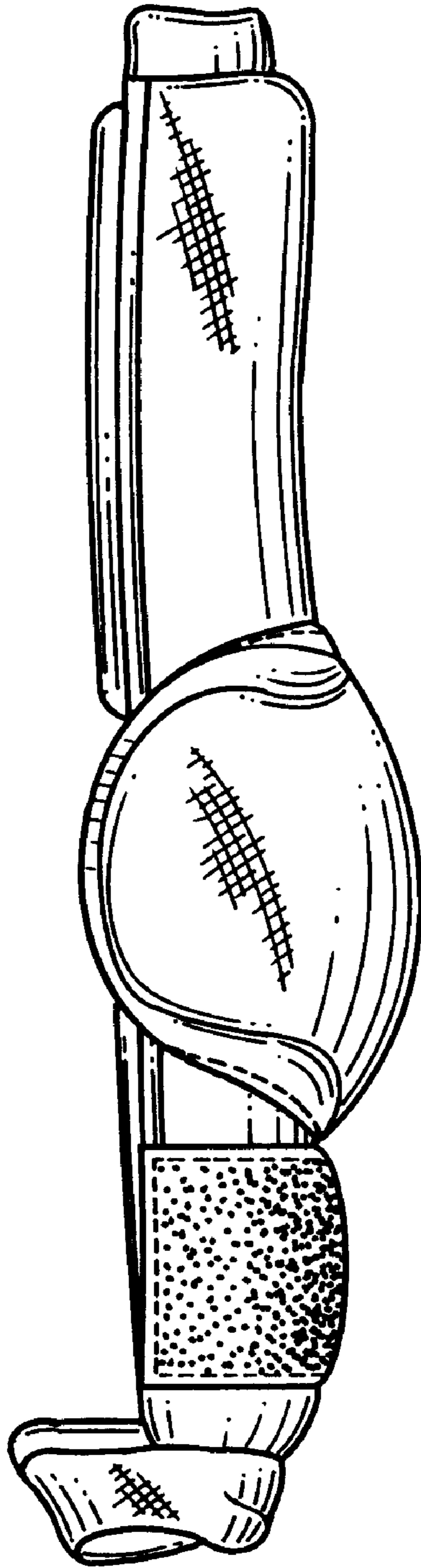


FIG. 4

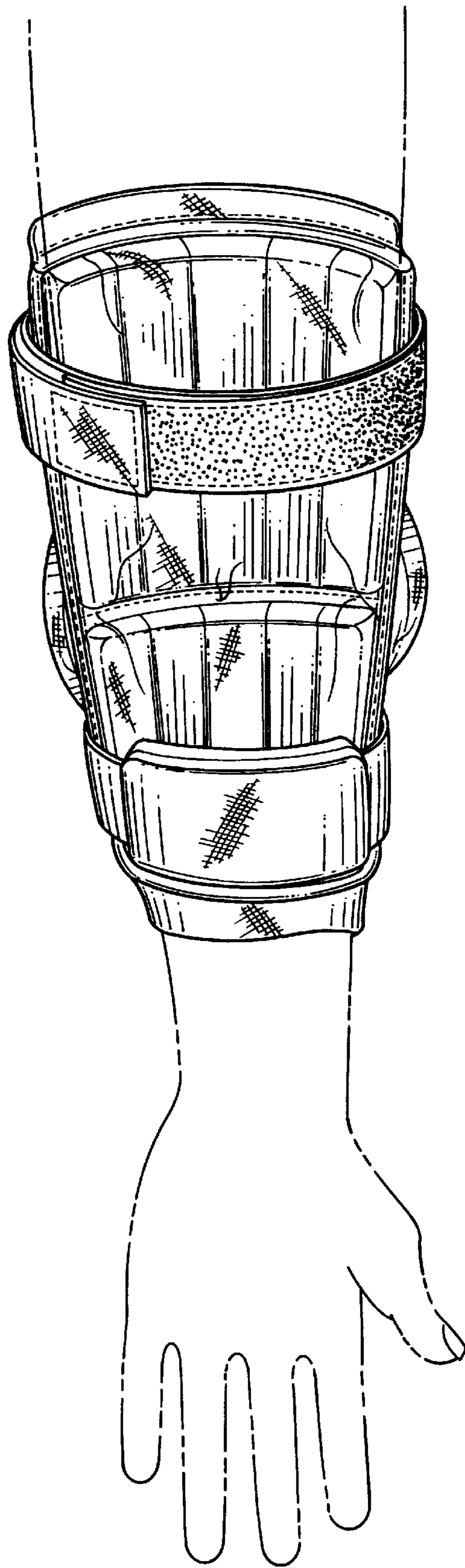


FIG. 5

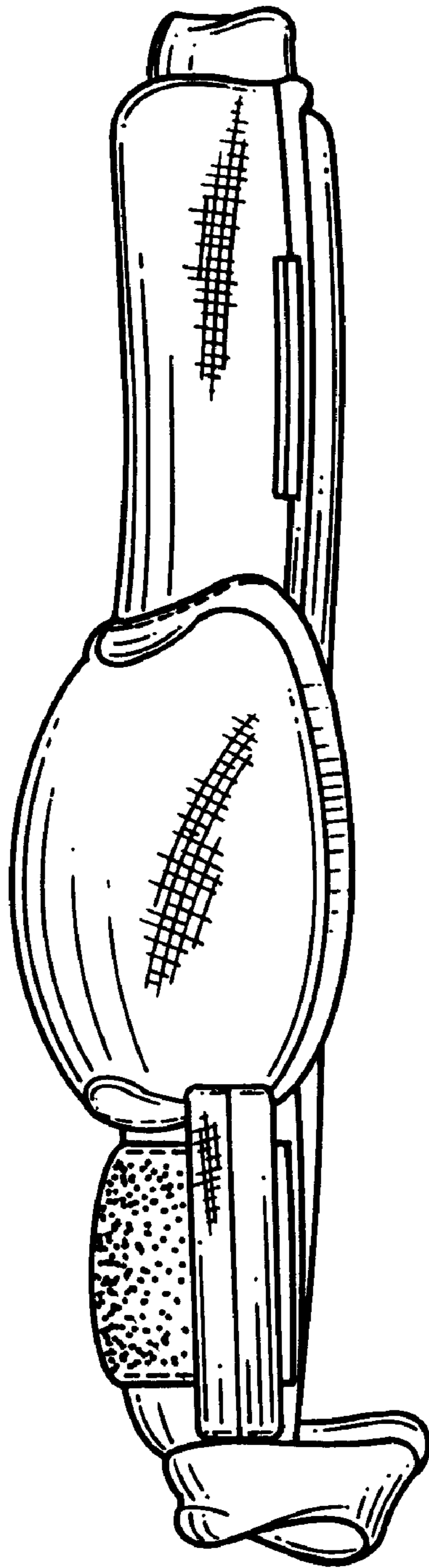


FIG. 6

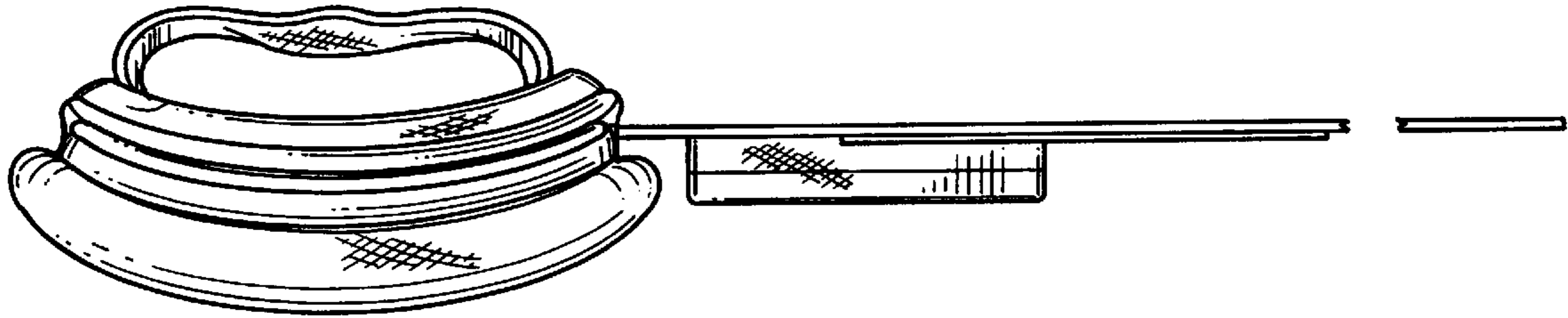


FIG. 7

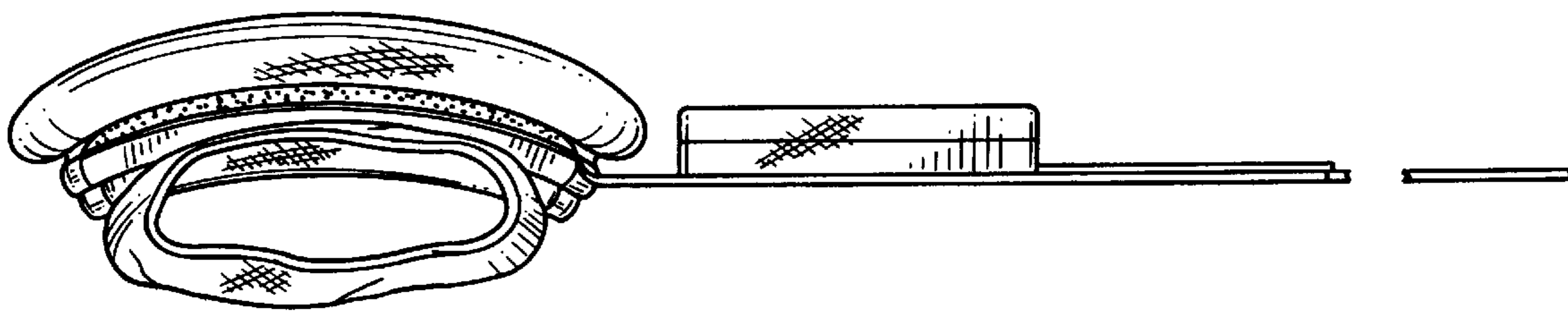


FIG. 8