



US00D426673S

United States Patent [19] Grigorian

[11] **Patent Number: Des. 426,673**

[45] **Date of Patent: ** Jun. 13, 2000**

[54] **COMBINED CIGARETTE HOLDER AND DISPENSER**

[76] Inventor: **Karin Grigorian**, 1117 Allen Ave.
#208, Glendale, Calif. 91201

[**] Term: **14 Years**

[21] Appl. No.: **29/104,607**

[22] Filed: **May 6, 1999**

[51] **LOC (7) Cl.** **27-06**

[52] **U.S. Cl.** **D27/184; D27/187**

[58] **Field of Search** D27/172, 183,
D27/184, 186, 187, 189; 206/242, 249,
250, 251, 252, 253, 254, 255; 131/329;
221/281

[56] **References Cited**

U.S. PATENT DOCUMENTS

D. 360,484	7/1995	Estabaya	D27/187
D. 417,309	11/1999	Morris	D27/184
2,618,379	11/1952	Hardy	221/281
5,086,918	2/1992	D'Antonio	206/252 X
5,277,315	1/1994	Plein	206/256
5,465,738	11/1995	Rowland	131/329

Primary Examiner—Susan J. Lucas
Assistant Examiner—Jennifer Rivard

[57] **CLAIM**

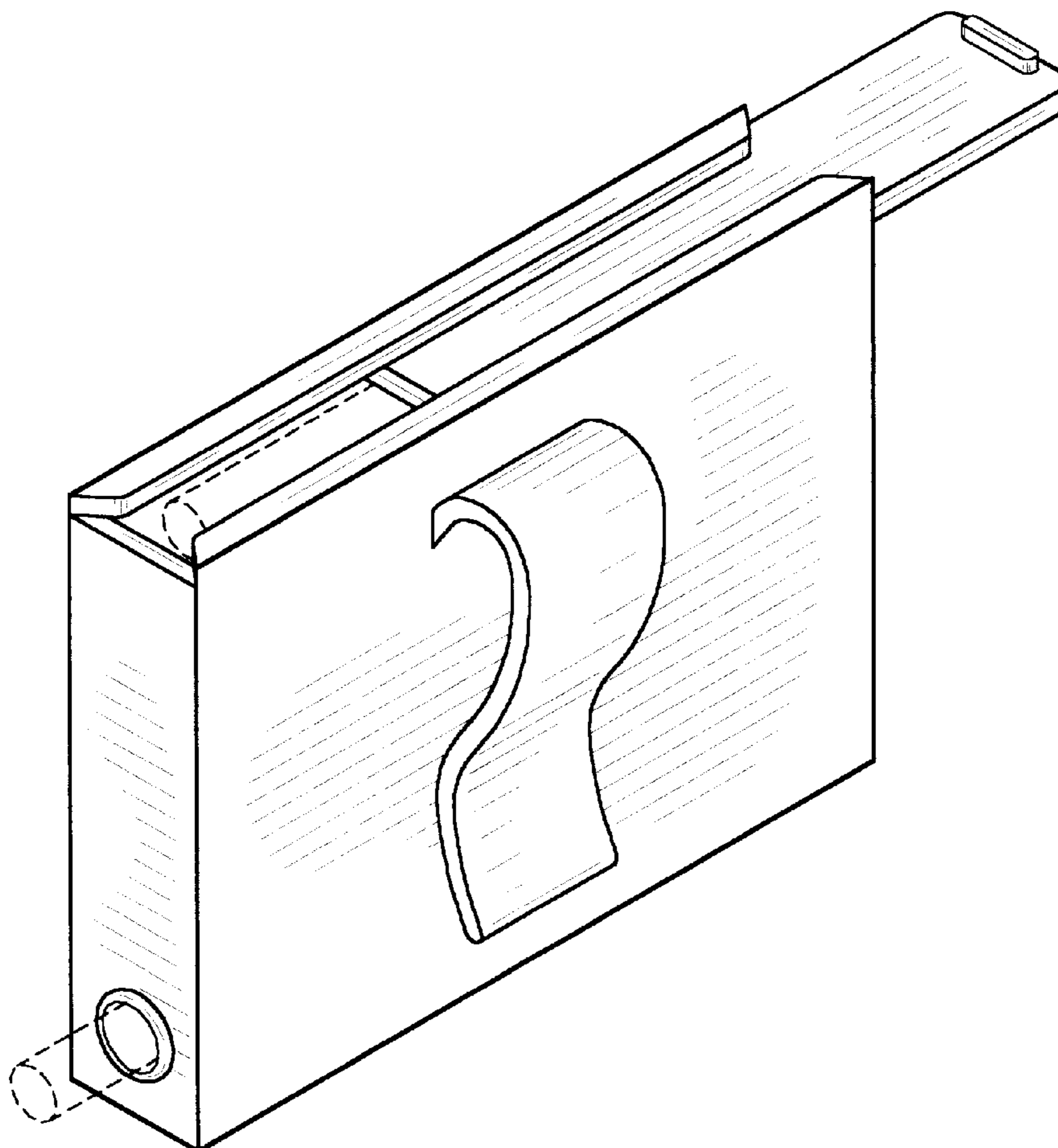
The ornamental design for a combined cigarette holder and dispenser, as shown and descibed.

DESCRIPTION

FIG. 1 is a front elevational view of the combined cigarette holder and dispenser of the present invention;
 FIG. 2 is a back elevational view of the combined cigarette holder and dispenser of FIG. 1;
 FIG. 3 is a left side elevational view of the combined cigarette holder and dispenser of FIG. 1;
 FIG. 4 is a right side elevational view of the combined cigarette holder and dispenser of FIG. 1;
 FIG. 5 is a top plan view of the combined cigarette holder and dispenser of FIG. 1;
 FIG. 6 is a bottom plan view of the combined cigarette holder and dispenser of FIG. 1; and,
 FIG. 7 is a top, front, right side perspective view of the combined cigarette holder and dispenser of FIG. 1 in an alternate position.

The broken lines showing of a cigarettes in FIG. 7 are for illustrative purposes only and form no part of the claimed design.

1 Claim, 3 Drawing Sheets



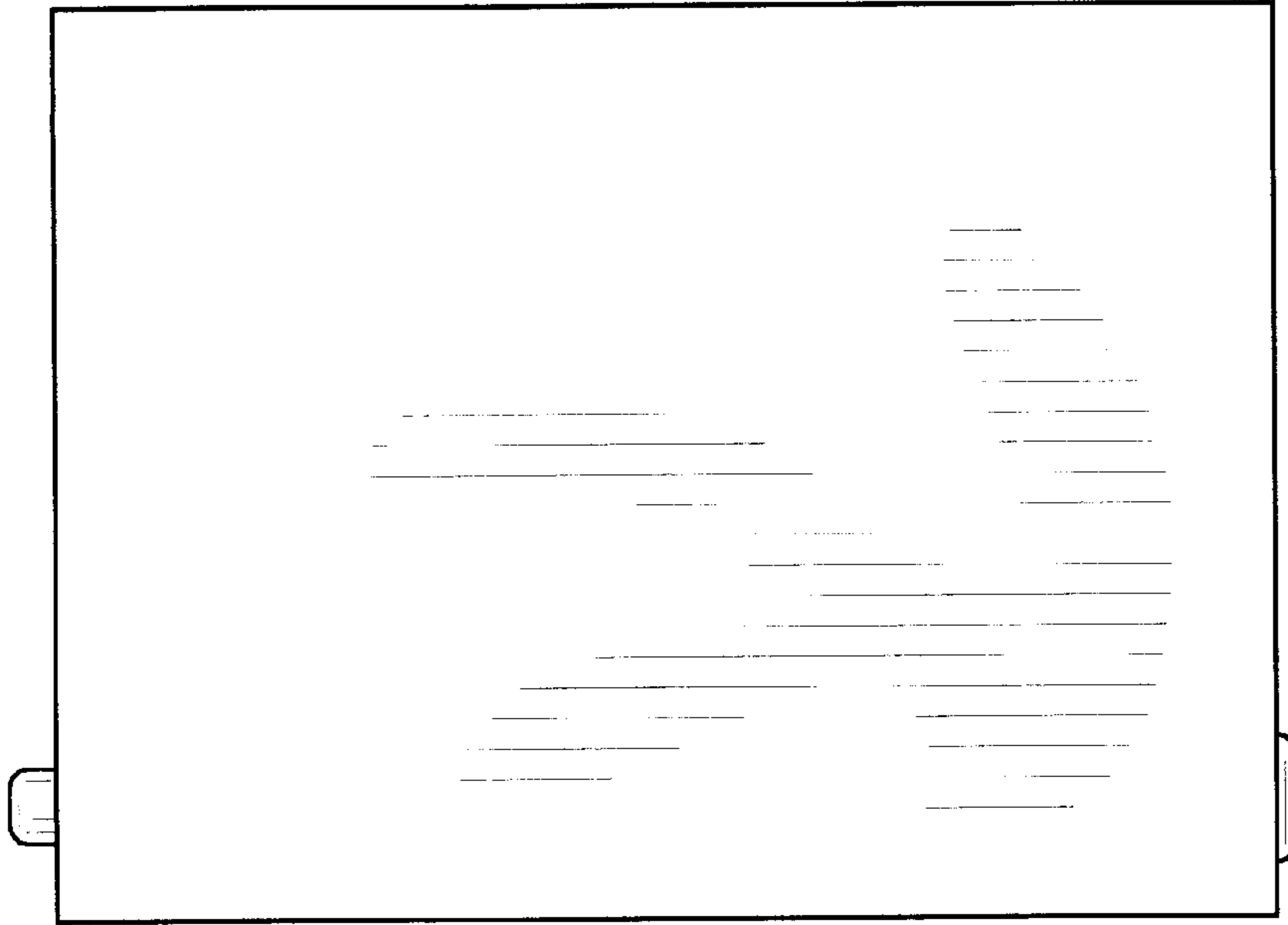


Fig. 1

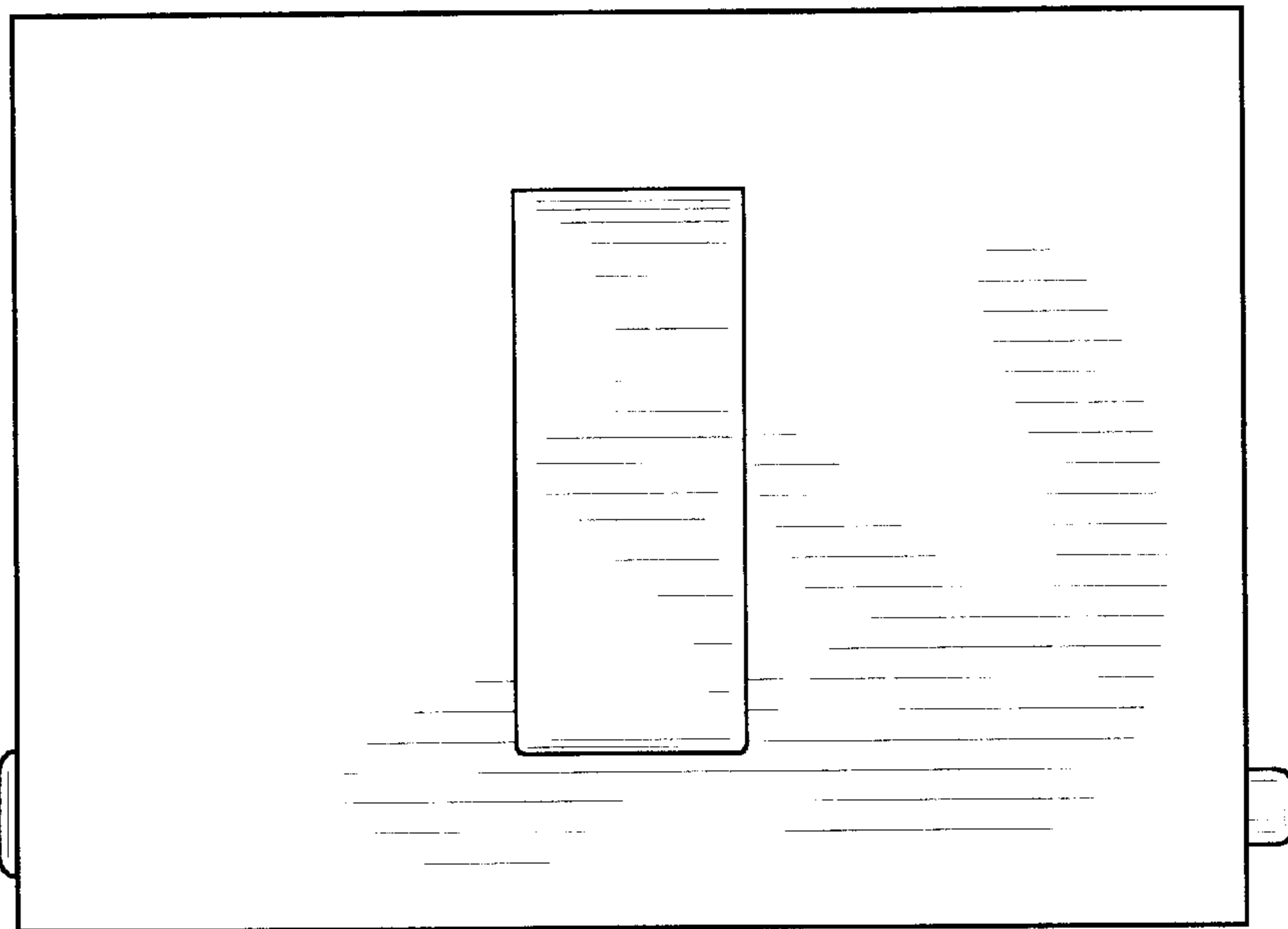


Fig. 2

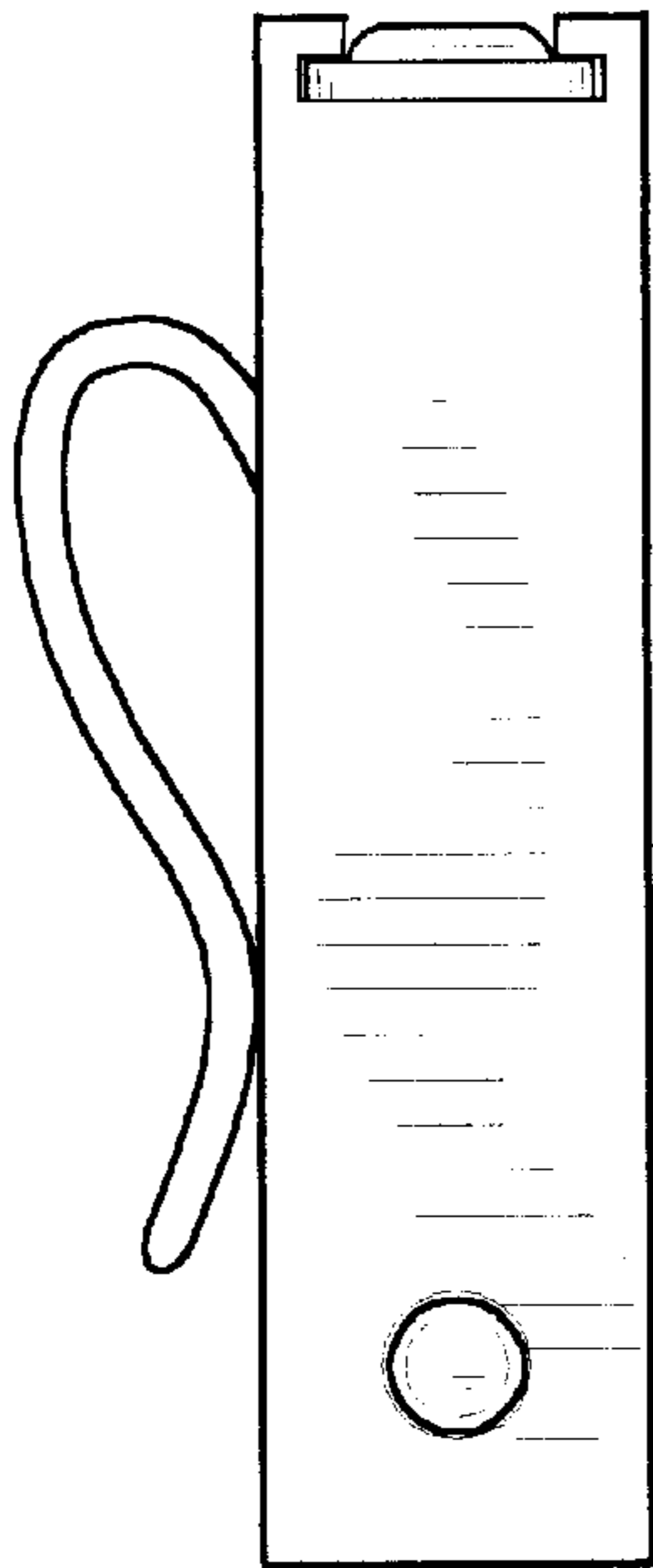


Fig. 3

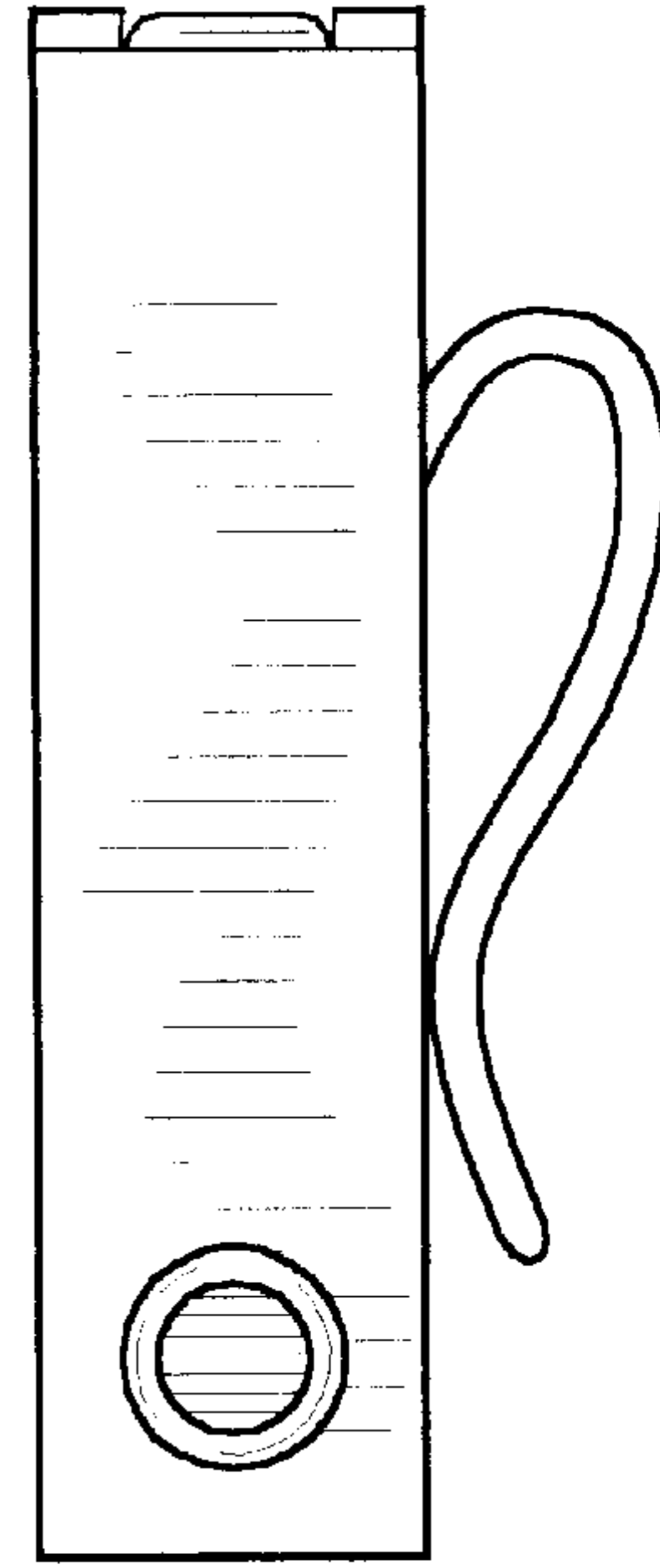


Fig. 4

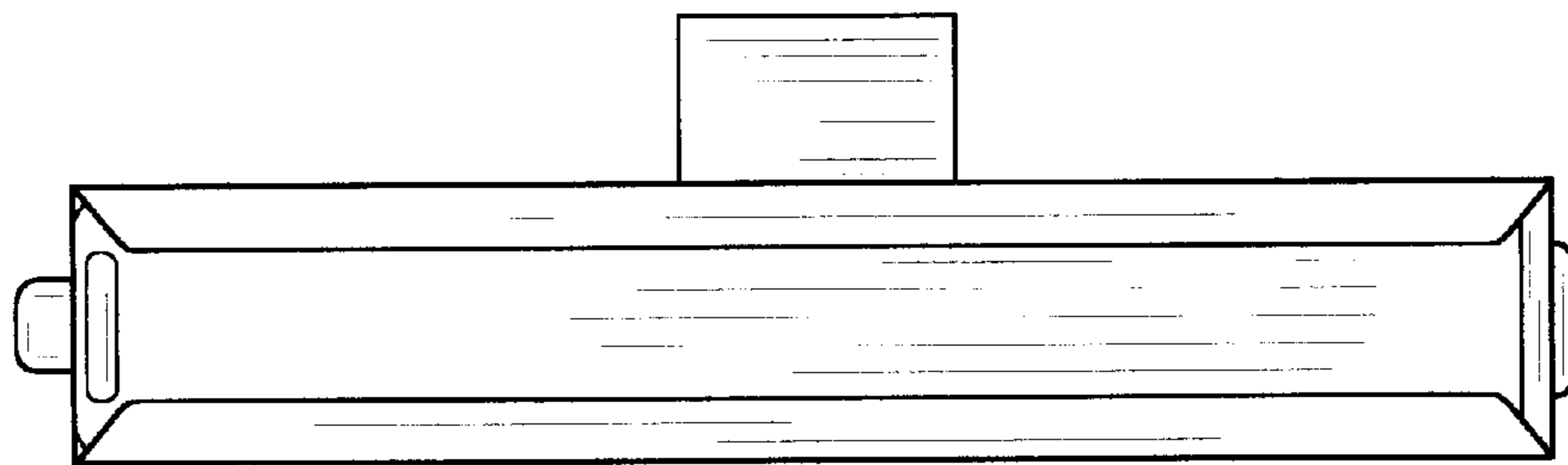


Fig. 5

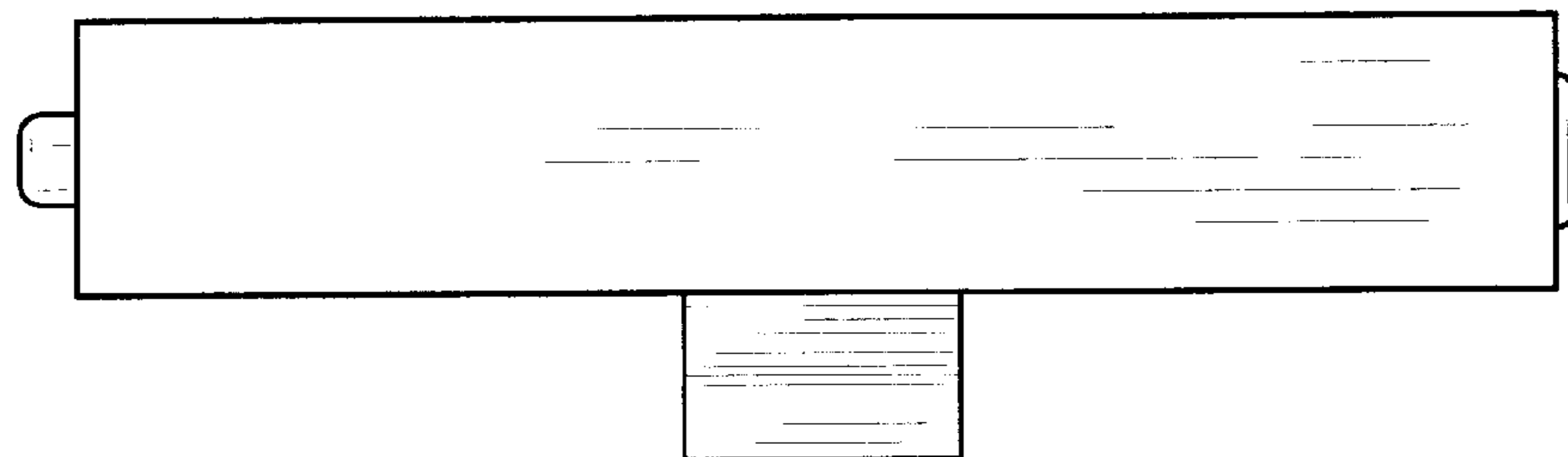


Fig. 6

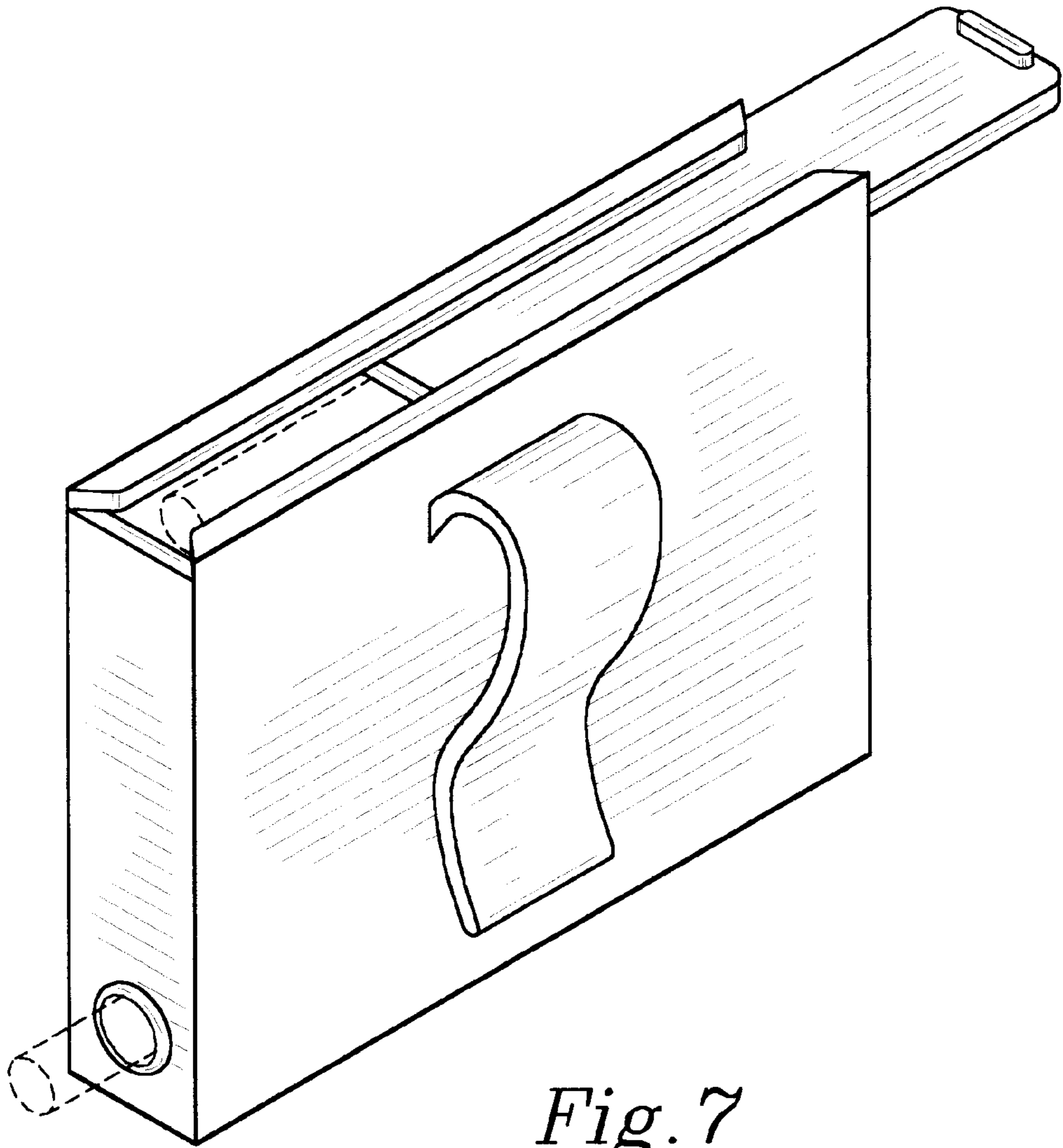


Fig. 7