



US00D426669S

United States Patent [19]
Nicholas

[11] **Patent Number: Des. 426,669**
[45] **Date of Patent: ** Jun. 13, 2000**

[54] **GLASS SHADE**

Attorney, Agent, or Firm—Watts, Hoffmann, Fisher & Heinke Co., L.P.A.

[75] Inventor: **Kenneth J. Nicholas**, Parma, Ohio

[73] Assignee: **The L.D. Kichler Co.**, Cleveland, Ohio

[57] **CLAIM**

[**] Term: **14 Years**

I claim the ornamental design for a glass shade, as shown and described.

[21] Appl. No.: **29/103,183**

DESCRIPTION

[22] Filed: **Apr. 9, 1999**

[51] **LOC (7) Cl.** **26-05**

[52] **U.S. Cl.** **D26/131**

[58] **Field of Search** D26/80, 81, 82,
D26/83, 84, 85, 86, 87, 88, 89, 90, 91,
128-36; 362/404-408, 326, 327, 329, 330,
334, 335, 338, 339, 340, 350, 351, 352

FIG. 1 is a perspective view of a glass shade showing my new design;

FIG. 2 is a left side elevational view of the glass shade, the right side elevational view being identical;

FIG. 3 is a front elevational view of the glass shade, the rear elevational view being identical;

FIG. 4 is a top plan view of the glass shade; and,

FIG. 5 is a bottom plan view of the glass shade.

The broken lines shown are for illustrative purposes only and form no part of the claimed design.

[56] **References Cited**

U.S. PATENT DOCUMENTS

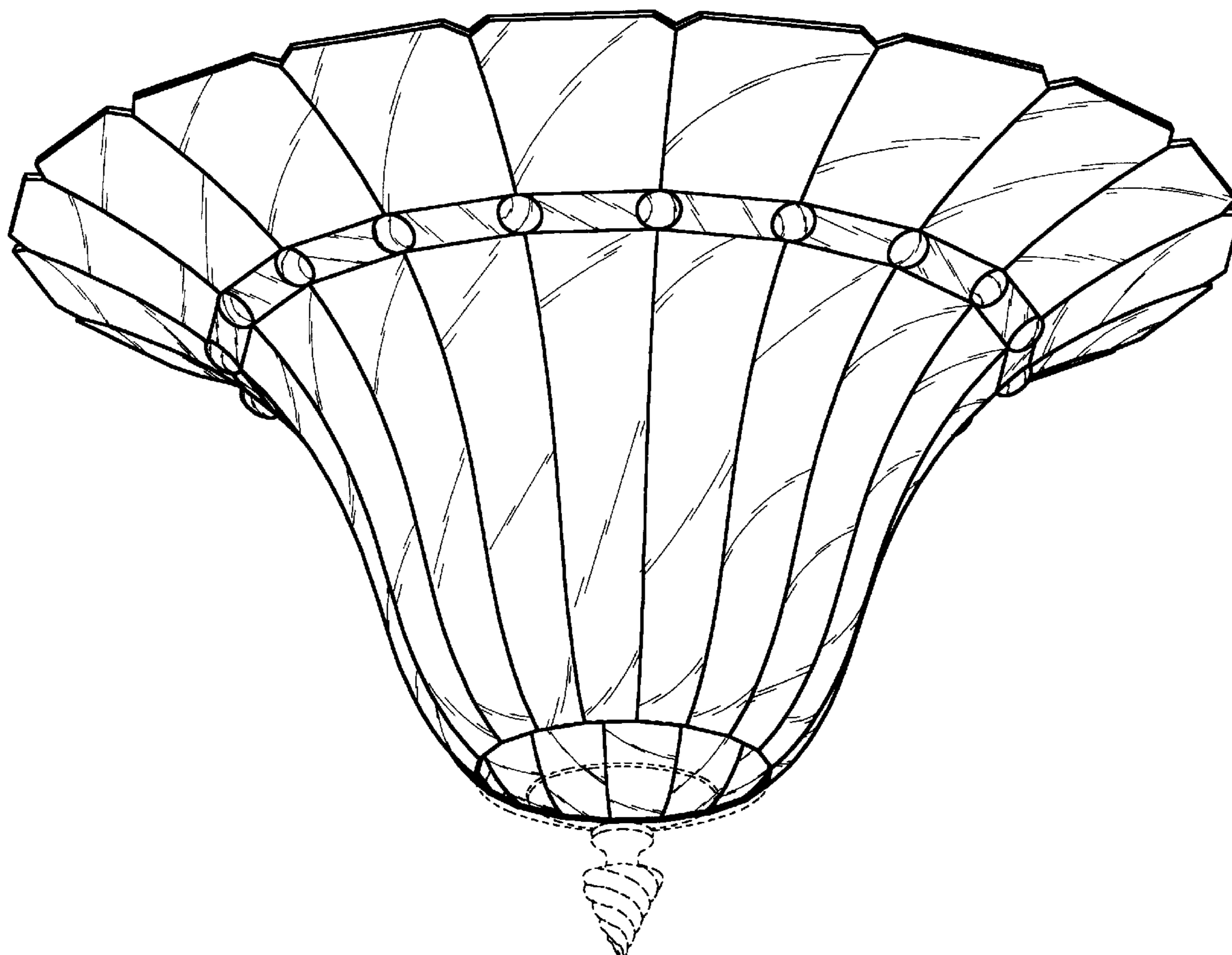
D. 394,127 5/1998 Dolan D26/134

OTHER PUBLICATIONS

Murray Feiss Lighting catalog, Mar. 1995, p. 41, chandelier #F1534/1VG.

Primary Examiner—Susan J. Lucas

1 Claim, 3 Drawing Sheets



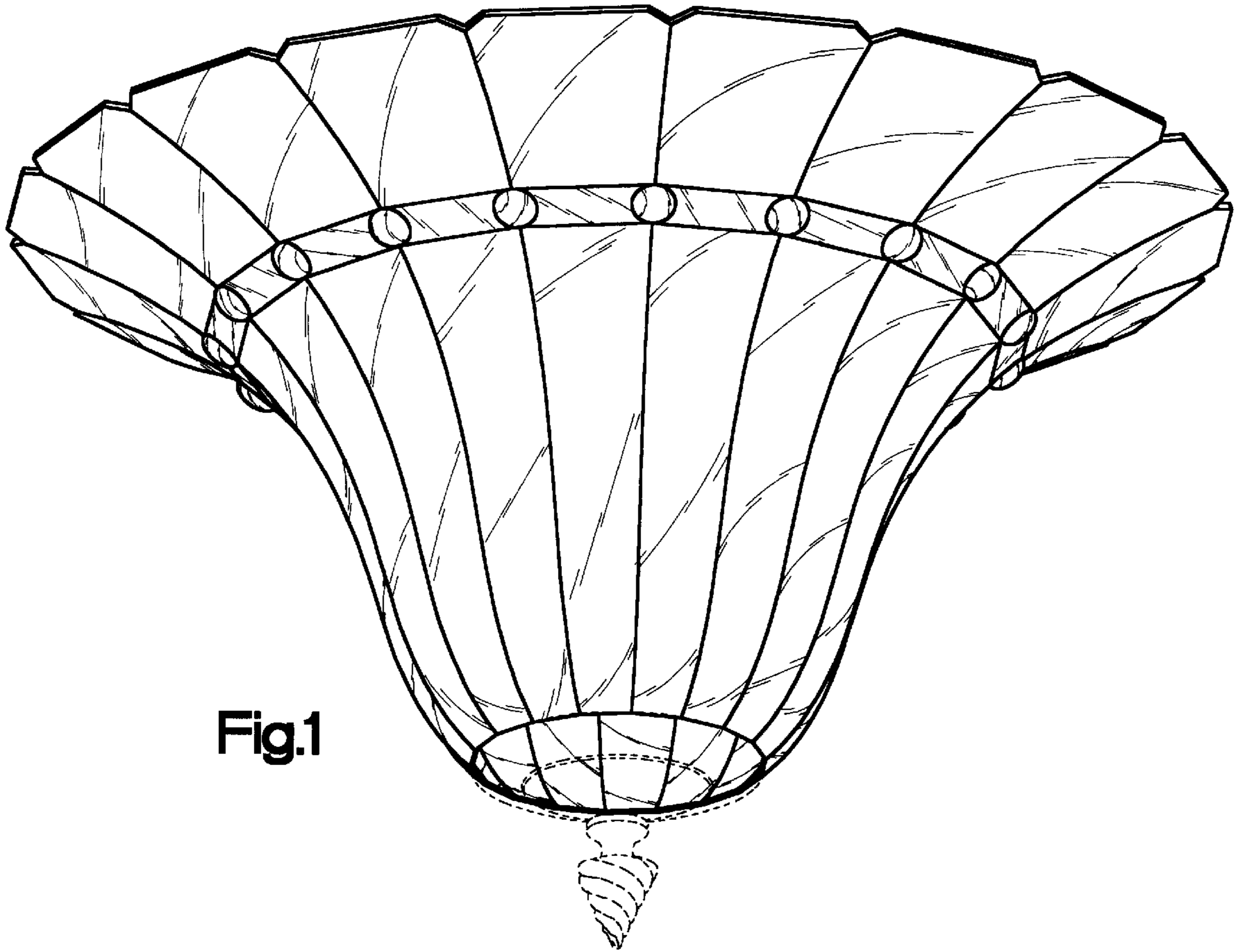


Fig.1

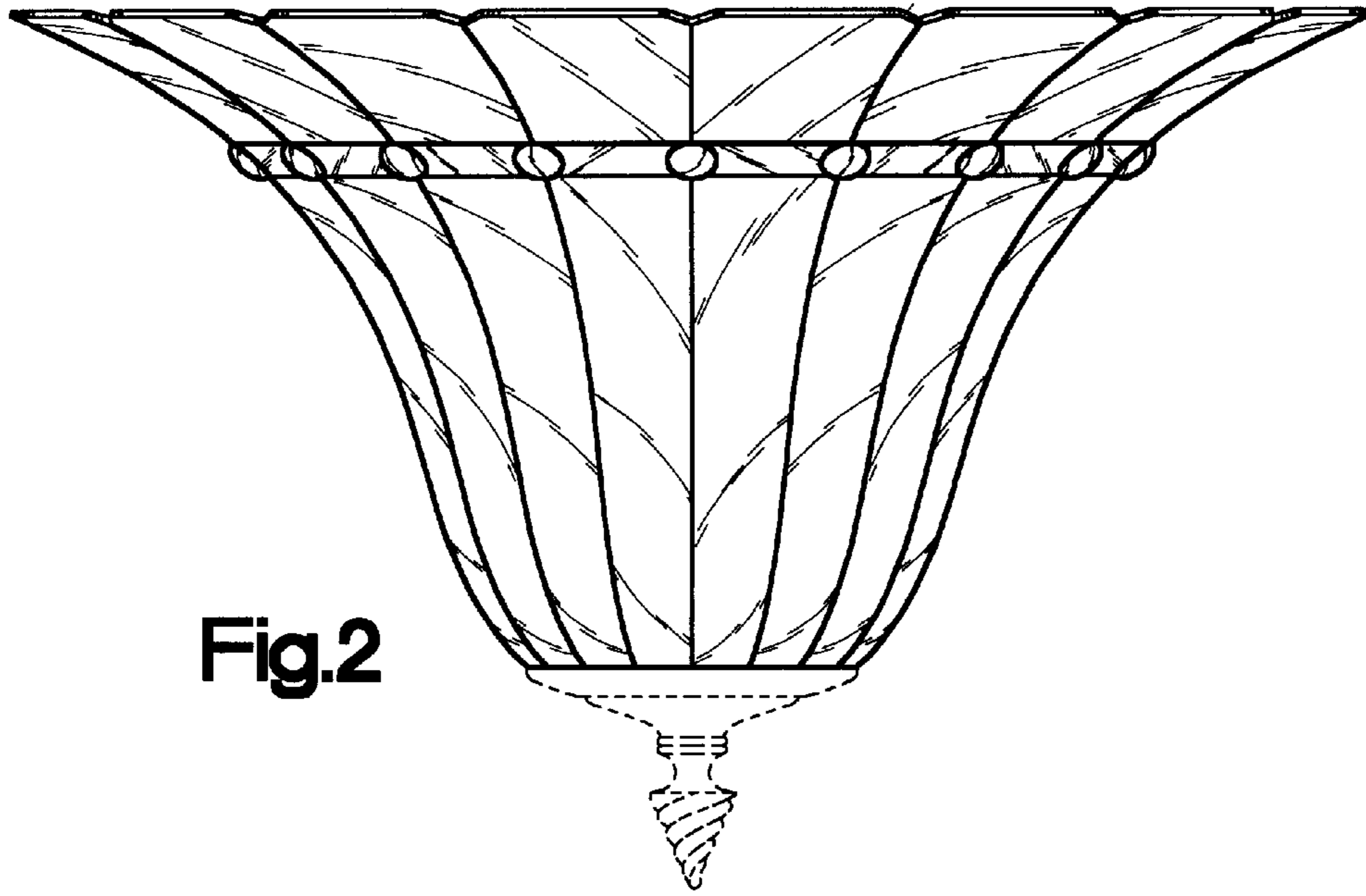


Fig. 2

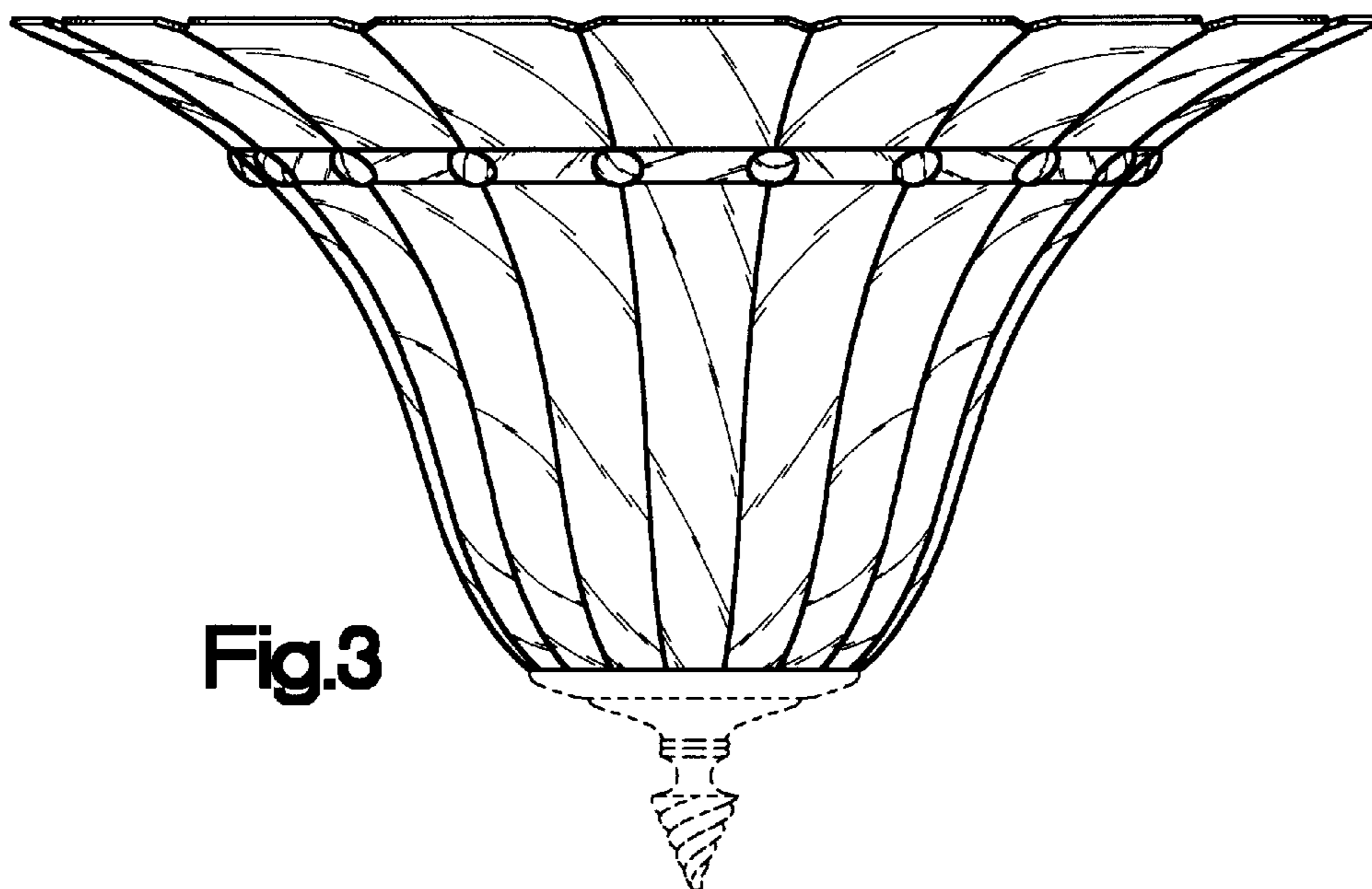


Fig. 3

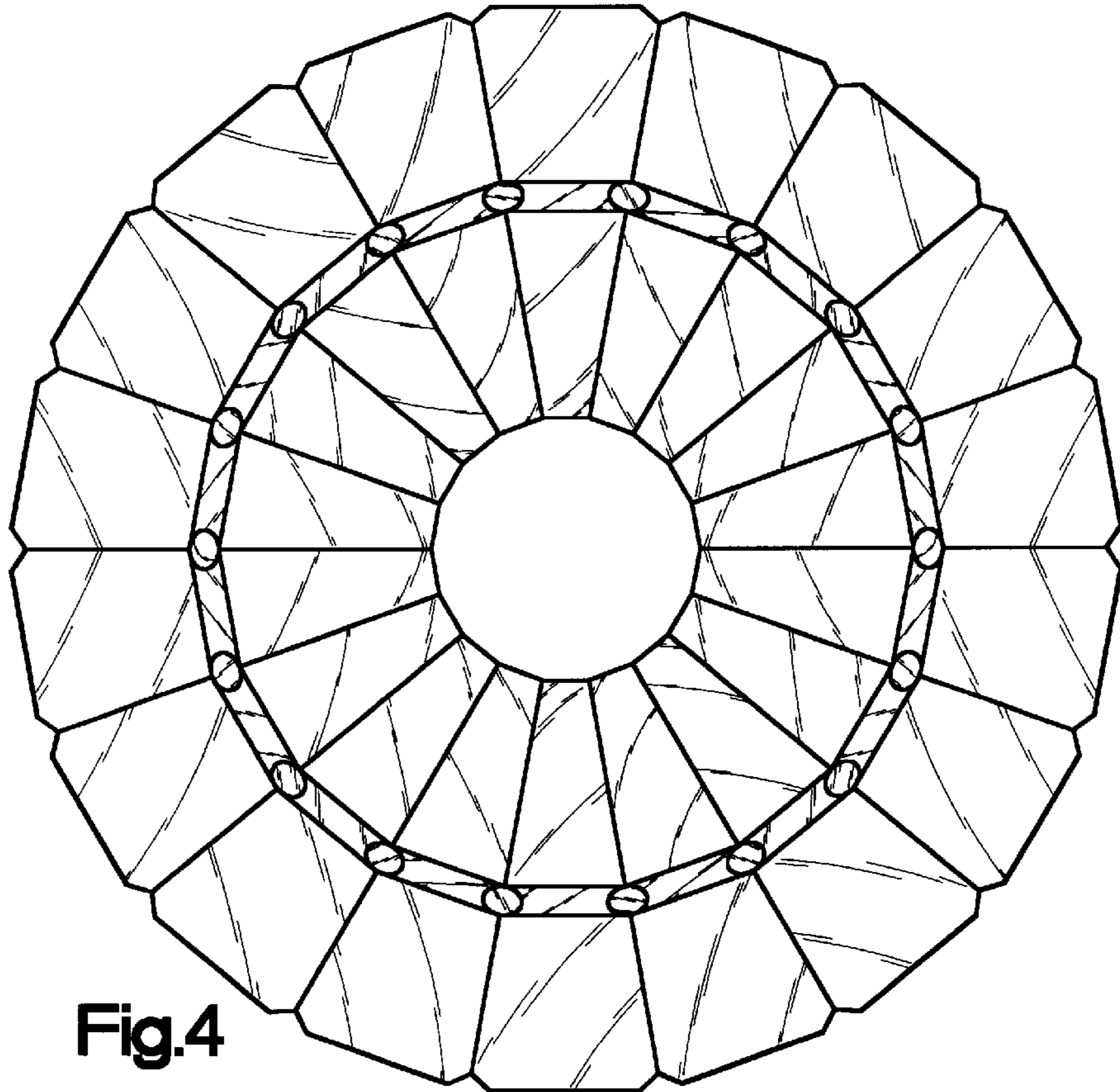


Fig.4

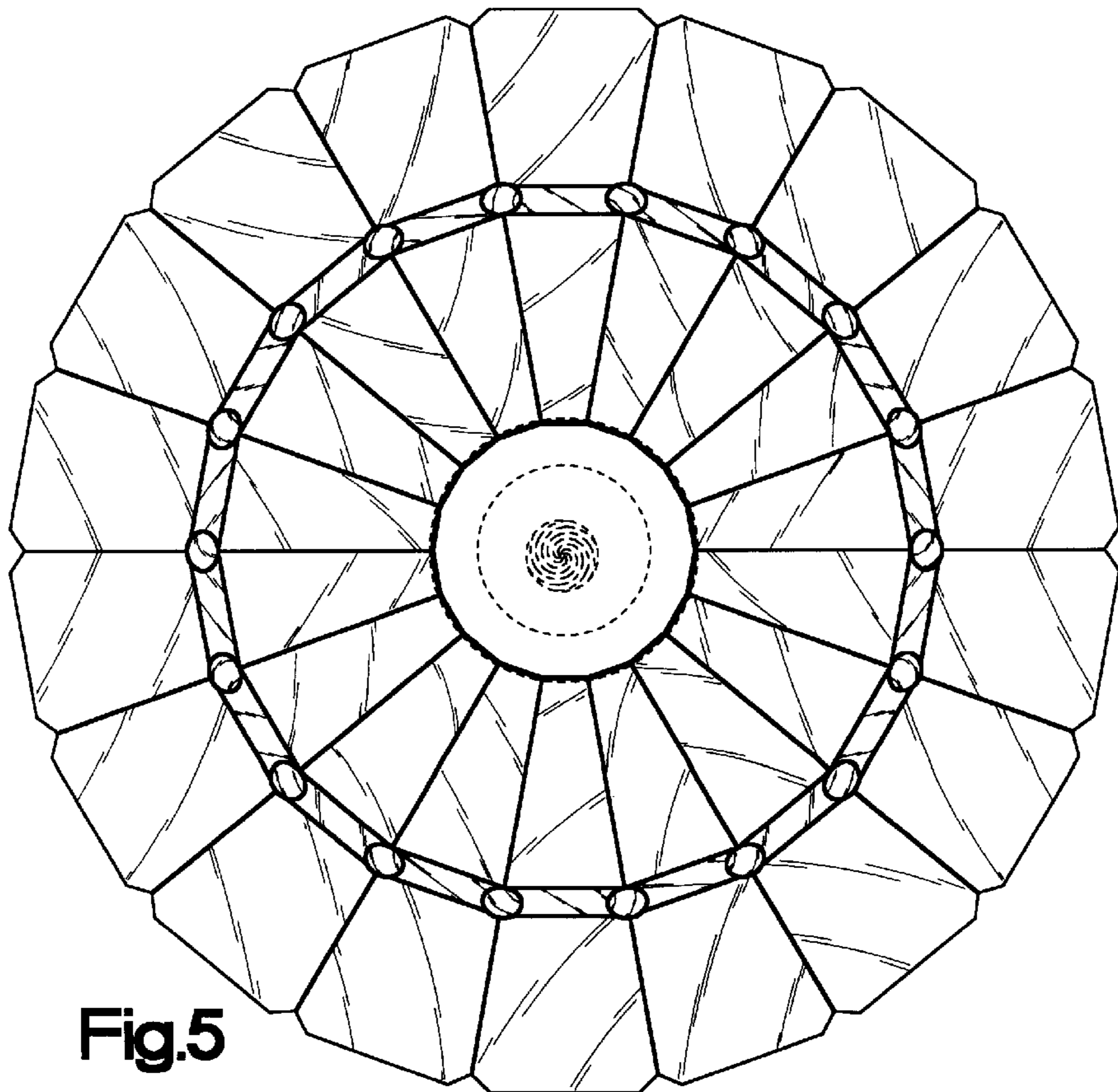


Fig.5