



US00D426663S

United States Patent [19]

[11] **Patent Number: Des. 426,663**

Ewing et al.

[45] **Date of Patent: ** Jun. 13, 2000**

[54] **SUSPENDED LUMINAIRE**

2,612,600 9/1952 Yonkers 362/341

[75] Inventors: **Robert L. Ewing; Larry R. Armstrong**, both of Newark, Ohio

OTHER PUBLICATIONS

Forecast Lighting catalog, Dec. 1993, p. 53, hanging lamp #5300-57.

[73] Assignee: **Holophane Corporation**, Newark, Ohio

Primary Examiner—Susan J. Lucas

[**] Term: **14 Years**

[57] CLAIM

[21] Appl. No.: **29/106,646**

The ornamental design for a suspended luminaire, as shown and described.

[22] Filed: **Jun. 18, 1999**

DESCRIPTION

[51] **LOC (7) Cl.** **26-05**

[52] **U.S. Cl.** **D26/85**

[58] **Field of Search** D26/72, 80-92;
362/404-408, 341, 346, 347, 349, 350,
353, 348

FIG. 1 is a perspective view of a first embodiment of our new design;

FIG. 2 is a side elevational view of the first embodiment;

FIG. 3 is a top plan view of the first embodiment;

FIG. 4 is a bottom plan view of the first embodiment;

FIG. 5 is a perspective view of a second embodiment of our new design;

FIG. 6 is a side elevational view of the second embodiment;

FIG. 7 is a top plan view of the second embodiment; and,

FIG. 8 is a bottom plan view of the second embodiment.

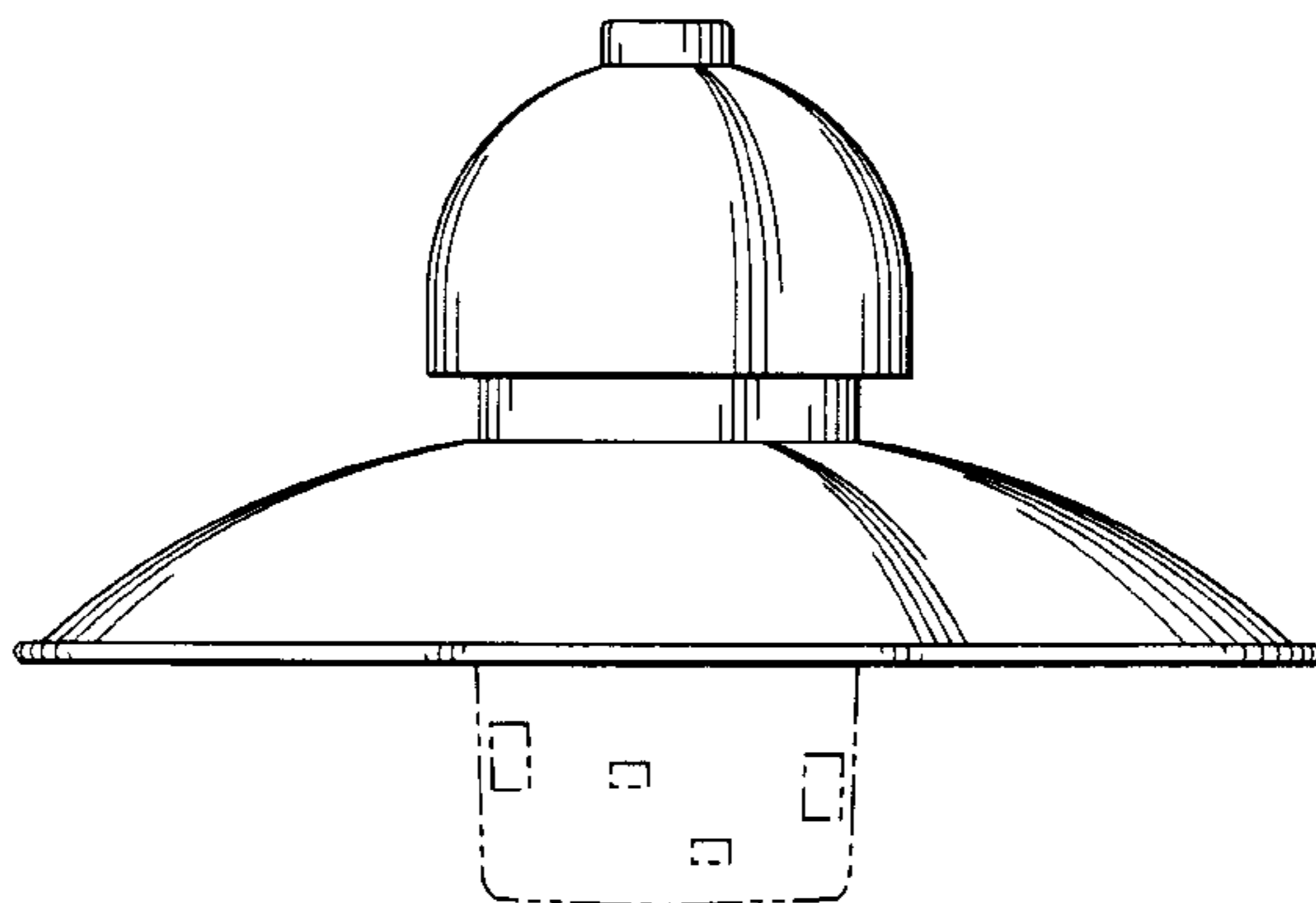
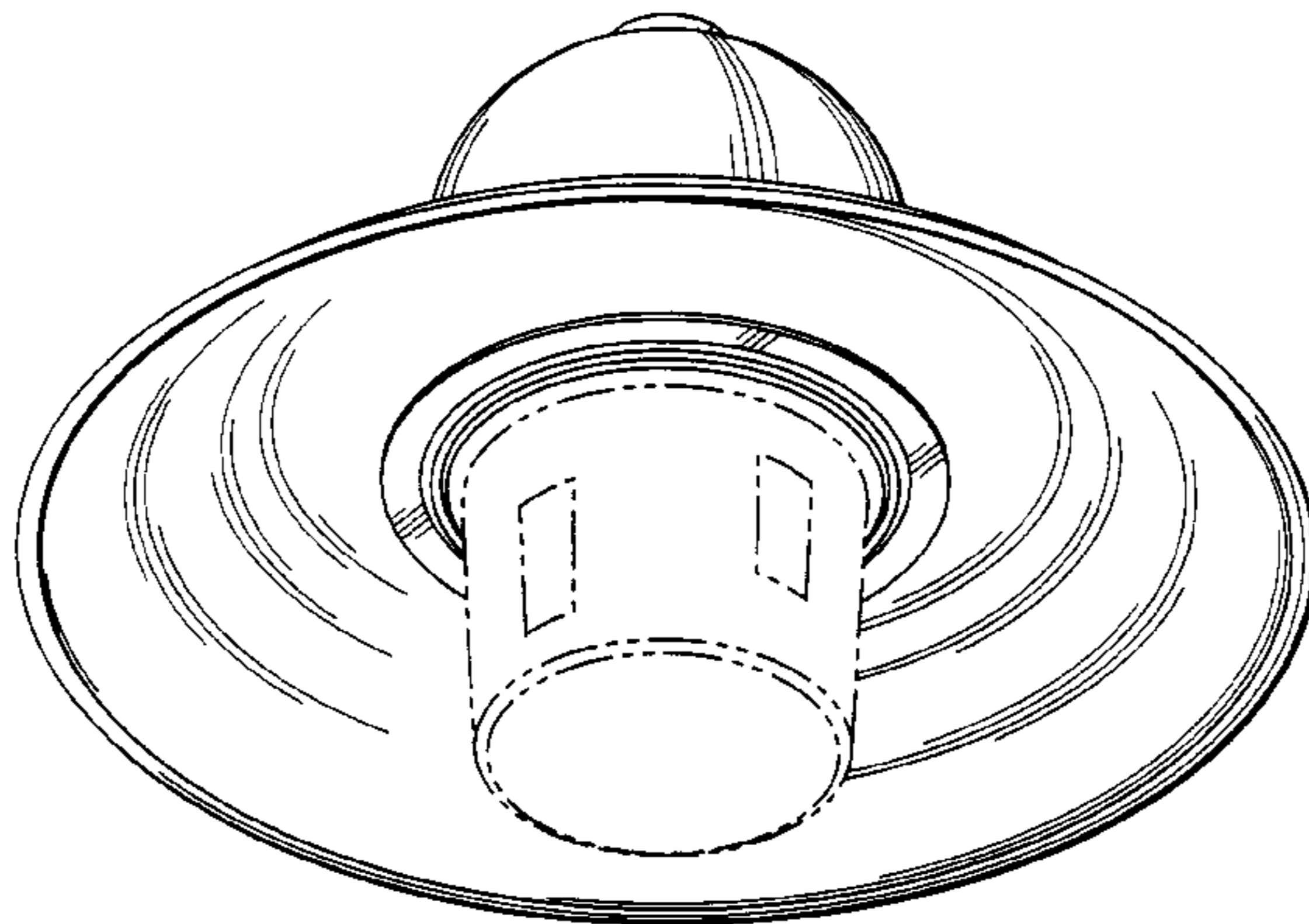
The broken lines are shown for illustrative purposes only and form no part of the claimed design.

[56] References Cited

U.S. PATENT DOCUMENTS

D. 294,871	3/1988	Ewing et al.	D26/85
D. 307,642	5/1990	DiCola	D26/85
D. 330,947	11/1992	Donato	D26/85
1,442,470	1/1923	Doyle	362/341
1,918,828	7/1933	Arras et al.	362/341
2,138,635	11/1938	Hoeverler	362/364

1 Claim, 4 Drawing Sheets



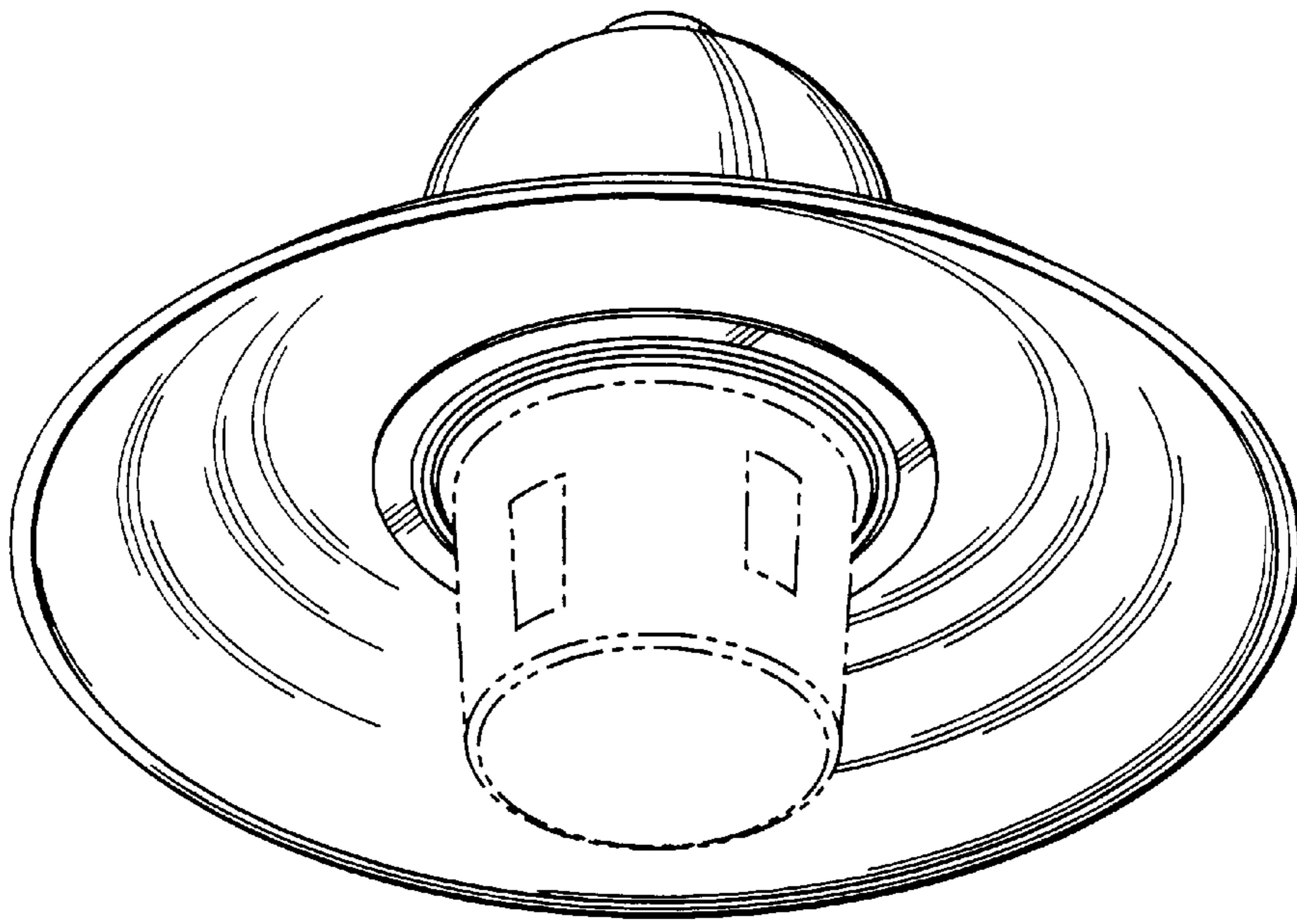


Fig. 1

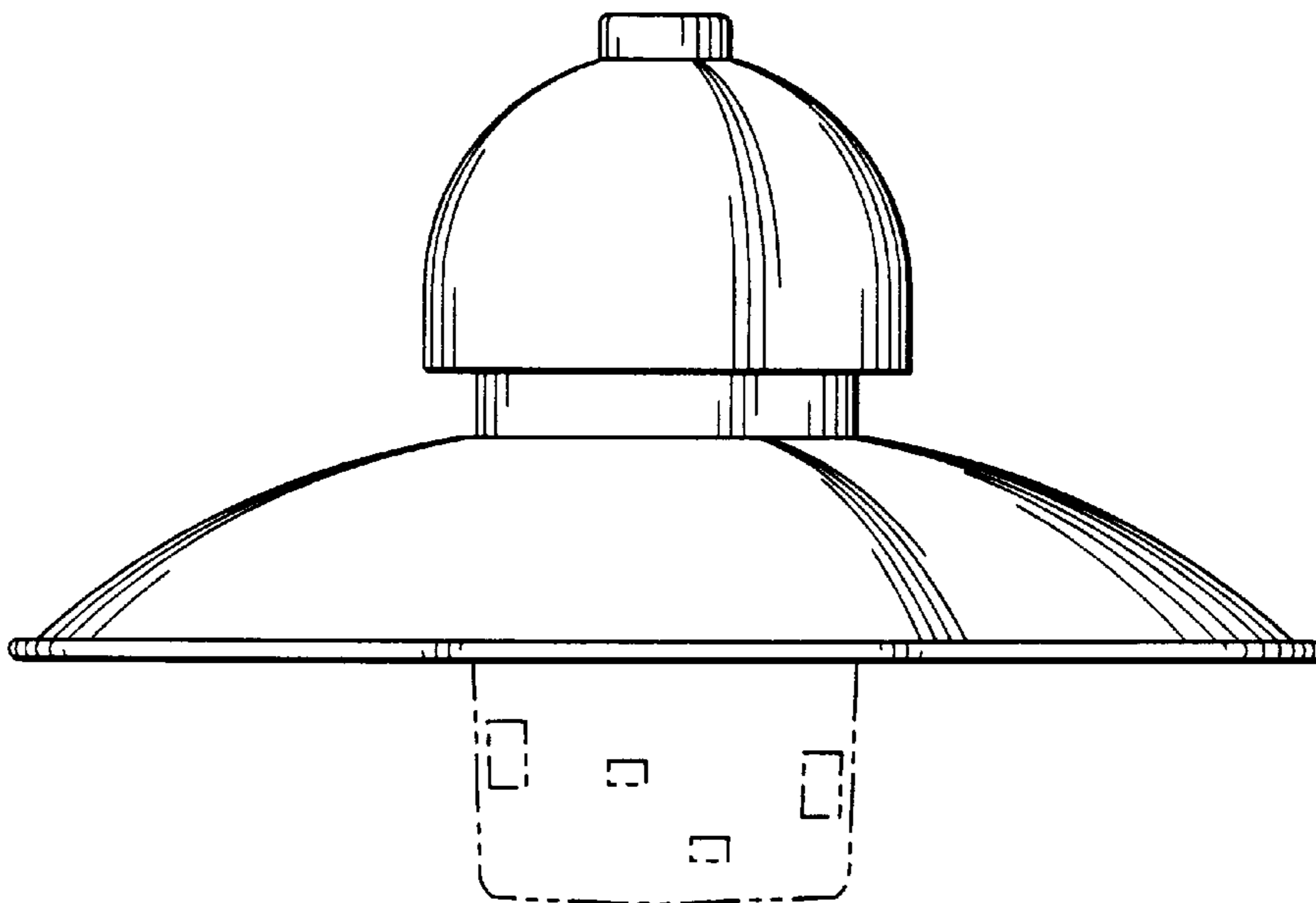


Fig. 2

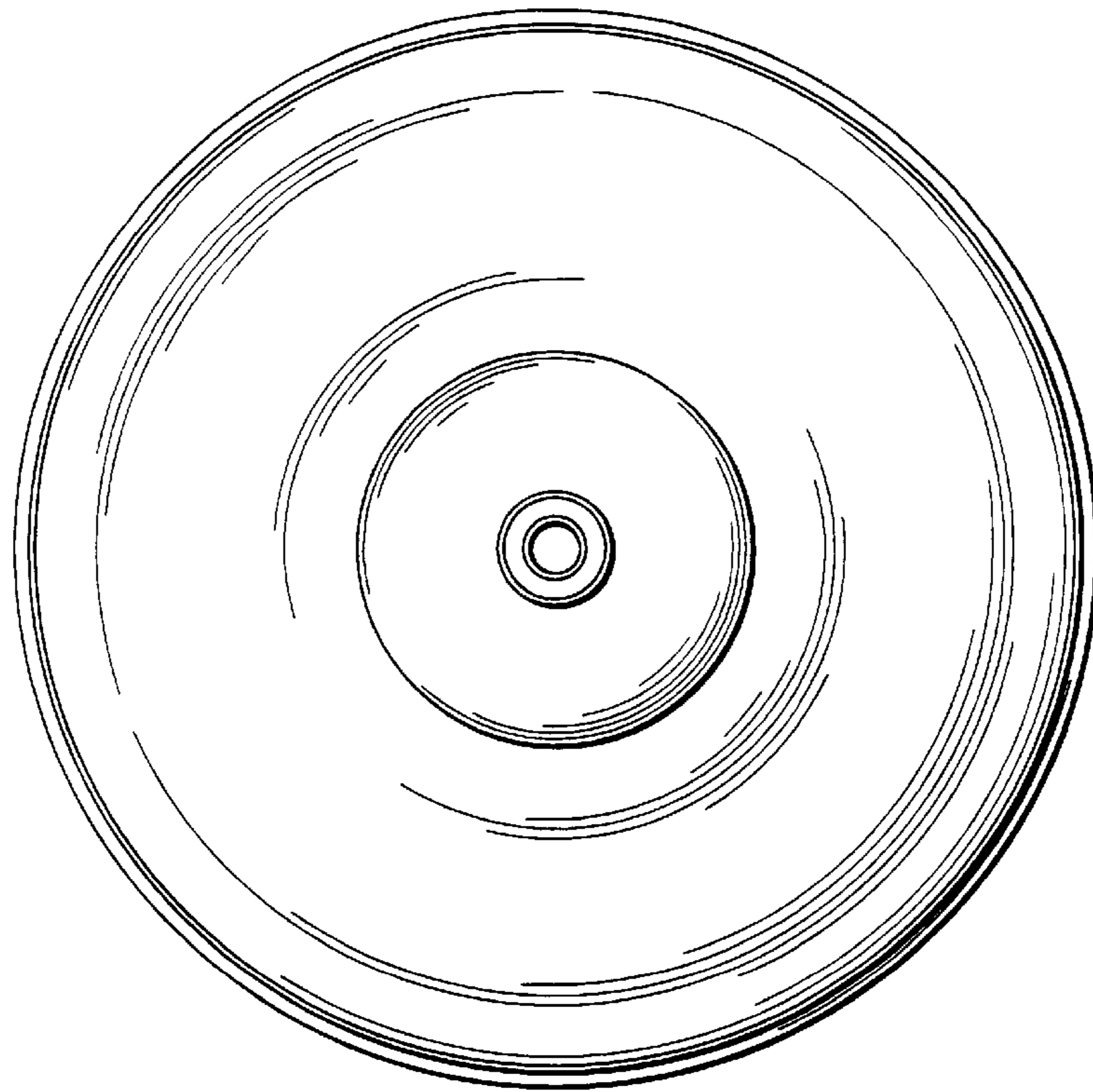


Fig. 3

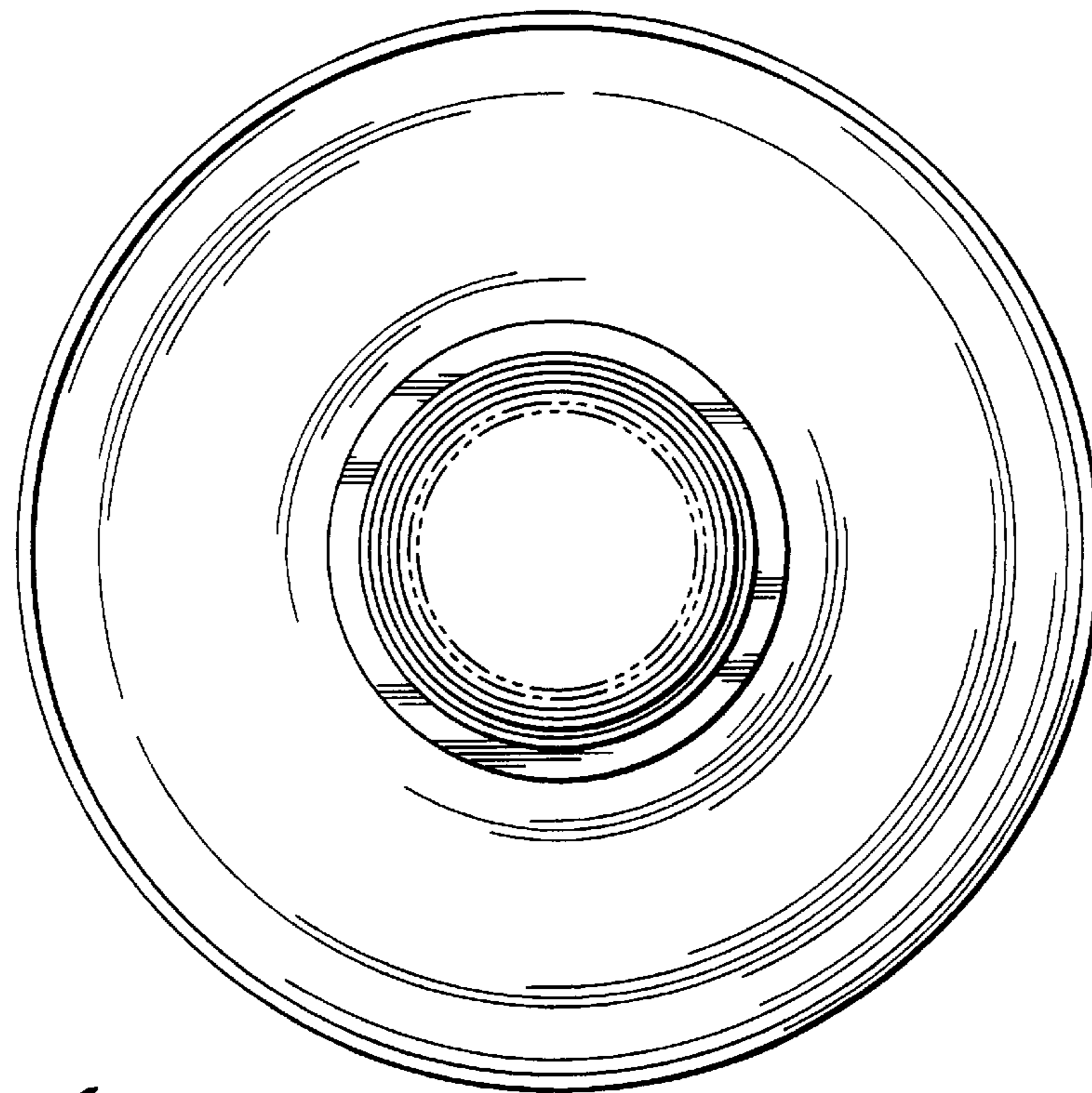


Fig. 4

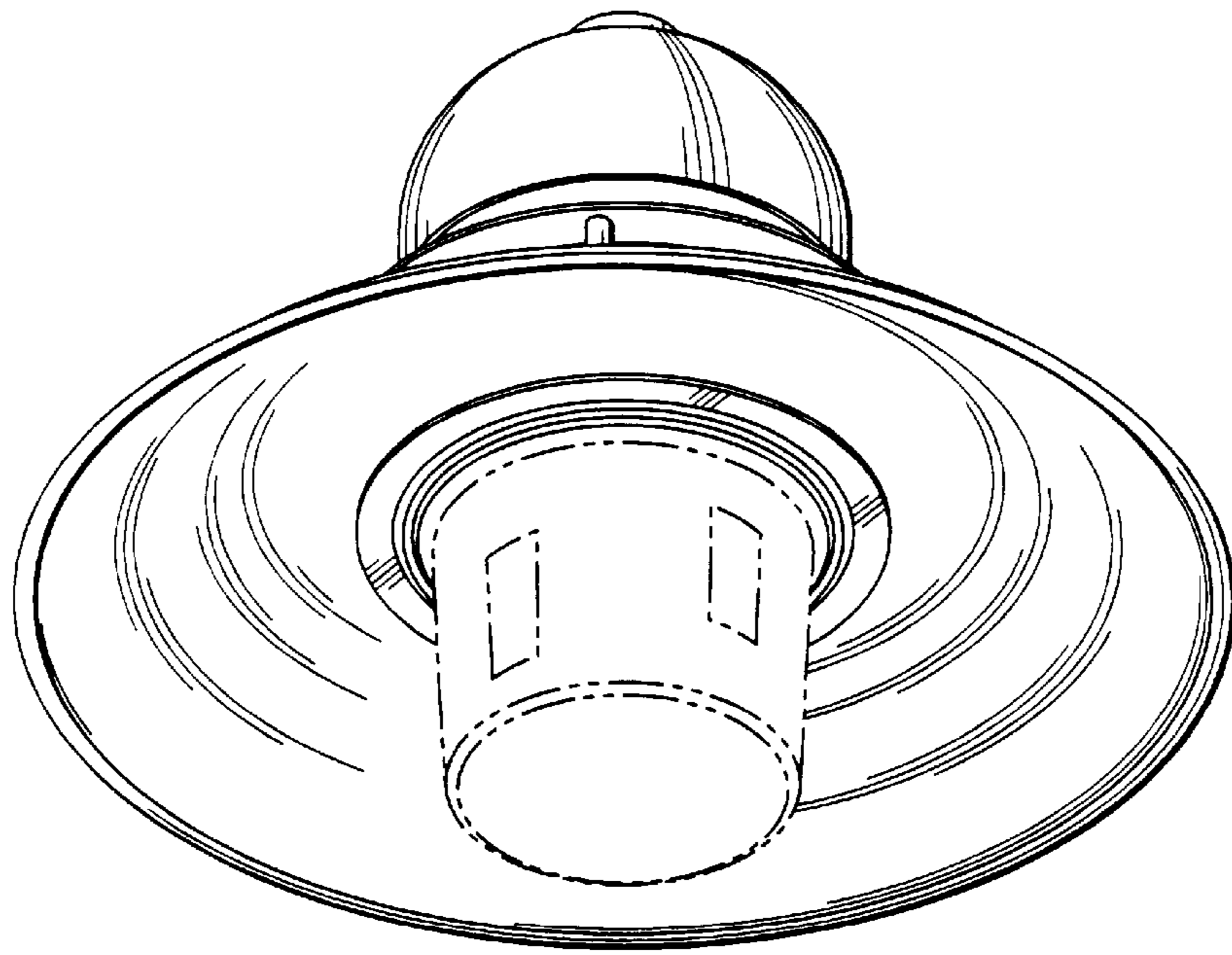


Fig. 5

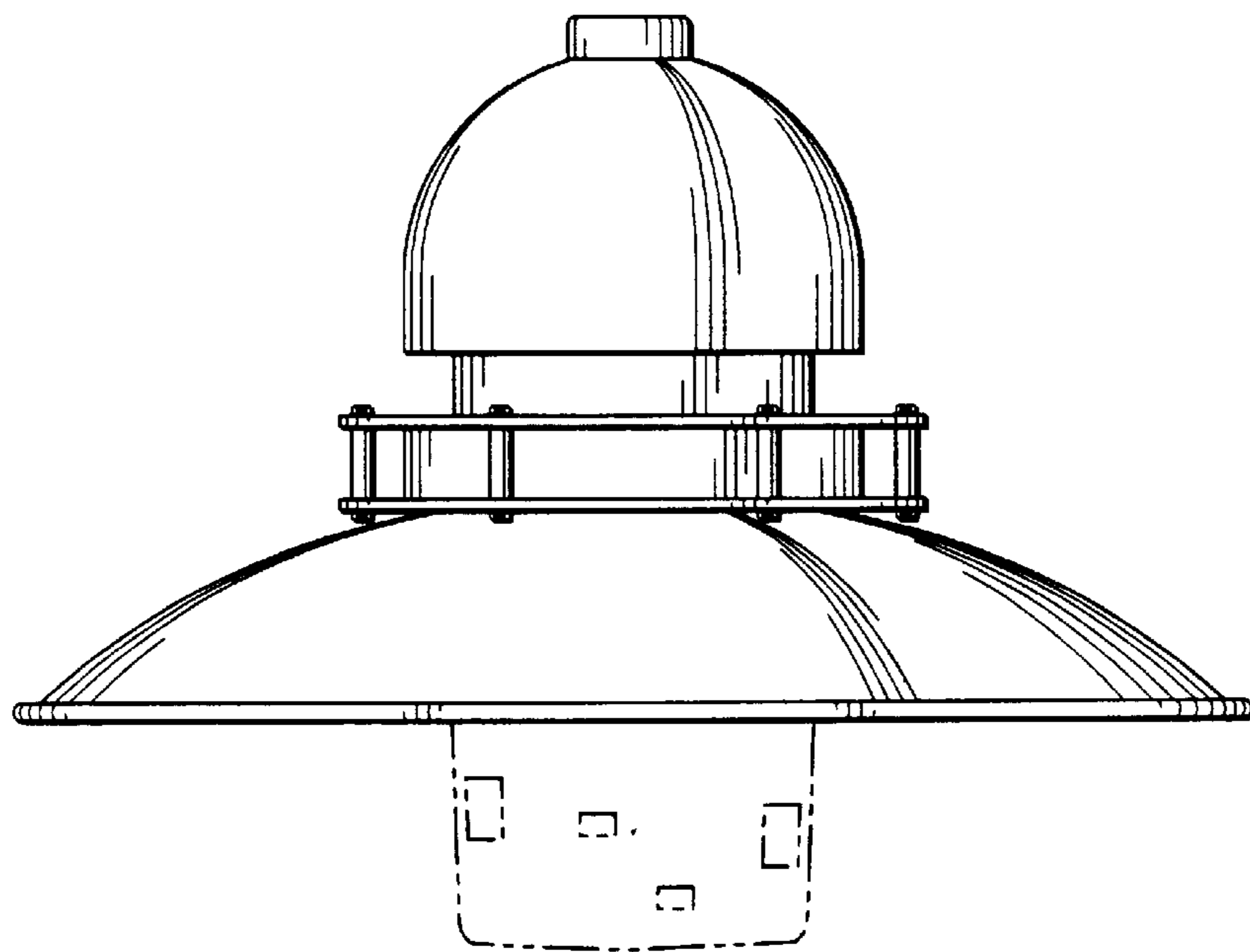


Fig. 6

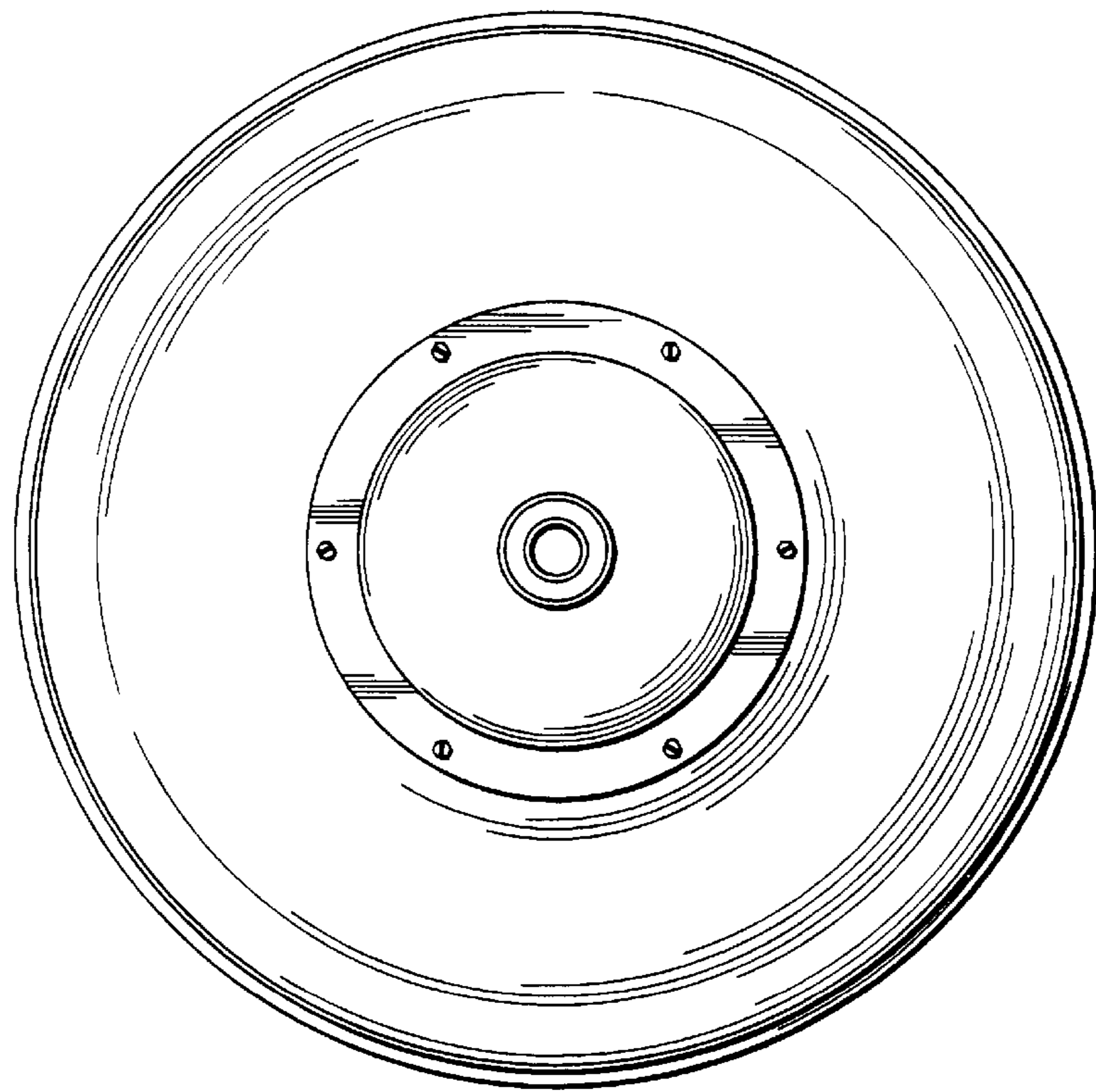


Fig. 7

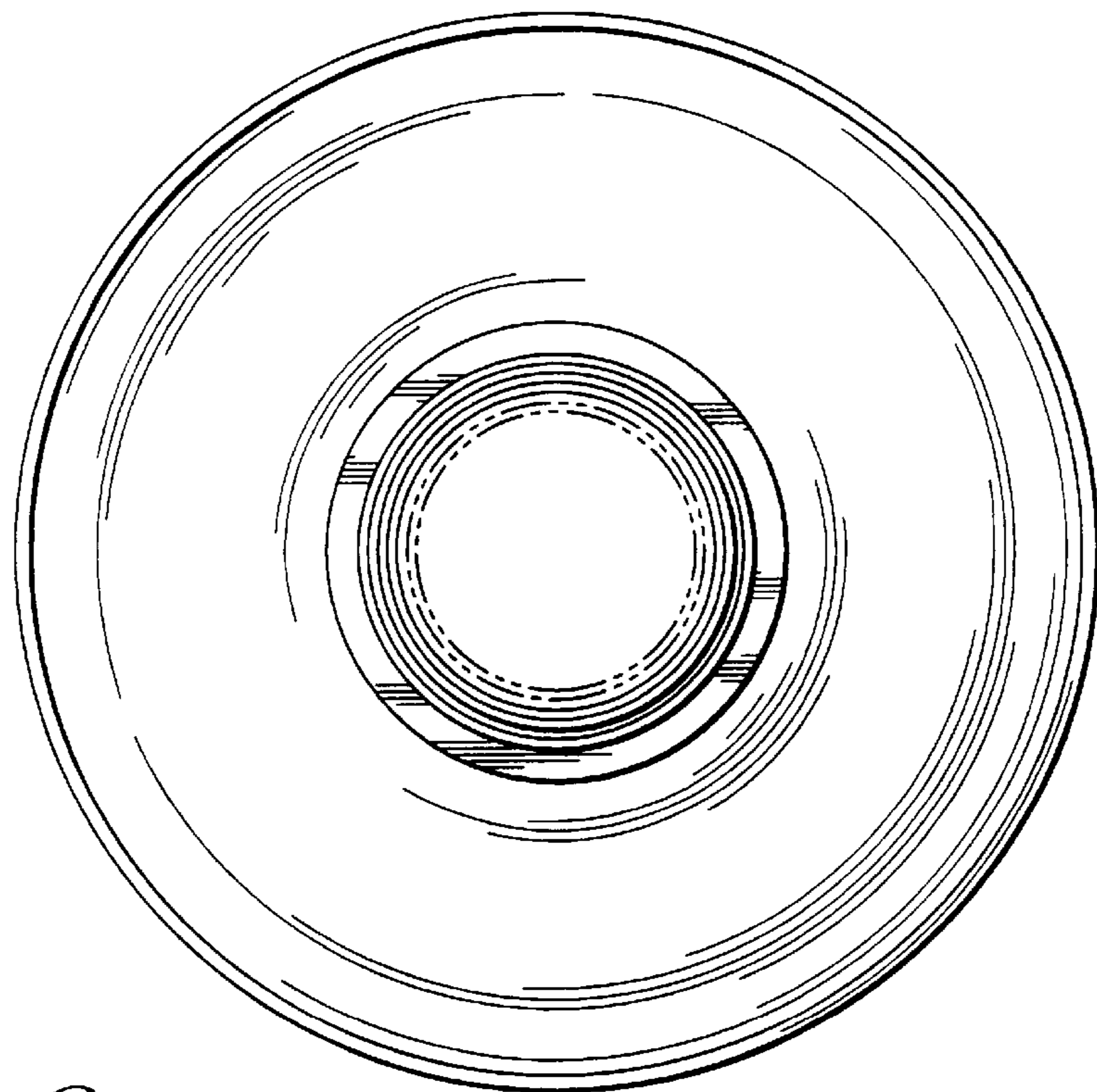


Fig. 8